

BTSP06

— BLUETOOTH SPEAKER —
User Manual

SUMMARY

BTSP06 is a portable Bluetooth stereo speaker that you can bring around on trips, compliant with Bluetooth V2.1+EDR specification, can be easily connected wirelessly to a mobile phone, PC or MP3 player if they are A2DP-enabled. Otherwise, a 3.5mm standard audio jack will provide wired connection to almost any music source.

If want to enjoy all of the functions of the Bluetooth stereo Speaker, your mobile phone or other Bluetooth devices need support the A2DP (Advanced Audio Distribution Profile) and AVRCP (Audio/Video Remote Control Profile) Bluetooth profiles.

To use your BTSP06 Bluetooth stereo Speaker, please follow this operation guide.

WHAT IS IN THE BOX:

1. 3.5mm-3.5mm audio cable
2. USB charging cable
3. User Manual

Specifications:

Rated power: RMS 3W+3W(THD=10%, f=1KHz)

1. Input voltage: 3.7 V
2. Signal-to-noise: >80dB
3. Frequency range: 80 Hz ~ 16 KHz
4. Loudspeaker : 1.5" 4Ω
5. Operation range: around 10 meters
6. Bluetooth specification: 2.1+EDR

CHARGING THE BATTERY

BTSP06 has an internal, no removable, rechargeable battery. Do not attempt to remove the battery from the device as you may damage the device.

1. For first time use, please fully charge the speaker.
2. Plug the charger into the electrical outlet and put the 3.5mm DC plug into the charging socket of the speaker.
3. When the charger is connected, the indicator light is solid red during charging. Charging the battery fully may take up to 3 hours.
4. When the charger is connected, it can be an AC power supply for the speaker.
5. When the battery is fully charged, the red indicator light turns off and the blue indicator will solid light. Please disconnect the charger from the speaker and the wall outlet.
6. When the speaker is powered on and battery power is low, the speaker will notify you with beeps. The indicator light will turn red.

BATTERY INFORMATION

Your device is powered by a chargeable battery. The full performance of a new battery is achieved only after two or three complete charge and discharge cycles. The battery can be charged and discharged hundreds of times, but it will eventually wear out.

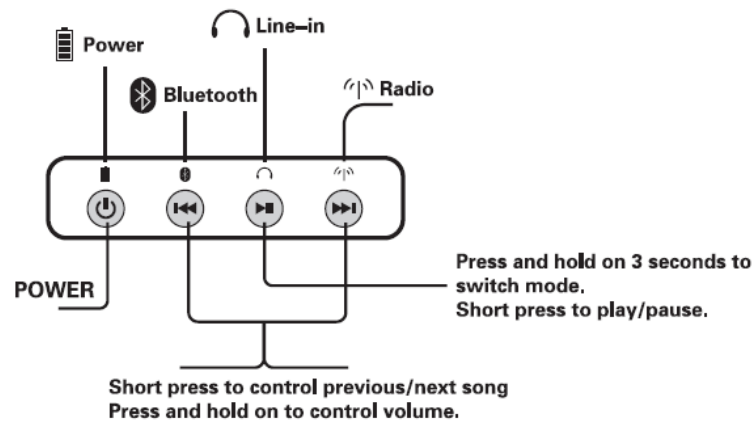
Unplug the charger from the electrical plug and the device when not in use. Do not leave a fully charged battery connected to a charger, since overcharging may shorten its lifetime. If left unused, a fully charged battery will lose its charge over time.

Important:

It is recommended that you fully charge the speaker before leaving it unused for a long time. To prevent overdischarge and endanger the battery, you are recommended to fully charge the speaker every 2 months.

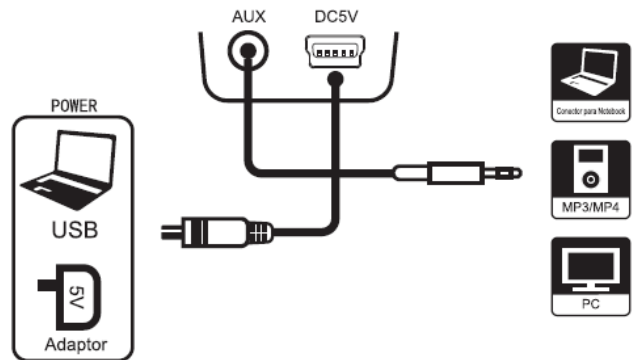
4

Instructions:



1. "▶▶": Long press (3 seconds): Volume up; Short press: Next
2. "◀◀": Long press (3 seconds): Volume down; Short press: Previous

5



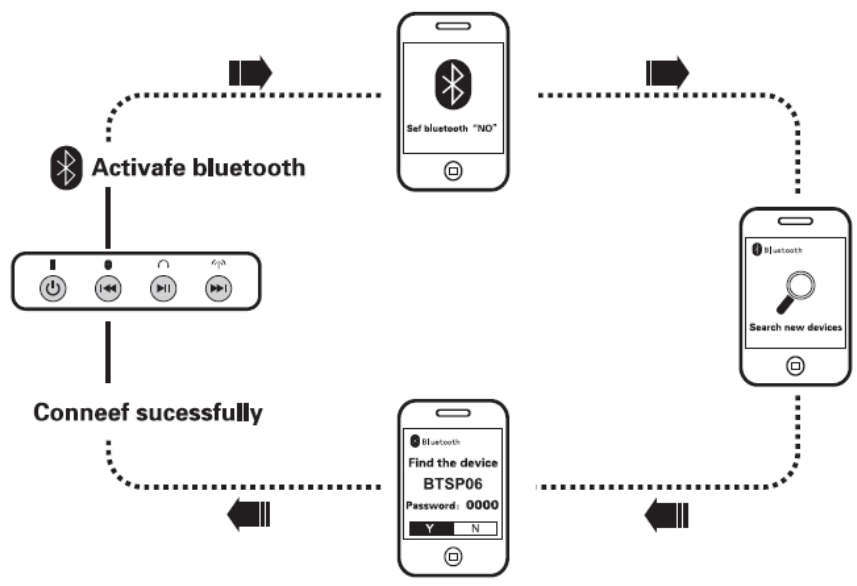
3. “⏻”: Turn on/Turn off.

4. “⏸/▶”: Pause/Play/Mode Switch.

5. Indicator:

- Power indicator.
- Bluetooth .

- ⤴ Line -IN.
- 📶 FM Radio .



Tips:
 Provided you set the Bluetooth power to “On” , after the initial connection has been made, the Bluetooth device will automatically re-connect to the Speaker.

PAIRING THE SPEAKER TO YOUR BLUETOOTH DEVICE FOR WIRELESS OPTION:

NoTE:Your device must be Bluetooth enable in order to continue with wireless pairing process.If your device is not Bluetooth enable or compatible,please proceed to step"C".

- 1.Make certain the battery is fully charged.
2. Turn on your device Bluetooth option and make certain that it is Bluetooth enabled.
3. Turn on the power, you will hear the activation sound confirming the unit powered on. The power LED illuminates with flashing blue .
4. Your electronic device will detect the Bluetooth device and identify it as" BTSP06 "
5. Enter a pin code"0000" After a short period of time the speaker will be paired(connected) to your Bluetooth device and broadcast the music.
6. Adjust the volume as required to play your music
7. To discontinue with pairing, you could simply turn off the speaker power or turn OFF your device Bluetooth option.

8

C. CONNECTING MP3,IPHONE,IPOD,AND OTHER AUDIO DEVICE WITH STANDARD AUDIO PORT:

1. Connect the Line-in cable to the Line-in audio port. Connect the other end of the cable to the iPhone/iPod/MP3 or any audio device.
2. Position the speaker on a flat level surface.
3. Turn on the Audio device volume and adjust the volume as required to play your music.
4. Depress the Power button to hear your music playing on the Sound System.
5. Use the volume buttons on the Sound System to adjust the volume to the desired level.

Trouble Shooting:

- | | |
|-----------------|--|
| No power | If no, check whether the internal Li-ion is charged.
Make sure the power switch is set to ON position. |
| No Sound | Make sure volume control on sound system is adjusted properly
Make sure volume control on MP3 player is adjusted properly
Make sure 3.5mm audio jack is connected properly . |

9

TROUBLESHOOTING

If you can not connect the speaker to the mobile phone or other Bluetooth device, please try the following steps:

1. Ensure the speaker is charged fully and it is paired with your mobile phone.
2. Ensure the speaker is not connected with other Bluetooth device.
3. Ensure you're mobiles Bluetooth feature is activated.
4. Ensure the speaker is within a maximum of 10 meters of your mobile and there is no obstruction, such as walls or other electronic devices in between.

SAFETY AND GENERAL INFORMATION

1. Please read this manual carefully and follow all instructions.
2. To avoid any damage or malfunction to the unit do not drop unit from high places.
3. Keep unit away from humidity, water and any other liquid. If the unit is exposed to water, moisture, or another liquid directly, then do not operate the speaker in order to avoid risk of electrical shock, explosion, or damage to the unit.

10

4. Do not place or keep the unit near heat sources such as direct sun light, radiators, stoves or other apparatus which produce heat. It may cause explosion, degrade performance and/or reduce battery life.
5. Do not modify, repair, or disassemble unit. Battery may explode.
6. Do not place the heavy objects on the unit.
7. Use only the supplied and approved charger.
8. Replacement or service must be done by qualified service center or manufacturer.

CAUTIONS: ELECTRIC SHOCK HAZARD

The battery pack used in this device may present a risk of fire or chemical burn if mistreated. Do not incinerate or disassemble, battery pack may explode and release toxic materials.

11

FCC & IC STATEMENT

This device complies with part 15 of the FCC Rules. Operation is subject to the following two conditions:

1. This device may not cause harmful interference, and
2. This device must accept any interference received, including interference that may cause undesired operation.

Note: The manufacturer is not responsible for ANY interference, for example RADIO or TV interference, caused by unauthorized modifications to this equipment. Such modifications could void the user's authority to operate the equipment.

DECLARATION OF CONFORMITY FOR EU

This product is CE marked according to the provision of the R&TTE Directive (99/5/EC). Declares that this product is in compliance with the essential requirements and other relevant provisions of Directive 1999/5/EC.

12

MADE IN CHINA