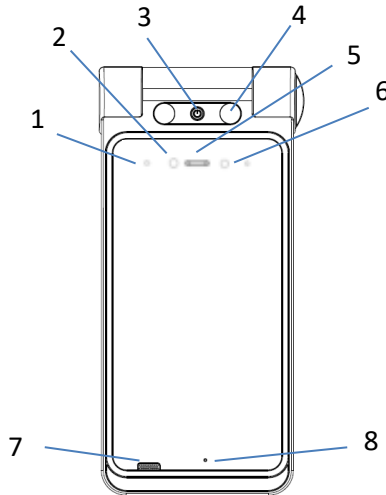


DRAFT

Inari 6 Quick Start Guide

Inari features, buttons & interfaces

Front



1 Charging indicator LED

OFF	not connected to charger
ORANGE	charging
GREEN	connected and fully charged
RED	charge fault

2 Front camera

3 On / Off Button

Push it once to start the tablet; push it again to enable the sleep mode. Push and hold it to shut down the device.

4 Volume key or programmable buttons

Volume: left side to reduce volume, right side to increase volume
Buttons can be also programmed for instance to control scanner

5 Front receiver

6 Ambient Light Sensor & proximity sensor

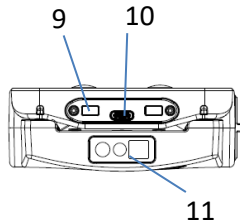
ALS recognizes the ambient light and adjusts the display brightness if enabled in the operating system; PS recognizes if device is held to ear or in pocket

7 Front microphone outlet

8 Front speaker

DRAFT

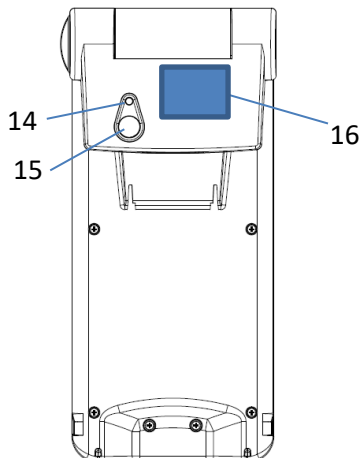
Bottom side Short Flip



-
- 9** Charging pads
 - 10** USB-C
 - 11** 2D scanner (optional)¹
-

¹Tablet available with or without 2D scanner

Rear view Short Flip



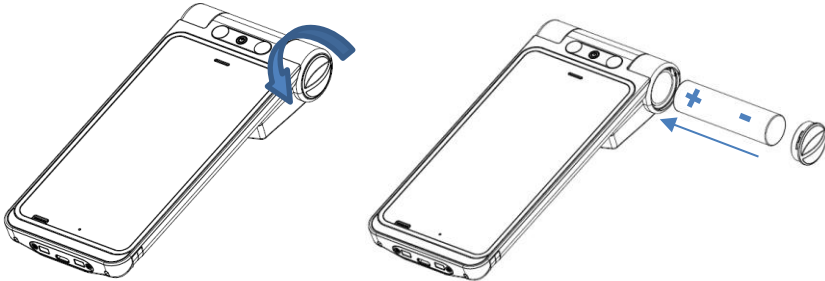
-
- 14** Camera flash LED¹
 - 15** 8MP camera for high resolution images & video (optional)¹
 - 16** Antenna position
-

¹Tablet available with or without 8MP camera

DRAFT

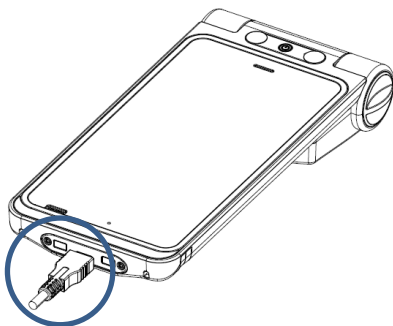
Replacing Battery / Adding payment terminal

To replace the battery, unscrew the battery lid by rotating the lid counterclockwise. Remove the empty battery and replace it with a new one. Please pay attention to the insertion direction which is shown in the graphic below.

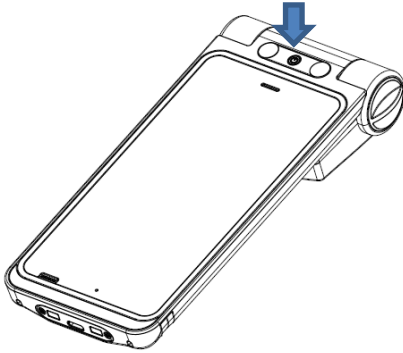


Using the Device for the first time

1. Connect power supply for the first time and make sure battery is fully charged before disconnecting.



2. Press the power button



3. Follow the instructions in the operating system to complete the setup

Troubleshooting

In case devices freezes and you need to do a hard reset, press and hold the power button for approx. 14 seconds. Device will be turned off now.

Connecting USB3.0 devices while being connected to a WLAN network requires it to be a 5GHz connection to maintain it. 2.4GHz networks will be disconnected on the Inari 6 side while USB3.0 devices are in use.

Important Product and Safety information

- Do not drop, bend or twist your tablet. This can break tablet display glass, internal circuit boards or mechanics. If the glass breaks, do not touch the glass parts of the device or attempt to remove the broken glass from the device. Stop using the device until the glass is replaced by qualified service personnel.
- Do not try to disassembly your tablet. This may damage the device.
- Operate your device in a place where temperature is between -10°C and +50°C.
- Charge your device with the supplied charger in a place where temperature is between +10°C and +45°C.
- Store your device in a place where temperature is between -20°C and +60°C.
- This product is equipped with USB-C connector, intended to be supplied by certified power supply capable of providing 5V-12V according to USB specification
- For charging the socket-outlet shall be installed near the equipment and shall be easily accessible.
- Protect your device from water and moisture intake. Keep connector doors closed when not in use to prevent water and moisture intake.
- Use only soft, clean and dry lint-free cloth to clean your device.
- Keep the unit and accessories away from small children.
- Switch off your device before boarding to an aircraft.
- Switch off your device in any area with a potentially explosive atmosphere.
- Your device meets guidelines for exposure to radio waves (SAR, Specific Absorption Rate) when kept in a close distance to your body.
- **Use only charger delivered with your tablet.**

DRAFT

- **Power rating main battery inside flip hinge: 3.6V --- 4.8A**
- **Power rating core battery: 3.8V --- 2.25A**
- Do not disconnect charger by pulling the cord.
- Do not use damaged power cords or plugs.
- **Save energy.** You can save energy by doing following.
 - Close unused applications and data connections.
 - Decrease screen brightness and sound volume.
 - Deactivate unnecessary sounds like touch panel sound.
 - Disconnect your charger from mains outlet when charger is not needed.
 - Do not keep unnecessary accessories connected in your device.
- **Recycle.** Return your used electronic units to dedicated collection points. Please note that your tablet has a battery, so it is not allowed to be disposed to normal household waste and battery requires separate recycling.
- **Replaceable battery safety**
 - Batteries have life cycles. If the time that the battery powers equipment becomes much shorter than usual, the battery life might be at the end.
 - Fully charge the battery at least every 6 months.
 - Stop using the tablet if abnormal heat, order, discoloration, deformation, or abnormal condition is detected during use, charge, or storage.
 - Keep the device away from heat (battery temperature not to exceed 60°C).
 - Do not throw battery into fire, it may be exploded.
 - Do not soak the battery with liquid like water, tea, coffee etc.
 - Do not hit, bend, deform or drop the battery.
 - Do not pierce battery with a sharp object such as a needle, etc.
 - The battery should not have liquid from electrolyte flowing, but in case the electrolyte come into contact with eyes, don't rub your eyes. Wash your eyes well with clean water and go to see a doctor immediately. In case the electrolyte come into contact with your skin, wash it well with clean water.
 - Do not externally short-circuit the battery. If externally short-circuited, the battery may be heated, ignited or broken.
 - There is a risk of explosion if you replace the battery with an incorrect type. Only use the correct battery type for this device.
 - Dispose of battery needs to be done according to instructions above.

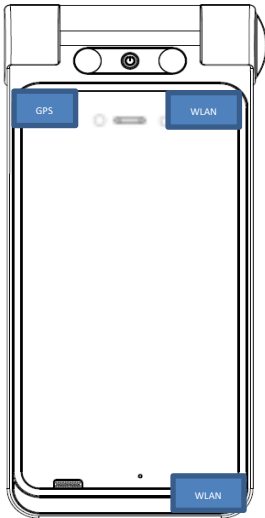
Warning Statements

To prevent possible hearing damage, do not listen at high volume levels for long periods.



Antenna positions

Your device meets guidelines for exposure to radio waves (SAR, Specific Absorption Rate) when kept in a close distance to your body. It is recommended to learn the antenna positions as mentioned below and not to touch or bring your body close to these antenna areas. Antenna areas are highlighted in below pictures.



Conformity Declarations

Depending on the actual model, following conformity / compliance statements are valid. Please check the type label of your device for further information.

EU Declaration of Conformity

Hereby, Aava Mobile declares that the radio equipment Inari 6 is in compliance with Directive 2011/65/EU and 1999/5/EC or 2014/53/EU (2014/53/EU supersedes 1999/5/EC from 13th June 2017). The full text of the EU Declaration of Conformity is available at the following internet address: <http://www.aavamobile.com/doc>

CE Marking and European Economic Area (EEA)

The use of RLAN's, for use throughout the EEA, have the following restrictions:

- Maximum radiated transmit power of 100 mW EIRP in the frequency range 2.400 - 2.4835 GHz
- 5.13 - 5.35 GHz is restricted to indoor use only

Bluetooth® Wireless Technology for use through the EEA has the following restrictions:

- Maximum radiated transmit power of 100mW EIRP in the frequency range 2.400 -2.4835 GHz

DRAFT

Wireless Devices Country Approvals

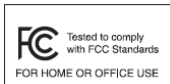
Regulatory markings, subject to certification, are applied to the device signifying the radio(s) are approved for use in the following countries: United States, Canada, and Europe¹. Please refer to the Aava Mobile Declaration of Conformity (DoC) for details of other country markings. This is available at <http://www.aavamobile.com/doc>.

¹ Europe includes: Austria, Belgium, Bulgaria, Croatia, Czech Republic, Cyprus, Denmark, Estonia, Finland, France, Germany, Greece, Hungary, Iceland, Ireland, Italy, Latvia, Liechtenstein, Lithuania, Luxembourg, Malta, Netherlands, Norway, Poland, Portugal, Romania, Slovak Republic, Slovenia, Spain, Sweden, Switzerland and the United Kingdom.

The device supports WLAN 5150-5350 MHz with indoor usage restrictions.



FCC Compliance Statement



Note: This equipment has been tested and found to comply with the limits for a Class B digital device, pursuant to Part 15 of the FCC rules. These limits are designed to provide reasonable protection against harmful interference in a residential installation. This equipment generates, uses and can radiate radio frequency energy and, if not installed and used in accordance with the instructions, may cause harmful interference to radio

communications. However there is no guarantee that interference will not occur in a particular installation. If this equipment does cause harmful interference to radio or television reception, which can be determined by turning the equipment off and on, the user is encouraged to try to correct the interference by one or more of the following measures:

- Reorient or relocate the receiving antenna
- Increase the separation between the equipment and receiver
- Connect the equipment into an outlet on a circuit different from that to which the receiver is connected
- Consult the dealer or an experienced radio/TV technician for help.

Radio Transmitters (Part 15)

This device complies with Part 15 of the FCC Rules. Operation is subject to the following two conditions: (1) this device may not cause harmful interference, and (2) this device must accept any interference received, including interference that may cause undesired operation.

Changes or modifications not expressly approved by the party responsible for compliance could void the user's authority to operate the equipment.

FCC type approval ID: 2ABVH-INARI61

RF Exposure Information (SAR)

This model device meets the government's requirements for exposure to radio waves. This device is designed and manufactured not to exceed the emission limits for exposure to radio frequency (RF) energy set by the Federal Communications Commission of the U. S. Government. The exposure standard for wireless devices employs a unit of measurement known as the Specific Absorption Rate, or SAR. The SAR limit set by the FCC is 1.6 W/kg.

Tests for SAR are conducted using standard operating positions accepted by the FCC with the device transmitting at its highest certified level, the actual SAR level of the device while operating can be well below the maximum value. This is because the device is designed to operate at multiple power levels so as to use only the power required to reach the network. In general, the closer you are to a wireless base station antenna, the lower the power output.

While there may be differences between the SAR levels of various devices and at various positions, they all meet the government requirement.

The FCC has granted an Equipment Authorization for this model device with all reported SAR levels evaluated as in compliance with the FCC RF exposure guidelines. SAR information on this model device is on file with the FCC and can be found under the Display Grant section of <http://www.fcc.gov/oet/fccid> after searching on the below:

FCC ID: 2ABVH-INARI61

This device is compliant with SAR for general population / uncontrolled exposure limits in SNAI / IEEE C95.1-1999 and had been tested in accordance with the measurement methods and procedures specified in the Office of Engineering and Technology (OET) Laboratory Division Knowledge Database (KDB), 47 C.F.R. §§ 2.1091 and 2.1093.

Specific Absorption Rate (SAR): 1.17 W/kg

This product has been tested and found to comply with the following standards:

- For the worst case positions, the INARI6 is in compliance with the IC RSS 102 Issue 5 (RSS 102) and Federal Communications Commission (FCC) Guidelines (KDB) 47 C.F.R. §§ 2.1091 and 2.1093 for uncontrolled exposure.
SAR assessment in body worn was conducted with a distance of 15 mm between the housing of the handheld and the flat phantom.
- EM 62311:2008: Assessment of electronic and electrical equipment related to human exposure restrictions for electromagnetic fields (0 Hz – 300 GHz).

Radio Frequency Interference Requirements - Canada

CAN ICES-3 (B)/NMB-3(B)

Radio Transmitters

This device complies with Industry Canada's licence-exempt RSSs. Operation is subject to the following two conditions: (1) This device may not cause interference; and (2) This device must accept any interference, including interference that may cause undesired operation of the device.

Le présent appareil est conforme aux CNR d'Industrie Canada applicables aux appareils radio exempts de licence.

L'exploitation est autorisée aux deux conditions suivantes: (1) l'appareil ne doit pas produire de brouillage, et (2) l'utilisateur de l'appareil doit accepter tout brouillage radio électrique subi même si le brouillage est susceptible d'en compromettre le fonctionnement.

For RLAN Devices:

The use of 5 GHz RLAN's, for use in Canada, have the following restrictions:

- Restricted Band 5.60 - 5.65 GHz

Pour les équipements RLAN:

L'utilisation de la bande RLAN 5 GHz au Canada présente les limitations suivantes :

- Bande restreinte 5.60 - 5.65 GHz

Label Marking: The Term "IC:" before the radio certification only signifies that Industry Canada technical specifications were met.

Étiquette de marquage: Le terme "IC" avant la certification radio signifie que le produit est compatible avec le spécification Industrie Canada.

IC type approval ID: 11875A-INARI61

Radiation Exposure Statement (SAR)

Warning: This equipment complies with SAR for general population / uncontrolled exposure limits in SNAI / IEEE C.951, Federal Communication Commission Office of Engineering and Technology (KDB), 47 C.F.R. §§ 2.1091 and 2.1093, Canada RSS-102, and CENELEC limits for exposure to radio frequency (RF) radiation.

Specific Absorption Rate (SAR) 1.17 W/kg

This device should be installed and operated with minimum distance 15 mm between the radiator & your body.

Énoncé sur l'exposition aux radiations (SAR)

Avertissement : Cet équipement est conforme aux limites d'exposition au rayonnement à fréquence radioélectrique (RF) établies par la Commission internationale

de protection contre les rayonnements non ionisants (ICNIRP), le Federal Communications Commission Office of Engineering and Technology (OET) Laboratory Division Knowledge Database (KDB) 47 C.F.R. §§ 2.1091 and 2.1093, la norme CNR-102 d'Industrie Canada et le règlement CENELEC.

Débit d'absorption spécifique (DAS) : 1.17 W/kg

Cet appareil doit être installé et utilisé avec une distance minimale de 15 mm entre le radiateur et votre corps.

802.11a Radio Precaution Statement

- The device for operation in the band 5150-5250 MHz is only for indoor use to reduce the potential for harmful interference to co-channel mobile satellite systems;
- *Les dispositifs fonctionnant dans la bande 5 150-5 250 MHz sont réservés uniquement pour une utilisation à l'intérieur afin de réduire les risques de brouillage préjudiciable aux systèmes de satellites mobiles utilisant les mêmes canaux;*

802.11 Radio Precaution statement

Users are responsible for configuring the channels of operation that comply with their country regulatory standards. A Wireless Network Administrator should review the operating restrictions detailed within the Access Point installation manual.



Waste Electrical and Electronic Equipment (WEEE)

English: For EU Customers: All products at the end of their life must be returned to Aava Mobile for recycling. For information on how to return product, please go to: <http://www.aavamobile.com/weee>.

Français: Clients de l'Union Européenne: Tous les produits en fin de cycle de vie doivent être retournés à Aava Mobile pour recyclage. Pour de plus amples informations sur le retour de produits, consultez : <http://www.aavamobile.com/weee>.

Español: Para clientes en la Unión Europea: todos los productos deberán entregarse a Aava Mobile al final de su ciclo de vida para que sean reciclados. Si desea más información sobre cómo devolver un producto, visite: <http://www.aavamobile.com/weee>.

Български: За клиенти от ЕС: След края на полезния им живот всички продукти трябва да се връщат на Aava Mobile за рециклиране. За информация относно връщането на продукти, моля отидете на адрес: <http://www.aavamobile.com/weee>.

Deutsch: Für Kunden innerhalb der EU: Alle Produkte müssen am Ende ihrer Lebensdauer zum Recycling an Aava Mobile zurückgesandt werden. Informationen zur Rücksendung von Produkten finden Sie unter <http://www.aavamobile.com/weee>.

Italiano: per i clienti dell'UE: tutti i prodotti che sono giunti al termine del rispettivo ciclo di vita devono essere restituiti a Aava Mobile al fine di consentirne il riciclaggio. Per informazioni sulle modalità di restituzione, visitare il seguente sito Web: <http://www.aavamobile.com/weee>.

Português: Para clientes da UE: todos os produtos no fim de vida devem ser devolvidos à Aava Mobile para reciclagem. Para obter informações sobre como devolver o produto, visite: <http://www.aavamobile.com/weee>.

Nederlands: Voor klanten in de EU: alle producten dienen aan het einde van hun levensduur naar Aava Mobile te worden teruggezonden voor recycling. Raadpleeg <http://www.aavamobile.com/weee> voor meer informatie over het terugzenden van producten.

Polski: Klienci z obszaru Unii Europejskiej: Produkty wycofane z eksploatacji należy zwrócić do firmy Aava Mobile w celu ich utylizacji. Informacje na temat zwrotu produktów znajdują się na stronie internetowej <http://www.aavamobile.com/weee>.

Čeština: Pro zákazníky z EU: Všechny produkty je nutné po skončení jejich životnosti vrátit společnosti Aava Mobile k recyklaci. Informace o způsobu vrácení produktu najdete na webové stránce: <http://www.aavamobile.com/weee>.

Eesti: EL klientidele: kõik tooted tuleb nende eluea lõppedes tagastada taaskasutamise eesmärgil Aava Mobile'ile.

Lisainformatsiooni saamiseks toote tagastamise kohta külastage palun aadressi: <http://www.aavamobile.com/weee>.
Magyar: Az EU-ban vásárlóknak: Minden tönkrement terméket a Aava Mobile vállalathoz kell eljuttatni újrahasznosítás céljából. A termék visszajuttatásának módjával kapcsolatos tudnivalóért látogasson el a <http://www.aavamobile.com/weee> weboldalra.

Svenska: För kunder inom EU: Alla produkter som uppnått sin livslängd måste returneras till Aava Mobile för återvinning. Information om hur du returnerar produkten finns på <http://www.aavamobile.com/weee>.

Suomi: Asiakkaat Euroopan unionin alueella: Kaikki tuotteet on palautettava kierrätettäväksi Aava Mobile-yhtiöön, kun tuotetta ei enää käytetä. Lisätietoja tuotteiden palauttamisesta on osoitteessa <http://www.aavamobile.com/weee>.

Dansk: Til kunder i EU: Alle produkter skal returneres til Aava Mobile til recirkulering, når de er udtjent. Læs oplysningerne om returnering af produkter på: <http://www.aavamobile.com/weee>.

DRAFT

Ελληνικά: Για πελάτες στην Ε.Ε.: Όλα τα προϊόντα, στο τέλος της διάρκειας ζωής τους, πρέπει να επιστρέφονται στην Aava Mobile για ανακύκλωση. Για περισσότερες πληροφορίες σχετικά με την επιστροφή ενός προϊόντος, επισκεφθείτε τη διεύθυνση <http://www.aavamobile.com/weee> στο Διαδίκτυο.

Malti: Għal klijenti fl-UE: il-prodotti kollha li jkunu waslu fl-aħħar tal-hajja ta' l-użu tagħhom, iridu jiġu rritornati għand Aava Mobile għar-riċiklaġġ. Għal aktar tagħrif dwar kif għandek tirritorna l-prodott, jekk jogħġbok żur: <http://www.aavamobile.com/weee>.

Românesc: Pentru clienții din UE: Toate produsele, la sfârșitul duratei lor de funcționare, trebuie returnate la Aava Mobile pentru reciclare. Pentru informații despre returnarea produsului, accesați: <http://www.aavamobile.com/weee>.

Slovenski: Za kupce v EU: vsi izdelki se morajo po poteku življenjske dobe vrniti podjetju Aava Mobile za reciklažo. Za informacije o vračilu izdelka obiščite: <http://www.aavamobile.com/weee>.

Slovenčina: Pre zákazníkov z krajín EU: Všetky výrobky musia byť po uplynutí doby ich životnosti vrátené spoločnosti Aava Mobile na recykláciu. Bližšie informácie o vrátení výrobkov nájdete na: <http://www.aavamobile.com/weee>.

Lietuvių: ES vartotojams: visi gaminiai, pasibaigus jų eksploatacijos laikui, turi būti grąžinti utilizuoti į kompaniją „Aava Mobile“. Daugiau informacijos, kaip grąžinti gaminį, rasite: <http://www.aavamobile.com/weee>.

Latviešu: ES klientiem: visi produkti pēc to kalpošanas mūža beigām ir jānogādā atpakaļ Aava Mobile otrreizējai pārstrādei. Lai iegūtu informāciju par produktu nogādāšanu Aava Mobile, lūdzu, skatiet: <http://www.aavamobile.com/weee>.

DRAFT



Aava Mobile Oy
Nahkatehtaankatu 2
FI-90130 Oulu, Finland
Tel.: +358 8 373 800

Aava Mobile US, LLC
84 Peachtree St., NW
Atlanta, GA 30303, USA
Tel.: +1 800 656 3470

Aava Mobile GmbH
Harksheider Str. 3
22399 Hamburg, Germany
Tel.: +49 40 6979 5939

Aava Mobile SAS
390, avenue du Mistral
ZI Athelia IV
13600 La Ciotat, France
Tel.: +33 6 77 46 31 61

www.aavamobile.com

© 2018 Aava Mobile Oy, All rights reserved