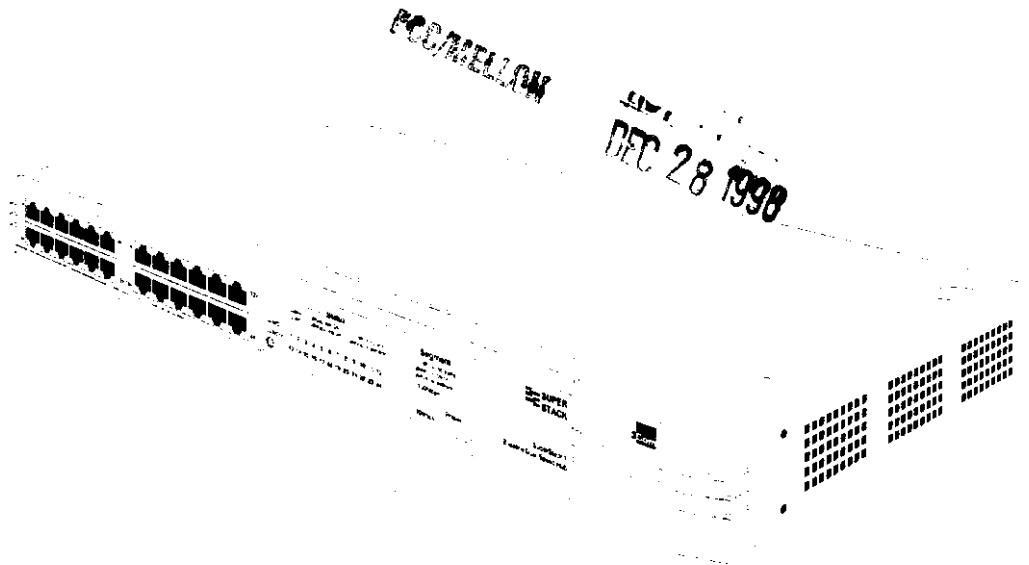


EXHIBIT 7
USER'S MANUAL OF EUT

SuperStack II

3Com
STACK.



SuperStack® II Baseline Dual Speed Hub 12-Port TP (3C16592A) and 24-Port TP (3C16593A) User Guide



INTRODUCTION

The SuperStack® II Baseline Dual Speed Hub is an easy-to-use, 10/100 autosensing Class II hub (repeater). It is ideal for users who want to connect both Ethernet and Fast Ethernet devices (workstations and other equipment) to the same hub.

All ports on the Baseline Dual Speed Hub are half duplex, autosensing 10Mbps and 100Mbps. Each port senses the speed of the connected equipment and operates at the appropriate speed.

The Baseline Dual Speed Hub comes with:

- One power cord for use with the Baseline Dual Speed Hub
- Four full height and two reduced height, self-adhesive rubber pads
- One mounting kit
- A Registration Card for you to fill in and return

The Baseline Dual Speed Hub is suitable for office use where it can be free standing or rack-mounted (in a wiring closet or equipment room).

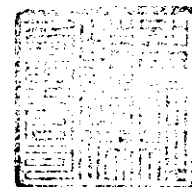
The hub can be powered either from the AC mains supply, or through an optional 3Com® SuperStack II Advanced Redundant Power System (3C16071). Contact your supplier for details.

Network Connections

The Baseline Dual Speed Hub has 12 or 24 shielded RJ-45, 10/100 autosensing ports on the front panel. Each port can be connected to either a 10BASE-T (Ethernet) or a 100BASE-TX (Fast Ethernet) device. Internally, the hub has two repeater segments (10Mbps and 100Mbps) which are linked by a switch, allowing connected 10Mbps and 100Mbps devices to communicate.

You can connect a 10BASE-T or 100BASE-TX hub or switch to the Baseline Dual Speed Hub.

=> GRAPHIC TO COME FROM MARKETING

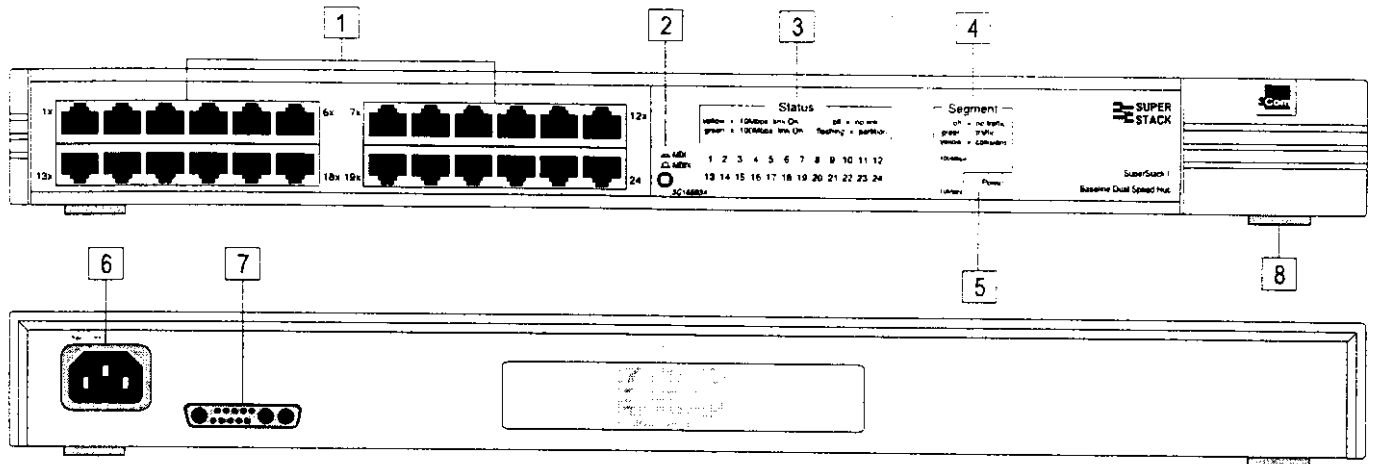


DUA1659-2AAA02

FCC ID = HED3C165931



HOW TO USE THE BASELINE DUAL SPEED HUB



Numbered elements in this diagram refer to numbered sections in the text. A 24-port hub is shown.

Front Panel

12 or 24 RJ-45 10/100 Ports

You can use these ports to connect 10BASE-T or 100BASE-TX devices (workstations and other equipment) to the Baseline Dual Speed Hub. As the ports are autosensing, the speed of the ports is determined automatically when you connect your equipment.



WARNING: RJ-45 ports. These are shielded RJ-45 data sockets. They cannot be used as telephone sockets. Only connect RJ-45 data connectors to these sockets.

AVERTISSEMENT: Les ports RJ-45. Ceux-ci sont les prises de courant de données RJ-45 protégées. Ils ne peuvent pas être utilisés comme prises de courant téléphoniques.

Brancher seulement les connecteurs RJ-45 de données à ces prises de courant.

WARNUNG: RJ45 Ports. Hierbei handelt es sich um abgeschirmte RJ-45 Datenbuchsen, die nicht als Telefonbuchsen verwendbar sind. Nur RJ-45 Datensteckverbinder an diese Buchsen anschließen.

Connect one end of the TP (twisted pair) cable to the RJ-45 port on the Baseline Dual Speed Hub and the other end to the appropriate RJ-45 port on the device. Use either shielded or unshielded data cables (with shielded or unshielded jacks) to connect to the devices.



The equipment that is connected to the Baseline Dual Speed Hub must not be set up to operate in full duplex. Set it up to operate as auto-negotiate or half duplex.

10BASE-T

To connect 10BASE-T equipment, use 10BASE-T Category 3 or Category 5 unshielded or shielded (screened) 100 Ohm TP cable.



Category 5 cable should be used with this product in structured wiring environments. This will ensure correct operation of all ports at 10Mbps or 100Mbps.

Ethernet Network Configuration Rules

To remain within IEEE 802.3 10Mbps Ethernet rules, the maximum length of cable between the Baseline Dual Speed Hub and an attached device must not exceed 100m (328ft). If you are connecting multiple hubs in series, ensure that there are no more than four 10Mbps hubs between any two devices on your network, as shown below.

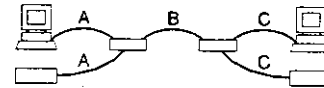


100BASE-TX

To connect 100BASE-TX equipment, use 100BASE-TX Category 5 unshielded or shielded (screened) 100 Ohm TP cable.

Fast Ethernet Network Configuration Rules

To remain within IEEE 802.3 100Mbps Fast Ethernet rules, the maximum length of cable between the Baseline Dual Speed Hub and an attached device must not exceed 100m (328ft). Ensure that there are no more than two 100Mbps hubs between any two devices on your network, and that the total cable distance (A+B+C) between the two devices does not exceed 205m (672.4ft), as shown below.



If you connect two Baseline Dual Speed Hubs together, the link between them operates at 100Mbps.

2 MDI Switch

This switch affects port 12 (3C16592A) or port 24 (3C16593A).

Ports 1-11 (3C16592A) or 1-23 (3C16593A) are fixed as MDIX ports. Each can be connected to a device with an MDI port (such as most workstations) using a normal "straight through" TP cable.

Port 12 or 24 is "switch selectable" using the MDI switch:



MDIX

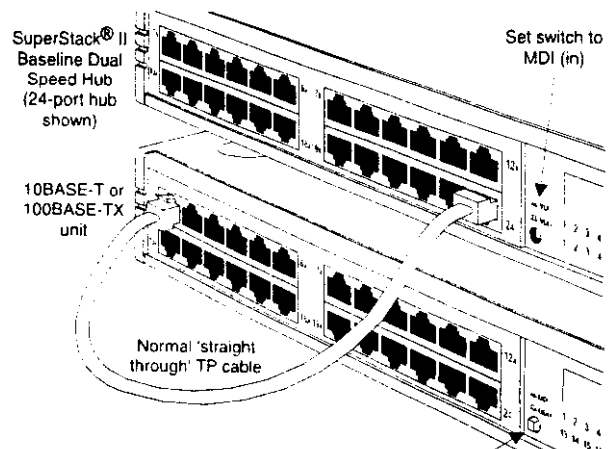
Out In this position, port 12 or 24 is an MDIX port. It can be connected to a device with an MDI port (such as most workstations) using a normal "straight through" TP cable.



MDI

In In this position, port 12 or 24 is an MDI port. It can be connected to an MDIX port on a device (such as another hub) using a normal "straight through" TP cable.

To connect a Baseline Dual Speed Hub to a 10Mbps or 100Mbps unit (such as another hub or switch), connect an MDIX port on the unit to port 12 or 24 on the Baseline Dual Speed Hub, as shown below. Ensure that the MDI switch on the Baseline Dual Speed Hub is in (MDI). If an MDI/MDIX port is used on the other unit, ensure that the MDI switch for that port is out (MDIX).



The Status LEDs show the state of a port and whether or not the Link Pulse signal is present on the segment connected to a port:

Green	A 100Mbps Link Pulse signal is being received and the 100BASE-TX segment attached to the port is functional.
Yellow	A 10Mbps Link Pulse signal is being received and the 10BASE-T segment attached to the port is functional.
Flashing	The port has partitioned, due to an excessive number of collisions, excessively long collisions, or a network loop. To remove a network loop, examine your connections and ensure that each piece of equipment is connected to your network by only one connection.
Off	The Link Pulse signal is not being received. Either nothing is connected to the port, or there is a problem: <ul style="list-style-type: none">■ Check that the attached device is powered on.■ Check that the cable is the correct type and is not faulty. If the LED is off for port 12 or 24, check the setting of the MDI switch. Refer to 2. Try toggling the MDI switch. If you have connected different types of unit together, check that your configuration conforms to the network configuration rules for 10BASE-T and 100BASE-TX. If the port is connected to another unit's MDI/MDIX port, check the other unit's MDI switch position.

If these checks do not identify the cause of a problem, it may be that the unit or the device connected to the port is faulty. Contact your supplier for further advice.

4 Segment LEDs

The Segment LEDs indicate activity on the 10Mbps and 100Mbps segments:

Flashing green	Packets are being received or transmitted.
Flashing yellow	Collisions are occurring on the segment. A low level of collisions is a part of normal Ethernet and Fast Ethernet operation. Excessive collisions may indicate a network problem.
Off	No packets are being received or transmitted on the segment.

5 Power LED

The Power LED indicates a number of conditions:

Green	The unit is powered on and ready for use.
Off	The unit is powered off. If the power cable is connected correctly, there may be a problem with the fuse within the power cord's plug. If the unit appears to be operating and the LED is off, contact your supplier.

Rear Panel Connections

6 Power Supply

The Baseline Dual Speed Hub automatically adjusts to the supply voltage. Only use the power cord that is supplied with the Baseline Dual Speed Hub, or a power cord of the same type.

7 Socket for Redundant Power System

You can connect a 3Com SuperStack II Advanced Redundant Power System (3C16071) to the Hub. This unit, which is also known as an RPS, is designed to maintain the power to your Hub if a power supply failure occurs.

For normal redundancy, the unit requires one Type 1 Power Module (part number 3C16072). The full redundancy, the unit requires two Type 2 Power Modules combined using a Type 1 Y-Cable (part number 3C16079).

8 Self-adhesive Pads

The hub is supplied with six self-adhesive rubber pads: two reduced height and four full height.



You do not need to apply the pads if you intend to rack mount the unit.

Each marked corner area on the underside of the unit. Place the unit on top of the lower unit, ensuring that the pads locate with the recesses of the lower unit. Use the two thinner pads when stacking the unit with a narrower one above.

Positioning the Baseline Dual Speed Hub



CAUTION: When installing the Baseline Dual Speed Hub in a stack of different size units, the Baseline Dual Speed Hub must be installed above any larger units. Do not have a free standing stack of more than six units.

When deciding where to position the Baseline Dual Speed Hub ensure:

- It is accessible and cables can be connected easily.
- Cabling is away from:
 - sources of electrical noise such as radios, transmitters and broadband amplifiers.
 - power lines and fluorescent lighting fixtures.
- Water or moisture cannot enter the case of the unit.
- Air flow around the unit and through the vents in the side of the case is not restricted (3Com recommend that you provide a minimum of 25 mm (1 in.) clearance).

To prolong the operational life of your units:

- Never stack units more than six high if free standing, and ensure that cables are supported so that they do not cause the stack to fall over.
- Do not place objects on top of any unit or stack.
- Do not obstruct any vents at the sides of the case.

Rack Mounting

The Baseline Dual Speed Hub can be mounted in a 19-inch equipment rack. Refer to the "Mounting Kit Instructions" section in this guide.

Power Up

Use the following sequence to power up the Baseline Dual Speed Hub:

- Check the network connections and cables.
- Connect the power supply cable to the appropriate power socket on the rear panel of the unit; refer to 6 or 7.
- Connect the plug to the power supply outlet socket and switch on the power supply at the socket. If you are using the Advanced Redundant Power System, ensure it is powered on.

When the Baseline Dual Speed Hub is powered on, the Power LED should be lit. If it is not, refer to 5, "Power LED".

Spot Checks

At frequent intervals you should visually check the Baseline Dual Speed Hub. Regular checks can give you an early warning of a possible failure; any problems can then be attended to when there will be least effect on users. Check the following:

Cabling	Check that all external cabling connections are secure and that no cables are pulled taut.
Cooling fans	Check that the cooling fan is operating by listening to the unit. The fan is fitted near to the front right hand side of the unit (when viewed from the front).

Problem Solving

Refer to the information about LEDs given earlier in this guide to see if the problem can be identified and rectified. If the problem persists and the Baseline Dual Speed Hub still does not operate successfully, contact your supplier with the following information before returning the unit:

- product number and serial number (printed on a label on the rear of the unit)
- a brief description of the fault

When returning any equipment to your supplier ensure that the



SAFETY INFORMATION

Please read the following safety information carefully before installing the Baseline Dual Speed Hub.



WARNING: Installation and removal of the unit must be carried out by qualified personnel only.

- If installing the unit in a stack with SuperStack II Hub units, the Baseline Dual Speed Hub must be installed beneath narrower Hub units.
- Do not connect the unit to an A.C. outlet (power supply) without an Earth (ground) connection.
- The unit must be connected to an earthed (grounded) outlet to comply with European safety standards.
- The appliance coupler (the connector to the unit and not the wall plug) must have a configuration for mating with an EN60320/IEC320 appliance inlet.
- The socket outlet must be near to the unit and easily accessible. You can only remove power from the unit by disconnecting the power cord from the outlet.
- This unit operates under SELV (Safety Extra Low Voltage) conditions according to IEC 950. The conditions are only maintained if the equipment to which it is connected also operates under SELV conditions.

Only connect an *Advanced Redundant Power System* (3C16071) to the *Redundant Power System* socket.

France and Peru only

This unit cannot be powered from IT⁺ supplies. If your supplies are of IT type, this unit must be powered by 230V (2P+T) via an isolation transformer ratio 1:1, with the secondary connection point labelled Neutral, connected directly to Earth (ground).

Power Cord Set

This must be approved for the country where it will be used.

- | | |
|-------------------|--|
| U.S.A. and Canada | ■ The cord set must be UL-approved and CSA certified. |
| | ■ The minimum specifications for the flexible cord are:
- No. 18 AWG
- Type SV or SJ
- 3-conductor |
| | ■ The cord set must have a rated current capacity of at least 10A. |
| | ■ The attachment plug must be an earth-grounding type with a NEMA 5-15P (15A, 125V) or NEMA 6-15P (15A, 250V) configuration. |
| Denmark | ■ The supply plug must comply with section 107-2-D1, standard DK2-1a or DK2-5a. |
| Switzerland | ■ The supply plug must comply with SEV/ASE 1011. |

[†]Impédance à la terre



CONSIGNES IMPORTANTES DE SÉCURITÉ

Veillez lire à fond l'information de la sécurité suivante avant d'installer le Baseline Dual Speed Hub.



AVERTISSEMENT: L'installation et la dépose de ce groupe doivent être confiés à un personnel qualifié.

- Si vous entassez l'unité avec les unités SuperStack II Hub, l'unité Baseline Dual Speed Hub doit être installée en dessous des unités Hub plus étroites.
- Ne branchez pas votre appareil sur une prise secteur (alimentation électrique) lorsqu'il n'y a pas de connexion de mise à la terre (mise à la masse).
- Vous devez raccorder ce groupe à une sortie mise à la terre (mise à la masse) afin de respecter les normes européennes de sécurité.
- Le coupleur d'appareil (le connecteur du groupe et non pas la prise murale) doit respecter une configuration qui permet un branchement sur une entrée d'appareil EN60320/IEC 320.

La prise secteur doit se trouver à proximité de l'appareil et son accès doit être facile. Vous ne pouvez mettre l'appareil hors circuit qu'en débranchant son cordon électrique au niveau de cette prise.

- L'appareil fonctionne à une tension extrêmement basse de sécurité qui est conforme à la norme CEI 950. Ces conditions ne sont maintenues que si l'équipement auquel il est raccordé fonctionne dans les mêmes conditions.
- Branchez uniquement un *Advanced Redundant Power System* (3C16071) sur la prise femelle du *Redundant Power System*.

France et Pérou uniquement:

Ce groupe ne peut pas être alimenté par un dispositif à impédance à la terre. Si vos alimentations sont du type impédance à la terre, ce groupe doit être alimenté par une tension de 230 V (2 P+T) par le biais d'un transformateur d'isolement à rapport 1:1, avec un point secondaire de connexion portant l'appellation Neutre et avec raccordement direct à la terre (masse).

Cordon électrique

Il doit être agréé dans le pays d'utilisation.

- | | |
|-----------------------|---|
| Etats-Unis et Canada: | ■ Le cordon doit avoir reçu l'homologation des UL et un certificat de la CSA. |
| | ■ Le cordon souple doit respecter, à titre minimum, les spécifications suivantes:
- calibre 18 AWG
- type SV ou SJ
- à 3 conducteurs |
| | ■ Le cordon doit être en mesure d'acheminer un courant nominal d'au moins 10 A. |
| | ■ La prise femelle de branchement doit être du type à mise à la terre (mise à la masse) et respecter la configuration NEMA 5-15P (15 A, 125 V) ou NEMA 6-15P (15 A, 250 V). |
| Danemark: | ■ La prise mâle d'alimentation doit respecter la section 107-2 D1 de la norme DK2 1a ou DK2 5a. |
| Suisse: | ■ La prise mâle d'alimentation doit respecter la norme SEV/ASE 1011. |



WICHTIGE SICHERHEITSINFORMATIONEN

Bitte unbedingt vor dem Einbauen des Baseline Dual Speed Hub Einheit die folgenden Sicherheitsanweisungen durchlesen.



WARNUNG: Die Installation und der Ausbau des Geräts darf nur durch Fachpersonal erfolgen.

- Wenn die Baseline Dual Speed Hub Einheit in einer Stapel mit anderen SuperStack II Hub Einheiten eingebaut werden soll, muß die Baseline Dual-Speed Hub Einheit unter die schmalere Hub Einheiten eingebaut werden.
- Das Gerät nicht an eine Wechselstromsteckdose anschließen, die nicht geerdet ist.
- Das Gerät muß an eine geerdete Steckdose angeschlossen werden, die die europäischen Sicherheitsnormen erfüllt.

- Der Gerätestecker (der Anschluß an das Gerät, nicht der Wandsteckdosenstecker) muß eine passende Konfiguration für einen Geräteeingang gemäß EN60320/IEC320 haben.
- Die Netzsteckdose muß in der Nähe des Geräts und leicht zugänglich sein. Die Stromversorgung des Geräts kann nur durch Herausziehen des Geräteretzkabels aus der Netzsteckdose unterbrochen werden.
- Der Betrieb dieses Geräts erfolgt unter den SELV-Bedingungen (Sicherheitskleinstspannung) gemäß IEC 950. Diese Bedingungen sind nur gegeben, wenn auch die an das Gerät angeschlossenen Geräte unter SELV-Bedingungen betrieben werden.
- Nur ein *Advanced Redundant Power System* (3C16071) an den *Redundant Power System* Anschluß anschließen.



MOUNTING KIT INSTRUCTIONS

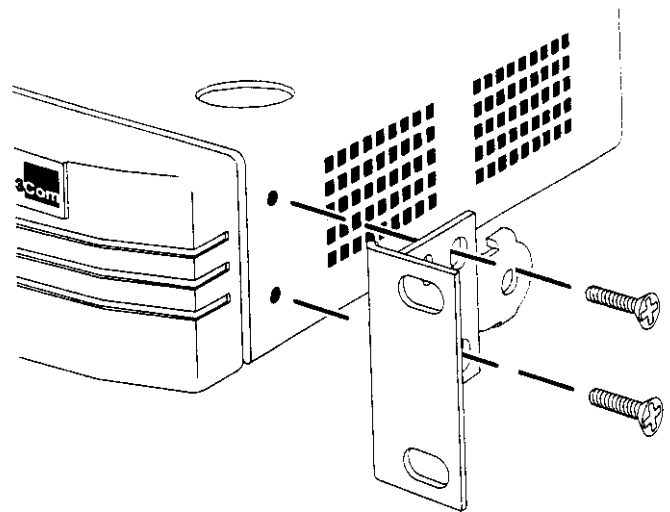
The Baseline Dual Speed Hub is supplied with two mounting brackets and four screws. These are used for rack mounting the unit. When mounting the unit, you should take note of the guidelines given in "Positioning the Baseline Dual Speed Hub" on page 3. The Baseline Dual Speed Hub is 1U high and will fit a standard 19-inch rack.



CAUTION: Disconnect all cables from the unit before continuing. Remove the self-adhesive pads from the underside of unit, if already fitted.

To rack mount the unit:

- 1 Place the unit the right way up on a hard, flat surface with the front facing towards you.
- 2 Locate a mounting bracket over the mounting holes on one side of the unit, as shown in the diagram.
- 3 Insert the two screws supplied in the mounting kit and fully tighten with a suitable screwdriver.
- 4 Repeat the two previous steps for the other side of the unit.
- 5 Insert the unit into the 19-inch rack and secure with suitable screws (not provided).
- 6 Reconnect all cables.



TECHNICAL INFORMATION

Related Standards

The SuperStack® II Baseline Dual Speed Hub has been designed and certified to the following standards:

Functional	ISO/IEC 8802-3, IEEE 802.3, IEEE 802.3u, IEEE 802.1D
Safety	UL 1950, EN 60950, CAN/CSA 22.2, TUV/GS, IEC 950
EMC	EN 55022 Class B*, VCCI Class B*, AS/NZS3548 Class B*, EN55022 Class A**, FCC Part 15 Class A**, ICES-003 Class A**, VCCI Class A** <small>* This will only be achieved as a stand-alone product using commercially available Category 5 STP cables—not as part of a stack. ** This will be achieved as a stand-alone product using commercially available Category 3 UTP cables, or using commercially available Category 5 STP cables as part of a system. Category 5 screened cables must be used to ensure complete compliance with the Class B requirements of this standard. The use of unscreened cables (Category 3 or 5 for 10BASE-T ports or Category 5 for 100BASE-TX ports) complies with Class A requirements.</small>
Immunity	EN 50082-1 (IEC801 Parts 2-5)

Environmental

Operating Temperature	0–50°C (32–122°F)
Humidity	0–95% (non-condensing)

Physical

Width	440mm (17.3in.)
Depth	173mm (6.8in.)
Height	44mm (1.7in.) or 1U
Weight	3C16592A: 2.2kg (5.6lb) 3C16593A: 2.2kg (5.8lb)
Mounting	Free standing, or 19in. rack mounted using the mounting kit supplied

Electrical

Power Inlet	IEC 320
AC Line Frequency	50/60 Hz
Power Consumption	3C16592A: 25VA 3C16593A: 42VA
Power Dissipation	3C16592A: 86BTU/hr 3C16593A: 142 BTU/hr
Input Voltage	100–240 VAC
Current Rating	3C16592A: 1.0A (maximum) 3C16593A: 0.22A (maximum)

会修改



LIFETIME LIMITED WARRANTY

For first five years +5 Lifetime Limited Warranty

The SuperStack II Baseline Dual Speed Hub (3C16592A and 3C16593A) benefits from 3Com's enhanced +5 Lifetime Limited Warranty. This provides a full 5 years of advanced hardware exchange from your date of purchase in accordance with 3Com's standard terms and conditions. To qualify, you must submit your warranty registration card to 3Com. After the initial 5 year period, the warranty reverts to 3Com's standard lifetime limited warranty. The +5 Lifetime Limited Warranty is not offered or is void where restricted or prohibited by law.

After first five years Lifetime Limited Warranty

The duration of the 3Com standard lifetime limited warranty is lifetime, excluding the power supply and fans. See below for terms and conditions of this warranty.

HARDWARE: 3Com warrants its hardware products to be free from defects in workmanship and materials, under normal use and service, for the following lengths of time from the date of purchase from 3Com or its Authorized Reseller:

Network adapters	Lifetime
Other hardware products	One year (unless otherwise specified above)
Spare parts and spares kits	90 days

If a product does not operate as warranted above during the applicable warranty period, 3Com shall, at its option and expense, repair the defective product or part, deliver to Customer an equivalent product or part to replace the defective item, or refund to Customer the purchase price paid for the defective product. All products that are replaced will become the property of 3Com. Replacement products may be new or reconditioned. Any replaced or repaired product or part has a ninety (90) day warranty or the remainder of the initial warranty period, whichever is longer.

3Com shall not be responsible for any software, firmware, information, or memory data of Customer contained in, stored on, or integrated with any products returned to 3Com for repair, whether under warranty or not.

SOFTWARE: 3Com warrants that the software programs licensed from it will perform in substantial conformance to the program specifications therefor for a period of ninety (90) days from the date of purchase from 3Com or its Authorized Reseller. 3Com warrants the media containing software against failure during the warranty period. No updates are provided. 3Com's sole obligation with respect to this express warranty shall be (at 3Com's discretion) to refund the purchase price paid by Customer for any defective software products, or to replace any defective media with software which substantially conforms to 3Com's applicable published specifications. Customer assumes responsibility for the selection of the appropriate applications program and associated reference materials. 3Com makes no warranty or representation that its software products will work in combination with any hardware or applications software products provided by third parties, that the operation of the software products will be uninterrupted or error free, or that all defects in the software products will be corrected. For any third party products listed in 3Com software product documentation or specifications as being incompatible, 3Com will make reasonable efforts to provide compatibility, except where the non-compatibility is caused by a "bug" or defect in the third party's product.

STANDARD WARRANTY SERVICE: Standard warranty service for hardware products may be obtained by delivering the defective product, accompanied by a copy of the dated proof of purchase, to 3Com's Corporate Service Center or to an Authorized 3Com Service Center during the applicable warranty period. Standard warranty service for software products may be obtained by telephoning 3Com's Corporate Service Center or an Authorized 3Com Service Center, within the warranty period. Products returned to 3Com's Corporate Service Center must be pre-authorized by 3Com with a Return Material Authorization (RMA) number marked on the outside of the package, and sent prepaid, insured, and packaged appropriately for safe shipment. The repaired or replaced item will be shipped to Customer, at 3Com's expense, not later than thirty (30) days after receipt of the defective product by 3Com.

WARRANTIES EXCLUSIVE: IF A 3COM PRODUCT DOES NOT OPERATE AS WARRANTED ABOVE, CUSTOMER'S SOLE REMEDY FOR BREACH OF THAT WARRANTY SHALL BE REPAIR, REPLACEMENT, OR REFUND OF THE PURCHASE PRICE PAID, AT 3COM'S OPTION. TO THE FULL EXTENT ALLOWED BY LAW, THE FOREGOING WARRANTIES AND REMEDIES ARE EXCLUSIVE AND ARE IN LIEU OF ALL OTHER WARRANTIES, TERMS, OR CONDITIONS, EXPRESS OR IMPLIED, EITHER IN FACT OR BY OPERATION OF LAW, STATUTORY OR OTHERWISE, INCLUDING WARRANTIES, TERMS, OR CONDITIONS OF MERCHANTABILITY, FITNESS FOR A PARTICULAR PURPOSE, AND SATISFACTORY QUALITY. 3COM NEITHER ASSUMES NOR AUTHORIZES ANY OTHER PERSON TO ASSUME FOR IT ANY OTHER LIABILITY IN CONNECTION WITH THE SALE, INSTALLATION, MAINTENANCE OR USE OF ITS PRODUCTS.

3COM SHALL NOT BE LIABLE UNDER THIS WARRANTY IF ITS TESTING AND EXAMINATION DISCLOSE THAT THE ALLEGED DEFECT IN THE PRODUCT DOES NOT EXIST OR WAS CAUSED BY CUSTOMER'S OR ANY THIRD PERSON'S MISUSE, NEGLIGENCE, IMPROPER INSTALLATION OR TESTING, UNAUTHORIZED ATTEMPTS TO REPAIR OR MODIFY, OR ANY OTHER CAUSE BEYOND THE RANGE OF THE INTENDED USE, OR BY ACCIDENT, FIRE, LIGHTNING, OR OTHER HAZARD.

LIMITATION OF LIABILITY: TO THE FULL EXTENT ALLOWED BY LAW 3COM ALSO EXCLUDES FOR ITSELF AND ITS SUPPLIERS ANY LIABILITY, WHETHER BASED IN CONTRACT OR TORT (INCLUDING NEGLIGENCE), FOR INCIDENTAL, CONSEQUENTIAL, INDIRECT, SPECIAL, OR PUNITIVE DAMAGES OF ANY KIND, OR FOR LOSS OF REVENUE OR PROFITS, LOSS OF BUSINESS, LOSS OF INFORMATION OR DATA, OR OTHER FINANCIAL LOSS ARISING OUT OF OR IN CONNECTION WITH THE SALE, INSTALLATION, MAINTENANCE, USE, PERFORMANCE, FAILURE, OR INTERRUPTION OF ITS PRODUCTS, EVEN IF 3COM OR ITS AUTHORIZED RESELLER HAS BEEN ADVISED OF THE POSSIBILITY OF SUCH DAMAGES, AND LIMITS ITS LIABILITY TO REPAIR, REPLACEMENT, OR REFUND OF THE PURCHASE PRICE PAID, AT 3COM'S OPTION. THIS DISCLAIMER OF LIABILITY FOR DAMAGES WILL NOT BE AFFECTED IF ANY REMEDY PROVIDED HEREIN SHALL FAIL OF ITS ESSENTIAL PURPOSE.

Some countries, states, or provinces do not allow the exclusion or limitation of implied warranties or the limitation of incidental or consequential damages for certain products supplied to consumers or the limitation of liability for personal injury, so the above limitations and exclusions may be limited in their application to you. This warranty gives you specific legal rights which may vary depending on local law.

GOVERNING LAW: This Limited Warranty shall be governed by the laws of the state of California.

3Com Corporation, 5400 Bayfront Plaza, Santa Clara, CA 95052-8145 U.S.A.
Tel: (408) 326-5000 9/1/96



FCC Statement

This equipment has been tested and found to comply with the limits for a Class A digital device, pursuant to part 15 of the FCC rules. These limits are designed to provide reasonable protection against harmful interference when the equipment is operated in a commercial environment. This equipment generates, uses and can radiate radio frequency energy and, if not installed and used in accordance with the instructions, may cause harmful interference to radio communications. Operation of this equipment in a residential area is likely to cause harmful interference to radio communications, in which case the user will be required to correct the interference at their own expense.

CSA Statement

This Class A digital apparatus meets all requirements of the Canadian Interference-Causing Equipment Regulations.

Cet appareil numérique de la classe A respecte toutes les exigences du Règlement sur le matériel brouilleur du Canada.

VCCI Statement

この装置は、情報処理装置等電波障害自主規制協議会（VCCI）の基準に基づくクラスB情報技術装置です。この装置は、家庭環境で使用することを目的としていますが、この装置がラジオやテレビジョン受信機に近接して使用されると、受信障害を引き起こすことがあります。
取扱説明書に従って正しい取り扱いをして下さい。

BCIQ Statement

警告使用者：這是甲類的資訊產品，在正常的環境中使用時，可能會造成射頻干擾，在這種情況下，使用者會被要求採取某些適當的對策。

Information To The User

If this equipment does cause interference to radio or television reception, which can be determined by turning the equipment off and on, the user is encouraged to try to correct the interference by one or more of the following measures:

- Reorient the receiving antenna.
- Relocate the equipment with respect to the receiver.
- Move the equipment away from the receiver.
- Plug the equipment into a different outlet so that equipment and receiver are on different branch circuits.

If necessary, the user should consult the dealer or an experienced radio/television technician for additional suggestions. The user may find the following booklet prepared by the Federal Communications Commission helpful:

How to Identify and Resolve Radio-TV Interference Problems

This booklet is available from the U.S. Government Printing Office, Washington, DC 20402, Stock No. 004-000-00345-4.

In order to meet FCC emissions limits, this equipment must be used only with cables which comply with IEEE 802.3.

Your suggestions are very important to us. They will help make our documentation more useful to you. Please e-mail comments about this document to 3Com at: pddtechpubs_comments@3Com.com

Please include the following information when commenting: the document title (SuperStack II Baseline Dual Speed Hub User Guide), part number (DUA1659-2AAA02), and page number (if appropriate).

Year 2000 Compliance

For information on Year 2000 compliance and 3Com products, visit the 3Com Year 2000 Web page:
<http://www.3com.com/products/yr2000.html>

Product Registration

You can now register your Baseline Dual Speed Hub online, or use the Registration Card and free postage envelope provided, to receive up-to-date information on 3Com products:
<http://3com.com/productreg/pdd/>



PRODUCTS

The SuperStack II Baseline Dual Speed Hub is part of the large SuperStack II range of 3Com products. This range includes hubs, switches, power systems and other networking equipment, and is

continually being developed. Contact your supplier for the latest product information and to order these products.



TECHNICAL SUPPORT

World Wide Web Site

Access the latest networking information on 3Com's World Wide Web site by entering our URL into your Internet browser:

<http://www.3Com.com/>

This service features news and information about 3Com products, customer service and support, 3Com Corporation's latest news releases, NetAge® Magazine, technical documentation and more.

3Com Bulletin Board Service

3ComBBS contains patches, software, and drivers for all 3Com products, as well as technical articles. This service is available via modem or ISDN 24 hours a day, 7 days a week.

Access by Digital Modem

ISDN users can dial in to 3ComBBS using a digital modem for fast access up to 56Kbps. To access 3ComBBS using ISDN, use the following number:

(1) 408 654 2703

Access by Analog Modem

To reach the service by analog modem, set your modem to 8 data bits, no parity, and 1 stop bit. Call the telephone number nearest you:

Australia	61 2 9955 2073	Japan	81 3 3345 7266
Brazil	55 11 5181 9666	Mexico	52 5 520 7835
France	33 1 6986 6954	P. R. of China	86 10 684 92351
Germany	4989 62732 188	Taiwan, R.O.C.	886 2 377 5840
Hong Kong	852 2537 5601	U.K.	44 1442 438278
Italy	39 2 27300680	U.S.A.	1 408 980 8204

3Com Corporation
P.O. Box 58145
5400 Bayfront Plaza
Santa Clara
CA 95052-8145
U.S.A.

3Com Centre
Boundary Way
Hemel Hempstead
Herts HP2 7YU
U.K.



LEGAL NOTICES

© 3Com Technologies, 1998. All rights reserved. No part of this documentation may be reproduced in any form or by any means or used to make any derivative work (such as translation, transformation, or adaptation) without permission from 3Com Technologies.

3Com Technologies reserves the right to revise this documentation and to make changes in content from time to time without obligation on the part of 3Com Technologies to provide notification of such revision or change.

3Com Technologies provides this documentation without warranty of any kind, either implied or expressed, including, but not limited to, the implied warranties of merchantability and fitness for a particular purpose. 3Com may make improvements or changes in the product(s) and/or the program(s) described in this documentation at any time.

UNITED STATES GOVERNMENT LEGENDS:

If you are a United States government agency, then this documentation and the software described herein are provided to you subject to the following restricted rights:

For units of the Department of Defense:

Restricted Rights Legend: Use, duplication or disclosure by the Government is subject to restrictions as set forth in subparagraph (c) (1) (ii) for restricted Rights in Technical Data and Computer Software clause at 48 C.F.R. 52.227-7013. 3Com Centre, Boundary Way, Maylands Park South, Hemel Hempstead, Herts, HP2 7YU, U.K.

For civilian agencies:

Restricted Rights Legend: Use, reproduction or disclosure is subject to restrictions set forth in subparagraph (a) through (d) of the Commercial Computer Software - Restricted Rights Clause at 48 C.F.R. 52.227-19 and the limitations set forth in 3Com Corporation's standard commercial agreement for the software. Unpublished rights reserved under the copyright laws of the United States.

If there is any software on removable media described in this documentation, it is furnished under a license agreement included with the product as a separate document, in the hard copy documentation, or on the removable media in a directory file named `license.txt`. If you are unable to locate a copy, please contact 3Com and a copy will be provided to you.

Unless otherwise indicated, 3Com registered trademarks are registered in the United States and may or may not be registered in other countries.

3Com and SuperStack are registered trademarks of 3Com Corporation.

Other brand and product names may be registered trademarks or trademarks of their respective holders.

Part Number: DUA1659-2AAA02
Revision: 00
Published: December 1998