



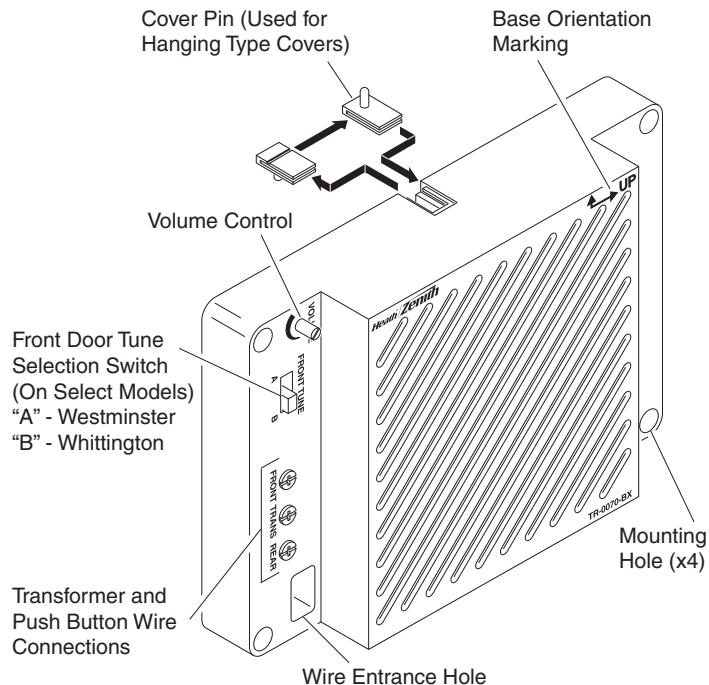
**Hardwired
Electronic
Chime**

CHIME REPLACEMENT INSTALLATION

IMPORTANT: Proper installation requires a diode on the front door push button. See *Diode Installation Instructions* (page 5) after completing steps 1 through 10 below.

Note: Electrical work must be in accordance with national and local electrical codes. If in doubt, consult a qualified electrician.

1. Verify transformer power rating. Power must be supplied from a 16 Volt AC, 10 Watt or a 16 Volt AC, 15 Watt transformer.
2. Remove cover from existing chime.
3. Label all wires before disconnecting. Using masking tape, mark each wire according to existing chime terminal markings.
 - “F” – Front Push Button Wire
 - “T” – Transformer Wire
 - “R” – Rear Push Button Wire*
4. Disconnect all wires from existing chime.
5. Remove existing chime base from wall.
6. Determine proper chime base orientation. The chime cover style will determine orientation.
7. Determine cover mounting type. For hanging type covers, cover pin should be exposed (see Figures 1 and 3).



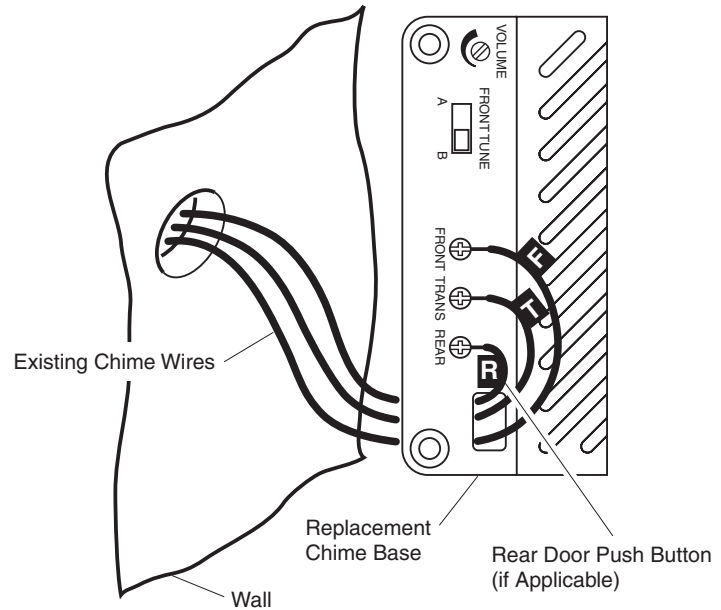
**Figure 1 - Electronic Chime Identification
(TR-0070-BX Base Shown)**

Illustrations may vary from actual chime unit.

Continued

8. Route wires through wire entrance hole in new chime base.
9. Mount chime base to wall using screws and anchors provided. (Drill 7/32" diameter pilot hole for wall anchors.)
10. Connect wire "F" to screw terminal marked "FRONT". Connect wire "T" to screw terminal marked "TRANS". Connect wire "R" to screw terminal marked "REAR"* (See Figure 2).
11. Install chime cover (see page 4).
12. Connect diode to front push button (see page 5).

**Note:* Some installations may not include rear door push button.



**Figure 2 - Electronic Chime Wiring
(TR-0070-BX Base Shown)**

INSTALL CHIME COVER

Place chime cover securely over base.

- **For hanging type cover:** Remove, turn over, and reinstall the cover pin (see Figure 3). Hang cover on cover pin.
- **For snap-on type cover:** Apply pressure to the cover until it snaps into place (see Figure 4). Firmly grasp cover and pull to remove from base.

Note: Never use cleaners or polishes. Never use any fluids on the electronic chime mechanism. Use dry cloth to clean chime cover and base.

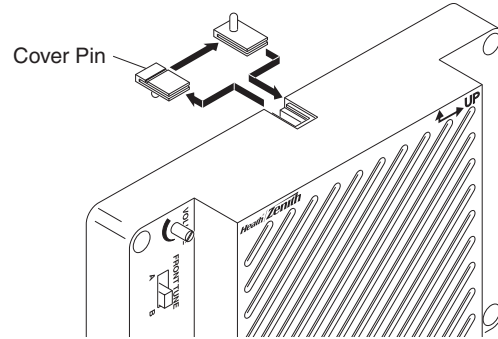


Figure 3 - Turning Over Cover Pin for Hanging Type Cover

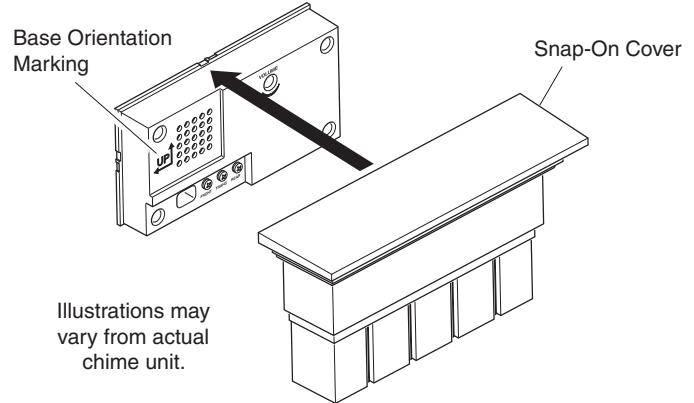


Figure 4 - Mounting Snap-On Type Cover

DIODE INSTALLATION INSTRUCTIONS

A small electrical component called a “diode” is required for this chime to play the entire eight-note tune. This diode must be installed on the terminal screws of the front door push button (see Figure 5). If not already installed on push button, attach supplied diode as shown below. If, with the diode in place, the chime does not play the complete eight-note melody, see *Troubleshooting*, page 6.

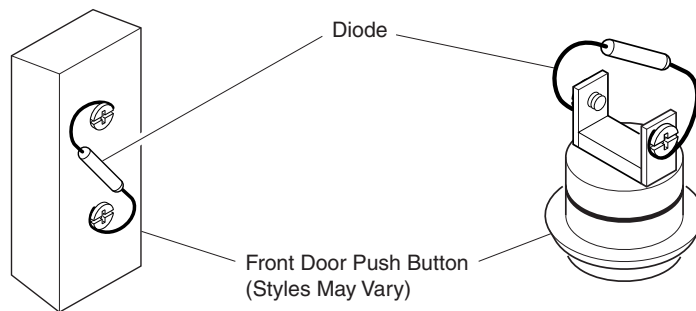


Figure 5 - Attaching Diode to Front Door Push Button

TROUBLESHOOTING

Chime does not sound:

- **Check Chime:** Disconnect wire from terminal marked “TRANS”. Have someone operate push button at front door while you momentarily touch the “TRANS” wire to terminal marked “FRONT”. You will see a small spark if push button, wiring, and transformer are operating properly. Repeat the steps for “REAR” terminal and rear push button. If wiring between transformer and push button(s) check out properly, replace chime.
- **Check Transformer:** Test transformer voltage output with a volt meter. If a volt meter is not available, momentarily touch the two low-voltage terminals with a screwdriver. You will see a small spark if transformer is operating properly. If no spark is evident, replace transformer.
- **Check Push Button(s):** Remove suspected push button from door frame, disconnect wire from terminals and touch bare wires together. If chime operates, push button is defective. Replace push button.

Chime sounds but does not complete Westminster or Whittington (if applicable) tune:

- **Check Diode on Front Push Button:** Verify diode is attached securely to push button (see page 5). Chime may not function properly if a diode is installed on more than one push button. *Note:* Some push buttons have pre-installed diodes. An additional diode should not be added if the push button has a pre-installed diode. If eight-note tune still does not sound completely, replace diode (Type 1N4001-50V-1A, available at local electrical component supplier).

TECHNICAL SERVICE

Please call 1-800-858-8501 for assistance before returning product to store.

If you experience a problem, follow this guide. You may also want to visit our Web site at: www.desatech.com. If the problem persists, call* for assistance at 1-800-858-8501, 7:30 AM to 4:30 PM CST (M-F). You may also write* to:

DESA Specialty Products™

ATTN: Technical Service Specialty Products

P.O. Box 90004, Bowling Green, KY 42102-9004

* If contacting Technical Service, please have the following information available: Model Number, Date of Purchase, and Place of Purchase.

No Service Parts Available for this Product

ONE YEAR LIMITED WARRANTY

This is a "Limited Warranty" which gives you specific legal rights. You may also have other rights which vary from state to state or province to province.

For a period of one year from the date of purchase, any malfunction caused by factory defective parts or workmanship will be corrected at no charge to you.

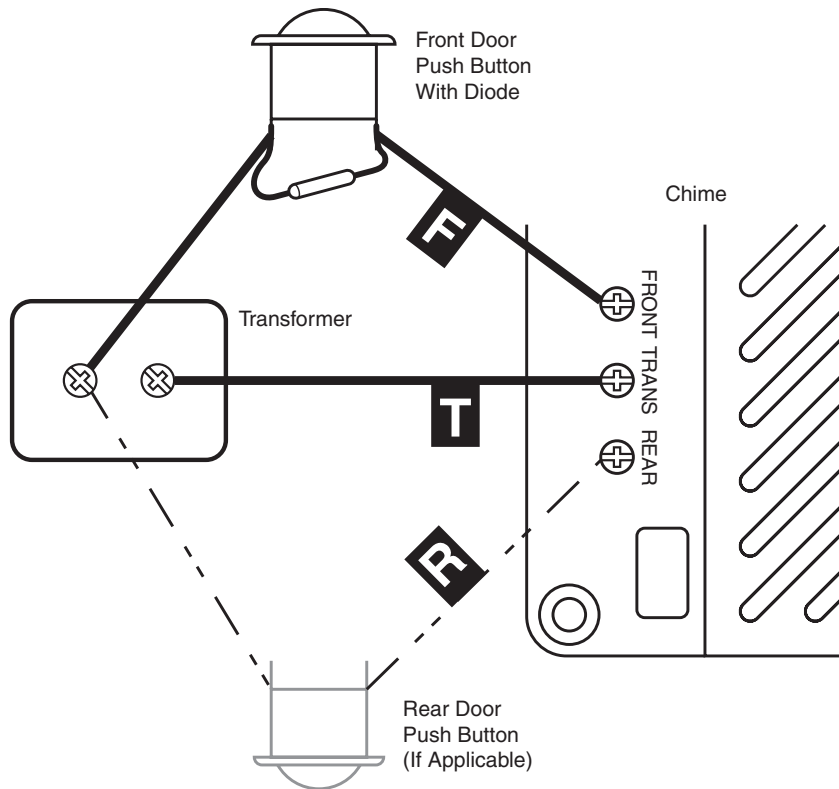
Not Covered - Repair service, adjustment and calibration due to misuse, abuse or negligence, light bulbs, batteries, and other expendable items are not covered by this warranty. Unauthorized service or modification of the product or of any furnished component will void this warranty in its entirety. This warranty does not include reimbursement for inconvenience, installation, setup time, loss of use, unauthorized service, or return shipping charges.

This warranty covers only ACE® assembled products and is not extended to other equipment and components that a customer uses in conjunction with our products.

THIS WARRANTY IS EXPRESSLY IN LIEU OF ALL OTHER WARRANTIES, EXPRESS OR IMPLIED, INCLUDING ANY WARRANTY, REPRESENTATION OR CONDITION OF MERCHANT ABILITY OR THAT THE PRODUCTS ARE FIT FOR ANY PARTICULAR PURPOSE OR USE, AND SPECIFICALLY IN LIEU OF ALL SPECIAL, INDIRECT, INCIDENTAL, OR CONSEQUENTIAL DAMAGES.

REPAIR OR REPLACEMENT SHALL BE THE SOLE REMEDY OF THE CUSTOMER AND THERE SHALL BE NO LIABILITY ON THE PART OF ACE® FOR ANY SPECIAL, INDIRECT, INCIDENTAL, OR CONSEQUENTIAL DAMAGES, INCLUDING BUT NOT LIMITED TO ANY LOSS OF BUSINESS OR PROFITS, WHETHER OR NOT FORESEEABLE. Some states or provinces do not allow the exclusion or limitation of incidental or consequential damages, so the above limitation or exclusion may not apply to you. Proof of purchase is required for warranty claims.

ACE® reserves the right to discontinue and to change specifications at any time without notice without incurring any obligation to incorporate new features in previously sold products.



Chime System Wiring Diagram