

User Manual

AM100 Air Monitor

Indoor Air Quality Monitor

Copyright

The documentation and the software included with this product are copyrighted 2017 by Acer Incorporated. All rights are reserved. Acer Incorporated. reserves the right to make improvements in the products described in this manual at any time without notice. No part of this manual may be reproduced, copied, translated, or transmitted in any form or by any means without the prior written permission of Acer Incorporated. Information provided in this manual is intended to be accurate and reliable. However, Acer Incorporated. assumes no responsibility for its use, nor for any infringements of the rights of third parties, which may result from its use.

Declaration of Conformity

FCC Class B

Note: This equipment has been tested and found to comply with the limits for a Class B digital device, pursuant to part 15 of the FCC Rules. These limits are designed to provide reasonable protection against harmful interference in a residential installation. This equipment generates, uses and can radiate radio frequency energy and, if not installed and used in accordance with the instructions, may cause harmful interference to radio communications. However, there is no guarantee that interference will not occur in a particular installation. If this equipment does cause harmful interference to radio or television reception, which can be determined by turning the equipment off and on, the user is encouraged to try to correct the interference by one or more of the following measures:

- Reorient or relocate the receiving antenna.
- Increase the separation between the equipment and receiver.
- Connect the equipment into an outlet on a circuit different from that to which the receiver is connected.
- Consult the dealer or an experienced radio/TV technician for help.



Warning!

Any changes or modifications made to the equipment which are not expressly approved by the relevant standards authority could void your authority to operate the equipment.



Caution! Danger of explosion if battery is incorrectly replaced. Replace only with the same or equivalent type recommended by the manufacturer. Dis-posal of used batteries according to the manufacturer's instructions.

Packing List

Before you begin installing AM100, please make sure that the following materials

have been shipped:

- AM100
- Accessories for AM100
 - Warranty card
 - Safety card
 - Quick Guide
 - USB Cable
 - USB Adaptor
 - Mounting screws

If any of these items are missing or damaged, contact your distributor or sales representative immediately.

Technical Support and Assistance

1. Visit the Acer web site at www.acer.com/support where you can find the latest information about the product.
2. Contact your distributor, sales representative, or Acer's customer service center for technical support if you need additional assistance. Please have the following information ready before you call:
 - Product name and serial number
 - Description of your peripheral attachments
 - Description of your software (operating system, version, application software, etc.)
 - A complete description of the problem
 - The exact wording of any error messages



Warning!

Danger of explosion if battery is incorrectly replaced. Replace only with the same or equiv- alert type recommended by the manufacturer. Dispose of used batteries, according to the manufacturer's instructions.

**Warning!**

1. Use 3.75V Li-ion rechargeable battery.
2. Packing: please carry the unit with both hands, handle with care
3. Maintenance: to properly maintain and clean the surfaces, use only approved products or clean with a dry applicator

Safety Instructions

1. Read these safety instructions carefully.
2. Keep this User Manual for later reference.
3. Disconnect this equipment from any AC outlet before cleaning. Use a damp cloth. Do not use liquid or spray detergents for cleaning.
4. For plug-in equipment, the power outlet socket must be located near the equipment and must be easily accessible.
5. Keep this equipment away from humidity.
6. Put this equipment on a reliable surface during installation. Dropping it or letting it fall may cause damage.
7. The openings on the enclosure are for air convection. Protect the equipment from overheating. **DO NOT COVER THE OPENINGS.**
8. Make sure the voltage of the power source is correct before connecting the equipment to the power outlet.
9. Position the power cord so that people cannot step on it. Do not place anything over the power cord.
10. All cautions and warnings on the equipment should be noted.
11. If the equipment is not used for a long time, disconnect it from the power source to avoid damage by transient overvoltage.
12. Never pour any liquid into an opening. This may cause fire or electrical shock.
13. Never open the equipment. For safety reasons, the equipment should be opened only by qualified service personnel.
14. If one of the following situations arises, get the equipment checked by service personnel:
 15. The power cord or plug is damaged.
 16. Liquid has penetrated into the equipment.
 17. The equipment has been exposed to moisture.
 18. The equipment does not work well, or you cannot get it to work according to the user's manual.
 19. The equipment has been dropped and damaged.
 20. The equipment has obvious signs of breakage.
 21. **DO NOT LEAVE THIS EQUIPMENT IN AN ENVIRONMENT WHERE THE STORAGE TEMPERATURE MAY GO BELOW -25° C OR ABOVE 50° C. THIS COULD DAMAGE THE EQUIPMENT. THE EQUIPMENT SHOULD BE IN A CONTROLLED ENVIRONMENT.**

22. CAUTION: DANGER OF EXPLOSION IF BATTERY IS INCORRECTLY REPLACED. REPLACE ONLY WITH THE SAME OR EQUIVALENT TYPE RECOMMENDED BY THE MANUFACTURER, DISCARD USED BATTERIES ACCORDING TO THE MANUFACTURER'S INSTRUCTIONS.

DISCLAIMER: This set of instructions is given according to IEC 704-1. Acer disclaims all responsibility for the accuracy of any statements contained herein.

Table of Contents

- CHAPTER 1 GENERAL INFORMATION 1**
 - 1.1 INTRODUCTION.....1
 - 1.2 GENERAL SPECIFICATION1
 - 1.2.1 General.....1
 - 1.3 DIMENSIONS2
 - 1.4 POWER SPECIFICATION.....2

- CHAPTER 2 GENERAL SPECIFICATION 3**
 - 2.1 AM100 AIR MONITOR SPECIFICATION3
 - 2.2 LED & KEY INFORMATION4
 - 2.2.1 WiFi LED.....4
 - 2.2.2 Power LED.....5
 - 2.2.3 Function Key.....5

- CHAPTER 3 INSTALLATION AND DOWNLOAD APP 6**
 - 3.1 INSTALLATION.....6
 - 3.2 DOWNLOAD THE APPS.....7

List of Figures

Figure 1-1	Dimensions of AM100	2
Figure 2-1	WiFi LED Position	4
Figure 2-2	Power LED Position	5
Figure 2-3	Function Key Position.....	5
Figure 3-1	Desk standalone or wall-mount AM100.....	6
Figure 3-2	Power On and color light	6
Figure 3-3	QR Code for App	7

List of Tables

Table 2-1	AM100 Product Specification.....	3
-----------	----------------------------------	---

Chapter 1 General Information

This chapter gives background information on the AM100.

Sections include:

- Introduction
- General Specifications
- Dimensions

1.1 Introduction

The AM100 is an indoor air quality monitor that able to detect PM2.5/PM10, Co2, TVOC, Temperature, Humidity, and Lighting of your environment, it's able to connect with Acer AOP cloud for long-term AQI records and provide pre-caution message of the air quality surrounds you.

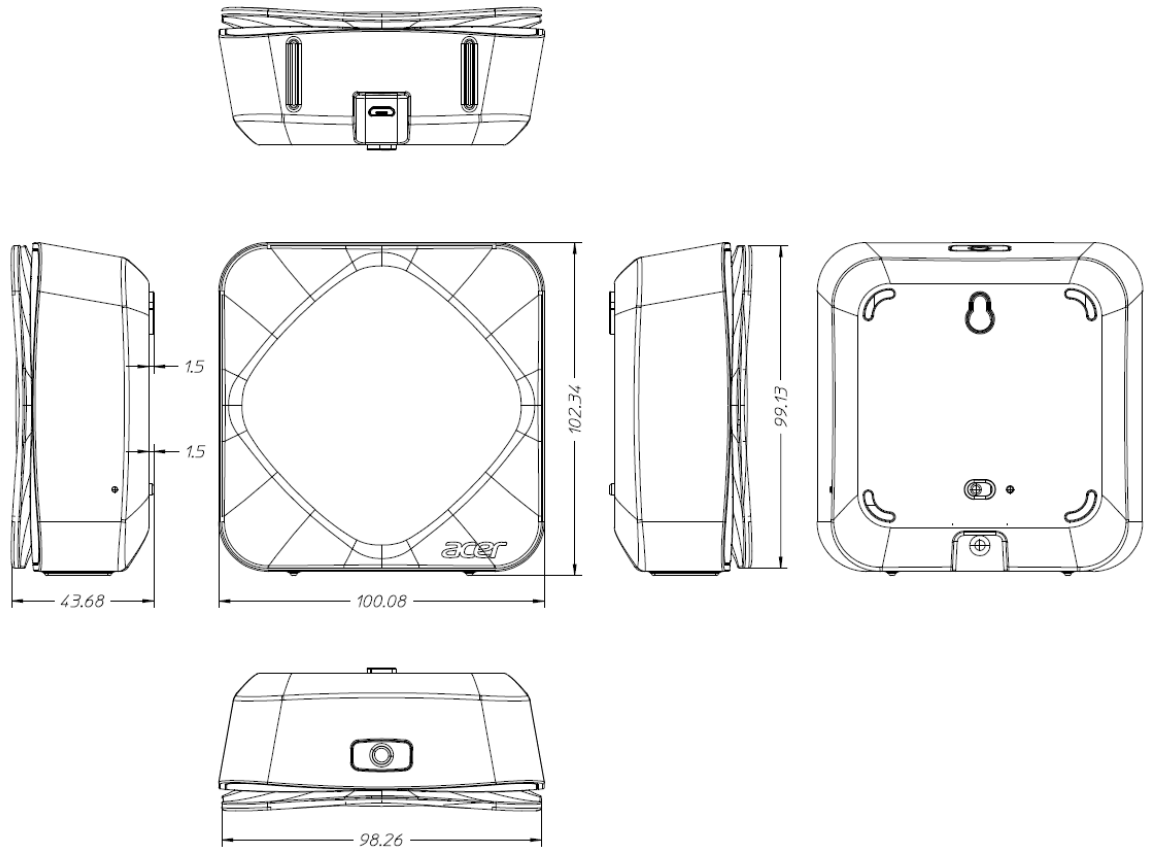
1.2 General Specification

1.2.1 General

- **Dimensions (W x H x D):** 100 mm (L) x 100 mm (H) x 43.7 mm (D)
- **Weight:** 240 kg
- **Power supply:** ADAPTER 100-240VAC in, 5V /1A DC out

1.3 Dimensions

Figure 1-1 Dimensions of AM100



1.4 Power Specification

- **AC Characteristics:**
 - AC Input 100 ~ 240V 0.2A Max., 50 ~ 60Hz
- **Output Type:** Micro-USB
- **Output Voltage:** 5V, 1A Max
- **Vendor Model:** DSA-5PFU1-05

Chapter 2 General Specification

This chapter details system setup on the AM100

2.1 AM100 Air Monitor Specification

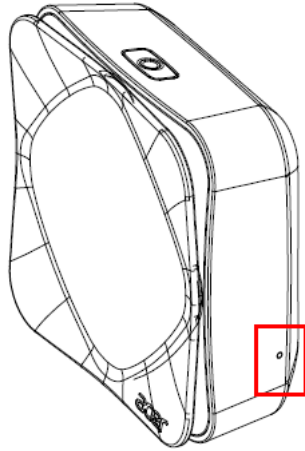
Table 2-1 AM100 Product Specification

Processor	BROADCOM 20737S ARM Cortex-M3	
Memory	Embedded 512Kb EEPROM 60Kb RAM	
Power	Voltage range/frequency: 100 ~ 240V AC, 50/60 Hz DC Output: 5V/1A	
Battery	Build-in Rechargeable/non-Replaceable Lithium-ion Polymer Battery	
Connectivity	Bluetooth	Bluetooth 4.0 LE
	Wireless LAN	Wi-Fi 802.11 b/g/n
Sensors	Particulate Matter	PM2.5/PM10 ($\mu\text{g}/\text{m}^3$) Experimental estimation from Sensor output <i>Detectable Particle size > 0.7μ m</i> <i>PM2.5 Range: 0 - 500 $\mu\text{g}/\text{m}^3$;Resolution: 1.0 $\mu\text{g}/\text{m}^3$</i> <i>PM10 Range: 0-1000 $\mu\text{g}/\text{m}^3$; Resolution: 1.0 $\mu\text{g}/\text{m}^3$</i>
	TVOC	Detect Total concentration of Volatile Organic Compounds: Alcohols, Aldehydes, Aliphatic Hydrocarbons, Amines, Aromatic hydrocarbons, CO, CH ₄ , LPG, Ketones, Organic acids, etc. <i>Range: 125 - 3500 PPB</i> <i>Resolution: 1.0 PPB</i>
	IAQ-CO ₂ indicator	Conversion from tVOC (Range: 450-10000 ppm, Resolution: 1 PPM)
	Temperature	Range: -20°C to 80°C, Resolution: 0.1 °C
	Humidity	Relative Humidity %; Range: 0 - 100%, Resolution: 1.0%
	Ambient Light Sensor	Yes
Multimedia	Buzzer	Yes
Temperature	Operating	5°C ~40°C
	Storage	-25°C ~50°C
	Shipping	-25°C ~50°C
Humidity	Operating	0%~85%

2.2 LED & Key Information

2.2.1 WiFi LED

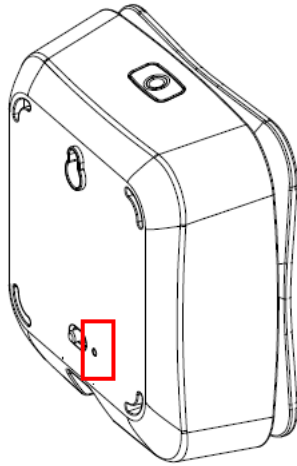
Figure 2-1 WiFi LED Position



Blank – No Connection
Red – Connect to WiFi AP
Green – Connect to Acer AOP

2.2.2 Power LED

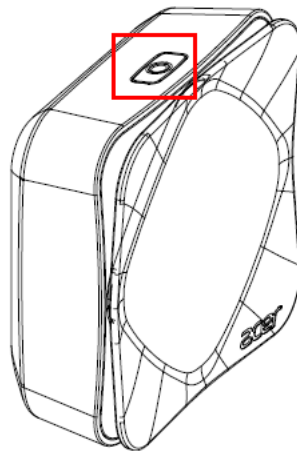
Figure 2-2 Power LED Position



Blank – Power cable disconnect
Red – Charging
Green – 100% charged

2.2.3 Function Key

Figure 2-3 Function Key Position



Press 2 sec. – Instant detect air quality
Press 3 sec. – Clean WiFi AP setting
Press 5 sec. – Clean BT setting

Chapter 3 Installation and Download App

This chapter details installing the AM100 Installation and Download App

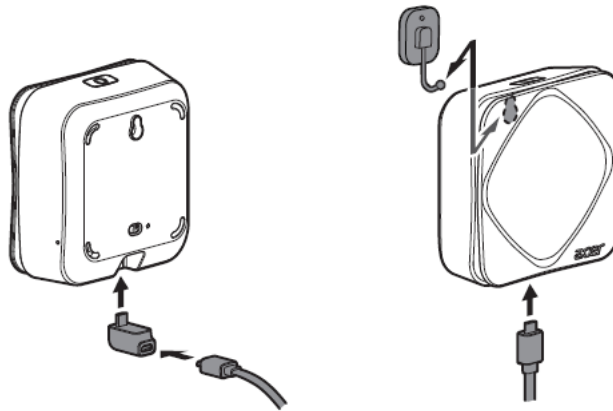
Sections include:

- Installation
- App Download

3.1 Installation

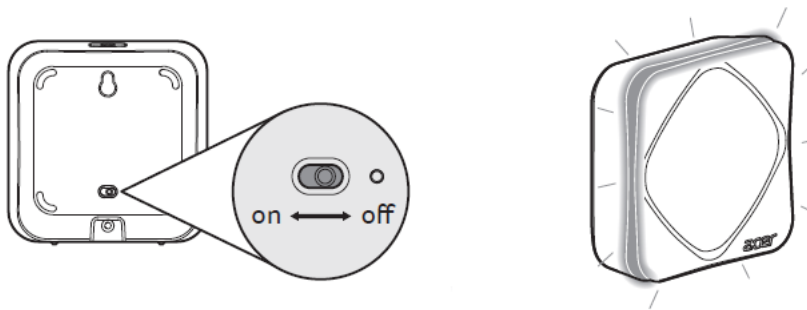
Connect the AM100 with USB power cable. Adding micro-USB L sharp transfer socket for desk standalone or without it for wall-mount.

Figure 3-1 Desk standalone or wall-mount AM100



Power on the device and the air quality color light will show.

Figure 3-2 Power On and color light



3.2 Download the apps

You can download the apps for both Android and iOS

Scan the QR code

Figure 3-3 QR Code for App

