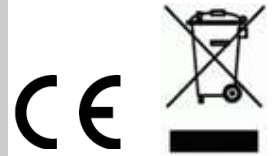


**BLUETOOTH SPEAKER
BS1370E/BS1370US**



Instruction Manual

A. **INTRODUCTION**

This Bluetooth wireless speaker system applies the latest Bluetooth 3.0 wireless technology platform that enables you to enjoy music, video everywhere you want.

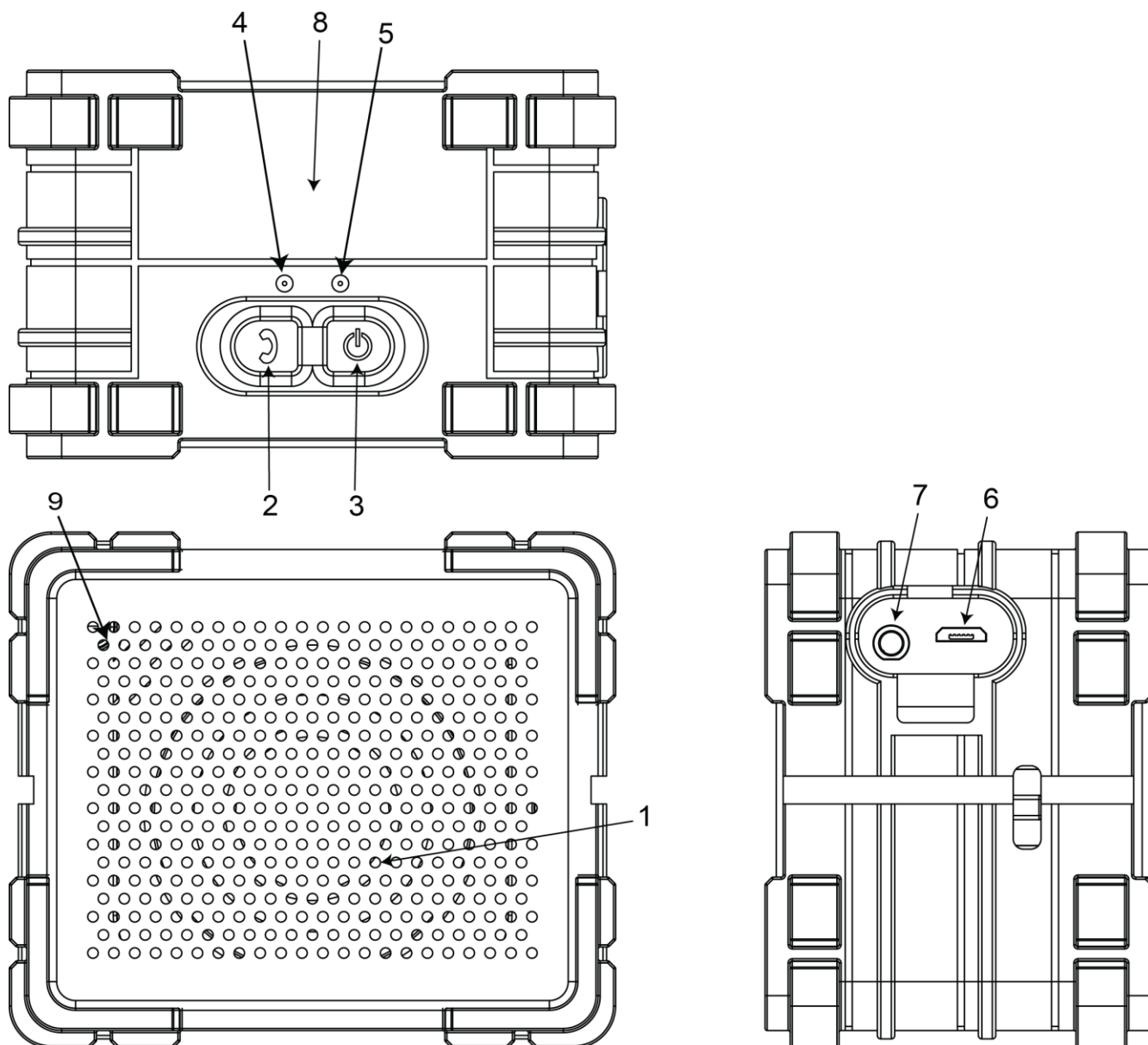
B. **FEATURES**

1. Bluetooth 3.0 Platform
2. A2D Profile
3. Operating distance up to 10 meters / 33 feet (open area)
4. IPX 4 Water-proof feature
5. 3.5mm line in jack
6. Handsfree telephone calling
7. Operation time up to 3-4 hours (medium volume)

C. **PACKAGING**

- 1 X Bluetooth speaker
- 1 X 3.5 to 3.5mm audio cable
- 1 X User manual
- 1 X USB charging Cable

D. COMPONENT IDENTIFICATION



1. SPEAKER
2. Talk /Reset
3. Power ON/OFF
4. Power LED Indicator
5. Charging LED.
6. USB charging jack
7. 3.5mm audio jack
8. NFC
9. Microphone

E. PAIRING

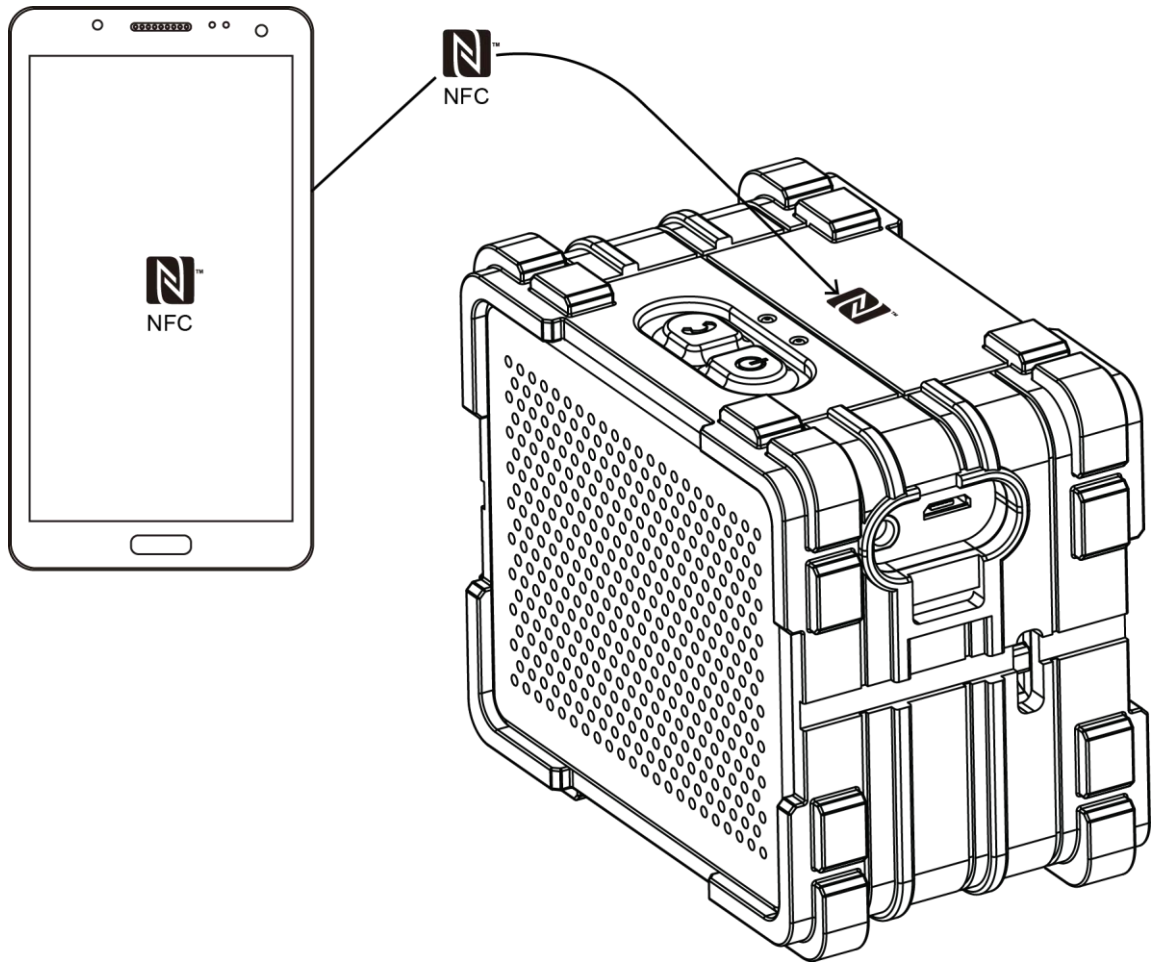
1. Press the power button for 3 seconds to turn the speaker on, the speaker will enter pairing mode immediately. The **Blue** LED light will start flashing quickly.
2. Enable your Bluetooth device such as cell phones, tablets or other Bluetooth media, and

make sure it is in searching mode.

3. Select “HeadRush 8016807” from the list of discovered Bluetooth devices on your cell phones, tablets or other Bluetooth media. Wait for the connection to be completed.
4. Enter “0000” if password is required.
5. Select HeadRush 8016807” from the list of discovered Bluetooth devices on your cell phones, tablets or other Bluetooth media. Wait for the connection to be completed.
6. Enter “0000” if password is required.
7. When Bluetooth connection is made, the **Blue** LED will stop flashing.
8. You can now enjoy your music.

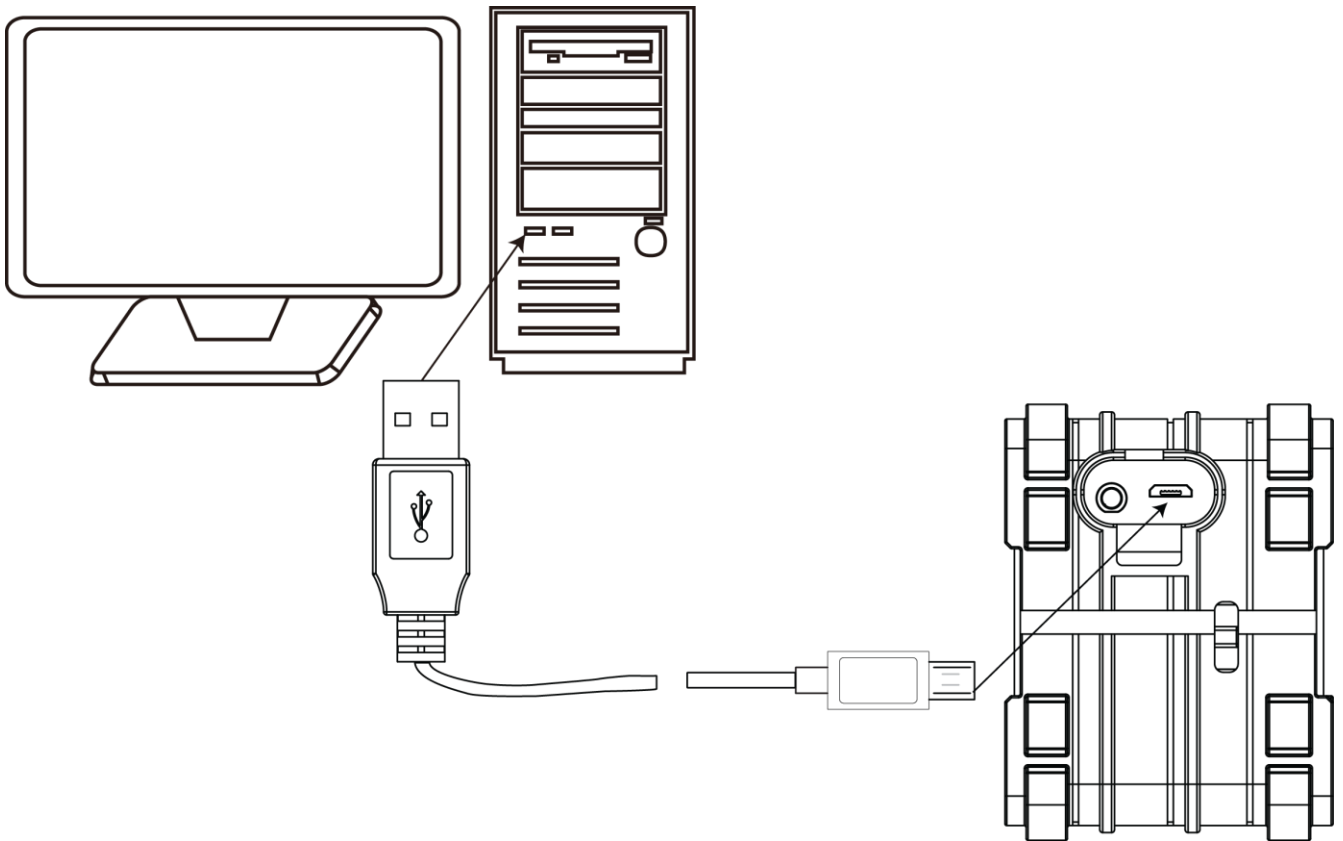
Alternatively pairing by One-touch connection with Near Field Communications (NFC)

1. Press the power button for 3 seconds to turn the speaker on, the speaker will enter pairing mode immediately. The **Blue** LED light will start flashing quickly.
2. Enable your Bluetooth device such as cell phones, tablets or other Bluetooth media.
3. Make sure the NFC is enabled in your device.
4. Use your NFC enabled device and touch the NFC logo on the speaker (as shown in the diagram) , a “beep” sound indicates pairing is successfully done.
5. When Bluetooth connection is made, the **Blue** LED will stop flashing.



F.CHARGING

1. Make sure the speaker is fully charge before initial use.
2. Connect speaker with your PC by the supplied USB to Micro USB cable for charging.
3. Charging is workable to connect with PC by the supplied USB to Micro USB cable for charging.
4. The charging LED will illuminate in Red when charging . Charging is finished when LED turns OFF



G. TELEPHONE CALL

1. If there is an incoming call when streaming music on the speaker, the music will be muted and ring tone will be heard.
2. Take your call by pressing the talk button. Press once again when ending the call. Music will resume again automatically.
3. To make a call, simply dial your cell phone and talk to the speaker.

Note: Check the instruction manual for your cell phones, if getting any process different from the above

H. TECHNICAL SPECIFICATIONS

Carrier Frequency :	Bluetooth 3.0
Battery Capacity :	3.7V 1000mA
Frequency Response :	20Hz -20KHz
Distortion :	<0.5%
S/N Ratio :	65dB (typical)
Operation Distance :	Up to 10 meters / 33 feet (open area)
Audio Output Power :	1 x 2.5W (Max)

NOTES: This speaker is in compliance with the specified Bluetooth version. It does not guarantee compatibility of all functions on every Bluetooth enabled device. Please check with your mobile phone's user manual for compatibility and functionality.

I. TROUBLE SHOOTING

NO SOUND

- Ensure the speaker is charged and with enough power for operation
- Ensure the speaker is ON.
- Ensure BT device is ON.

- The volume of speaker is too low, adjust the volume to an appropriate level.
- Unable to connect with Bluetooth device, RESET the speaker by pressing and holding the Talk button for 12 seconds.

WARNING: Changes or modifications to this unit not expressly approved by the party responsible for compliance could void the user's authority to operate the equipment.

THE FCC WANTS YOU TO KNOW

Warning! This device complies with Part 15 of the FCC rules. Operation is subject to the following two conditions:

- (1) This device may not cause harmful interference and
- (2) this device must accept any interference received, including interference that might cause undesired operation.

Industry Canada Notice

This device complies with Industry Canada licence-exempt RSS standard(s). Operation is subject to the following two conditions: (1) this device may not cause interference, and (2) this device must accept any interference, including interference that may cause undesired operation of the device.

Le présent appareil est conforme aux CNR d'Industrie Canada applicables aux appareils radio exempts de licence. L'exploitation est autorisée aux deux conditions suivantes : (1) l'appareil ne doit pas produire de brouillage, et (2) l'utilisateur de l'appareil doit accepter tout brouillage radioélectrique subi, même si le brouillage est susceptible d'en compromettre le fonctionnement.



If at any time in the future you should need to dispose of this product please note that: Waste electrical products should not be disposed of with household waste. Please recycle where facilities exist. Check with your Local Authority or retailer for recycling advice. (Waste Electrical and Electronic Equipment Directive).

FCC ID: VHC-AAI-BS1370-00