

**BS1370
BLUETOOTH SPEAKER**



Instruction Manual

A. **INTRODUCTION**

This Bluetooth wireless speaker system applies the latest Bluetooth 3.0 wireless technology platform that enables you to enjoy music, video everywhere you want.

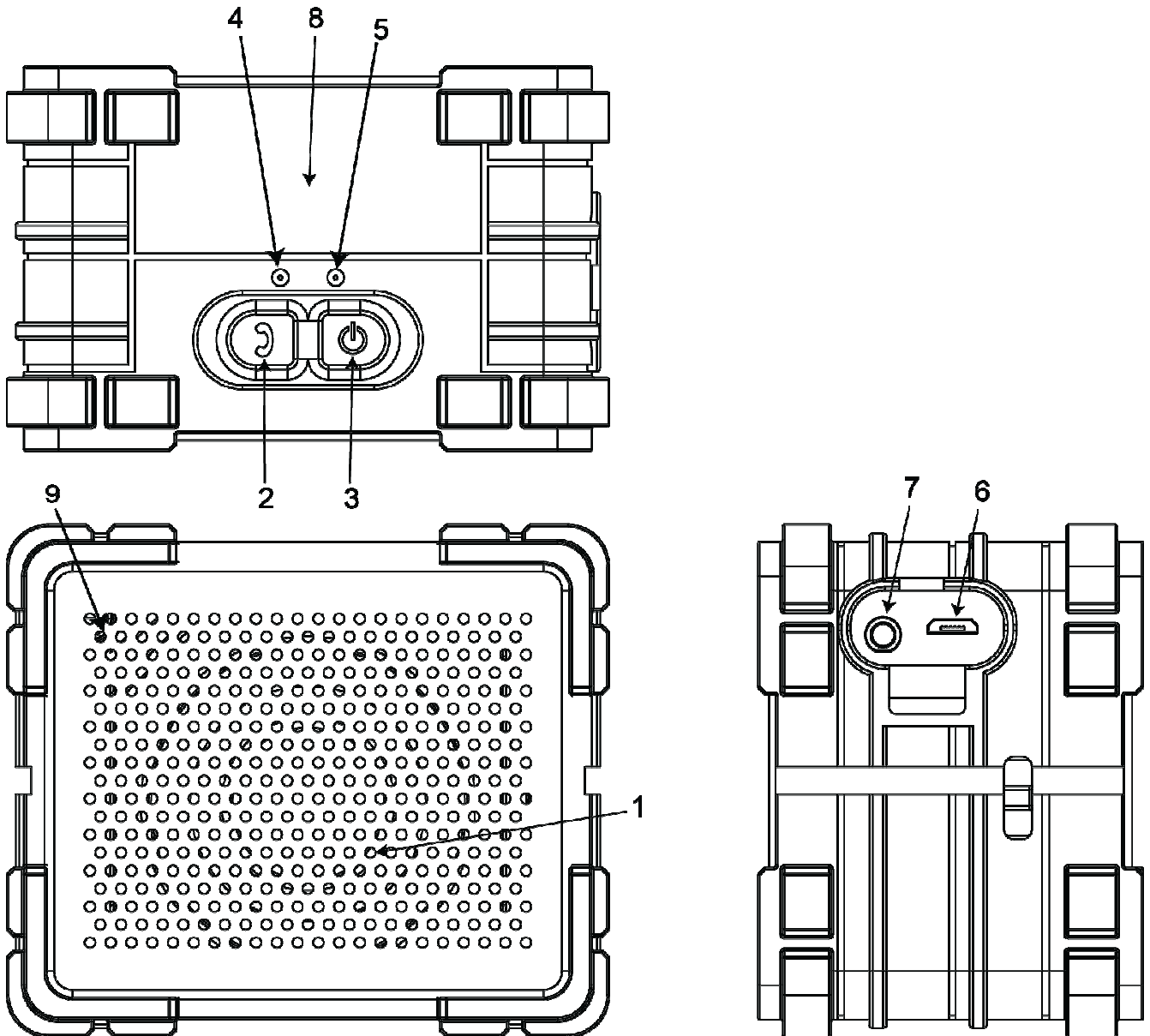
B. **FEATURES**

1. Bluetooth 3.0 Platform
2. A2D Profile
3. Operating distance up to 10 meters / 33 feet (open area)
4. IPX 4 Water-proof feature
5. 3.5mm line in jack
6. Handsfree telephone calling
7. Operation time up to 3-4 hours (medium volume)

C. **PACKAGING**

- 1 X Bluetooth speaker
- 1 X 3.5 to 3.5mm audio cable
- 1 X User manual
- 1 X USB charging Cable

D. COMPONENT IDENTIFICATION



1. SPEAKER
2. Talk /Reset
3. Power ON/OFF
4. Power LED Indicator
5. Charging LED.
6. USB charging jack
7. 3.5mm audio jack
8. NFC
9. Microphone

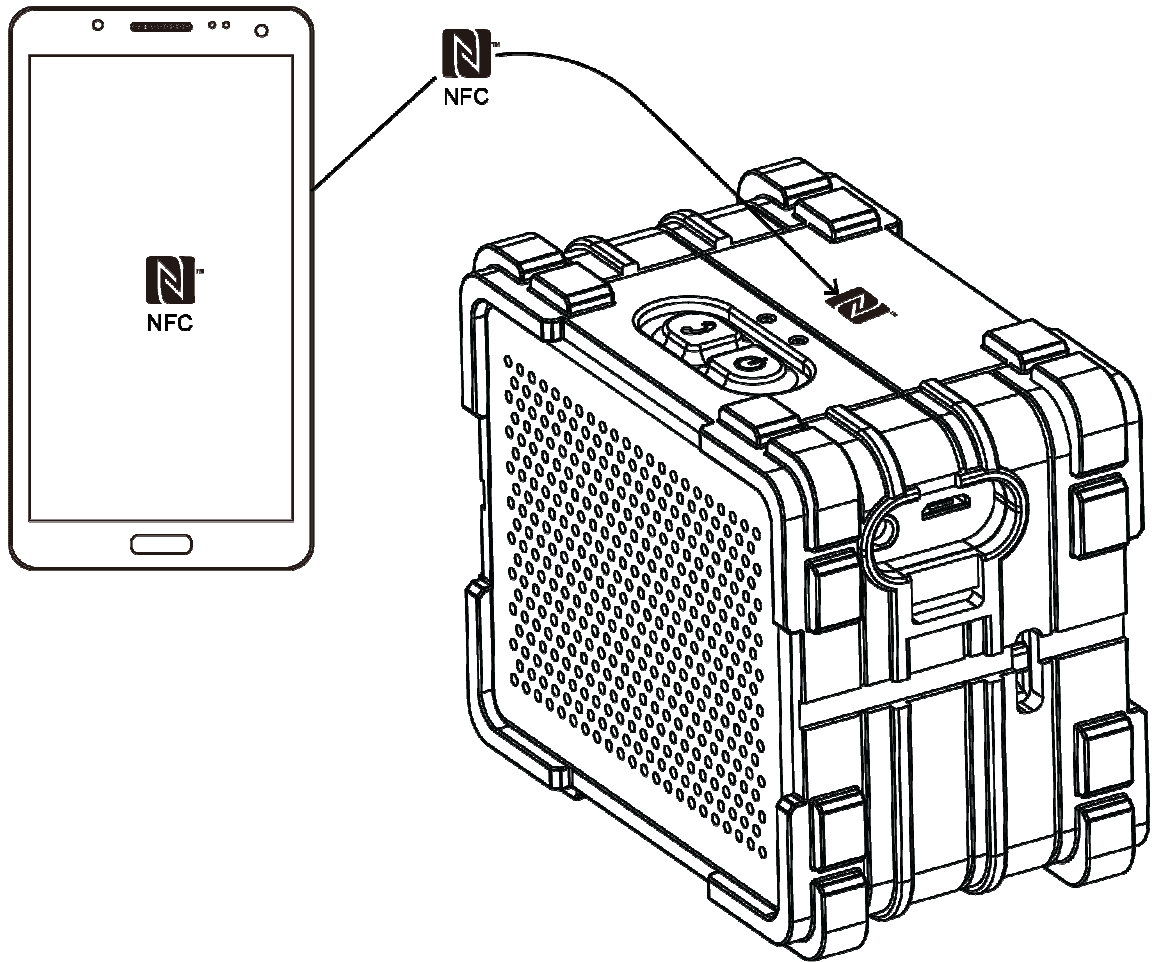
E. PAIRING

1. Press the power button for 3 seconds to turn the speaker on, the speaker will enter pairing mode immediately. The **Blue (or Green to be confirmed)** LED light will start flashing quickly. **The pairing time will last for 5 minutes.**

2. Enable your Bluetooth device such as cell phones, tablets or other Bluetooth media, and make sure it is in searching mode.
3. Select “HeadRush 8016807” from the list of discovered Bluetooth devices on your cell phones, tablets or other Bluetooth media. Wait for the connection to be completed.
4. Enter “0000” if password is required.
5. Select HeadRush 8016807” from the list of discovered Bluetooth devices on your cell phones, tablets or other Bluetooth media. Wait for the connection to be completed.
6. Enter “0000” if password is required.
7. When Bluetooth connection is made, the **solid Blue (or Green to be confirmed) LED will light up.**
8. You can now enjoy your music.

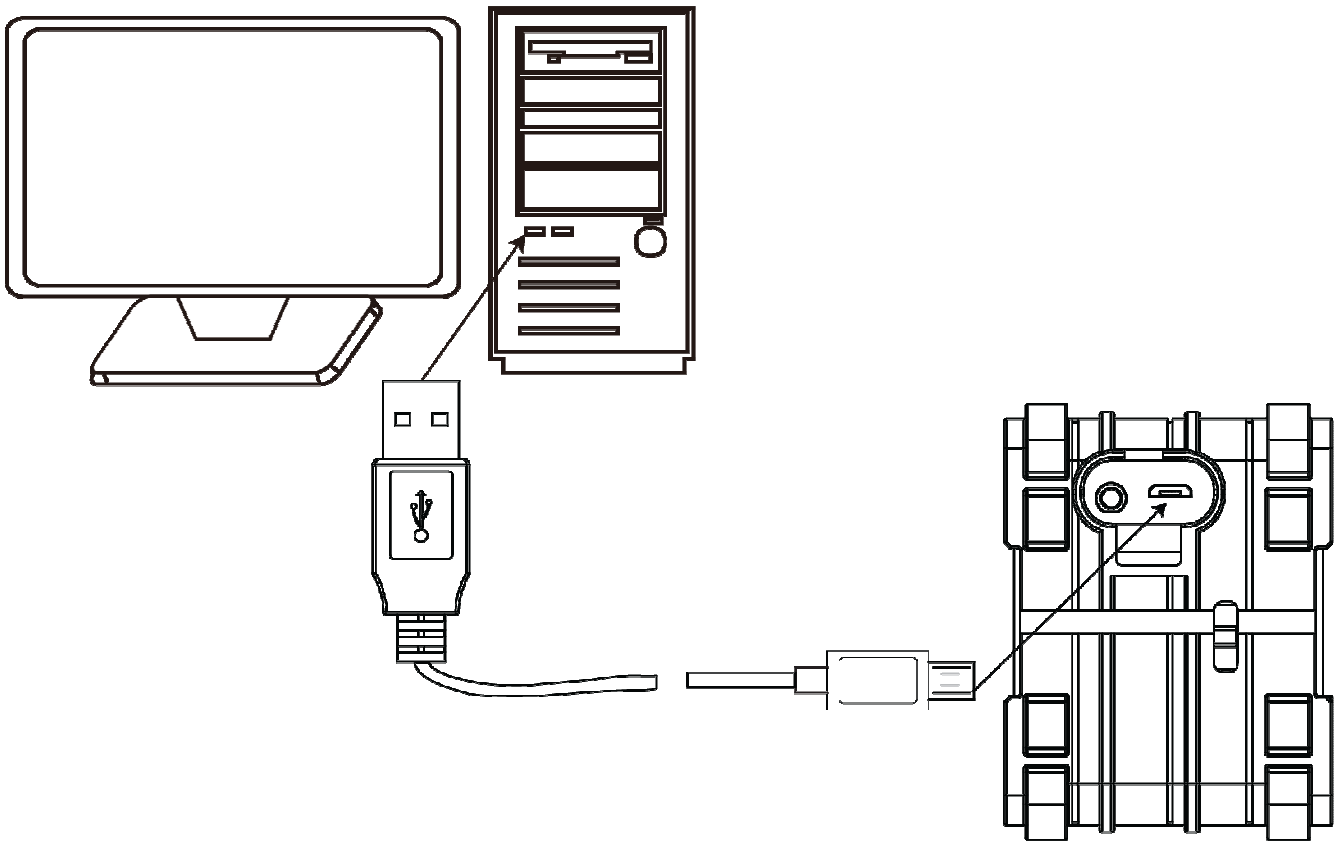
Alternatively pairing by One-touch connection with Near Field Communications (NFC)

1. Press the power button for 3 seconds to turn the speaker on, the speaker will enter pairing mode immediately. The **Blue (or Green to be confirmed)** LED light will start flashing quickly.
2. Enable your Bluetooth device such as cell phones, tablets or other Bluetooth media.
3. Make sure the NFC is enabled in your device.
4. Use your NFC enabled device and touch the NFC logo on the speaker (as shown in the diagram) , a “beep” sound indicates pairing is successfully done.
5. When Bluetooth connection is made, the solid **Blue (or Green to be confirmed)** LED will light up.



F.CHARGING

1. Make sure the speaker is fully charge before initial use.
2. Connect speaker with your PC by the supplied USB to Micro USB cable for charging.
3. Charging is workable to connect with PC by the supplied USB to Micro USB cable for charging.
4. The charging LED will illuminate in Red when charging . Charging is finished when LED turns OFF
5. Fully charge the unit by PC USB port will take 2.5 hours.



G. LINE-IN

1. Connect the speaker with your audio device directly by the supplied 3.5mm cable
2. The Bluetooth wireless music will be by pass after line-in connection is made

H. TELEPHONE CALL

1. If there is an incoming call when streaming music on the speaker, the music will be muted and ring tone will be heard.
2. Take your call by pressing the talk button. Press once again when ending the call. Music will resume again automatically.
3. To make a call, simply dial your cell phone and talk to the speaker.

Note: Check the instruction manual for your cell phones, if getting any process different from the above

I. TECHNICAL SPECIFICATIONS

Carrier Frequency :	Bluetooth 3.0
Battery Capacity :	3.7V 1000mA
Frequency Response :	20Hz -20KHz
Distortion :	<0.5%
S/N Ratio :	65dB (typical)
Operation Distance :	Up to 10 meters / 33 feet (open area)
Output Power :	1 x 2.5W (Max)

NOTES: This speaker is in compliance with the specified Bluetooth version. It does not guarantee compatibility of all functions on every Bluetooth enabled device. Please check with your mobile phone's user manual for compatibility and functionality.

J. TROUBLE SHOOTING

NO SOUND

- Ensure the speaker is charged and with enough power for operation
- Ensure the speaker is ON.
- Ensure BT device is ON.
- The volume of speaker is too low, adjust the volume to an appropriate level.
- Unable to connect with Bluetooth device, RESET the speaker by pressing and holding the Talk button for 12 seconds.

This device complies with Industry Canada Licence-exempt RSS-standard(s). Operation is subject to the following two conditions: (1) this device may not cause interference, and (2) this device must accept any interference, including interference that may cause undesired operation of the device.

Warning: Changes or modifications to this unit not expressly approved by the party responsible for compliance could void the user's authority to operate the equipment.

NOTE: This equipment has been tested and found to comply with the limits for a Class B digital device, pursuant to Part 15 of the FCC Rules. These limits are designed to provide reasonable protection against harmful interference in a residential installation. This equipment generates, uses and can radiate radio frequency energy and, if not installed and used in accordance with the instructions, may cause harmful interference to radio communications.

However, there is no guarantee that interference will not occur in a particular installation. If this equipment does cause harmful interference to radio or television reception, which can be determined by turning the equipment off and on, the user is encouraged to try to correct the interference by one or more of the following measures:

- Reorient or relocate the receiving antenna.
- Increase the separation between the equipment and receiver.
- Connect the equipment into an outlet on a circuit different from that to which the receiver is connected.
- Consult the dealer or an experienced radio/TV technician for help.

This device complies with Part 15 of the FCC Rules. Operation is subject to the following two conditions: (1) this device may not cause harmful interference, and (2) this device must accept any interference received, including interference that may cause undesired operation.

CAN ICES-3(B)/NMB-3(B)