

2.4GHz Wireless Stereo Speaker System



User's Manual

Please read before using the equipment

INTRODUCTION

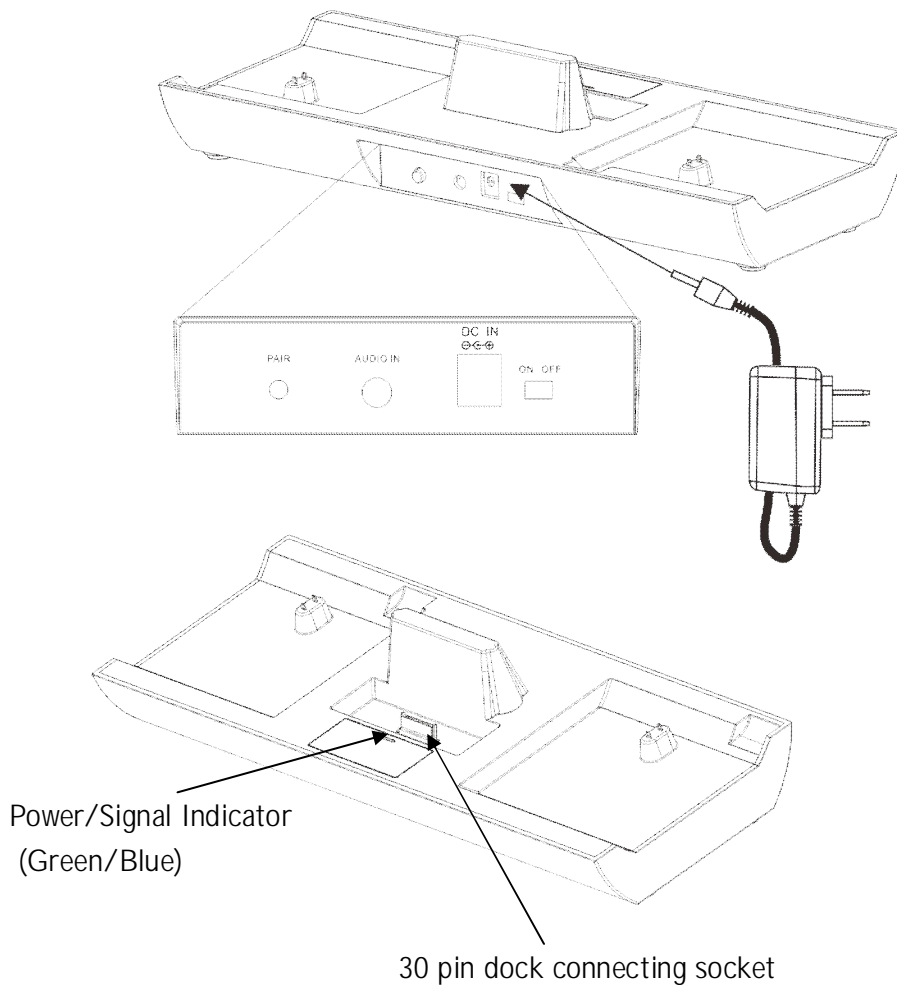
This stereo wireless speaker system applies the latest 2.4GHz wireless technology that enables you to enjoy music and TV sound anywhere inside your home. You can simply connect the transmitter with any audio source such as iPod, iPhone, TV, DVD, Hi-Fi and CD/MP3 player.

FEATURES

1. 2.4GHz digital RF technology
2. Auto Pairing System on speakers
3. Stereo Effect on Speakers
4. Auto Pin Charging System for speaker.
5. 30 pin docking station for iPhone/iPod
6. . Auto 30 pin Charging System for iPhone/iPod.
7. Built-in Rechargeable Battery Pack
8. Operating distance up to 50 meters.
9. No line of sight limitation.
10. Auto ON/OFF control on Transmitter

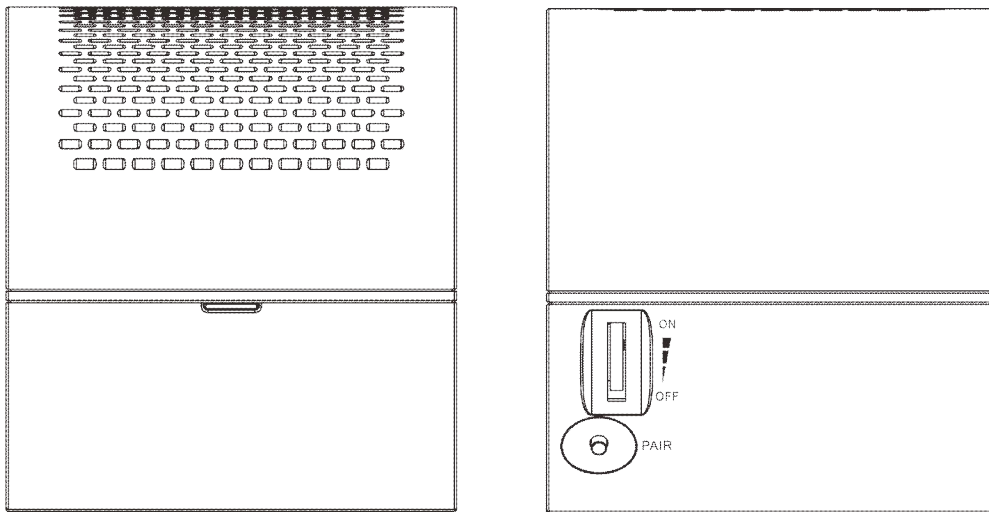
TRANSMITTER

1. Connect the supplied AC power adapter to an electrical wall outlet.
2. Plug the AC power adapter in the DC jack located on the rear of the transmitter.
3. The rear of the transmitter has one audio jack that can be connected to audio output jack of TV, iPod, iPhone, DVD, and CD/MP3 players or to headphone/earphone jack with the connector provided.
4. The transmitter has one 30 pins dock connecting socket for iPhone/iPod. Plug the iPhone/iPod to the socket for audio output and charging.



When the power adapter connection is finished, the LED of transmitter will light up in Green. When the audio cable connection is finished or the iPhone/iPod is plugged to the 30 pins dock connecting socket, turn on the audio source and the LED will turn from Green to Blue.

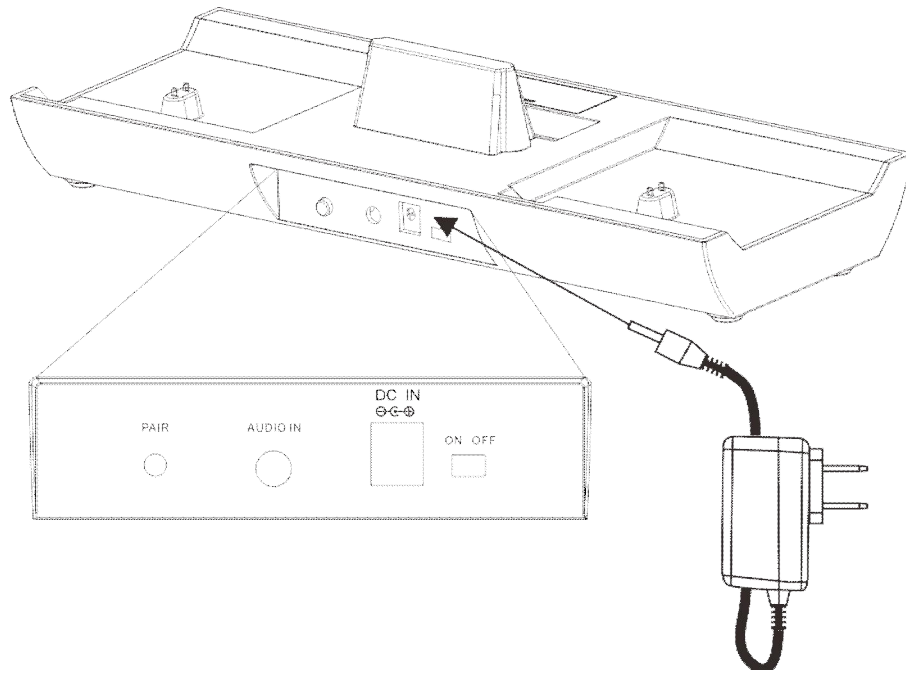
SPEAKERS



1. Charge the speakers by placing them on the transmitter station for 12 hours before initial use. Alternatively, the built-in rechargeable battery pack can be replaced by 8 x "AAA" size ALKALINE batteries.
2. Switch the Power button and turn the speakers ON. The Power/Standby LED will light up in Blue.

OPERATION

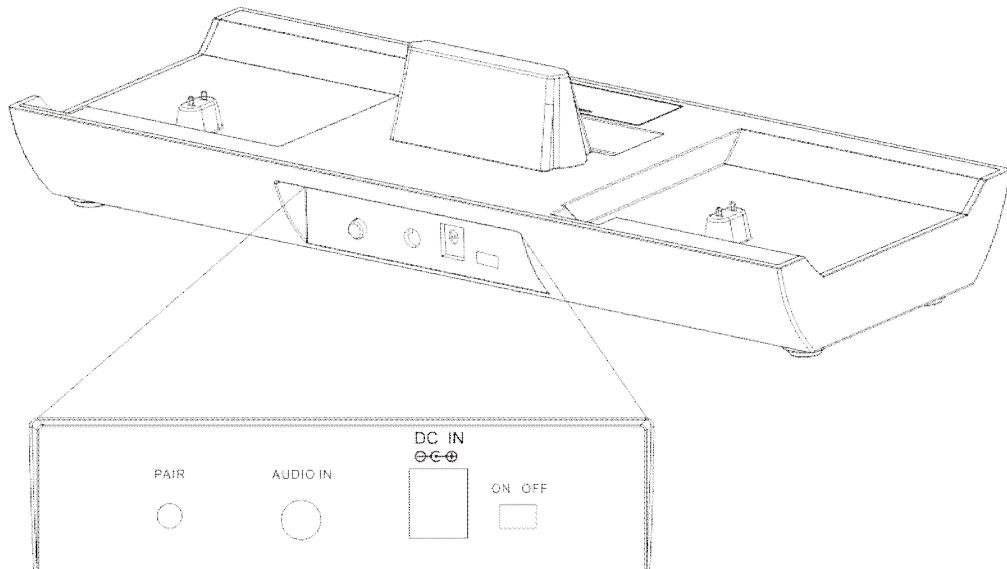
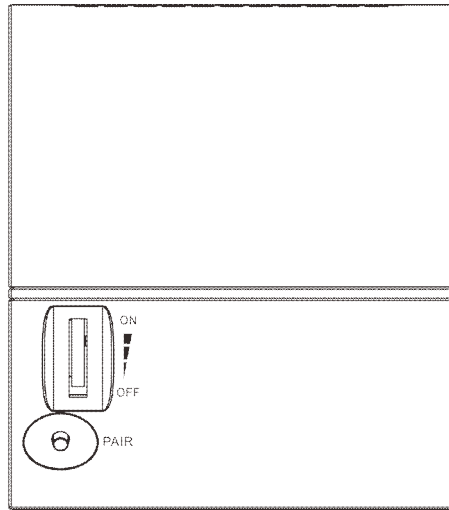
1. Connect the power adapter between wall jack and transmitter. The LED will turn to Green.
2. Turn on the audio source (TV or audio component) to which the transmitter is connected with. The LED will turn from Green to Blue.
3. Turn on the transmitter by switching the ON/OFF button on the rear of transmitter.



4. Turn on the Power button on the speaker and adjust the volume by tuning the volume button for desired listening level.
5. You should now be able to place the speakers freely from room to room without disruption.
6. When the battery is low, the light on the speaker will blink and there is a “du du” sound notification to alert the user to charge the speaker.
7. If no music is detected from speakers, a pairing process is required. Pairing is not necessary if the system works properly.

Pairing

1. Press “Pair” button for 3 seconds on transmitter, the pairing process will continue and LED will flash for about 15 seconds.
2. Press “Pair” button for 3 seconds on speaker when LED on transmitter is flashing.
3. Once the Pairing process is finished, LED on transmitter and speaker turn to solid blue. Music will stream out.
4. When Pairing is matched once, there is no need to do further at next applications.



Charging the iPhone/iPod

1. Connect the power adapter between wall jack and transmitter. The LED will turn to Green.
2. Plug the AC power adapter in the DC jack located on the rear of the transmitter.
3. Plug the iPhone/iPod to the 30 pins dock connecting socket to charge the iPhone/iPod.

SWITCHING OFF

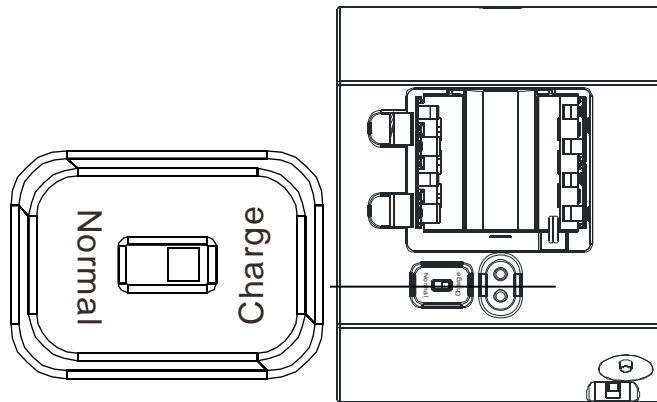
1. If there is no audio input signal to transmitter in 4 minutes, transmitter will

go to standby mode and LED will change from Blue to Green.

2. Turn the switch on the rear of transmitter to OFF.
3. If the power adapter is unplugged, the LED on transmitter will turn off.
4. Speaker will turn to standby mode if there is no input signal to transmitter and LED will become Green. At standby mode, speaker will turn to On automatically after getting signal from transmitter.

Charging the speakers

1. Make sure the switch in the battery compartments is at charging condition.
2. Turn your speakers to off.
3. Place your speakers to the right positions of the cradle on the transmitter.
4. The LEDs on speakers will light up in Red if the charging is under process.



REMARK: For better rechargeable battery life performance, speakers should be turned off when charging.

TROUBLE SHOOTING

NO SOUND

- Ensure the AC adapter is fully inserted into the AC outlet and the power connection input on the transmitter.
- Ensure the speaker is switched ON.
- Speaker's battery capacity is too low, turn off the speakers and recharge the speakers by placing them on transmitter station.
- Ensure the TV or audio component is ON.
- The connected audio / video equipment is not playing. Start playing

the equipment.

- The volume of speaker is too low, adjust the volume to an appropriate level.

DISTORTED

- Battery capacity is too low. Recharge the speakers.
- Ensure the volume level of speakers is adjusted properly.
- The speaker is too far from transmitter, move closer.
- The input level of the audio signal is too low. Turn up the volume of the audio source equipment

TECHNICAL SPECIFICATIONS

Transmission Mode	:	UHF stereo
Carrier Frequency	:	2.4GHz
Operation Voltage	:	Transmitter, DC 15V 2.0A
Frequency Response	:	20Hz – 20KHz
Distortion	:	1.5%
S/N Ratio	:	80dB (typical)
Channel Separation	:	50dB (typical)
Operation Distance	:	Up to 50 meters
Output Power	:	2 x 5W (Max)

Canada Statement

This device complies with RSS-210 of Industry and Science Canada. Operation is subject to the following two conditions : (1) this device may not cause interference, and (2) this device must accept any interference that may cause undesired operation of the device.

WARNING : Changes or modifications to this unit not expressly approved by the party responsible for compliance could void the user's authority to operate the equipment. Operation is subject to the following two conditions: (1) this device may not cause interference, and (2) this device must accept any interference, including interference that may cause undesired operation of the device.

FCC Statement

This equipment has been tested and found to comply with the limits for a

Class B digital device, pursuant to part 15 of the FCC Rules. These limits are designed to provide reasonable protection against harmful interference in a residential installation. This equipment generates uses and can radiate radio frequency energy and, if not installed and used in accordance with the instructions, may cause harmful interference to radio communications. However, there is no guarantee that interference will not occur in a particular installation. If this equipment does cause harmful interference to radio or television reception, which can be determined by turning the equipment off and on, the user is encouraged to try to correct the interference by one or more of the following measures:

- Reorient or relocate the receiving antenna.
- Increase the separation between the equipment and receiver.
- Copnnect the equipment into an outlet on a circuit different from that to which the receiver is connected.
- Consult the dealer or an experienced radio/TV technician for help.

FCC Caution

- Changes or modifications to this unit not expressly approved by the party responsible for compliance could void the user's authority to operate this equipment.
- This device complies with Part 15 of the FCC Rules. Operation is subject to the following two conditions: (1)This device may not cause harmful interference, and (2) this device must accept any interference received, including interference that may cause undesired operation.