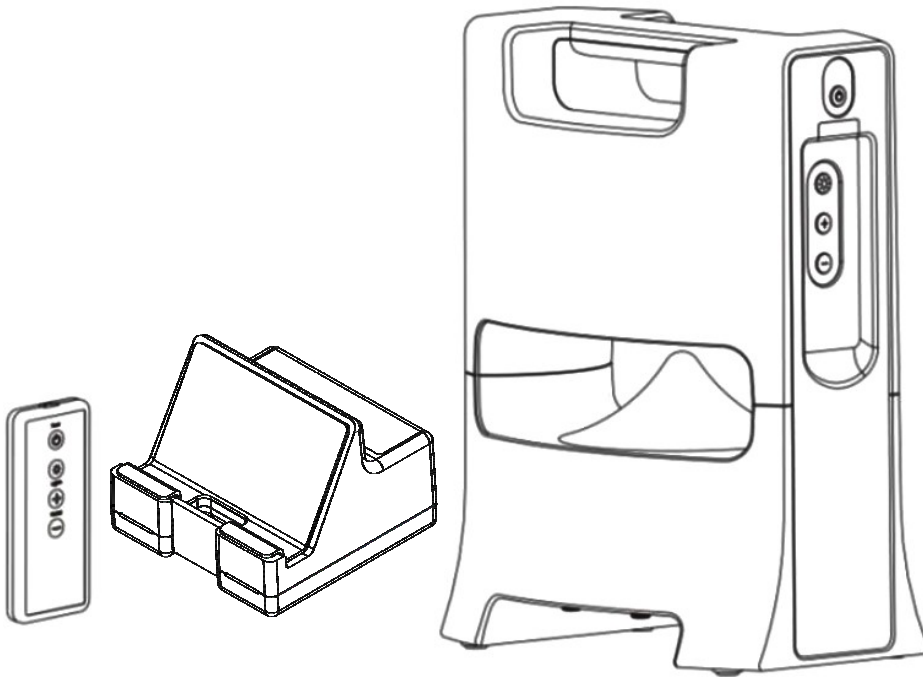


2.4GHz Wireless Speaker

BD-9674-N



Owner's Manual

(Read the instructions carefully before using this system)

www.audio-unlimited.com

www.cablesunlimited.com

Introduction

This 2.4GHz digital wireless speaker system utilizes the most advanced wireless technology to deliver dynamic, high-quality audio anywhere inside or outside your home. The wireless audio transmission travels freely through walls, floors and other solid objects. Simply connect the system to ANY audio source such as iPhone, iPod, MP3 player, smartphone, computer, TV or home theater system to enjoy full-spectrum, lifelike sound without complicated wiring and installation.

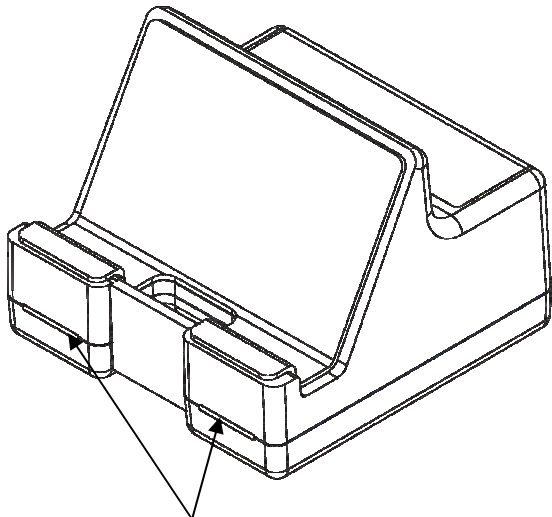
Features

1. 2.4GHz Frequency Hopping Spread Spectrum (FHSS) digital transmission.
2. 32-Channel scan-tuning between transmitter and receiver.
3. Audio output power up to 20 Watts RMS per channel.
4. Weather-resistant speakers and remote control.
5. Optional blue mood light.
6. Dual weather-resistant speaker driver (super bass and tweeter built-in).
7. Optional pairing between transmitter and speakers. Only needed when using more than one speaker.
8. Supports up to six speakers in either L/R stereo or mono modes.
9. AUX IN jack on each speaker. This allows you to plug an audio source DIRECTLY into the speaker (without the use of the wireless transmitter) with a standard 3.5mm audio cable (not included). This will produce sound in only that one speaker.
10. Operating distance up to 50 meters (150') in open areas (less through walls and other obstructions).
11. Works through walls, floors and anywhere in the room.
12. Virtually interference-free stereo quality.
13. Electronic Volume Control on Speakers.
14. One remote control unit that conveniently stores magnetically in either speaker.
15. Speakers are powered by 6 'D' batteries (not included), or by included AC adapters.
16. Dual Powered Transmitter powered by 4 'AA' batteries (not included), or by included AC adapter
17. The transmitter supports up to six SPK-24GX speakers. **NOTE:** This transmitter is not compatible with the earlier model SPK-24G (white color) speakers

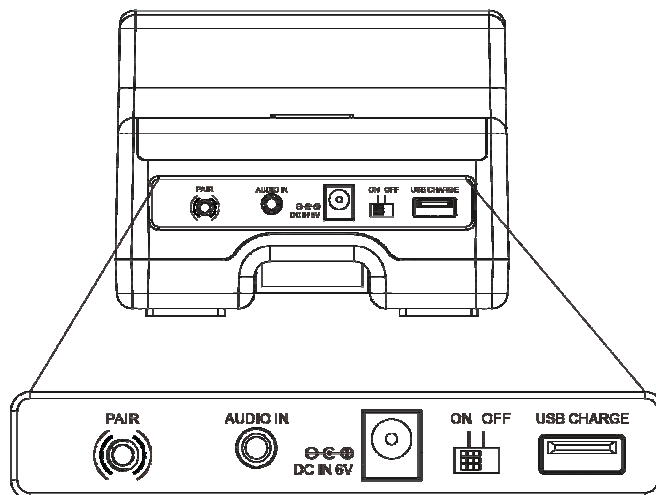
Package content

- i. 1 x RF Transmitter
- ii. 2 x RF Speakers
- iii. 1 x Remote Control
- iv. 1 x AC/DC Adapter for Transmitter
- v. 2 x AC/DC Adapters for Speakers
- vi. 3.5mm TO 3.5mm Audio Cable Black L=1500mm
- vii. 3.5mm TO 6.3mm JACK PLUG
- viii. 1 x User Manual

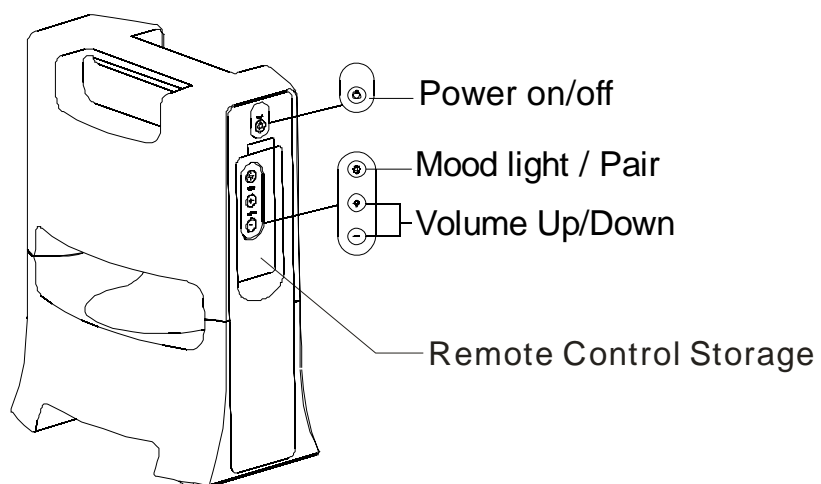
Transmitter



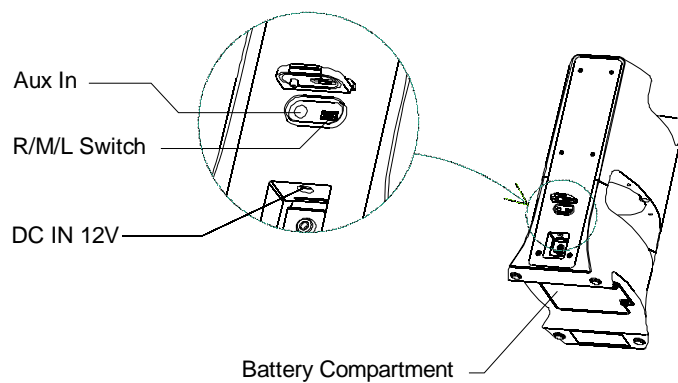
Power "ON" indicator



Speaker

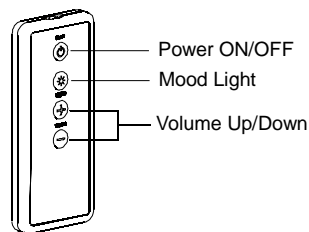


Front View



Rear View

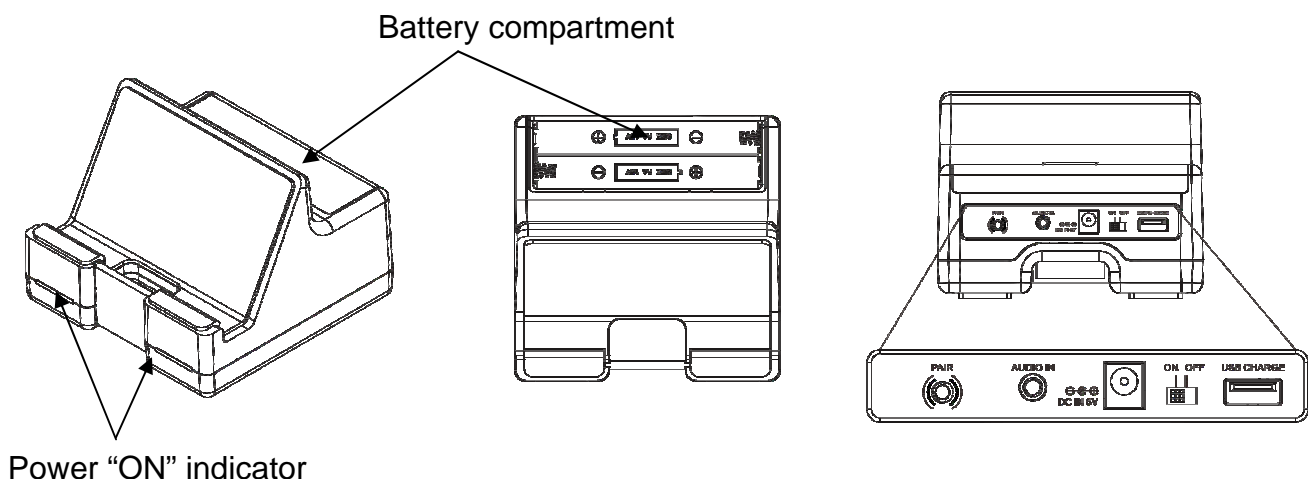
Remote Control



Installation

Transmitter

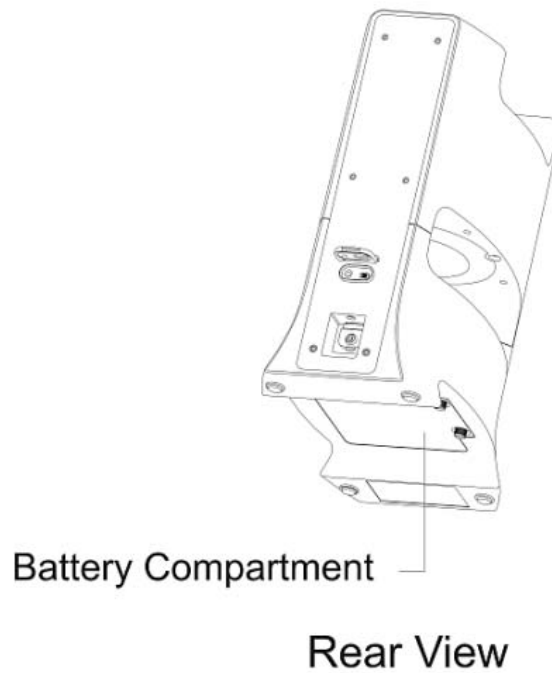
1. Plug the included AC/DC adapter into a standard wall outlet.
2. Insert the adapter connector plug firmly into the DC IN jack located on the rear panel of the transmitter base, OR
3. Insert 4 'AA' alkaline batteries (not supplied) in the battery compartment and close the battery door. A blinking BLUE light on transmitter indicates drained batteries
4. Extend the retractable audio cable located on the back panel of the transmitter and connect it to the output jack of virtually any audio source.
Note: Do not fully extend the cable until ready to retract.
5. To retract the cable, pull it until it is fully extended and then allow it to feed back into the base.
6. If the audio source device has red and white audio out RCA jacks use the included RCA to RCA cable to connect the device to the transmitter. Plug the RCA cable into an open AUX OUT port on the back of your receiver, or plug directly into your TV set. If the RCA cable is used the retractable cable is not connected to any device and should not be extended.
7. USB jack at side panel for audio input as well as recharging of iPhone & iPod.



Speaker

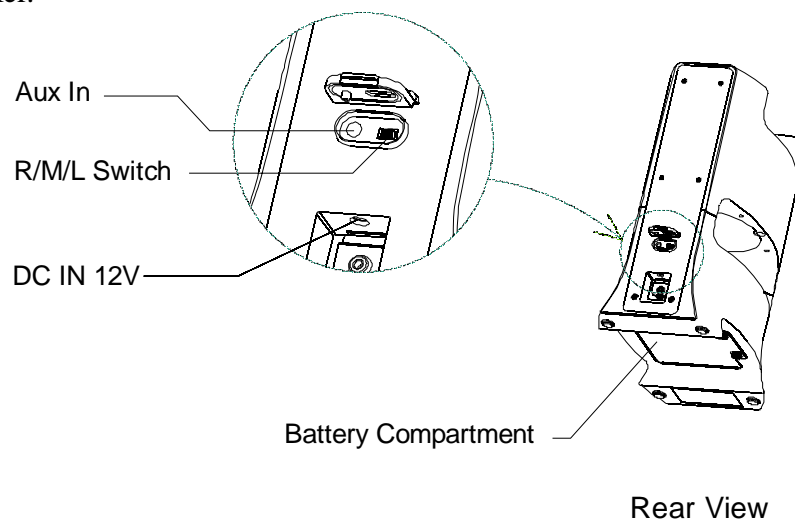
Battery Power

1. To operate the speaker using battery power, gently turn the speaker over and open the battery compartment cover located underneath.
2. Insert six (6) D alkaline batteries (not provided) into the battery compartment, observing proper +/- polarities as indicated in the speaker compartment.
3. Replace the battery compartment cover.



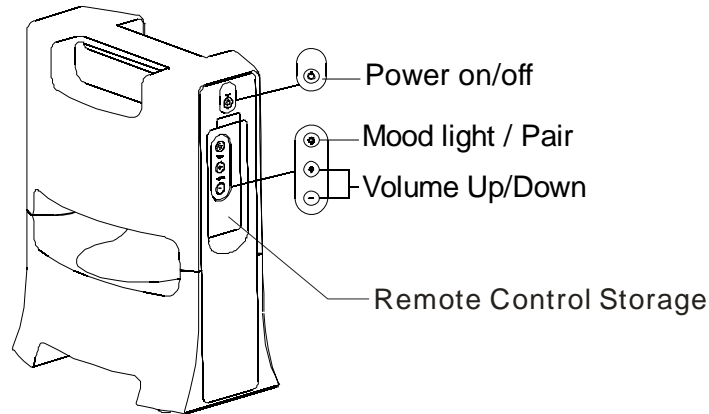
AC Power

1. To operate the speaker using AC power, plug the included 12V power adapter into a standard wall outlet.
2. Insert the power adapter connector firmly into the DC IN jack located on the back panel of the speaker.



Operation

1. To turn on the speaker, press and hold the POWER button for 3 seconds. The GREEN power LED illuminates.
2. To turn off the speaker, press and hold the POWER button for 3 seconds again.



Front View

Remote Control

1. The remote control is ready to use with a factory-installed button cell battery. It can be stored in the recessed area on the front panel.
2. Press “+” “-” button to get desired volume level.
3. Press the Light button to turn on/off the Mood light feature.
4. When the speakers are on, pressing the “Power” button puts them in standby mode. The speaker BLUE light changes to GREEN.
5. Pressing the “Power” button while the speakers are in standby mode puts them back to active mode. The GREEN light changes to BLUE.

NOTE: The remote control can be used to raise or lower the volume or change the status of the speakers from active to standby or from standby to active. If the speakers are completely powered off the remote will not power the system up.

Basic Operation

1. When the transmitter is plugged in or batteries are inserted, turn the on/off switch to ON. The transmitter's light will be GREEN.
2. To turn on the speaker, press and hold the POWER button on the front panel of the speaker for 3 seconds. The Power buttons light will be GREEN.
3. Turn on the audio source and set the source volume to 75% of maximum. The BLUE light on the transmitter and speaker illuminate when the audio signal link between the two is made. This will

typically take no more than 5 seconds.

4. If the audio source connected to the transmitter is turned off for less than 4 minutes, the BLUE lights on the transmitter and the speaker remain on, but no sound is transmitted. When the audio signal is turned back on, sound is transmitted again.
5. If no signal is detected for more than 4 minutes, the transmitter automatically turns off and goes into STANDBY mode. The BLUE lights on the transmitter and the speaker switch to GREEN.
6. If no audio signal is detected from the transmitter for more than 15 minutes, the speaker automatically turns off. The GREEN LED goes off.
7. To turn speakers on, press the POWER button on the front panel of the speaker for 3 seconds.
8. To turn the speakers off, press the POWER button on the front panel for 3 seconds.

PAIRING

1. PAIRING is needed when 2 or more speakers are being used with the same audio source.
2. Press the 'Pair' button on the transmitter and the 'Light/Pair' button on one of the speakers for 5 seconds there will be an audio test tone when the pairing process is finished.
3. The first speaker is now paired and memorized by the transmitter.
4. Repeat the procedure on the second speaker by pressing the "Pair" and the "Light/Pair" button on the transmitter and the second speaker respectively.
5. Repeat this procedure on any additional speakers.

Blue Mood Light

For mood light effect, press the LIGHT button on the speaker or remote control.

Left / Right Channel and Mono Selection

The SPK-24GX-DUO Wireless Speaker System comes with two speakers and is designed for either Mono or Stereo playback. Mono playback is suggested when each speaker is used in a separate area or room. The transmitter supports up to a total of 6 speakers in stereo or mono modes.

Mono Playback

To enable Mono playback, ensure that the switch located on the back panel of the speaker is in the MONO position.

Stereo Playback

To enable Stereo playback, set the switch on one of the two speakers' back panel to LEFT. Set the switch on the other speaker to RIGHT.

Note 1: It is also possible to listen to only the Left or Right audio channel using only the speaker set. To do so, simply set the switch on the speaker's back panel to LEFT or RIGHT. Only the channel selected will be audible.

Note 2: If two speakers are connected to the system, ensure both speakers are placed within the

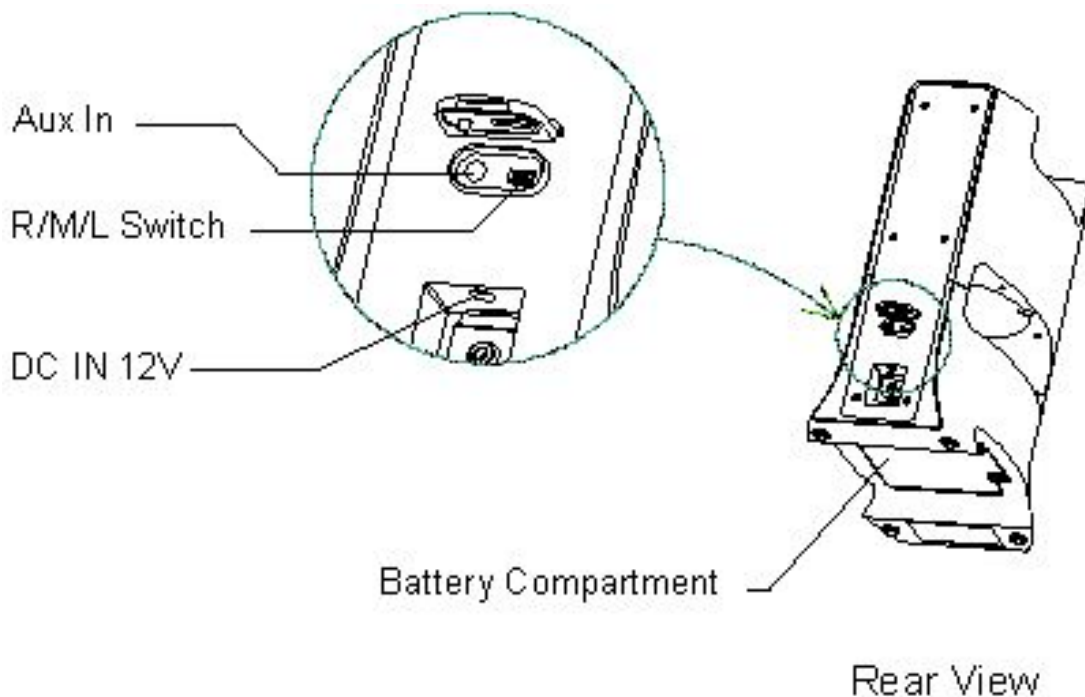
effective operational range. If either speaker is out of range it will cause distortion to both speakers.

AUX In

To connect an audio device directly to the speaker insert a 3.5mm audio cable (not included) from the source device into the 'AUX In' jack located on the back panel of each speaker. This feature sends audio directly to the connected speaker. It does not send an audio signal to the second speaker. Set the volume on the audio source device 75% of maximum.

Note:

- If the source signal is too weak for reception, the speaker automatically switches off after approximately 4 minutes to protect the unit and save power. If the source signal returns to an adequate level, the speaker automatically switches back on.
- When the speaker is in Standby mode, the speaker automatically switches off after approximately 15 minutes to protect the unit and save power.
- To switch speaker power back on during Standby mode, press the POWER button on the remote control. The signal link between the transmitter and speaker reconnects automatically.



Troubleshooting

No sound

- Ensure the AC adapter is securely plugged into the wall outlet and the transmitter DC IN jack.
- If using batteries to power the transmitter a blinking BLUE light on transmitter indicates drained batteries. Replace with 4 fresh AA batteries
- Press the “PAIR” button on the transmitter and the ‘Light/Pair’ button on one of the speakers for 5 seconds. There will be an audio test tone when the pairing process is finished. Repeat the procedure on each additional speaker.
- Ensure the speaker POWER button is in the ON position.
- Speaker batteries may be too weak. Replace with new batteries or connect with the included AC adapter.
- Ensure the connected audio device is switched on and is producing a signal.
- Ensure that the audio device volume level is set 75% of maximum.
- Redo the pairing process by pressing the “Pair” button on the speakers and transmitter simultaneously.

Distortion

- Speaker batteries may be too weak. Replace with new batteries or connect with the included AC adapter. Blinking BLUE light on transmitter indicates drained batteries.
- Ensure that the audio device volume level is set 75% of maximum.
- The speakers are too far from the transmitter. Move closer to the transmitter base.
- The audio input signal may be too low or too high. Set the audio source to 75% of maximum.
- Ensure both speakers are placed within the effective operational range. If either speaker is out of range it will cause distortion to both speakers.

Specifications

Transmission Mode:	UHF Stereo
Carrier Frequency:	2.4GHz Digital
Operation Voltage:	Transmitter, DC 6V 2A Speaker, DC 12V 1.5A or 6 x D alkaline batteries (not included) Remote Control, 1 x CR2032 button cell
Frequency Response:	30 Hz – 20 KHz
Distortion:	0.5%
S/N Ratio:	65 dB
Operation Distance:	Up to 50 meters (open area)
Speaker Audio Output Power:	20W Max. (RMS)

WARNING: Changes or modifications to this unit not expressly approved by the party responsible for compliance could void the user's authority to operate the equipment. Operation is subject to the following two conditions: (1) this device may not cause interference, and (2) this device must accept any interference, including interference that may cause undesired operation of the device.

ATTENTION:

The transmitter for this speaker set is designed to work with a wide variety of devices. Our tests show the default volume levels of iPods, MP3 players and other devices connected to the transmitter through the headphone jack does not have the signal strength required by the transmitter. Raising the volume of your device will increase the signal strength to the transmitter. The blue signal LED will switch from flashing to steady when the required signal strength from your device is reached. We recommend that you keep the volume set on your iPod or MP3 player at a minimum of ¾ of full volume.

FCC COMPLIANCE STATEMENT

This device complies with Part 15 of the FCC Rules. Operation is subject to the following two conditions: (1) This device may not cause harmful interference, and (2) this device must accept any interference received, including interference that may cause undesired operation.

“NOTE: This equipment has been tested and found to comply with the limits for a Class B digital device, pursuant to part 15 of the FCC Rules. These limits are designed to provide reasonable protection against harmful interference in a residential installation. This equipment generates, uses and can radiate radio frequency energy and, if not installed and used in accordance with the instructions, may cause harmful interference to radio communications. However, there is no guarantee that interference will not occur in a particular installation. If this equipment does cause harmful interference to radio or television reception, which can be determined by turning the equipment off and on, the user is encouraged to try to correct the interference by one or more of the following measures:

—Reorient or relocate the receiving antenna.

—Increase the separation between the equipment and receiver.

—Connect the equipment into an outlet on a circuit different from that to which the receiver is connected.

—Consult the dealer or an experienced radio/TV technician for help.”