



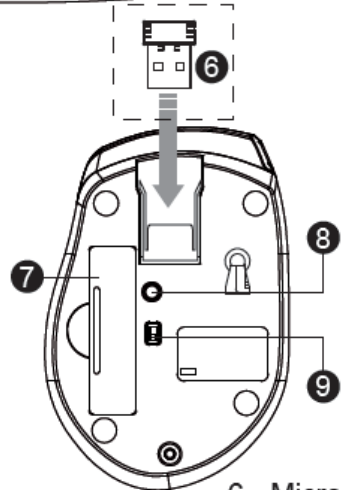
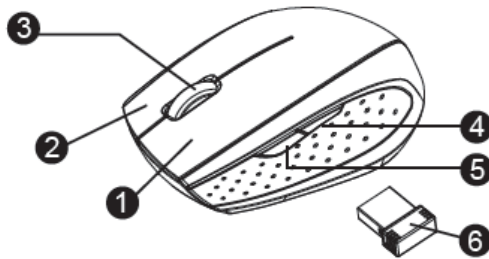
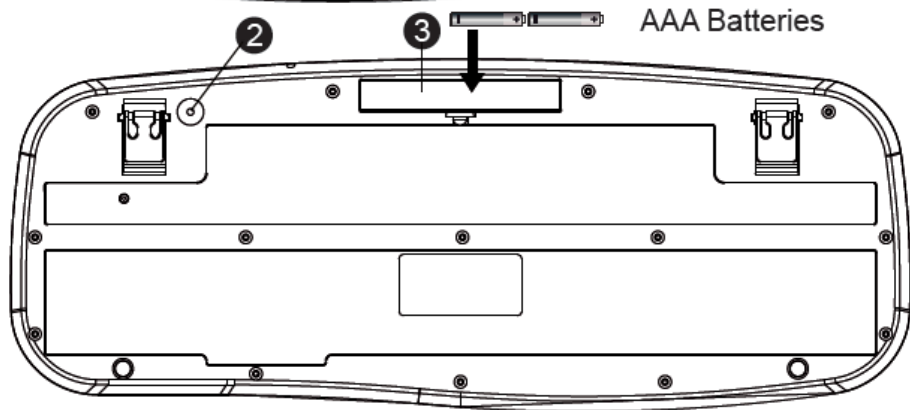
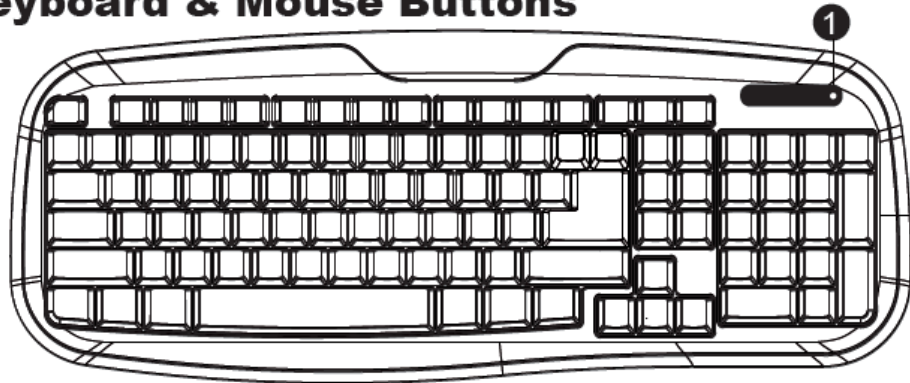
Wireless Keyboard and Mouse
with Nano Receiver

Model: LS6400R

PRODUCT GUIDE

English

Keyboard & Mouse Buttons



Keyboard Buttons

1. LED Indicator
2. Connect Button
3. Battery Cover

Mouse Buttons

1. Left button
2. Right button
3. Scrolling Wheel / LED Indicator
4. Backward
5. Forward

6. Micro Receiver
7. Battery Cover
8. Connect Button
9. OFF/ON Switch

FCC Caution: Any changes or modifications not expressly approved by the party responsible for compliance could void the user's authority to operate this equipment.

This device complies with Part 15 of the FCC Rules. Operation is subject to the following two conditions: (1) This device may not cause harmful interference, and (2) this device must accept any interference received, including interference that may cause undesired operation.

Setup the Connection between the Receiver and the Mouse, Keyboard

1. Plug the Micro receiver into the USB port of your computer.
2. Insert the batteries into the mouse and keyboard, then follow the steps below.
3. If the mouse or the keyboard is not working, please put them into pair mode.
4. Pairing: Re-plug the receiver into the USB port of your computer, then press the connect button of the mouse and keyboard. If the mouse or keyboard does not work after 10 seconds, Re-pair again.(The receiver has auto pairing function).
5. When the keyboard battery is low, the Low Power indicator flashes.

During pairing

