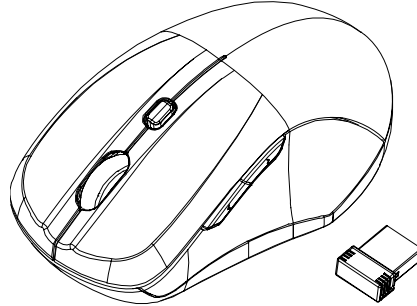


2.4GHz Wireless BlueTrace Mouse with Windows 8 Hotkeys

USER'S GUIDE

Ver.:1.00



CAUTION: To use this product properly, please read the user's guide before installing.

Federal Communication Commission Interference Statement

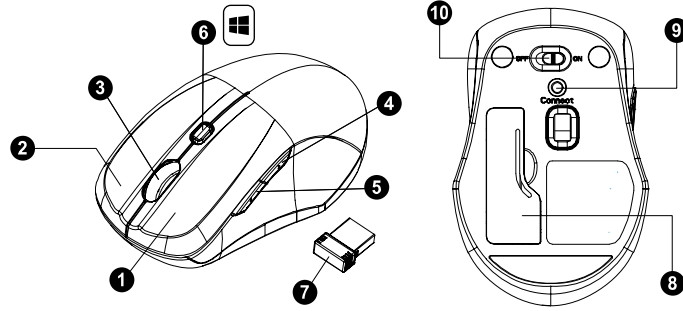
This equipment has been tested and found to comply with the limits for a Class B digital device, pursuant to Part 15 of the FCC Rules. These limits are designed to provide reasonable protection against harmful interference in a residential installation. This equipment generates, uses and can radiate radio frequency energy and, if not installed and used in accordance with the instructions, may cause harmful interference to radio communications. However, there is no guarantee that interference will not occur in a particular installation. If this equipment does cause harmful interference to radio or television reception, which can be determined by turning the equipment off and on, the user is encouraged to try to correct the interference by one of the following measures:

- Reorient or relocate the receiving antenna.
- Increase the separation between the equipment and receiver.
- Connect the equipment into an outlet on a circuit different from that to which the receiver is connected.
- Consult the dealer or an experienced radio/TV technician for help.

FCC Caution: Any changes or modifications not expressly approved by the party responsible for compliance could void the user's authority to operate this equipment.

This device complies with Part 15 of the FCC Rules. Operation is subject to the following two conditions: (1) This device may not cause harmful interference, and (2) this device must accept any interference received, including interference that may cause undesired operation.

How to ...recognize the parts



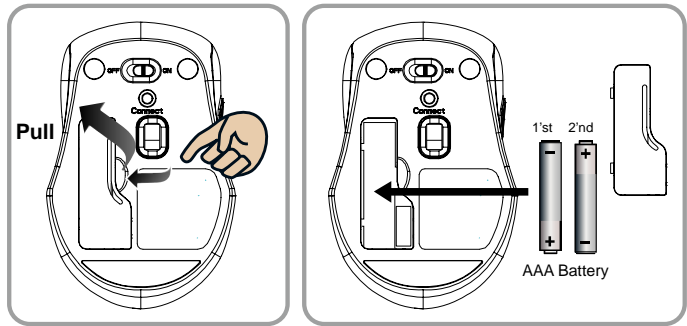
1. Left button
2. Right button
3. Scrolling Wheel
4. Front hotkey
5. Back hotkey
6. LED switch key
7. Nano Receiver
8. Battery Cover
9. Connect Button
10. OFF/ON Switch

How to... set up your wireless mouse

Step 1: Take the battery cover off.

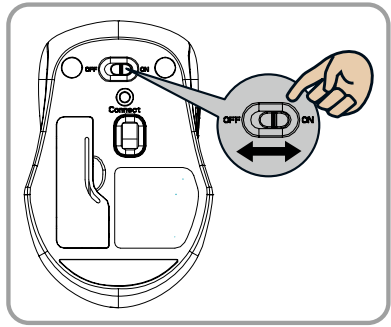
Step 2: Insert the batteries as shown inside the battery compartment.

Step 3: Replace the battery cover



Step 4: Turn on power switch.

Step 5: Your mouse will connect automatically, letting you use your mouse wirelessly





How to... pair your wireless mouse and computer

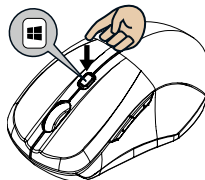
If your wireless Laptop Mouse has not been connected to your computer after completing the previous steps, the following information will help you to complete the connection.

1. Turn off and turn on the POWER SWITCH on your mouse.
2. Make sure the computer is switch on.
3. Disconnect then reconnect the NANO RECEIVER on the computer.
4. Press the CONNECT BUTTON on the underside of the mouse.
5. The LED SWITCH KEY will flash 10 seconds to indicate the mouse is pairing with the nano receiver on the computer.
6. Your mouse will connect automatically.

How to... recognize the operating system

Step 1: makes sure your wireless mouse is properly connected to your computer

Step 2: press the LED SWITCH KEY , follow the indication of below LED lighting on the switch key .



LED SWITCH KEY	Change to which system
BLUE LED on 10sec	Window 8
BLUE LED OFF	Window7 ,window Vista, Window XP, Windows 2000, Mac OS x 10.5 or later

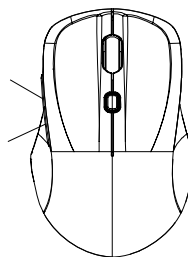
Step 3: If you need to travel with your wireless mouse, you can disconnect the nano receiver. Your mouse will remember the last operating system until the next time you reconnect the nano receiver to the computer.

How to... use the hot keys

Your wireless mouse has special FRONT HOTKEY and BACKHOT KEY designed for windows systems. For instructions on understanding the functions see below.

FRONT HOTKEY

System	function
Window 8	APPs Manu
Window7 Window Vista Windows XP Windows 2000	Backward
Mac OS x 10.5 or later	Not Support



BACK HOTKEY

system	function
Window 8	Charms Manu
Window7 Window Vista Windows XP Windows 2000	Forward
Mac OS x 10.5 or later	Not Support

Battery Warning Statement...

1. Please insert the batteries with the correct position according to the instruction labeled in the mouse.
2. The batteries shall not be exposed to excessive heat such as sunshine, fire or the like.
3. Do not mix old and new batteries
4. Do not mix alkaline, standard (carbon-zinc), or rechargeable (ni-cad, ni-mh, etc) batteries.