



Wireless Mouse

Model: ONA15HO101

PRODUCT GUIDE

CAUTION: To use this product properly, please read the user's guide before installation

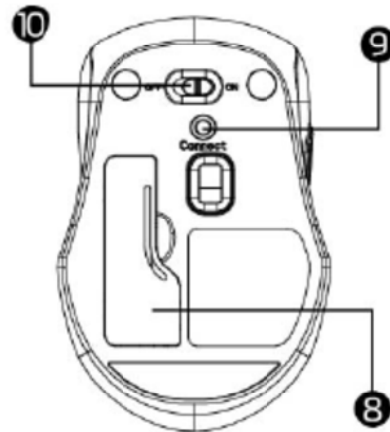
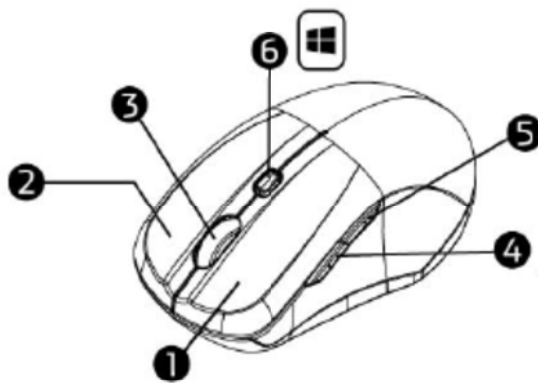
Introduction

Thank you for your purchase of ONN hot keys wireless mouse. This is a plug and play device for your computers or laptops so no additional software is required. Please read the maintenance section overleaf carefully before using your hot keys wireless mouse.

Operating System

- * Microsoft Windows 8
- * Microsoft Windows 7
- * Microsoft Windows Vista
- * Microsoft Windows XP
- * Microsoft Windows 2000
- * Mac OS x10.5 and later

How to ...recognize the parts



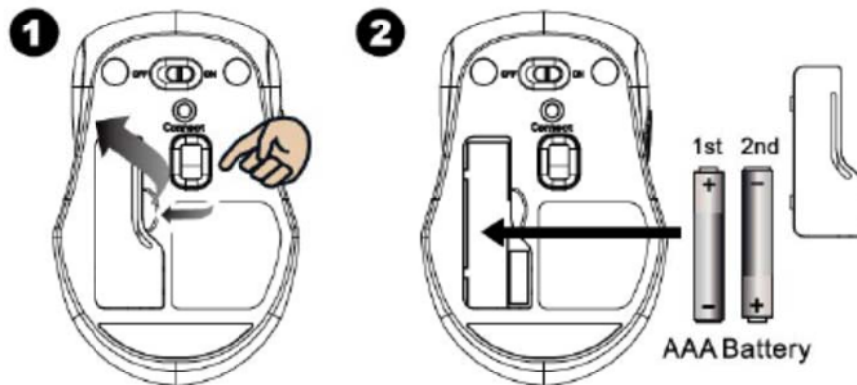
- 1. Left button
- 2. Right button
- 3. Scrolling wheel
- 4. 4th hot key
- 5. 5th hot key
- 6. Switch key
- 8. Battery cover
- 9. Connect button
- 10. OFF/ON switch

How to... set up your wireless mouse

Step 1: Take the BATTERY COVER off.

Step 2: Insert the batteries as shown inside the battery storage.

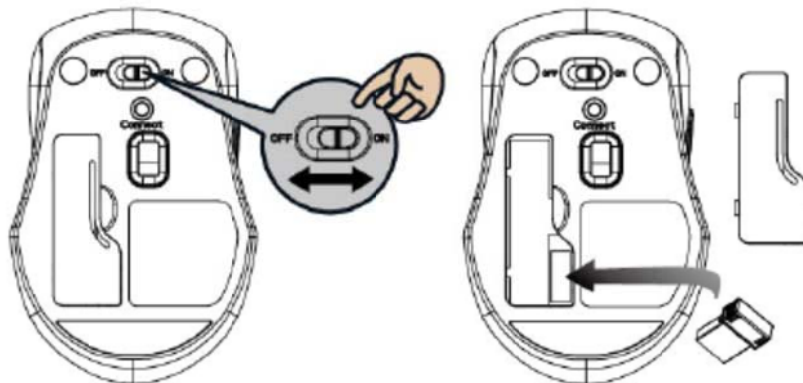
Step 3: Replace the battery cover.



Step 4: Turn on the POWER SWITCH.

Step 5: Insert the NANO RECEIVER into your computer.

Step 6: Your mouse will connect automatically, letting you use your mouse wirelessly.



Notice: If you need to travel with the mouse, you can put NANO RECEIVER into the recess under the battery cover.


How to... pair your wireless mouse and computer

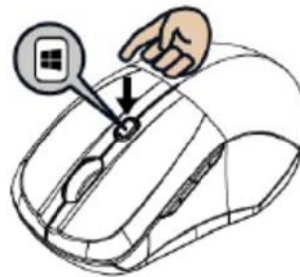
If your hot keys wireless mouse has not been connected to your computer after completing the previous steps, the following information will help you to complete the connection.

1. Turn off and turn on the POWER SWITCH on your mouse.
2. Make sure the computer is switch on.
3. Press the CONNECT BUTTON on the underside of the mouse.
4. The SWITCH KEY will flash 10 seconds to indicate the mouse is pairing with the nano receiver on the computer.
5. Your mouse will connect automatically.

How to... recognize the operating system

Step 1: Make sure your hot keys wireless mouse is properly connected to your computer

Step 2: Click the SWITCH KEY , follow the indication of below LED lighting on the switch key.



| SWITCH KEY | CHANGE TO WHICH SYSTEM |
|---------------|------------------------|
| LED on 10 sec | Windows 8 |
| LED off | Other OS |

Step 3: If you need to travel with your wireless mouse, made sure you turn off the POWER SWITCH. Your mouse will remember the last operating system until the next time you reconnect the nano receiver to the computer.

How to... use the hot keys

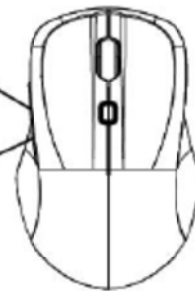
Your wireless mouse has special 4th HOT KEY and 5th HOT KEY designed for windows systems. For instructions on understanding the functions see below.

4th HOT KEY


| SYSTEM | FUNCTION |
|------------------------|-------------|
| Windows 8 | APPs Menu |
| Windows7/Vista/XP/2000 | Forward |
| Mac OS x 10.5 or later | Not Support |

5th HOT KEY

| SYSTEM | FUNCTION |
|------------------------|-------------|
| Windows 8 | Charms Menu |
| Windows7/Vista/XP/2000 | Backward |
| Mac OS x 10.5 or later | Not Support |



Notice:

The 4th and 5th HOT KEY will be no function when the operating system of mouse and computer are not corresponding. You can click the SWITCH KEY , change the system of mouse to correspond to your computer system.

Battery Warning Statement...

1. Please insert the batteries with the correct position according to the instruction labeled in the mouse.
2. The batteries shall not be exposed to excessive heat such as sunshine, fire or the like.
3. Do not mix old and new batteries.
4. Do not mix alkaline, standard (carbon-zinc), or rechargeable (NiCd, NiMH, etc) batteries.

Federal Communication Commission Interference Statement

This equipment has been tested and found to comply with the limits for a Class B digital device, pursuant to Part 15 of the FCC Rules. These limits are designed to provide reasonable protection against harmful interference in a residential installation. This equipment generates, uses and can radiate radio frequency energy and, if not installed and used in accordance with the instructions, may cause harmful interference to radio communications. However, there is no guarantee that interference will not occur in a particular installation. If this equipment does cause harmful interference to radio or television reception, which can be determined by turning the equipment off and on, the user is encouraged to try to correct the interference by one of the following measures:

- Reorient or relocate the receiving antenna.
- Increase the separation between the equipment and receiver.
- Connect the equipment into an outlet on a circuit different from that to which the receiver is connected.
- Consult the dealer or an experienced radio/TV technician for help.

This device complies with Part 15 of the FCC Rules. Operation is subject to the following two conditions: (1) This device may not cause harmful interference, and (2) this device must accept any interference received, including interference that may cause undesired operation.

FCC Caution: Any changes or modifications not expressly approved by the party responsible for compliance could void the user's authority to operate this equipment.

Wal-Mart Stores, Inc.
Bentonville, AR 72716

