

## Federal Communication Commission Interference Statement

This equipment has been tested and found to comply with the limits for a Class B digital device, pursuant to Part 15 of the FCC Rules. These limits are designed to provide reasonable protection against harmful interference in a residential installation. This equipment generates, uses and can radiate radio frequency energy and, if not installed and used in accordance with the instructions, may cause harmful interference to radio communications. However, there is no guarantee that interference will not occur in a particular installation. If this equipment does cause harmful interference to radio or television reception, which can be determined by turning the equipment off and on, the user is encouraged to try to correct the interference by one of the following measures:

- Reorient or relocate the receiving antenna.
- Increase the separation between the equipment and receiver.
- Connect the equipment into an outlet on a circuit different from that to which the receiver is connected.
- Consult the dealer or an experienced radio/TV technician for help.

This device complies with Part 15 of the FCC Rules. Operation is subject to the following two conditions: (1) This device may not cause harmful interference, and (2) this device must accept any interference received, including interference that may cause undesired operation.

### Radiation Exposure Statement:

The product comply with the FCC portable RF exposure limit set forth for an uncontrolled environment and are safe for intended operation as described in this manual. The further RF exposure reduction can be achieved if the product can be kept as far as possible from the user body or set the device to lower output power if such function is available.

**FCC Caution:** Any changes or modifications not expressly approved by the party responsible for compliance could void the user's authority to operate this equipment.

### BATTERY WARNING STATEMENT

Do not mix old and new batteries.  
Do not mix alkaline, standard (carbon-zinc), or rechargeable (ni-cad, ni-mh, etc) batteries.

Wal-Mart Stores, Inc.,  
Bentonville, AR 72716  
Hotline: 1-800-925-6278

Ver.01 Rev.06/03/15



## Wireless Mouse

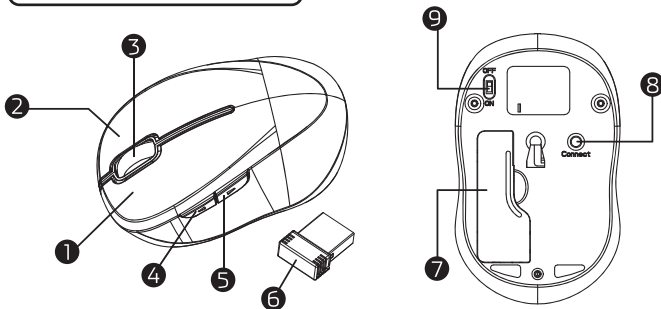
Model: ONC18H0001

## PRODUCT GUIDE

CAUTION: To use this product properly, please read the user's guide before installation

Ver.01 Rev.06/03/15

### Functional Introduction



- |                    |                  |                   |
|--------------------|------------------|-------------------|
| 1. Left button     | 4. Forward       | 7. Battery cover  |
| 2. Right button    | 5. Backward      | 8. Connect button |
| 3. Scrolling wheel | 6. Nano receiver | 9. OFF/ON switch  |

#### Forward

Press this button to view the next page in your Internet browser.

#### Backward

Press this button to view the previous page in your Internet browser.

### Installing the batteries

**Step 1:** Take the battery cover off.

**Step 2:** Insert the batteries as shown inside the battery compartment.

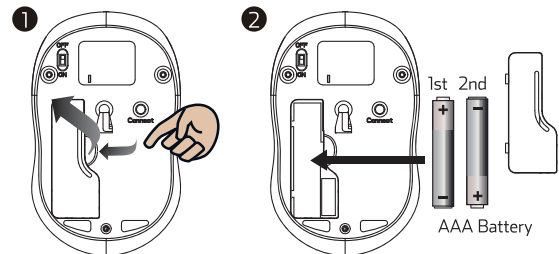
**Step 3:** Replace the cover.

**\*\*Warning:**

\*Please insert the battery with the correct position according to the instruction labeled on the mouse.

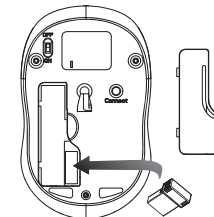
1

Ver.01 Rev.06/03/15



### Setup the Connection between the Receiver and the Mouse

1. Insert the batteries into the mouse, then follow the steps below.
2. In the meantime, to open the mouse under the cover, take the nano receiver out.



3. Plug the Nano receiver into the USB port on your computer.



4. If the mouse does not work, please put it into pairing mode.
5. Pairing: Re-plug the receiver into the USB port on your computer, then press the connect button on the mouse. If the mouse does not work after 10 seconds, pair them again. (The receiver has auto pairing function).

2

Ver.01 Rev.06/03/15