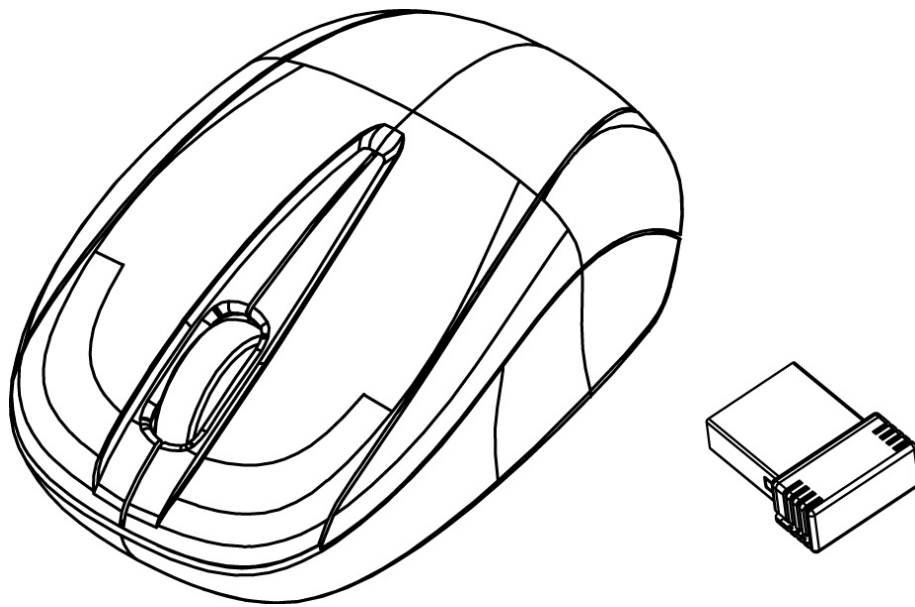


2.4GHz Wireless Optical Mouse w/Nano Receiver

USER'S GUIDE

Ver.:1.00

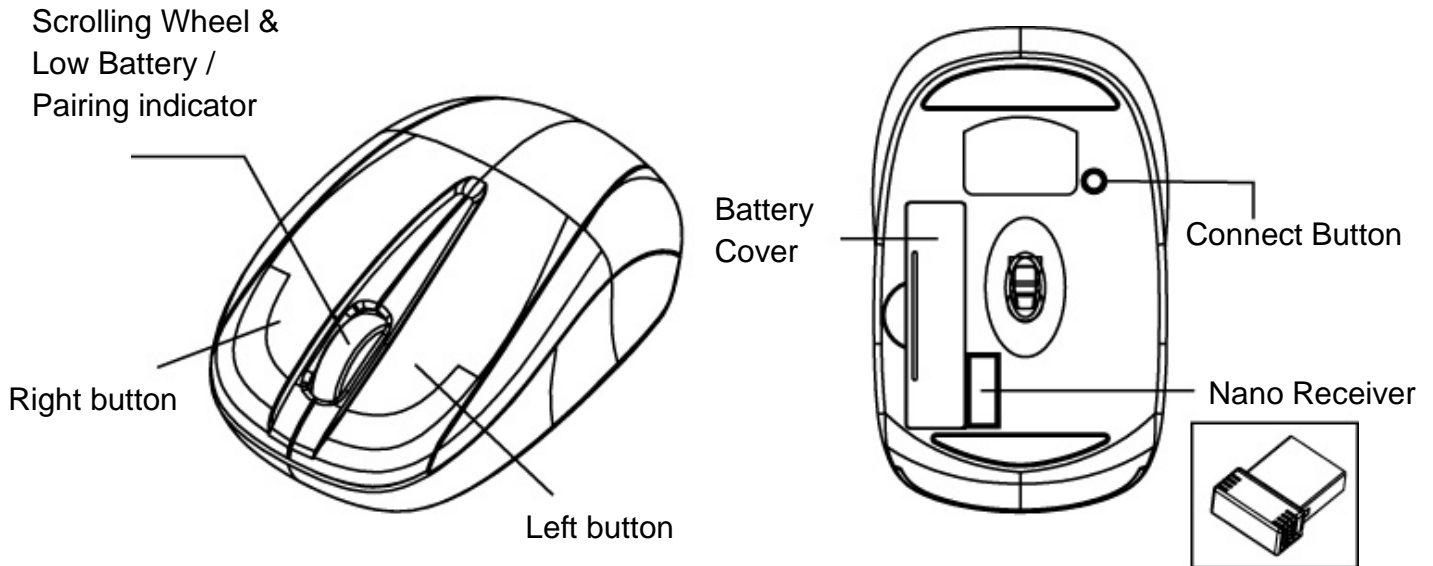


Federal Communication Commission Interference Statement

FCC Caution: Any changes or modifications not expressly approved by the party responsible for compliance could void the user's authority to operate this equipment.

This device complies with Part 15 of the FCC Rules. Operation is subject to the following two conditions: (1) This device may not cause harmful interference, and (2) this device must accept any interference received, including interference that may cause undesired operation.

Functional Introduction

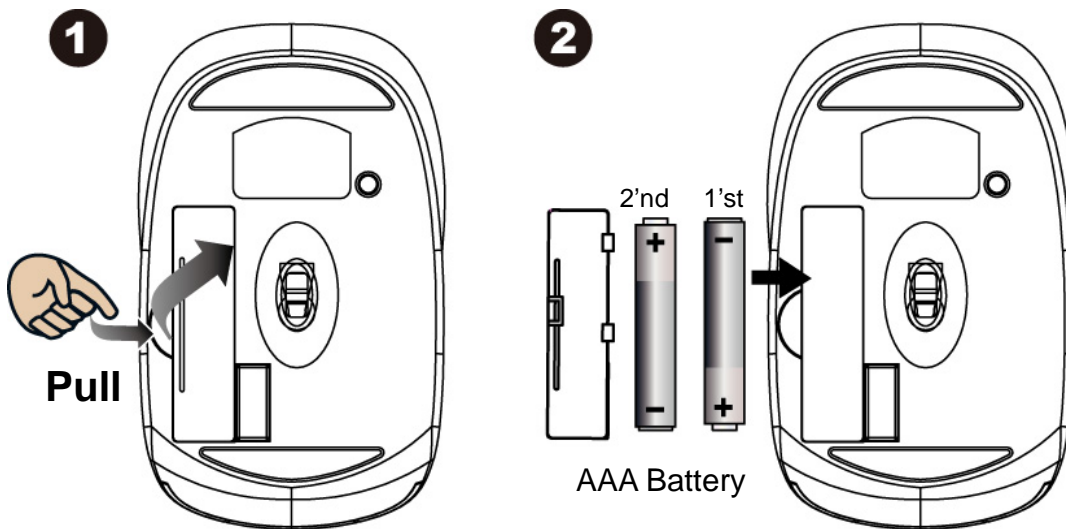


Installing the batteries

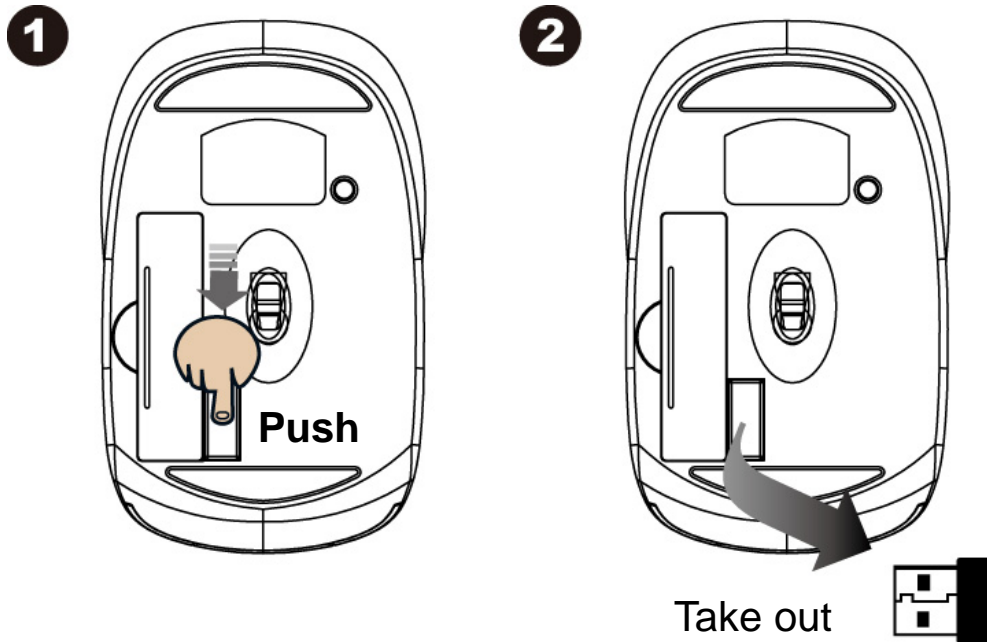
Step 1: Take the battery cover off.

Step 2: Insert the batteries as shown inside the battery compartment.

Step 3: Replace the cover.

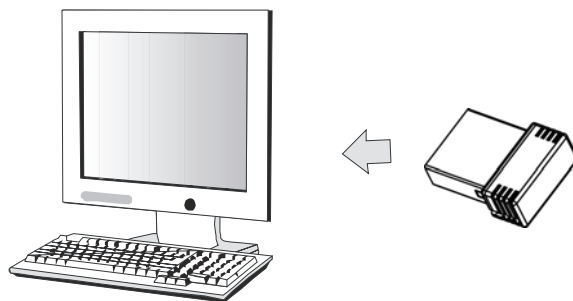


Nano Receiver



Setup the Connection between the Receiver and the Mouse

1. Plug the Nano receiver into the USB port of your computer.

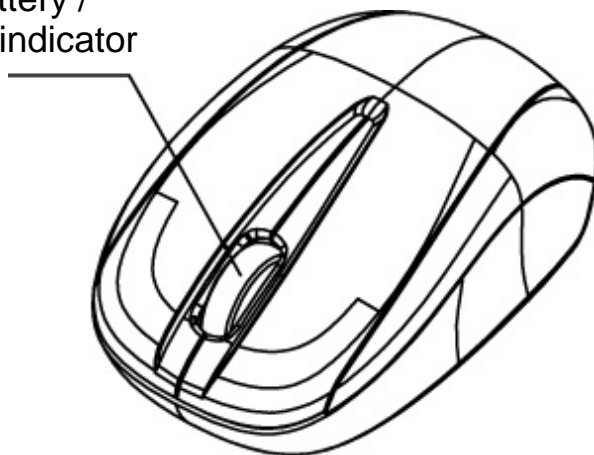






2. Insert the batteries into the mouse, then follow the steps below.
3. If the mouse is not working, please put it into pairing mode.
4. Pairing: Re-plug the Nano receiver into the USB port of your computer. If the mouse does not work after 10 seconds, then press the connect buttons on the mouse again. (Nano receiver has auto pairing function).

- 5. The LED indicator on mouse flashes steadily when it is in pairing mode and stops blinking when it is successfully paired with the receiver. The mouse remains off afterwards.
- 6. When the battery is low, the Low Power indicator blinking.

During pairing

Scrolling Wheel &
Low Battery /
Pairing indicator



-  **Green LED Blinking 10 Sec.**
Connected NG
-  **Green LED Off**
Connected OK
-  **Red LED Blinking**
Low Battery
-  **Red LED on 10 Sec.**
Power On