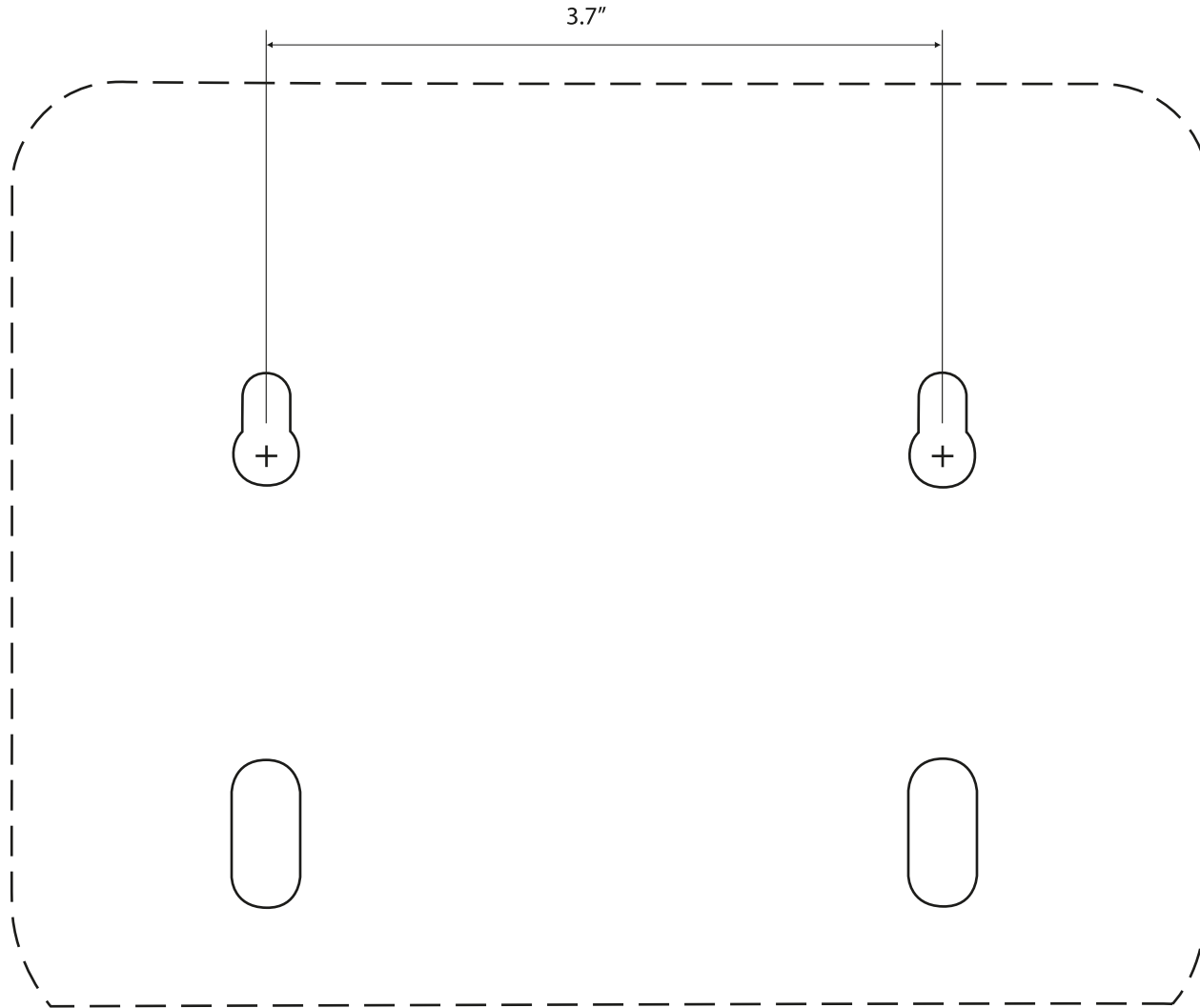


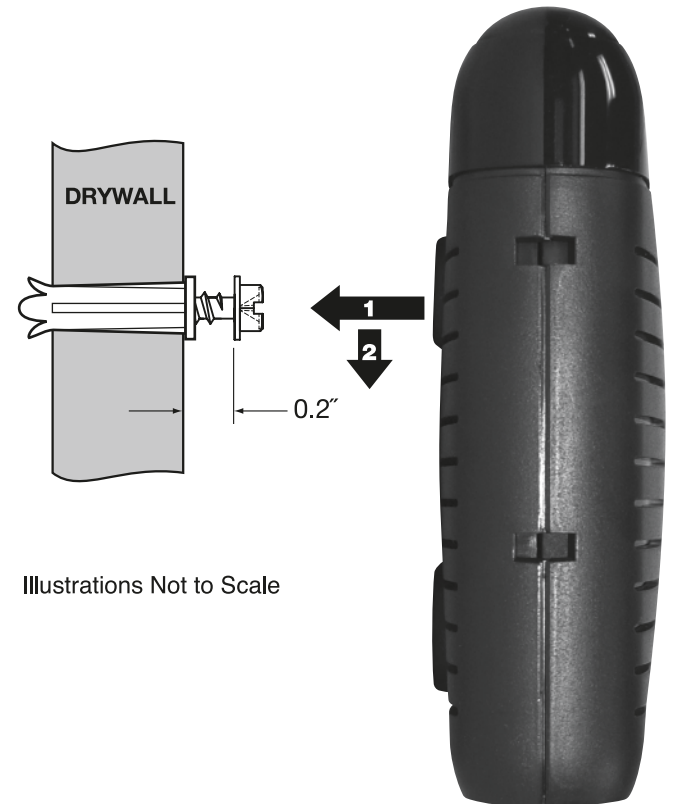
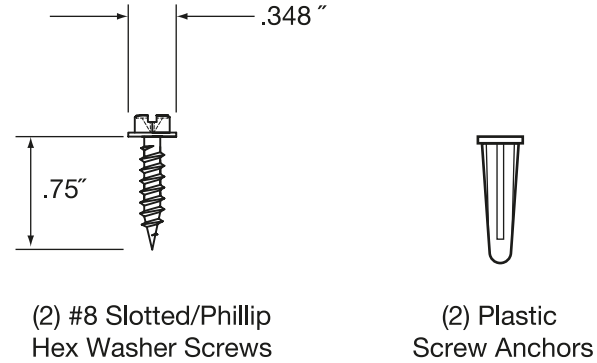
**Verizon GT784WNV Modem Wall Mounting Template**

Scale: Actual Scale



1. Place the template on the wall in the position the Modem will be mounted. (It is recommended to mount the Modem with the cable connections on the bottom).
2. Mark the mounting holes. If mounting on wood, drill holes for the screws. If mounting on drywall, drill holes to accept drywall anchors. A 3/16" drill bit is recommended for plastic anchors.
3. Leave screws extended about 0.2 inches from the wall.
4. Remove all 4 rubber feet from the bottom of the Modem.
5. Locate the Modem keyhole openings over the screw heads and push down lightly on the Modem to lock the unit onto the screws.

**Fasteners**



Illustrations Not to Scale