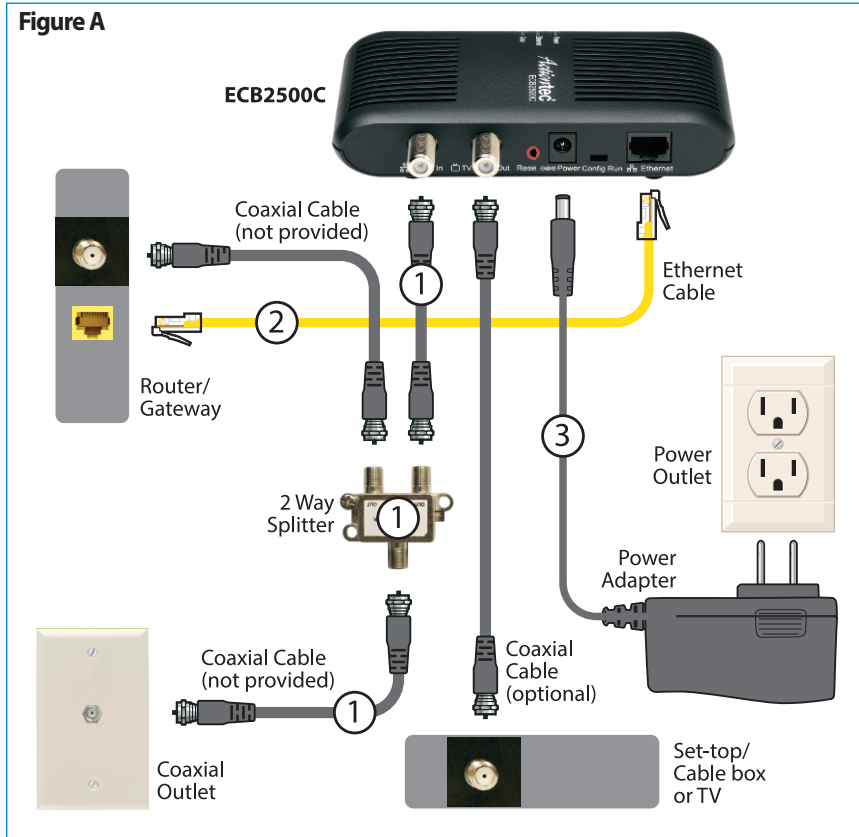


Installing the Kit

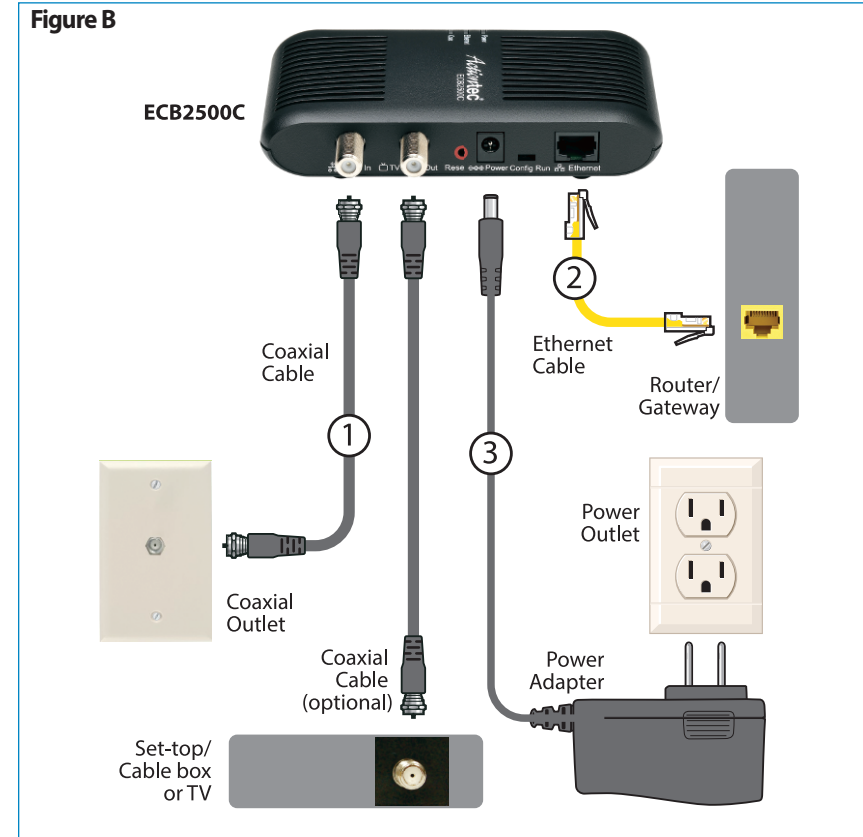
READ FIRST! Find the Coaxial Outlet near your Router/Gateway. If there is already a coaxial cable plugged into the outlet, connect the ECB2500C MoCA Network Adapter as displayed in Figure A. If there is NOT, follow the diagram in Figure B.

Step 1 Connect the Coaxial Cable(s) to the Coaxial Outlet as shown in either Figure A or B. Make sure you are using the appropriate diagram for your home. See the Read First instructions above.



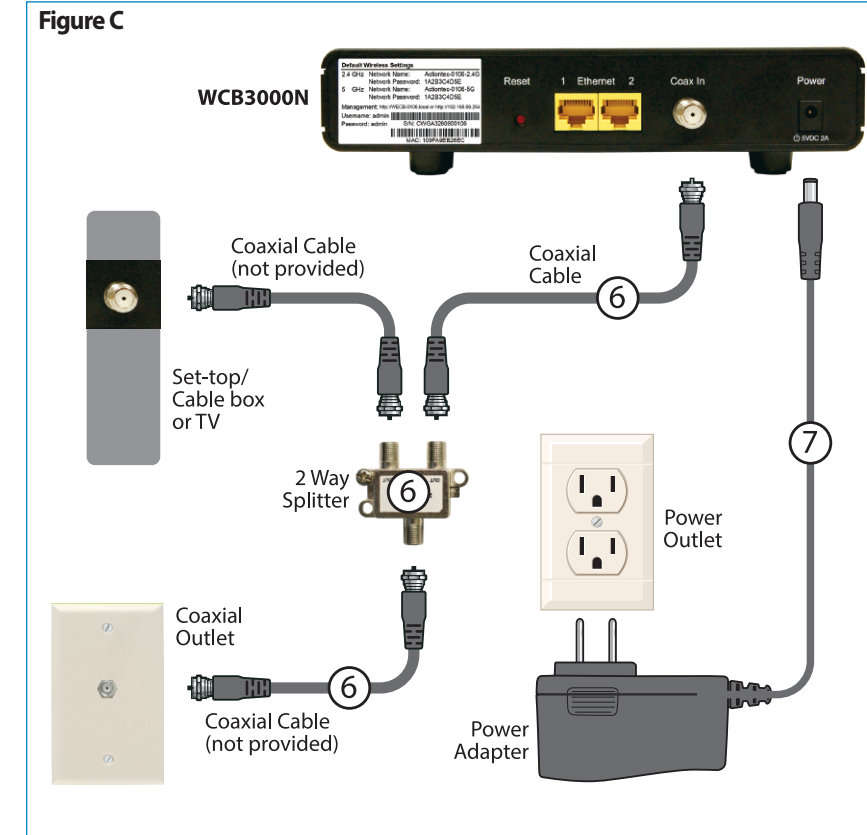
Step 2 Plug one end of the Yellow Ethernet Cable into an Ethernet Port on your Router/Gateway. Plug the other end into the Ethernet Port on the back of the ECB2500C.

Step 3 Plug one end of the Power Adapter into the Power Port on the back of the ECB2500C and plug the other end into an Electrical Wall Outlet.



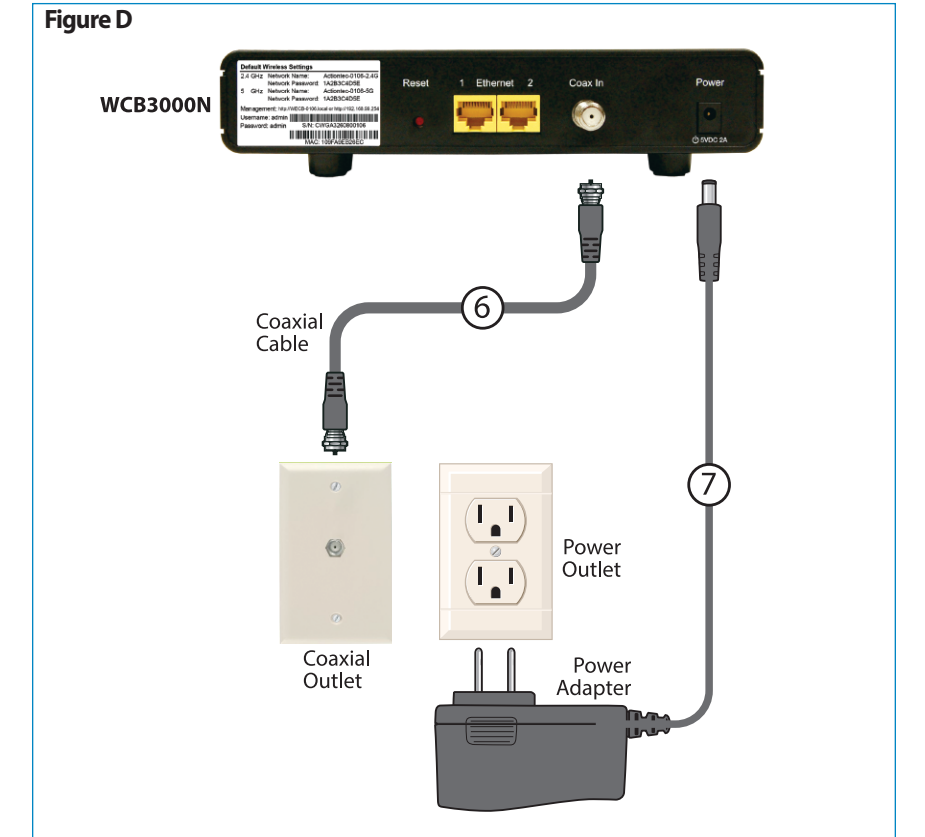
Step 4 Place the WCB3000N Wireless Network Extender in an area where your Wi-Fi signal is spotty (where Internet signal does not reach or drops). You will need a Coaxial Outlet nearby.

Step 5 Find the Coaxial Outlet near the Wireless Network Extender. If there is already a coaxial cable plugged into the outlet, connect the WCB3000N as displayed in Figure C. If there is NOT, follow the diagram in Figure D.



Step 6 Connect the Coaxial Cable to the Coaxial Outlet as shown in either Figure C or D. Make sure you are using the appropriate diagram for your home as described in Step 5.

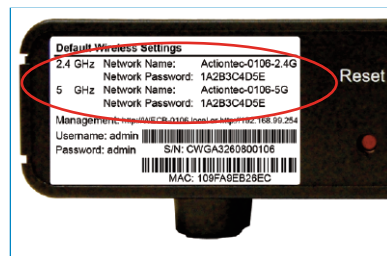
Step 7 Plug one end of the Power Adapter into the Power Port on the back of the WCB3000N and plug the other end into an Electrical Wall Outlet.



Step 8 Wait until the **Coax and Wireless Lights** on the front of the Extender are **GREEN**. This may take a couple of minutes.



Step 9 Connect your wireless devices to the Wireless Network Extender, using the default wireless settings printed on the back label.



Congratulations!

You have successfully extended your home Wi-Fi network using the Wireless Network Adapter.

Go to wifi.actiontec.com for other helpful tips on how to improve your Wi-Fi.

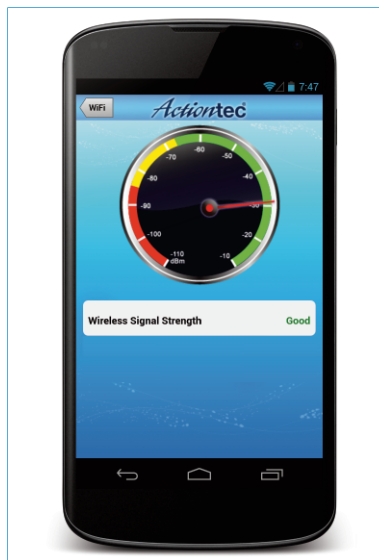
Q Can I change the wireless network name and password on the Wireless Network Extender to match my existing wireless network's settings?

A Absolutely! It is recommended that you do this so you don't have to remember two separate network names and passwords.

Please visit our website below for detailed instructions.

<http://www.actiontec.com/support/wcb3000n>

Tip: Scan the QR code below to download the Actiontec WiFi Assistant app from Apple App Store or Google Play to check the signal strength in various rooms within your house.



Technical Support

Having problems? We're here to help. Please contact our technical support and do not return the product to store.

www.actiontec.com/support
(888) 436-0657

Actiontec[®]

Dual-Band Wireless Network Extender
+ Ethernet over Coax (MoCA) Kit

Quick Start Guide

Model#s WCB3000N & ECB2500C

This Quick Start Guide will walk you through the easy steps to use your existing coaxial wiring to extend your Wi-Fi signal. Your Kit includes the following items:

- One WCB3000N Wireless Ethernet Coax Bridge
- One Power Adapter (External, 5V DC, 2A made by Actiontec, Model #WA-10P05FU)
- One ECB2500C MoCA Network Adapter
- One Power Adapter (External, 5V DC, 2A made by Actiontec, Model #MU12-G050200-A1)
- Two Ethernet Cables
- Two Coaxial Cables
- Two Coaxial Splitters
- One Base Stand