



Low Profile RX Programmable Fireplace Remote Control

Installation and Operation Instructions:

The Acumen Low Profile RX Programmable Remote Control is designed for use with gas fireplace and stoves using a millivolt valve.

The Low Profile RX Transmitter is an seven-button Wall Mount transmitter, which is used as a programmable thermostat to turn the gas on and off. The display of the transmitter shows the clock, current room temperature and the low battery indicator.

Installation Precautions:

The Low Profile RX Programmable Remote Control is tested safe when installed in accordance with this installation manual. It is your responsibility to read all instruction before starting installation and to follow these instructions carefully during installation.

The Low Profile RX Programmable Remote Control **MUST** be installed by a qualified service technician.

The Low Profile RX Programmable Remote Control is carefully engineered and **MUST** be installed only as specified. If you modify it or any of its components, you may possibly cause a fire hazard.

FCC Requirements

Warning: Changes or modifications to this unit not expressly approved by the party responsible for compliance could void the user authority to operate the equipment. This equipment has been tested and found to comply with the limits for a Class B digital device, pursuant to Part 15 to the FCC Rules. These limits are designed to provide reasonable protection against harmful interference in a residential installation. This equipment generates, uses, and can radiate radio frequency energy and, if not installed and used in accordance with the instructions, may cause harmful interference to radio communications. However, there is no guarantee that interference will not occur in a particular installation. If this equipment does cause harmful interference to radio or television reception, which can be determined by turning the equipment off and on, the user is encouraged to try to correct the interference by one or more of the following measures:

- Reorient or relocate the receiver antenna.
- Increase the separation between the equipment and receiver.
- Connect the equipment into an outlet on a circuit different from that to which the receiver is connected.
- Consult the dealer or an experienced radio TV technician for help.

Canadian Equipment Requirements

This digital apparatus does not exceed the (class A/Class B)* limits for radio noise emissions from digital apparatus set out in the Radio Interference Regulations of the Canadian Department of Communications. Le present appareil numerique n'met pas de bruits radioelectriques dépassant les limites applicables aux appareils numeriques (de la class A/de la class B)* prescrites dans le Reglement sur le brouillage radioelectrique edicte par le ministere des Communications du Canada.

This device complies with RSS-210 of Industry and Science Canada. Operation is subject to the following

two conditions : (1) this device may not cause interference, and (2) this device must accept any interference, including interference that may cause undesired operation of the device.

All wiring should be done by a qualified electrician and shall be in compliance with local codes and with the National Electric Code ANSI/NFPA No. 70-current (In the United States), or with the current CSA C22.1 Canadian Electric Code (in Canada).

1.0 INSTALLATION INSTRUCTIONS

1.1 Installing the Receiver

- 1 Make sure the slide switch on the Remote Receiver is at the OFF position.
- 2 Connect the wires labeled "Main Valve" to the TH and THTP terminals of the Millivolt valve. see Figure 1.
- 3 Plug the step motor cable to the receiver. See Figure 2.

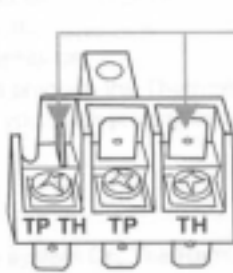


Figure 1

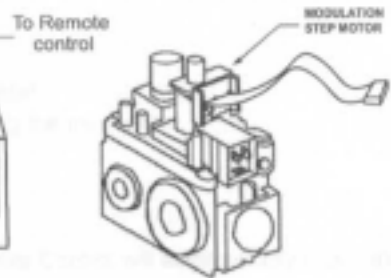


Figure 2

- 4 **Installing the Remote Receiver to a Wall Mount:**
 - Secure the Remote Receiver to the Wall Mount. See Figure 3.
 - Use the screws provided to secure the face plate to the Remote Receiver.

Installation of the Receiver to a Junction Box

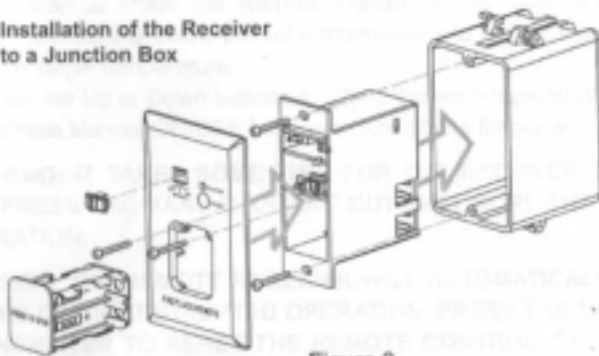


Figure 3

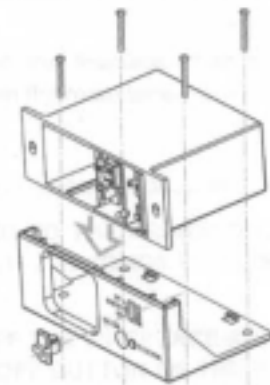


Figure 4

- 5 **Installing the Remote Receiver to a Fireplace:**
 - Secure the Fireplace Mounting plate to the base pan of the fireplace.
 - Slide the Remote Receiver into the fireplace mounting plate. See Figure 4.
- 6 Put the switch cap to the slide switch.
- 7 Slide the battery compartment into the Remote Receiver. See Figure 5.
- 8 In order to prevent the Remote Receiver (fireplace installation only) from overheating, put a heat shield (option item) above the Remote Receiver. See Figure 6.

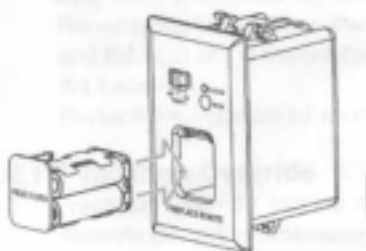


Figure 5

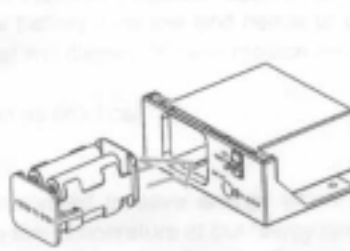


Figure 6

2.0 OPERATION INSTRUCTIONS

2.1 Transmitter Operation

The Low Profile RX Remote Control has 2 operating modes. They are: System ON and Manual on/off.

2.1.1 Program the Thermostat

- 1 Press the Prog INT button and then use the Up or Down buttons to choose NO and press the Enter button to skip adjusting clock.
- 2 Choose NO again (if necessary) to skip Vacation Override.
- 3 Then Choose YES for programming the thermostat.
- 4 Follow through the instruction at the LCD to program the Thermostat.
- 5 The System will automatically turn ON after you finish programming the thermostat.

2.1.2 Operation Modes

A. System On:

- 1 Press the PROG ON/OFF button to turn the system On. The Remote Control will automatically adjust the temperature when you are at home, away or sleep according to the program.
- 2 You may also use the Up or Down buttons to change the set temperature if desired.
- 3 Press the PROG ON/OFF button again to turn off the program.

B. Manual Mode:

- 1 Manual Mode can only be activated when the System is off.
- 2 Press the Manual ON/OFF button once to activate the Manual mode.
- 3 In Manual Mode the Remote Transmitter will automatically turn on the fireplace when the room temperature is below the set temperature and turn off the fireplace when the room temperature is above the target temperature.
- 4 Use the Up or Down buttons to adjust the set temperature.
- 5 Press Manual ON/OFF buttons to turn off the fireplace (if it is already on) and exit Manual Mode.

WARNING: IT TAKES SOME TIME FOR THE RECEIVER TO RESPOND TO THE TRANSMITTER. DO NOT PRESS THE MANUAL ON/OFF BUTTONS MORE THAN ONCE WITH 2 SECONDS FOR CORRECT OPERATION.

CAUTION: THE REMOTE RECEIVER WILL AUTOMATICALLY TURN OFF THE FIREPLACE AFTER SIX HOURS OF UNINTERRUPTED OPERATION. PRESS THE MANUAL ON/OFF BUTTON ON THE REMOTE TRANSMITTER TO RESET THE REMOTE CONTROL, THEN PRESS THE MANUAL ON/OFF BUTTON AGAIN TO RESUME OPERATION.

2.1.3 Transmitter Location Function

Acumen's Remote Control's location function can help user to find the Remote Transmitter easily. Turn on the Transmitter Location function by pressing the "Tx Locator" button on the Remote Receiver, and then transmitter will beep continuously (Two short and one long beep). Press any button on the Remote Transmitter to turn it off.

2.1.4 Receiver Low Battery Warning

Low Battery Indicator on the Remote Receiver automatically measures low battery power from the Remote Receiver. When the battery runs low and needs to be replaced, the indicator will blink in red and the LCD of the transmitter will display "Please replace receiver batteries" by pressing any button on the transmitter.

Replace the batteries as soon as practical.

2.1.5 Vacation Override

- 1 Vacation Override can be activated to save energy when you are away. In Vacation Override the Remote Control will maintain the temperature at the "away temperature".
- 2 You can only activate the Vacation Override when the System is On.
- 3 Press the PROG INT button.

- 4 Use the Up and Down buttons to choose NO and then press the Enter button to skip adjusting clock.
- 5 Then Choose YES for Vacation Override.
- 6 Use the Up and Down buttons to set the number of days you are away. Then press the Enter button.
- 7 You can cancel the Vacation Override at anytime. Press the PROG INT button, then use the Up or down buttons to choose YES and press the Enter button to cancel the Vacation Override.

2.1.6 Child-Proof Function :

- 1 A CHILD-PROOF switch is on the back of the Remote Transmitter.
- 2 Slide the CHILD-PROOF switch to position marked C/P to activate the CHILD-PROOF function "C/P" will appear on the LCD. See figure 8.
- 3 In CHILD-PROOF the Remote Transmitter will continue to operate the fireplace, but the buttons will not be operable until C/P is removed.
- 4 Press the Up and Down buttons in the following sequence, Up-Down-Down-Up-Down, within 2 seconds button function will be temporarily restored, "C/P" will disappear from the LCD.
- 5 If no button is pressed within 2 minutes, the Remote Transmitter will return to Child-Proof function and "C/P" will reappear on the LCD.
- 6 To permanently remove C/P, slide the switch back to the other position.

2.1.7 Adjust Clock:

- 1 Press the PROG INT button, use the Up or Down buttons to choose YES then press the Enter button to adjust the clock.
- 2 Follow the instruction displayed on the LCD to adjust the clock.

2.1.8 Power Saving Mode:

- 1 There is a power saving mode in the Remote Transmitter. When "you are away or asleep" the Remote Transmitter will enter power saving mode.
- 2 In the power saving mode the Remote Transmitter will turn off the LCD. However all other functions in the Remote Transmitter will work normally.
- 3 When you press any button on the Remote Transmitter the LCD come back on.
- 4 The Remote Transmitter will go back to power saving mode afterward.
- 5 The Remote Transmitter will exit power saving mode when "you are awake or come back".

2.1.9 Flame Adjustment Mode

- 1 Press Manual or PROG ON/OFF buttons to start.
- 2 Press the Flame button and use the Up and Down arrow to adjust the flame height to 1, 2, 3 and 4.

2.2.0 EON Charger

EON Charger can charge 3 rechargeable NI-MH AAA batteries at a time. Charger can automatically measure charging status of batteries. The power of the charger will turn off when the fully charged. The batteries can store in the charger for a long period without any discharge.

Notes and Warnings:

- 1 The charger uses 120V AC as input voltage.
- 2 EON Charger can be used for rechargeable Ni-MH batteries only. Batteries will be damaged if they are other type batteries.
- 3 Never try to charge the non-rechargeable batteries, as it will cause explosion.
- 4 Do not mix new and old batteries. Non-proper operation will cause explosion, electric shock or damage of the batteries and charger.
- 5 For 3XAAA batteries charging, make sure install the rechargeable batteries into the transmitter first before put them into the charger.
- 6 LED of the charger turn on in red during charging; LED turn to dark when the charging transform into a tiny stream; LED turn off when full charged.
- 7 Disconnect the plug of the charger from the outlet after charging and do not pull the wire of the plug directly.

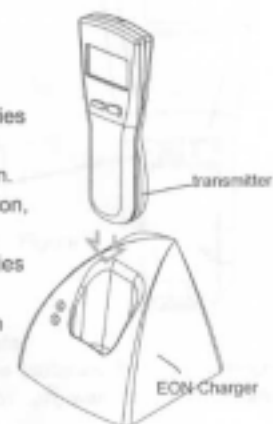


Figure 7

2.2 Receiver Operation

The Remote Receiver has 3 operation modes. They are On , Remote and Transmitter Location Function modes.

2.2.1 On Mode

- 1 In the On mode the Receiver will turn on the fireplace.
- 2 The Receiver will not respond to the Transmitter and turn the fireplace on and off.
- 3 In the On mode the receiver will not respond to the Remote Transmitter.

2.2.2 Remote Mode

The Receiver will respond to the Transmitter and turn the fireplace on and off accordingly.

2.3 Changing Batteries

- 1 The Remote Receiver uses 4 pieces AA-size batteries. Slide the slide switch at the Remote receiver to the Off position.
- 2 Press the battery compartment slightly into the Remote Receiver and then release. The battery compartment will pop out of the Remote Receiver.
- 3 Slide open the battery door and replace batteries.
- 4 Replace the battery door and slide the battery compartment back into the Remote Receiver.
- 5 The Remote Transmitter uses fresh AAA Ni-MH charge batteries. Replace these batteries at least every 6 months or when the Low battery indicator on the LCD is on, or the batteries can store in the charger for a long period without any discharge.
- 6 Slide open the battery door and replace batteries.
- 7 Replace the batteries and slide the battery compartment back into the Remote Transmitter.
- 8 After you take out the batteries, wait for at least 1 minute before putting fresh batteries into the Remote Transmitter and Receiver.
- 9 Receiver use fresh alkaline batteries only.

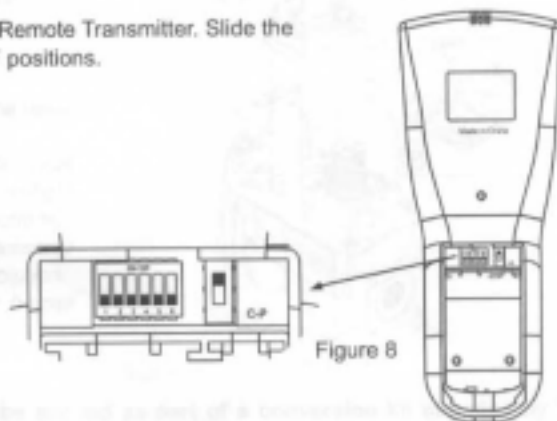
WARNING: THE REMOTE TRANSMITTER WILL AUTOMATICALLY SWITCH OFF THE FIREPLACE WHEN THE BATTERIES IN THE REMOTE TRANSMITTER ARE LOW.

3.0 IMPORTANT SAFETY FEATURE

You can set a private code into your system to prevent accidental operation by another transmitter nearby. See Figure 8.

3.1 Coding Instructions:

- 1 There are code switches at the back of the Remote Transmitter. Slide the code switches to your choice of ON or OFF positions. **FACTORY SETTING IS ALL "OFF".**
- 2 Take the Remote Transmitter close to the fireplace or the Remote Receiver (less than 2-10 feet from the fireplace or Remote Receiver is recommended.)
- 3 Slide the slide switch on the Remote Receiver to Remote position.
- 4 Install AAA Ni-MH batteries into the Remote Transmitter and choose YES to set code.
- 5 Press the Enter button on the Remote Transmitter. The Remote Receiver will produce a 'beep' sound when it receives the code from the Remote Transmitter. The system is now ready to operate.
- 6 If you do not hear a 'beep' sound from the Remote Receiver, remove batteries from the Remote Transmitter and slide the slide switch on the remote receiver to OFF position, wait for 1 minute, and repeat step 2 to 5.



- 7 If you desire to operate multiple Remote Receivers with the one Remote Transmitter, continue to hold the Enter button on the Remote Transmitter as you bring the Remote Transmitter within 2-10 feet of each Remote Receiver. Slide the slide switch on the Remote Receivers to Remote position. Each will acknowledge receipt of coding with a beep.

Caution: When installing more than one remote control within 30 feet, you must use a separate coding for each remote control.

- 1 Follow the set-up procedure for remote control number one as described.
- 2 Turn receiver number one to OFF position.
- 3 Before installing batteries into remote transmitter number two, change the DIP switch pattern. Follow the set-up procedure for remote control number two.
- 4 Return all receivers to remote position to ensure proper operation.

4.0 INSTALLATION INSTRUCTIONS

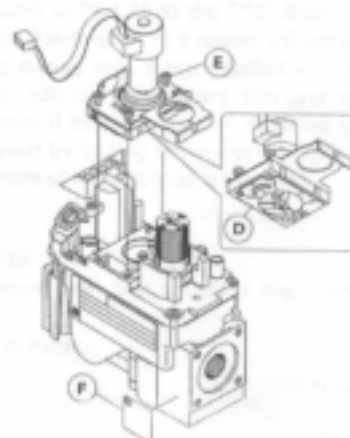
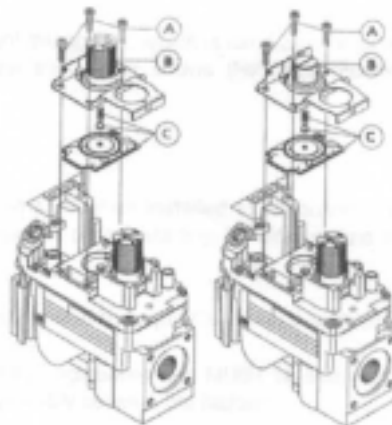
**820 NOVA mV
 Modulating Conversion Kit**

WARNING!

The installation of this conversion kit must only be undertaken by a qualified and certified gas appliance installer .

**STEP MOTOR PRESSURE REGULATOR
 CONVERSION KIT INSTALLATION OR
 REPLACEMENT INSTRUCTIONS.**

- 1 Turn control knob to the OFF position, and shut off the gas supply to the valve.
- 2 Using a Torx T20, or slotted screwdriver, remove and discard the three pressure regulator mounting screws (A), pressure regulator tower (B), and the spring and diaphragm assembly (C).
 (If applicable).
- 3 Insure that the rubber gasket (D) is properly positioned and install the new modulating pressure regulator assembly to the valve using the new screws (E) supplied with the kit. Tighten screws securely.
 (Reference torque = 25 In.Lb.)
- 4 Install the enclosed identification label (F) to the valve body where it can be easily seen.
- 5 Make STEP MOTOR and mV valve electrical connections, apply gas to system and re-light appliance according to manufacturers instructions.
- 6 With the main burner "ON", test the new pressure regulator assembly for leaks using a soap solution.
- 7 Relight the main burner and verify proper burner ignition and operation.



WARNING!

This modulating conversion kit must ONLY be applied as part of a conversion kit supplied by the APPLIANCE MANUFACTURER for the specific appliance, and type of gas, being converted.

INSTALLER NOTICE. These instructions must be left with appliance.

This device complies with Part 15 of the FCC Rules. Operation is subject to the following two conditions: (1) This device may not cause harmful interference, and (2) This device must accept any interference received, including interference that may cause undesired operation.

NOTE: THE MANUFACTURER IS NOT RESPONSIBLE FOR ANY RADIO OR TV INTERFERENCE CAUSED BY UNAUTHORIZED MODIFICATIONS TO THIS EQUIPMENT. SUCH MODIFICATIONS COULD VOID THE USER'S AUTHORITY TO OPERATE THE EQUIPMENT.