



Acumen Wall Mount WMT103 Fireplace Remote Control

Installation and Operation Instructions:

The Acumen Wall Mount WMT103 Remote Control is designed for use with decorative gas fireplace and wall heaters using SIT 825 Nova gas valve.

The Wall Mount WMT103 Transmitter is a six-button transmitter, which turn the gas on/off or as a thermostat. The display of the transmitter shows the clock, current room temperature, target temperature, timer setting, on/off status and low battery indicator.

Installation Precautions:

The Wall Mount WMT103 Remote Control is tested safe when installed in accordance with this installation manual. It is your responsibility to read all instruction before starting installation and to follow these instructions carefully during installation.

The Wall Mount WMT 103 Remote Control **MUST** be installed by a qualified service technician.

The Wall Mount WMT 103 Remote Control is carefully engineered and **MUST** be installed only as specified. If you modify it or any of its components, you may possibly cause a fire hazard.

FCC Requirements

WARNING: Changes or modifications to this unit not expressly approved by the party responsible for compliance could void the user's authority to operate the equipment.

NOTE: This equipment has been tested and found to comply with the limits for a Class B digital device, pursuant to Part 15 to the FCC Rules. These limits are designed to provide reasonable protection against harmful interference in a residential installation. This equipment generates, uses, and can radiate radio frequency energy and, if not installed and used in accordance with the instructions, may cause harmful interference to radio communications.

However, there is no guarantee that interference will not occur in a particular installation. If this equipment does cause harmful interference to radio or television reception, which can be determined by turning the equipment off and on, the user is encouraged to try to correct the interference by one or more of the following measures:

- Reorient or relocate the receiver antenna.
- Increase the separation between the equipment and receiver.
- Connect the equipment into an outlet on a circuit different from that to which the receiver is connected.
- Consult the dealer or an experienced radio TV technician for help.

Canadian Equipment Requirements

This digital apparatus does not exceed the (class A/Class B)* limits for radio noise emissions from digital apparatus set out in the Radio Interference Regulations of the Canadian Department of Communications. Le présent appareil numérique n'émet pas de bruits radioélectriques dépassant les limites applicables aux appareils numériques (de la class A/de la class B)* prescrites dans le Règlement sur le brouillage radioélectrique édicté par le ministère des Communications du Canada.

This device complies with RSS-210 of Industry Canada. Operation is subject to the following two conditions : (1) this device may not cause interference, and (2) this device must accept any interference, including interference that may cause undesired operation of the device.

All wiring should be done by a qualified electrician and shall be in compliance with local codes and with the

National Electric Code ANSI/NFPA No. 70-current (In the United States), or with the current CSA C22.1 Canadian Electric Code (in Canada).

1.0 Installation Instruction

1.1 Installing the Receiver

WARNING: TURN ELECTRICAL POWER OFF AT THE CIRCUIT BEAKER BEFORE BEGINNING THIS INSTALLATION.

1. Connect the electrical service wires to the junction box of the fireplace.
2. Place the receiver onto the base pan of the fireplace.
3. Connect the wires labeled "Main Valve" to the Millivolt generator and Millivolt valve (see Fig.1) or the Emergency Switch (Fig.2). Switch the Emergency Switch to OFF position if it is installed. Use the Emergency Switch only during a power failure.

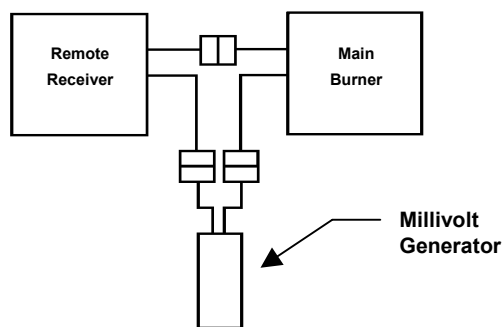


Figure 1

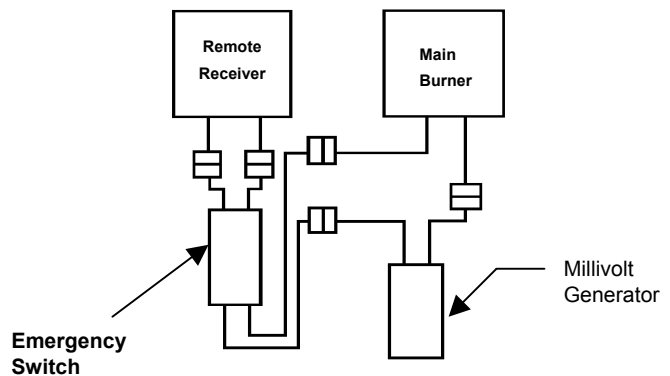


Figure 2

NOTE: THE REMOTE CONTROL CANNOT TURN OFF THE FIREPLACE IF THE EMERGENCY SWITCH IS SWITCH TO "ON" POSITION

4. Plug the cord from the blower (2-prong male plug) into the black cord (2-hole female plug end) of the receiver.
5. Plug the orange cable labeled "Solenoid" to the modulation solenoid of the gas valve. See Fig. 3.

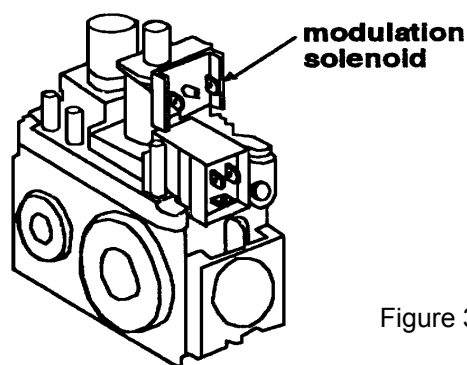


Figure 3

6. Slide the slide switch at the bottom of the Receiver to NG for natural gas and LPG for Liquid petroleum gas.
7. Plug the black cord (2-prong male plug end) of the receiver into the junction box.
8. Turn the electrical power "ON" at the circuit breaker.
9. Follow the Lighting Instruction section in the fireplace instruction manual. Be certain that the pilot light is on and the gas control valve is in the "ON" position.

2.0 Operation Instructions:

The WMT 103 Remote Control has 3 operating modes. They are: Manual, Auto, Timer.

Use the Up and Down buttons to set the target temperature between 45°F and 90°F, or 8°C and 32°C.

2.1 Operating Modes :

A. Manual Mode:

1. Press the Manual On/Off button once to light the fireplace. Push the button again to turn it off.
2. In Manual mode the Remote Transmitter will not turn the fireplace off even if the room temperature exceeds the target temperature.
3. The fireplace will automatic turn off after 6 hours.

B. Auto Mode:

1. Set the desired target temperature.
2. Press the Auto On/Off button once to activate the Auto mode. In Auto Mode the Remote Transmitter will automatically turn on the fireplace when the room temperature is below the target temperature and turn off the fireplace when the room temperature is above the target temperature.
3. Press Auto On/Off button or Manual On/Off buttons to turn off the fireplace (if it is already on) and exit Auto Mode.

WARNING: IT TAKES SOME TIME FOR THE RECEIVER TO RESPOND TO THE TRANSMITTER.DO NOT PRESS THE MANUAL AND / OR AUTO ON/OFF BUTTONS MORE THAN ONCE WITH 2 SECONDS FOR CORRECT OPERATION.

C. Timer Mode:

1. You can set the timer to the length of time you want the fireplace to operate (1 to 120 minutes).
2. Press the "TIMER" button once. The Timer display "----" will blink.
3. Press the Up and Down buttons to set the timer. The LCD will display the time chosen.
4. The timer setting can be cancelled at any time by press and hold the "TIMER" button.
5. Press Manual or Auto On/Off button to turn on the fireplace.
6. The fireplace will turn off at the end of the timer setting.

D. Child-Proof Function :

1. Remove the cover at the back of the Remote Transmitter to expose the CHILD-PROOF switch.
2. Slide the CHILD-PROOF switch to position marked C/P to activate the CHILD-PROOF function
"*Child-Proof*" will appear on the LCD. See Fig 4.
3. In CHILD-PROOF the Remote Transmitter will not operate the Remote Receiver until the "child-proof" code is used or the switch is returned to the other position.
4. Press the Up and Down buttons in the following sequence, Up-Down-Down-Up-Down, within 2 seconds button function will be temporarily restored, "*Child-Proof*" will disappear from the LCD.
5. If no button is pressed within 2 minutes, the Remote Transmitter will return to Child-Proof function and "*Child-Proof*" will reappear on the LCD until the Child-Proof switch is slide back to the other position.

E. Settings :

1. Press and hold clock button for about 2 seconds.
2. The hour display will flash. Use the Up and Down buttons to set the hour.
3. Press the clock button again and the minute display will flash. Use the Up and Down buttons to set the minutes.
4. Press the clock button again and the °F or °C display will flash. Use the Up and Down button to select the Remote Transmitter to display temperature in °F or °C.
5. Press the clock button again to exit setting.

F. Batteries

1. The Remote Transmitter uses 3 AAA-size batteries. Replace these batteries at least every 6 months or when the Low battery indicator on the LCD is on.
2. After you take out the batteries, wait for at least 1 minute before putting fresh batteries into the Remote Transmitter.
3. Use fresh alkaline batteries only.

3.0 IMPORTANT SAFETY FEATURE:

You can set a private code into your system to prevent accidental operation by another transmitter nearby.

3.1 Coding Instructions:

1. Slide the code switches at the back of the Remote Transmitter to your choice of ON or OFF positions. FACTORY SETTING IS ALL "OFF".
2. Remove power from the Remote Receiver by unplugging the power cord or power off at the circuit breaker.
3. Take the Remote Transmitter close to the fireplace or the Remote Receiver (less than 5 feet from the fireplace or Remote Receiver is recommended.)
4. Powering-up the Remote Receiver.
5. Install fresh AAA alkaline batteries into the Remote Transmitter. The LCD on the Remote Transmitter will blink.
6. Press a button on the Remote Transmitter. The Remote Receiver will produce a 'beep' sound when it receives the code from the Remote Transmitter.
7. If you do not hear a 'beep' sound from the Remote Receiver, remove batteries from the Remote Transmitter and power from the Remote Receiver. Wait for 1 minute and repeat step 3 to 6.
8. Replace the cover of the Remote Transmitter and the Receiver. The system is now ready to operate.
9. If you desire to operate multiple Remote Receivers with the one Remote Transmitter, continue to hold the button on the Remote Transmitter as you bring the Remote Transmitter within 5 feet of each Remote Receiver then slide the switch on the Remote Receivers to ON position. Each will acknowledge receipt of coding with a beep.