



## Acumen Wall Mount Programmable Model H Fireplace Remote Control

### Installation and Operation Instructions:

The Acumen Wall Mount Programmable Model H Remote Control is designed for use with decorative gas fireplace and wall heaters using SIT 825 Nova gas valve.

The Wall Mount Programmable Model H Transmitter is an eight-buttons wall mount transmitter, which is used as a thermostat to turn the gas on and off, adjust the flame height, and turn the blower on/off and adjust its speed to Hi-Medium-Low. The display of the transmitter shows the clock, current room temperature and the low battery indicator.

#### Installation Precautions:

The Wall Mount Programmable Model H Remote Control is tested safe when installed in accordance with this installation manual. It is your responsibility to read all instruction before starting installation and to follow these instructions carefully during installation.

The Wall Mount Programmable Model H Remote Control **MUST** be installed by a qualified service technician.

The Wall Mount Programmable Model H Remote Control is carefully engineered and **MUST** be installed only as specified. If you modify it or any of its components, you may possibly cause a fire hazard.

#### FCC Requirements

Warning : Changes or modifications to this unit not expressly approved by the party responsible for compliance could void the user's authority to operate the equipment. This equipment has been tested and found to comply with the limits for a Class B digital device, pursuant to Part 15 to the FCC Rules. These limits are designed to provide reasonable protection against harmful interference in a residential installation. This equipment generates, uses, and can radiate radio frequency energy and, if not installed and used in accordance with the instructions, may cause harmful interference to radio communications. However, there is no guarantee that interference will not occur in a particular installation. If this equipment does cause harmful interference to radio or television reception, which can be determined by turning the equipment off and on, the user is encouraged to try to correct the interference by one or more of the following measures:

- Reorient or relocate the receiver antenna.
- Increase the separation between the equipment and receiver.
- Connect the equipment into an outlet on a circuit different from that to which the receiver is connected.
- Consult the dealer or an experienced radio TV technician for help.

#### Canadian Equipment Requirements

This digital apparatus does not exceed the (class A/Class B)\* limits for radio noise emissions from digital apparatus set out in the Radio Interference Regulations of the Canadian Department of Communications. Le present appareil numerique n'emet pas de bruits radioelectriques depassant les limites applicables aux appareils numeriques (de la class A/de la class B)\* prescrites dans le Reglement sur le brouillage radioelectrique edicte par le ministere des Communications du Canada.

This device complies with RSS-210 of Industry and Science Canada. Operation is subject to the following two conditions : (1) this device may not cause interference, and (2) this device must accept any interference, including interference that may cause undesired operation of the device.

All wiring should be done by a qualified electrician and shall be in compliance with local codes and with the National Electirc Code ANSI/NFPA No. 70-current (In the United States), or with the current CSA C22.1 Canadian Electirc Code (in Canada).

## 1.0 Installation Instruction

### 1.1 Installing the Receiver

**WARNING: TURN ELECTRICAL POWER OFF AT THE CIRCUIT BEAKER BEFORE BEGINNING THIS INSTALLATION.**

1. Connect the electrical service wires to the junction box of the fireplace.
2. Place the receiver onto the base pan of the fireplace.
3. Connect the wires labeled " Main Valve" to the Millivolt generator and Millivolt valve (see Fig.1) or the Emergency Switch (Fig.2). Switch the Emergency Switch to OFF position if it is installed. Use the Emergency Switch only during a power failure.

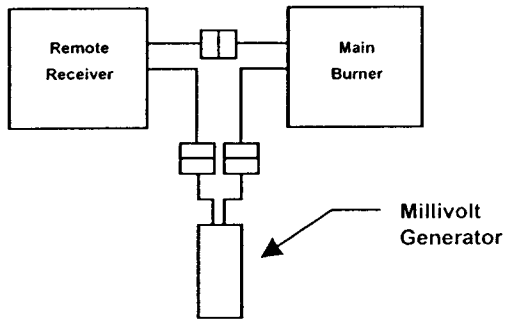


Figure 1

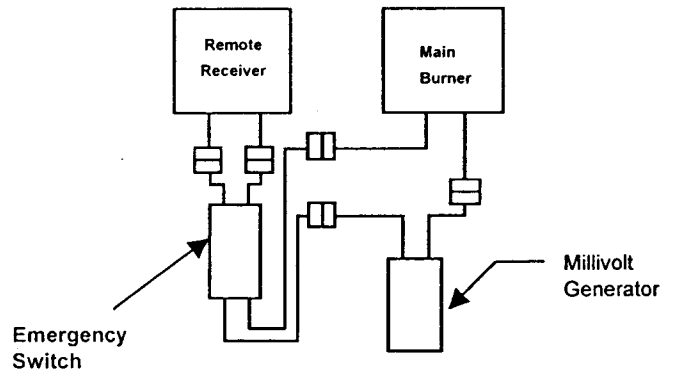


Figure 2

**NOTE: THE REMOTE CONTROL CANNOT TURN OFF THE FIREPLACE IF THE EMERGENCY SWITCH IS SWITCH TO "ON" POSITION**

4. Plug the cord from the blower (2-prong male plug) into the black cord (2-hole female plug end) of the receiver.
5. Plug the orange cable labeled "Solenoid" to the modulation solenoid of the gas valve. See Fig. 3.

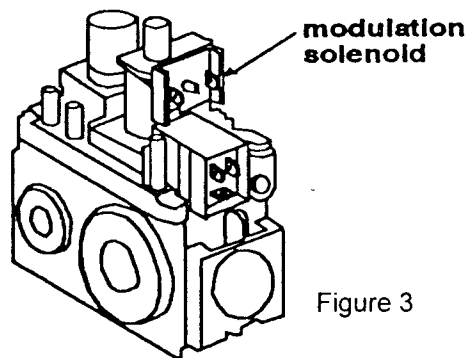


Figure 3

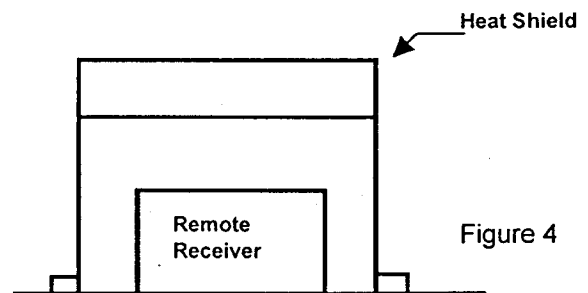


Figure 4

6. Slide the slide switch at the bottom of the Receiver to NG for natural gas and LPG for Liquid petroleum gas.
7. Plug the black cord (2-prong male plug end) of the receiver into the junction box.
8. In order to prevent the Remote Receiver from overheating, put a Heat shield (option item) above the Remote Receiver. See Figure 4.
9. Turn the electrical power "ON" at the circuit breaker.
10. Follow the Lighting Instruction section in the fireplace instruction manual. Be certain that the pilot light is on and the gas control valve is in the "ON" position.

### 1.2 Installing the Remote Transmitter

1. Install the Wall Mount bracket horizontally onto the wall using the screws provided. See figure 5.
2. Slide the Wall Mount Programmable Transmitter onto the Wall Mount bracket as shown is figure 6.
3. Slide the battery compartment into the Wall Mount Programmable Transmitter as shown in figure 7.

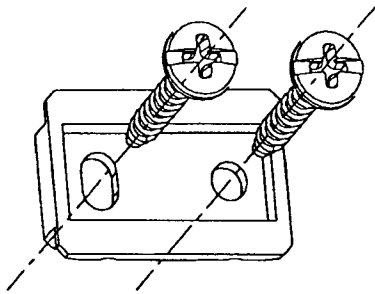


Figure 5

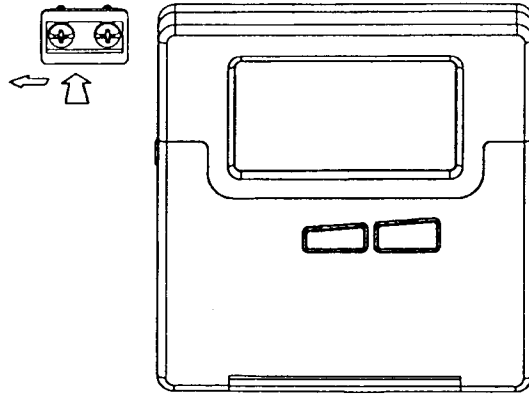


Figure 6

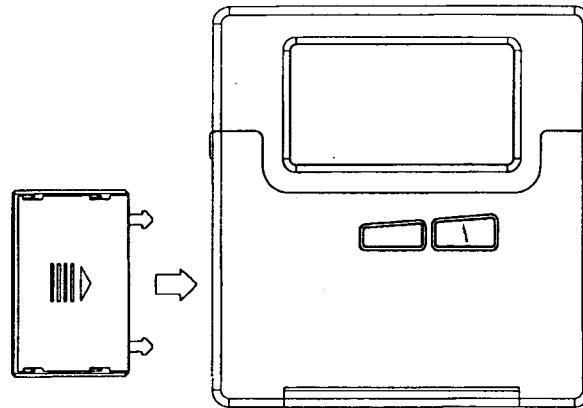


Figure 7

## 2.0 Operation Instructions:

### 2.1 Transmitter Operation

The Wall Mount Programmable Model L Remote Control has 2 operating modes. They are: System ON and Manual on/off.

#### 2.1.1 Program the Thermostat

1. Press the Prog INT button and then use the Up or Down buttons to choose NO and Press the Enter button to skip adjusting clock.
2. Choose NO again (if necessary) to skip Vacation Override.
3. Then Choose YES for programming the thermostat.
4. Follow through the instruction at the LCD to program the Thermostat.
5. The System will be automatically turned ON after you finish programming the thermostat.

#### 2.1.2 Operation Modes

##### A. System On:

1. Press the PROG ON/OFF button to turn the system On. The Remote Control will automatically adjust the temperature when you are at home, away or sleep according to the program.
2. You may also use the Up or Down buttons to override the set temperature if desired.
3. Press the PROG ON/OFF button again to turn off the system.

##### B. Manual Mode:

1. Manual Mode can only be activated when the System is off.
2. Press the Manual On/Off button once to activate the Manual mode.
3. In Manual Mode the Remote Transmitter will automatically turn on the fireplace when the room temperature is below the set temperature and turn off the fireplace when the room temperature is above

the target temperature.

4. Use the Up or Down buttons to adjust the set temperature.
5. Press Manual ON/OFF buttons to turn off the fireplace (if it is already on) and exit Manual Mode.

**WARNING: IT TAKES SOME TIME FOR THE RECEIVER TO RESPOND TO THE TRANSMITTER. DO NOT PRESS THE MANUAL ON/OFF BUTTONS MORE THAN ONCE WITH 2 SECONDS FOR CORRECT OPERATION.**

### **2.1.3 Vacation Override**

1. Vacation Override can be activated to save energy when you are away. In Vacation Override the Remote Control will maintain the temperature at the "away temperature".
2. You can only activate the Vacation Override when the System is On.
3. Press the PROG INT button.
4. Use the Up and Down buttons to choose NO and then press the Enter button to skip adjusting clock.
5. Then Choose YES for Vacation Override.
6. Use the Up and Down buttons to set the number of days you are away. Then press the Enter button.
7. You can cancel the Vacation Override at anytime. Press the PROG INT button, then use the Up or down buttons to choose YES and press the Enter button to cancel the Vacation Override.

### **2.1.4. Child-Proof Function :**

1. Remove the cover at the back of the Remote Transmitter to expose the CHILD-PROOF switch.
2. Slide the CHILD-PROOF switch to position marked C/P to activate the CHILD-PROOF function "C/P" will appear on the LCD. See figure 8.
3. In CHILD-PROOF the Remote Transmitter will not operate the Remote Receiver until the "child-proof" code is used or the switch is returned to the other position.
4. Press the Up and Down buttons in the following sequence, Up-Down-Down-Up-Down, within 2 seconds button function will be temporarily restored, "C/P" will disappear from the LCD.
5. If no button is pressed within 2 minutes, the Remote Transmitter will return to Child-Proof function and "C/P" will reappear on the LCD until the Child-Proof switch is slide back to the other position.

### **2.1.5. Adjust Clock:**

1. Press the PROG INT button, use the Up or Down buttons to choose YES then press the Enter button to adjust the clock.
2. Follow the instruction displayed on the LCD to adjust the clock.

### **2.1.6. Power Saving Mode:**

1. There is a power saving mode in the Remote Transmitter. When "you are away or asleep" the Remote Transmitter will enter power saving mode.
2. In the power saving mode the Remote Transmitter will turn off the LCD. However all other functions in the Remote Transmitter will work normally.
3. When you press any button on the Remote Transmitter the LCD come back on.
4. The Remote Transmitter will go back to power saving mode afterward.
5. The Remote Transmitter will exit power saving mode when "you are awake or come back".

### **2.1.7. Flame and Flame Adjustment:**

1. During the System is On or In Manual you can adjust the flame height and fan speed of the fireplace.
2. Press the Flame button and use the Up and down arrow to adjust the flame height to 1, 2, 3 and 4.
3. Press the Fan button and use the Up and Down arrow to adjust the fan speed to Low, Med, High or off.
4. The fan will turn on and off automatically with the fireplace place.

## **2.2 Changing Batteries**

1. The Remote Transmitter uses 3 AAA-size batteries. Replace these batteries at least every 6 months or when the Low battery indicator on the LCD is on.
2. Press the battery compartment slightly into the Remote Transmitter and then release. The battery compartment will pop out of the Remote Transmitter.
3. Slide open the battery door and replace batteries.
4. Replace the battery door and slide the battery compartment back into the Remote Transmitter.
5. After you take out the batteries, wait for at least 1 minute before putting fresh batteries into the Remote Transmitter and Receiver.

6. Use fresh alkaline batteries only.

**WARNING: THE REMOTE TRANSMITTER WILL AUTOMATICALLY SWITCH OFF THE FIREPLACE WHEN THE BATTERIES IN THE REMOTE TRANSMITTER IS LOW.**

### 3.0 IMPORTANT SAFETY FEATURE:

You can set a private code into your system to prevent accidental operation by another transmitter nearby. See Fig.8.

#### 3.1 Coding Instructions:

1. There are code switches at the back of the Remote Transmitter. Slide the code switches to you choice of ON or OFF positions. FACTORY SETTING IS ALL "OFF".
2. Remove power from the Remote Receiver by unplugging the power cord or power off at the circuit breaker.
3. Take the Remote Transmitter close to the fireplace or the Remote Receiver (less than 5 feet from the fireplace or Remote Receiver is recommended.)
4. Powering-up the Remote Receiver.
5. Install fresh AAA alkaline batteries into the Remote Transmitter and follow the instruction on the LCD.
6. The Remote Receiver will produce a 'beep' sound when it receives the code from the Remote Transmitter.
7. If you do not hear a 'beep' sound from the Remote Receiver, removes batteries from the Remote Transmitter and power from the Remote Receiver. Wait for 1 minute and repeat step 2 to 6.
8. The system is now ready to operate.
9. If you desire to operate multiple Remote Receivers with the one Remote Transmitter, continue to hold the button on the Remote Transmitter as you bring the Remote Transmitter within 5 feet of each Remote Receiver then slide the switch on the Remote Receivers to ON position. Each will acknowledge receipt of coding with a beep.

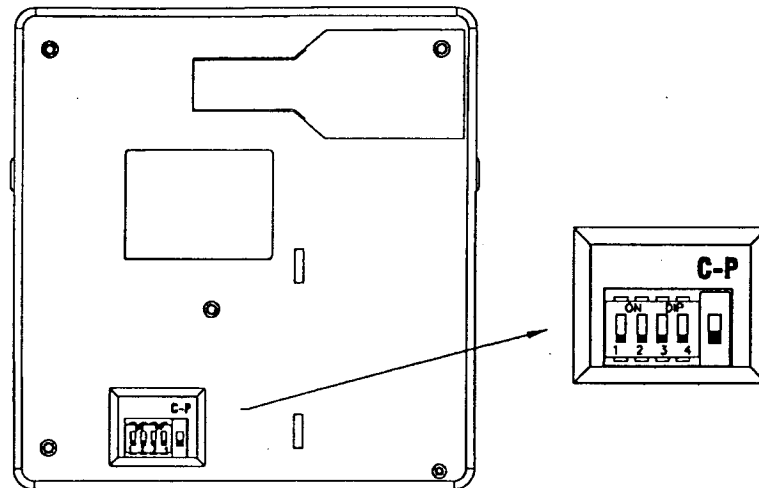


Figure 8