

# 58160D Wireless Outdoor Sensor – Quick Installation Guide

For Online Support visit: <http://www.security.honeywell.com/hsc/resources/MyWebTech/>

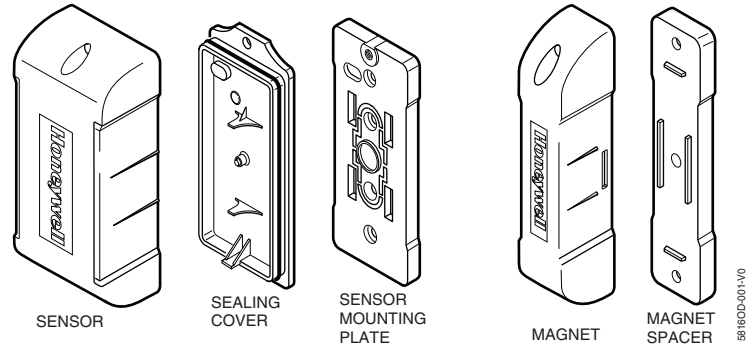
WARRANTY For the latest warranty information go to: <http://www.security.honeywell.com/hsc/resources/wa/>

## General Information and Component Identification

The Honeywell 58160D Wireless Outdoor Sensor (referred to as the Sensor) brings the convenience of wireless technology to the outdoors. The major features are:

- Weatherized security protection for an outdoor environment. Great for sheds, barns, garages, pool gates, fences, and rural mailbox (notifications).
- Versatile mounting options on flat and round materials.
- Cover and rear tamper detection.
- Can be painted to coordinate with mounting surface.
- Operating temp: – 40 to +50 °C (– 40 to +122 ° F) at RH of 100% (rain, snow).
- Maximum Magnet Gap:
  - Wood: 1.75 inches
  - Metal: 1.25 inches

### COMPONENT IDENTIFICATION



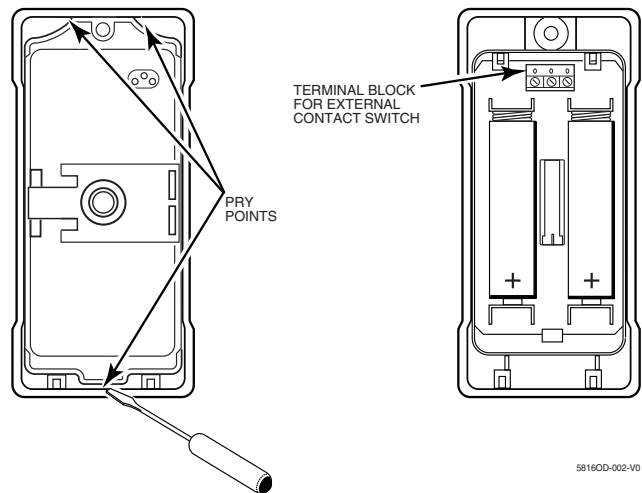
## Installing / Replacing the Batteries

### IMPORTANT:

- Always change both batteries. Do not mix weak batteries with new batteries.
- Use two (2) lithium 1.5VDC AA cells. (For best life, use Eveready's **Energizer Ultimate LITHIUM** AA batteries, Honeywell part number 462)
- **OBSERVE BATTERY POLARITY.**

### Battery Replacement:

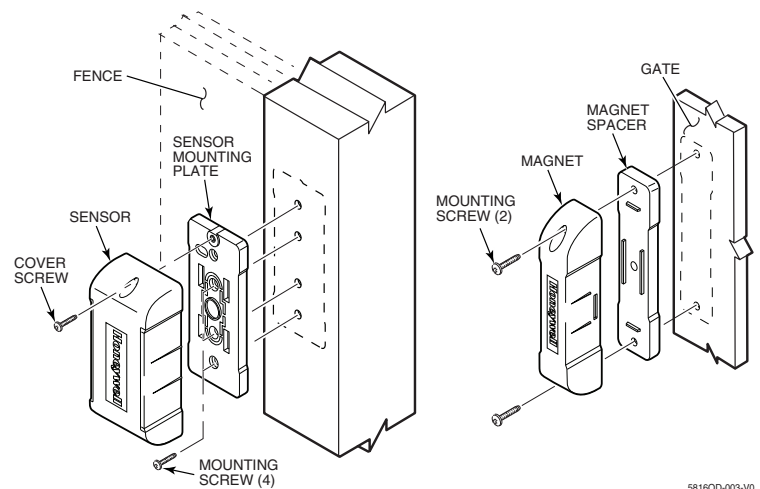
1. Remove cover screw and swing Sensor to remove from Sensor Mounting Plate.
2. Use screwdriver in any pivot point and pry Sealing Cover off. Replace batteries.
3. Orient the Sealing Cover so the screw hole lines up with the screw hole in the sensor cover, and press to close.
4. Engage Sensor tabs into mating holes in Sensor Mounting Plate and swing closed. Secure with cover screw.



## Mounting Guidelines

- This device is intended for vertical surfaces (to be mounted at a sufficient height) where snow, ice and water buildup will not interfere with its operation.
- Mount the Magnet on the magnet sensing side of the Sensor as identified by the side ribs on the Sensor.
- Mount the Sensor on a stationary surface, and mount the Magnet on the moveable surface.
- When used on wooden sheds and barns, mount the sensor and magnet on the inside of the structure.
- Use the Magnet Spacer when mounting on metal surfaces; or if needed to achieve proper alignment with the Sensor.
- Use screws suitable for the material being fastened to.

### FLAT SURFACES



### Curved Surfaces:

Suggested mounting hardware such as the strap ties and cable ties are not supplied.

- Mount using self locking stainless steel strap ties.

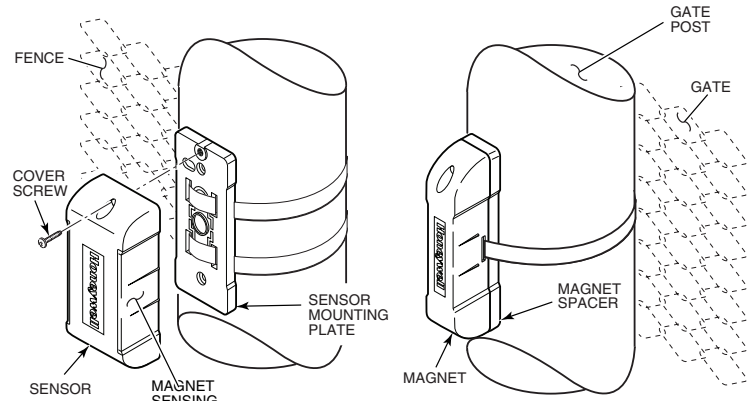


58160D-005-V0

#### Self Locking Stainless Steel Strap Tie

- Alternately you can use extra heavy duty **Nylon 6/6 UV and Temperature Rated** cable ties (0.5 inch wide).
- If desired you may use screws in addition to the ties.

### CURVED SURFACES



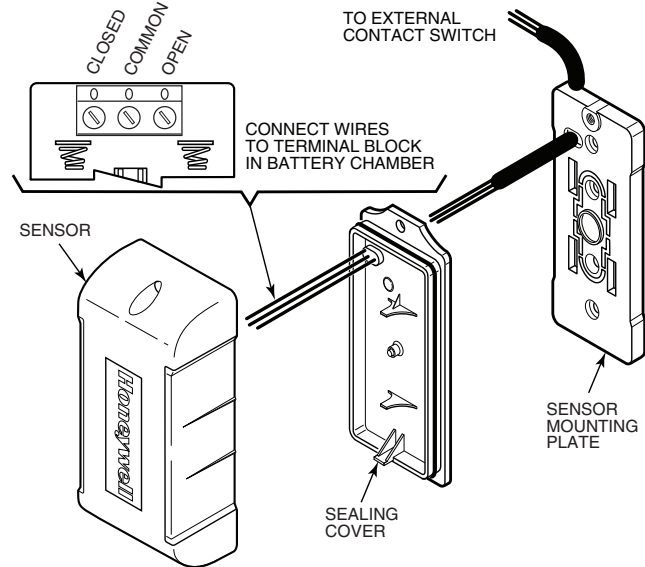
58160D-004-V0

### ROUTING EXTERNAL WIRING – Optional for use with external closed contact switches, such as the Honeywell N7945-2GY:

**Note:** Use minimum of 22AWG jacketed cable. The contact switch must be a Form C (SPDT) type.

**UL** – The wired contact must be less than 3 feet from the transmitter.

1. Strip cable jacket back 4-inches to allow enough slack to remove Sealing Cover when changing batteries.
2. Pass cable through the access hole in Sensor Mounting Plate. Use cable notch on mounting plate to pass jacketed portion of cable through. Then attach the Sensor Mounting Plate.
3. Route cable to the external contact switch and fasten at intervals to secure cable.
4. Remove the Sealing Cover and thread wires through the rubber wire seal. If installed, REMOVE ANY BATTERIES.
5. Connect wires to terminal block in battery chamber, then INSTALL the batteries.
6. Replace the Sealing Cover. (Note, orient the cover so the screw hole lines up with the screw hole in the sensor cover, and press to close.)
7. Engage Sensor tabs into Sensor Mounting Plate mating holes and swing closed. Secure with cover screw.



58160D-006-V0

### PAINTING THE SENSOR:

The sensor and magnet may be painted to coordinate its color with the mounting surface. Use only paints that are made for plastic and follow the manufacturer's direction for preparing the plastic and applying the paint. Observe the required drying and curing times.

DO NOT USE METALLIC PAINT COLORS.

### Recommended Paints:

- Krylon® "Fusion for Plastic"
- Rust-Oleum® "Plastic"
- Dupli-Color® "Vinyl & Fabric Coating"

## Programming the Control Panel

You must program the transmitter's serial number, input type (RF Supervised), response type, and loop # in the control panel. (Either or both loops may be used. Loop # 2 is for the magnet sensing, and Loop # 1 is for the external contact switch.) Refer to the control panel's instructions for further details. **Note:** The transmitter's serial number may be found on the carton, and in the Battery Chamber.

### FCC / IC STATEMENT

This device complies with Part 15 of the FCC rules and RSS 210 of Industry Canada. Operation is subject to the following two conditions: (1) This device may not cause harmful interference, and (2) This device must accept any interference received, including interference that may cause undesired operation.

Cet appareil est conforme à la partie 15 des règles de la FCC & de RSS 210 des Industries Canada. Son fonctionnement est soumis aux conditions suivantes: (1) Cet appareil ne doit pas causer d'interférences nuisibles. (2) Cet appareil doit accepter toute interférence reçue y compris les interférences causant une réception indésirable.

### FEDERAL COMMUNICATIONS COMMISSION STATEMENT

The user shall not make any changes or modifications to the equipment unless authorized by the Installation Instructions or User's Manual. Unauthorized changes or modifications could void the user's authority to operate the equipment.



800-04494 6/10 Rev. A

# Honeywell

2 Corporate Center Drive, Suite 100  
P.O. Box 9040, Melville, NY 11747

Copyright © 2010 Honeywell International Inc.  
[www.honeywell.com/security](http://www.honeywell.com/security)