

'5816S' PRODUCT VARIANT

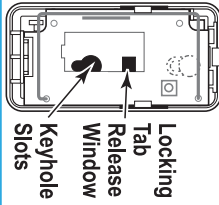
SEE CARTON INTERIOR DRAWING FOR FCC/IC STATEMENTS

Perforation (1/4" x 1/8")

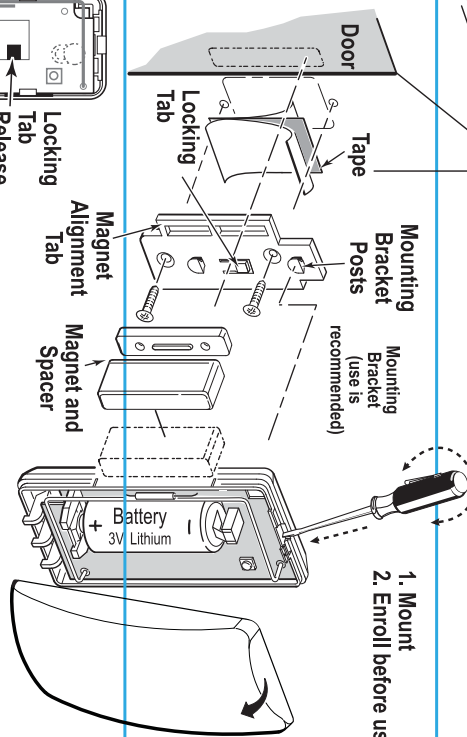
See inside of carton for installation instructions.

FOR DOCUMENTATION AND ONLINE SUPPORT
https://mywebtech.honeywell.com/
FOR WARRANTY INFORMATION GO TO:
www.honeywell.com/security/hsc/resources/wa.

MOUNTING and ENROLLING NOTES
Refer to the control's instructions to select a mounting location, enroll and program the device.
Before mounting, conduct Go/No Go tests to verify adequate signal strength. Reorient or relocate the device as needed.
Program the device as an "RF" type device.
UL: Program as a "Supervised RF" device type.
Note: Product must be tested at least once each week.



To remove the mounting bracket, disengage the case locking tab through the locking tab release window and slide the mounting bracket upward.



See inside of carton for installation instructions.

Battery Information
Replace battery only with:
3V Lithium
Panasonic CR123A,
Duracell DL123, DL123A or
Honeywell 466.
Observe correct polarity.

REFER TO THE INSTALLATION INSTRUCTIONS FOR THE CONTROL WHICH THIS DEVICE IS USED, FOR DETAILS REGARDING LIMITATIONS OF THE ENTIRE ALARM SYSTEM.

BATTERY CAUTION: Risk of fire, explosion and burns. Do not recharge, disassemble, heat above 212°F (100°C), or incinerate. Dispose of used batteries promptly. Keep away from children.

Attention de batterie : Risque d'incendie, d'explosion et de brûlures. Ne rechargez pas, démontez, chauffez au-dessus de 212°F (100°C), ou incinerez. Débarrassez-vous des batteries utilisées promptement. Gardez à partir des enfants.