

'5816ST' PRODUCT VARIANT

SEE CARTON INTERIOR DRAWING FOR FCC/IC STATEMENTS

Perforation (1/4" x 1/8")

See inside of carton for installation instructions.

FOR DOCUMENTATION AND ONLINE SUPPORT  
https://mywebtech.honeywell.com/  
FOR WARRANTY INFORMATION GO TO:  
www.honeywell.com/security/hsc/resources/wa.

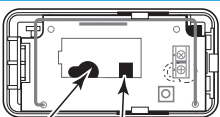
**MOUNTING and WIRING NOTES**  
Refer to the control's instructions to select a mounting location, enroll and program the device.  
For Wired Contact Loop:  
• Use closed-circuit devices; Response time: 100mSec.  
• Feed wiring through the Wire Entry Hole (concealed wiring) or use one of the Wire Breakouts (surface wiring) in the case back.  
Note: For concealed wiring, the wire exit hole in the mounting surface must be a maximum of 1/4" and located under the back case Wire Entry Hole.  
• Bared sections of loop wires MUST NOT short the red switch or antenna.  
• Without the battery inserted, connect the contact loop wires to the loop terminals.  
If contact loop is not used, no connection is needed across the loop terminals.

**ENROLL**  
Program the device as an "RF" type device.  
UL: Program as a "Supervised RF" device type.  
Note: Product must be tested at least once each week.

**Battery Information**  
Replace battery only with:  
3V Lithium  
Panasonic CR123A,  
Duracell DL123, DL123A or  
Honeywell 466.  
Observe correct polarity.

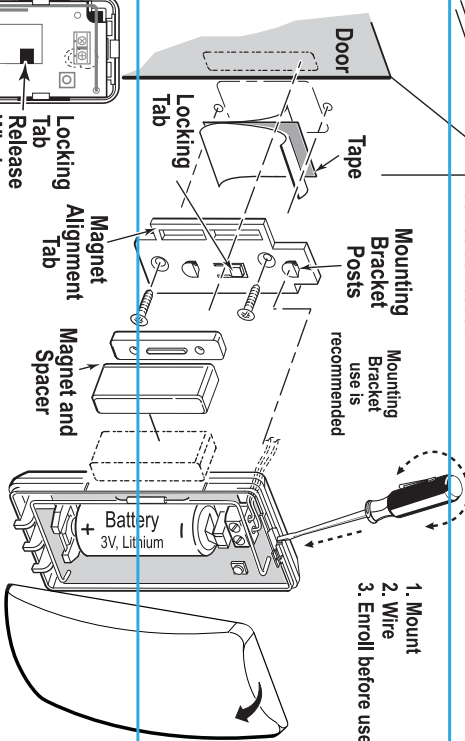
**BATTERY CAUTION:** Risk of fire, explosion and burns. Do not recharge, disassemble, heat above 212°F (100°C), or incinerate. Dispose of used batteries promptly.  
Keep away from children.  
REFER TO THE INSTALLATION INSTRUCTIONS FOR THE CONTROL WHICH THIS DEVICE IS USED, FOR DETAILS REGARDING LIMITATIONS OF THE ENTIRE ALARM SYSTEM.

Attention de batterie : Risque d'incendie, d'explosion et de brûlures. Ne rechargez pas, démontez, chauffez au-dessus de 212°F (100°C), ou incinerez. Débarrassez-vous des batteries utilisées promptement. Gardez à partir des enfants.



Keyhole  
Window  
Release  
Tab

To remove the mounting bracket, disengage the locking tab through the locking tab release window and slide the mounting bracket upward.



Note: Before mounting, conduct Go/No Go tests to verify adequate signal strength (see control panel manual). Reorient or relocate the device as needed.

See inside of carton for installation instructions.