

Door/Window Contact Transmitter

INSTALLATION AND SETUP GUIDE

GENERAL INFORMATION

Use the 5820 Slim-Line Door/Window contact transmitter only with alarm systems that support 5800 Series wireless devices. The 5820 Transmitter has its own unique serial number permanently assigned during manufacture. The same serial number must be "learned" into the control panel prior to the transmitter's usage. Refer to the control panel's installation instructions for programming details.

Note: During programming of the control panel, 5820 transmitters shall be treated as "RF" (i.e., supervised RF) Type.

The 5820 is assigned as *one* zone.

TAMPER PROTECTION

Front and back case tamper is provided using the same switch. The front case tamper is always enabled. Adding the third screw as shown in Figure 2 enables the back case tamper.

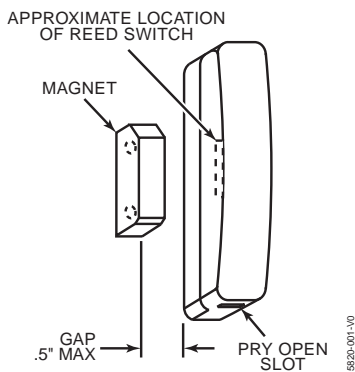


Figure 1. 5820 (Typical Installation Arrangement)

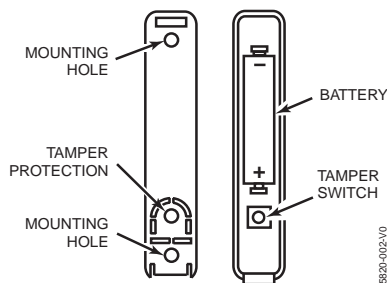


Figure 2. 5820 Mounting/Battery Location

MOUNTING

The description that follows assumes that the transmitter will be mounted as shown in Figure 1, with the magnet located adjacent to the unit's left side. The transmitter may, however, be installed in *any* direction, as long as the relationship of the unit to the magnet is maintained as shown in Figure 1.

Observe polarity and install battery supplied between the contacts in the case as shown in figure 2. Snap-shut the two halves of the transmitter case.

1. **Temporarily** mount the 5820 using the double-backed tape supplied by removing the adhesive protective cover from one side of the tape at a time.

Note: Before mounting the transmitter **permanently**, conduct *Go/No Go* tests (see control's instructions) to verify adequate signal strength and reorient or relocate the transmitter if necessary.

2. If the *Go/No Go* test was ok, **remove the transmitter's cover** by inserting the flat blade of a small screwdriver into the slot at one end of the unit as shown in Figure 1, and pulling the cover up.
3. Install mounting screws in the two outside mounting holes as shown in Figure 2.
4. If the case-back tamper switch will be used, install a third screw in the **middle** hole.
5. **Mount** the magnet (supplied) adjacent to the two vertical positioning lines on the case side (see Figure 1). The gap can be one-half an inch maximum.
6. To reinstall the cover, position it so that it covers the mounted case back, and snap-shut.

Notes: 1) **Do NOT** attempt to remove the PCB from the plastic cover for any reason. 2) The two case halves can only be fitted together in one direction.

BATTERY INSTALLATION/REPLACEMENT

Replace battery only with same or equivalent type. Dispose of used batteries according to the battery manufacturer's instruction.

1. **Remove the transmitter's cover** (if it is not already off) as described in *Mounting* Step 2.
2. **Observe correct polarity and insert the battery** provided into the battery retainer clips as shown in Figure 2.

Note: Replace battery *only* with type specified in the following specifications.

SPECIFICATIONS

Contact Gap: 0.5 inch maximum

Dimensions: 0.5" (12.7mm) x 3.0" (76.2mm) x 0.8" (20.3mm)

Battery: 1.5V, AAA, Panasonic, Sanyo, or Duracell.

FCC STATEMENT

FCC ID: CFS8DL5820MN

This device complies with Part 15 of the FCC Rules. Operation is subject to the following two conditions: (1) This device may not cause harmful interference, and (2), this device must accept any interference received, including interference that may cause undesired operation.

REFER TO THE INSTALLATION INSTRUCTIONS FOR THE CONTROL WITH WHICH THIS DEVICE IS USED, FOR DETAILS REGARDING LIMITATIONS OF THE ENTIRE ALARM SYSTEM.

**ADEMCO
GROUP**

165 Eileen Way, Syosset, NY 11791
Copyright © 2002 PITTMAY CORPORATION

