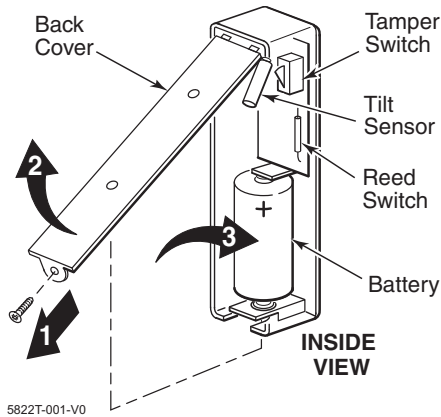


1. OPEN THE SENSOR
2. CONNECT THE BATTERY

- Observe correct polarity;
- DO NOT touch the Tilt Sensor.



3. ENROLL THE SENSOR

Enroll the sensor in the control panel. Refer to the control panel instructions for programming details. **Program the sensor as an "RF" type (supervised RF) device.**

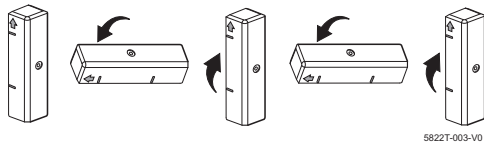
Sensor loops:

Loop 1	Terminals (Input 1), for use with a wired normally-closed contact
Loop 2	Tilt Sensor

Either or both loops can be used.

To enroll Loop 1, open and close the magnet connection (align the magnet with the sensor, move it at least 1" away and back) **two times**.

To enroll the Loop 2, hold the sensor vertically (arrow UP), tilt to horizontal position and back to vertical position **two times**.



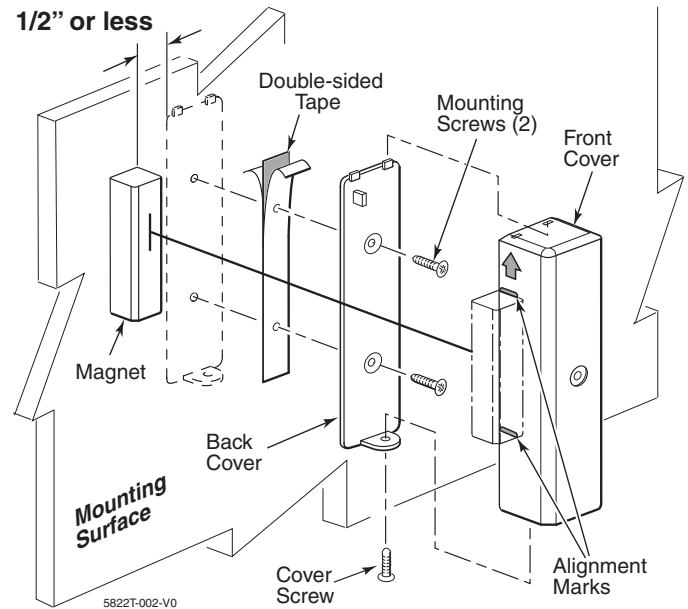
4. MOUNT THE SENSOR

Before permanently mounting the sensor, conduct Go/No Go tests (see control panel manual) to verify adequate signal strength. Relocate the sensor if necessary.

- Use the double-sided tape (supplied) to mount the sensor.
- Optional screws (supplied) are recommended. Mounting screws **must** be used in installations where temperatures drop to freezing 32° F (0° C).

For Tilt Sensor: Mount with the arrow pointing UP.

For Terminals Installation: Use a wired normally-closed contact. Feed wires through one of the concealed wiring holes or "breakout" areas.



SPECIFICATIONS

- Battery* : (included) 1 x 3 V, Lithium; Panasonic CR123A, Duracell DL123, Duracell DL123A, or Honeywell 466
- Operating Temperature: -4° to +131° F (-20° to +55° C)
- Relative Humidity: 95% max. (non-condensing)
- Dimensions: 1-9/16" W x 3-1/16" H x 1-3/16" D (40mm x 78mm x 30mm)

*Battery Caution: Risk of fire, explosion and burns. Do not recharge, disassemble, heat above 212° F (100° C), or incinerate. Dispose of used batteries promptly. Keep away from children.

REFER TO THE INSTALLATION INSTRUCTIONS FOR THE RECEIVER/CONTROL WITH WHICH THIS DEVICE IS USED FOR DETAILS REGARDING LIMITATIONS OF THE ENTIRE ALARM SYSTEM.

APPROVALS / LISTINGS

- FCC part 15, Class B verified
- IC, ICES-003, Class B verified

COMPLIANCE NOTES

Product must be tested at least once each year.

FEDERAL COMMUNICATIONS COMMISSION STATEMENT:

The user shall not make any changes or modifications to the equipment unless authorized by the Installation Instructions or User Manual. Unauthorized changes or modifications could void the user's authority to operate the equipment.

CLASS B DIGITAL DEVICE STATEMENT

This equipment has been tested to FCC requirements and has been found acceptable for use. The FCC requires the following statement for your information: This equipment generates and uses radio frequency energy and if not installed and used properly, that is, in strict accordance with the manufacturer's instructions, may cause interference to radio and television reception. It has been type tested and found to comply with the limits for a Class B computing device in accordance with the specifications in Part 15 of FCC Rules, which are designed to provide reasonable protection against such interference in a residential installation. However, there is no guarantee that interference will not occur in a particular installation. If this equipment does cause interference to radio or television reception, which can be determined by turning the equipment off and on, the user is encouraged to try to correct the interference by one or more of the following measures:

- If using an indoor antenna, have a quality outdoor antenna installed.
- Reorient the receiving antenna until interference is reduced or eliminated.
- Move the radio or television receiver away from the receiver/control.
- Move the antenna leads away from any wire runs to the receiver/control.
- Plug the receiver/control into a different outlet so that it and the radio or television receiver are on different branch circuits.
- Consult the dealer or an experienced radio/TV technician for help.

INDUSTRY CANADA CLASS B STATEMENT

This Class B digital apparatus complies with Canadian ICES-003. Cet appareil numérique de la classe B est conforme à la norme NMB-003 du Canada.

FCC / IC STATEMENT:

This device complies with Part 15 of the FCC Rules, and RSS 210 of Industry Canada (IC). Operation is subject to the following two conditions: (1) This device may not cause harmful interference (2) This device must accept any interference received, including interference that may cause undesired operation. Cet appareil est conforme à la partie 15 des règles de la FCC & de RSS 210 des Industries Canada. Son fonctionnement est soumis aux conditions suivantes: (1) Cet appareil ne doit pas causer d'interférences nuisibles. (2) Cet appareil doit accepter toute interférence reçue y compris les interférences causant une réception indésirable.

Honeywell is a registered trademark of Honeywell International Inc. All other trademarks are the properties of their respective owners. All rights reserved. Assembled in Mexico.

For the latest U.S. warranty information, please visit: www.honeywell.com/security/hsc/resources/wa or Please contact your local authorized Honeywell representative for product warranty information.

2 Corporate Center Drive, Suite 100
P.O. Box 9040, Melville, NY 11747
Copyright © 2012 Honeywell International Inc.
www.honeywell.com/security

Honeywell

