

ADEMCO

ALARM DEVICE MANUFACTURING CORPORATION

58450W

Wireless PIR Detector Installation Instructions

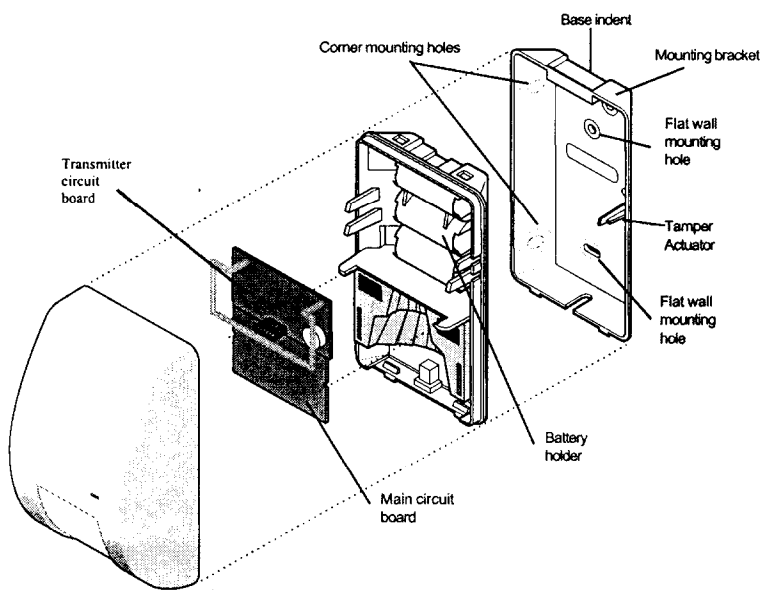


Figure 1

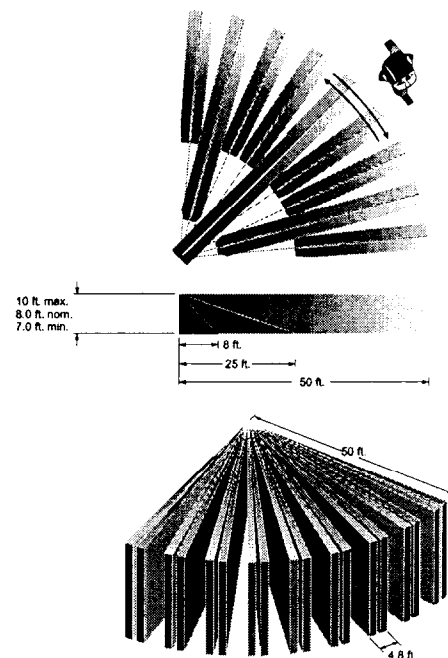


Figure 2

Description

The 58450W is a wireless low-current, passive infrared motion detector that is highly sensitive to moving infrared sources. It features superior immunity to RFI, vibration, static electricity, temperature changes and other false alarm sources.

The detector provides switch selectable sensitivity and range and allows optional masking to modify the coverage pattern for a wide variety of applications.

Parts

The following parts are included with the detector:

- PIR detector
- Three 3V lithium batteries
- Two plastic masks
- One screw to secure the PIR unit to the wall mounting bracket
- Wall mounting bracket
- Sheet of adhesive masking labels
- Removable undercrawl mask

Selecting a Location

- Mount the sensor within 200 feet of the receiver unit.
- Mount the sensor on a rigid vibration-free surface.
- Mount the sensor 7 to 10 feet high.
- Mount the sensor so the expected movement of an intruder is across the fields of the detection pattern. See Figure 2.
- Do not locate the sensor in any area with an excessive metallic surface.
- Do not locate the sensor on a surface exposed to moisture.
- Do not locate the sensor where it may be exposed to false alarm sources such as: direct sunlight, heat sources (heater, radiators, etc.) in the field of view, strong air drafts (fans, air conditioner, etc.) on sensor.
- Do not locate the sensor where the ambient temperature is below 32° F or above 131° F.