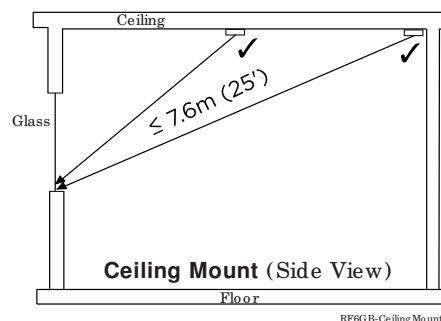
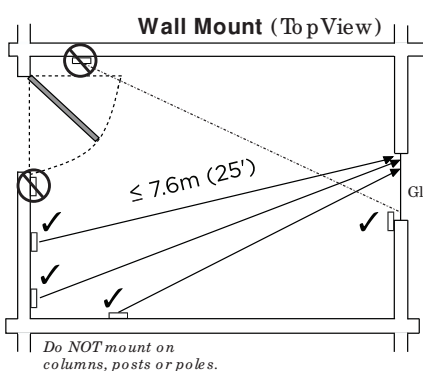
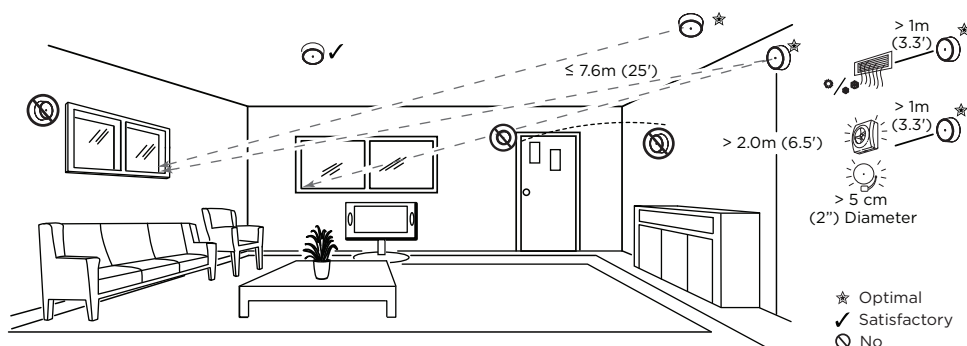


The SiXGB is a wireless glassbreak detector intended for use with Honeywell controls that support SiX™ Series devices.

Mounting Guidelines

The SiXGB can be mounted on the wall or on the ceiling:

- within 7.6 m (25 feet) of the protected glass
- within clear view of the protected glass
- at least 2 m (6.5 feet) from the floor
- at least 1 m (3.3 feet) from forced air ducts
- at least 1 m (3.3 feet) from sirens or bells greater than 5 cm (2 inches) in diameter
- between the protected glass and any heavy window coverings
- when heavy window coverings are present, the detector can be mounted on the window frame
- Avoid mounting the detector on the same wall as the protected glass, on free-standing posts or pillars, or in rooms with noisy equipment (air compressors, bells, power tools, etc.), if this equipment is operated when the detector is armed.

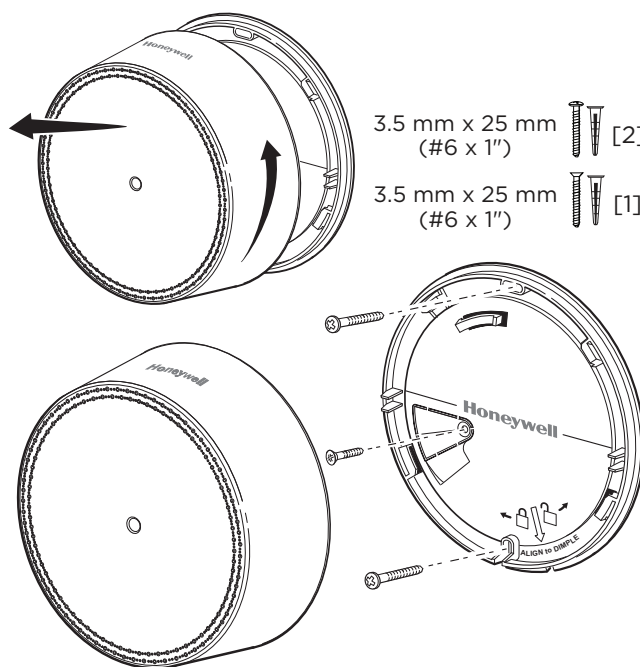


To remove the mounting bracket:

Turn the top of the detector 15 degrees counter-clockwise and separate the mounting bracket.

NOTE: Before mounting the device permanently, conduct Go/No Go tests (see controller's instructions) to verify adequate signal strength and adjust the device location and orientation as necessary.

The rear tamper plate MUST be mounted to a stud, solid wood, or with a robust wall anchor.



Enroll

This device can be enrolled and programmed either before or after installation.

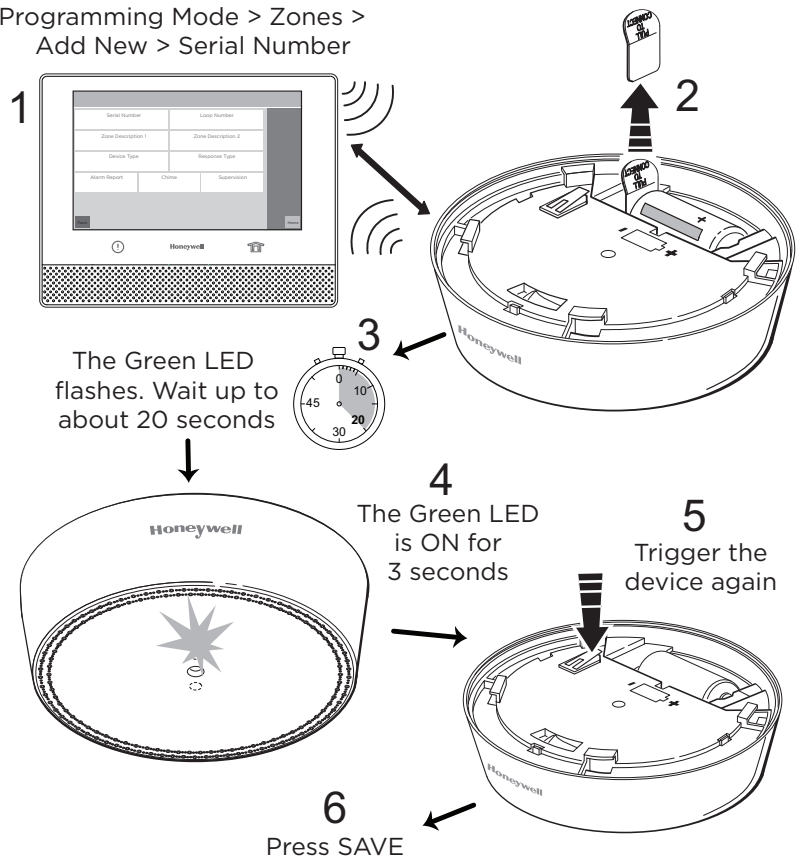
1. Set the *Lyric Controller* in Programming Mode and go to Zone Programming. Select Add New, then Serial Number. Follow the controller's instructions to begin enrollment.
2. Remove the battery tab to activate the device and begin the enrollment process.
3. The Green [G1]¹ LED flashes during enrollment (up to about 20 seconds*)
***NOTE:** Enrollment time varies depending on the signal strength between the device and the controller.
 - The device sends its unique MAC ID (Serial Number) and Services information to the controller.
 - The controller registers the device and displays the transmitter data on screen.
4. The Green [G1] LED is ON for 3 seconds and the controller beeps to confirm enrollment.
5. Trigger the detector as shown to complete enrollment.
6. Press SAVE.

If the sensor is not successfully enrolled during the enrollment period, the LED turns off and the device powers down. Activate the tamper, power down and up again, or use the FG-701 Glassbreak Simulator to restart the enrollment process.

The device can also be manually enrolled. See the Controller's Programming Guide for details.

¹Refer to the *SiXGB LEDs* section.

Programming Mode > Zones >
Add New > Serial Number



After enrolling, update the SiXGB firmware (via the Controller) to ensure the latest version is used. See the Controller's instructions.

NOTE: Once enrolled in a system, the detector cannot be used with another controller until it is removed from the current controller. See the Controller's instructions for details.

Program the SiXGB

Consult the Controller's instructions for programming the device in the system.

Adjust the detector sensitivity setting in the controller programming mode. Refer to the table on the right for sensitivity options.

Sensitivity Setting	Approximate Range
High*	4.6-7.6m / 15-25 ft.
Medium	3-4.6m / 10-15 ft.
Low	1.5-3m / 5-10 ft.
Lowest	0-1.5m / 0-5 ft.

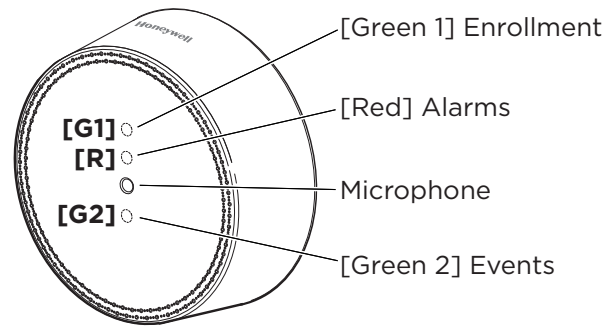
*Factory default. Change the sensitivity setting at the Controller.

SiXGB LEDs

The detector has three LEDs which are visible when the unit is mounted.

Green 1 [G1] LED indicates device enrollment and tamper status.

The Red [R] and Green 2 [G2] LEDs provide information on detector status during Test Mode. The **Green 2** LED indicates events and the **Red** LED indicates Alarms.



LED Indications Table

☀ ON ☀ Slow Flash ☀ Rapid Flash

G1	Red	G2	Status
		☀ ₁	10 minute Test Mode
		☀	Event detected during Test Mode
	☀	☀	Alarm detected during Test Mode
	☀ ₂	☀ ₂	Low Battery detected during Test Mode
☀			Device not enrolled; Enrollment activated
☀			Device enrolled and tamper detected

NOTE: Before using the Test Mode, the detector must first be enrolled in the controller.

¹ If the SiXGB Test Mode is activated by the FG701, the [G2] LED will flicker, then be off for 3 seconds, then flash once per second.

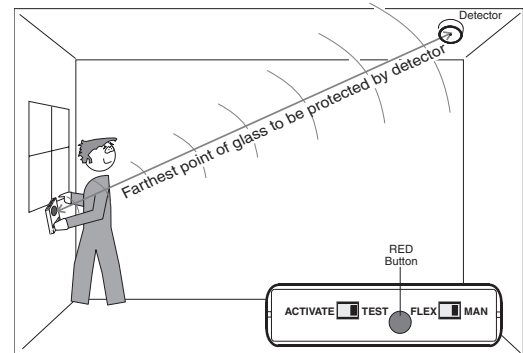
² This feature is used for field diagnosis. To save power, the LEDs are not visible during Normal Mode.

Test the SiXGB

The detector should be tested after installation and at least once a year.

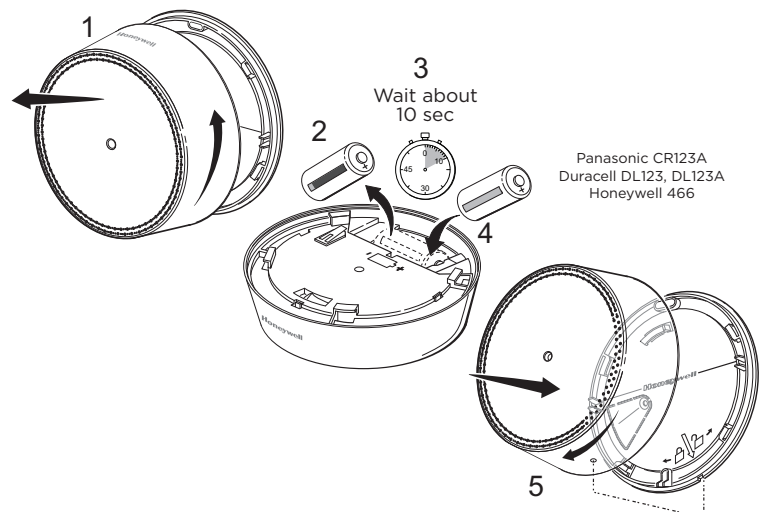
Test Mode can be activated remotely from the Controller (see Controller's manual), or on-site with an FG-701 Glassbreak Simulator, only when the system is **disarmed**.

Follow directions in the FG-701 Glassbreak Simulator Operating Instructions to activate and test the SiXGB detector.



Battery Replacement

1. Twist the front cover counterclockwise 15 degrees and separate it from the mounting bracket.
2. Remove the old battery.
3. Wait 10 seconds.
4. Insert a new battery. Replacement batteries:
Panasonic CR123A Honeywell 466
Duracell D123 Duracell D123A
5. Carefully realign the front cover as shown; reattach and twist the front cover 15 degrees clockwise to lock it in place.



BATTERY CAUTION: Risk of fire, explosion and burns. Do not recharge, disassemble, heat above 100° C (212° F) or incinerate. Dispose of used batteries properly. Keep away from children.

Specifications

Range: 0' - 25' 0 - 7.6m; Selectable

Battery: 1 x 3V, Lithium; Panasonic CR123A, Duracell DL 123, Duracell DL 123A, Honeywell 466

Tamper: Cover and Wall

RF Frequency: 2.4GHz

Operating Temperature: 0° to 50° C / 32° to 122° F (Agency compliance 0° to 49° C / 32° to 120° F)

Relative Humidity: 95% max. (Agency compliance - 93% max.), non-condensing

Dimensions: 96 mm Diameter x 29mm Thick / 3.78" Diameter x 1.14" Thick

Approval Listings

FCC / IC
cETLus Listed
Conforms to UL 639
Certified to ULC-S306

Other Standards:
RoHS



Protected Glass Types Chart

NOTE: The SiXGB is NOT recommended for protection of glass areas smaller than 27.6 cm x 27.6 cm (10-7/8 inches x 10-7/8 inches).

Glass Type*	Nominal Thickness	
	Minimum	Maximum
Plate ^{3a}	2mm (3/32 in.)	10mm (3/8 in.)
Tempered	3mm (1/8 in.)	10mm (3/8 in.)
Laminated ¹	4mm (5/32 in.)	14mm (9/16 in.)
Wired	6mm (1/4 in.)	6mm (1/4 in.)
Coated ²	3mm (1/8 in.)	6mm (1/4 in.)
Sealed Insulating ^{3b}	3mm (1/8 in.) [13mm (1/2 in.) overall]	6mm (1/4 in.) [19mm (3/4 in.) overall]

* Minimum size for all types is 28cm (11 in.) square; glass must be framed in the wall or mounted in a barrier at least 0.9m (36 in.) wide.

¹ Protected only if both plates in the unit are broken

² Coated glass with security films up to 0.35mm (14 mils) thick (including films for solar protection) may be used. Evaluated with the these products: 3M® SCOTCHSHIELD® SH14CLARL - 0.35mm (14 mils), 4 ply film; Film Technologies International, Inc.'s GLASS-GARD GGLL 1200 has been evaluated with this product by Underwriters Laboratories, Inc.

³ In compliance with Underwriters Laboratories of Canada's Standard for Intrusion Detection Units (CAN/ULC-S306-M89):

a. Plate glass 2.5mm (3/32 in.) to 10mm (3/8-in.) can be used.

b. Seal Insulating glass 4mm (5/32 in.) [15mm (19/32 in.) overall] to 6mm (1/4 in.) [(19mm) 3/4 in. overall] can be used. Sensitivity should be set to High when protection range is greater than 3.8m (12.5 ft).

FEDERAL COMMUNICATIONS COMMISSION & INDUSTRY CANADA STATEMENTS

The user shall not make any changes or modifications to the equipment unless authorized by the Installation Instructions or User's Manual. Unauthorized changes or modifications could void the user's authority to operate the equipment.

FCC / IC STATEMENT

This device complies with Part 15 of the FCC Rules, and RSS-210 of Industry Canada. Operation is subject to the following two conditions: (1) This device may not cause harmful interference, and (2) This device must accept any interference received, including interference that may cause undesired operation.

Cet appareil est conforme à la partie 15 des règles de la FCC & de RSS-210 des Industries Canada. Son fonctionnement est soumis aux conditions suivantes: (1) Cet appareil ne doit pas causer d'interférences nuisibles. (2) Cet appareil doit accepter toute interférence reçue y compris les interférences causant une réception indésirable.

RF EXPOSURE

Warning - The antenna(s) used for this device must be installed to provide a separation distance of at least 7.8 inches (20 cm) from all persons and must not be co-located or operating in conjunction with any other antenna or transmitter except in accordance with FCC multi-transmitter product procedures.

Mise en Garde

Exposition aux Fréquences Radio: L'antenne (s) utilisée pour cet émetteur doit être installée à une distance de séparation d'au moins 7,8 pouces (20 cm) de toutes les personnes.

Support and Warranty

REFER TO THE INSTALLATION INSTRUCTIONS FOR THE CONTROL WITH WHICH THIS DEVICE IS USED, FOR DETAILS REGARDING LIMITATIONS OF THE ENTIRE ALARM SYSTEM.

For the latest documentation and online support information, please go to:
<https://mywebtech.honeywell.com/>

For the latest warranty information, please go to:
www.honeywell.com/security/hsc/resources/wa.

For patent information, see www.honeywell.com/patents



MyWebTech



Warranty



Patents

© 2014 Honeywell International Inc. Honeywell and is a registered trademark of Honeywell International Inc. All other trademarks are the properties of their respective owners. All rights reserved.

Honeywell

www.honeywell.com/security

2 Corporate Center Drive, Suite 100
P.O. Box 9040, Melville, NY 11747

800-21340 11/15 Rev A