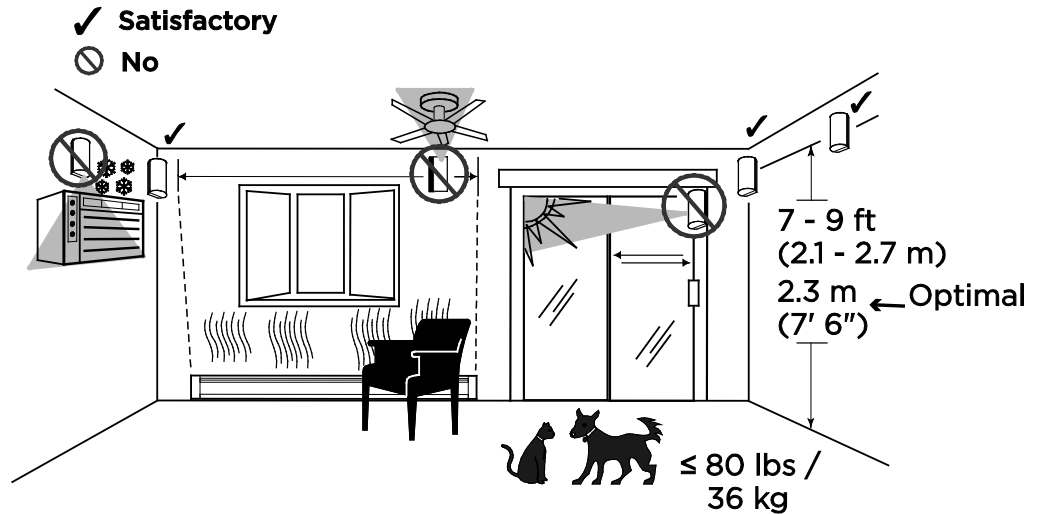


This wireless passive infrared motion sensor is intended for use with Honeywell controls that support SiX™ series devices.

Mounting Location

- The optimal range is obtained at a mounting height of 7' 6" (2.3 m).
- Allow a clear line-of-sight to all areas to protect.
- Do not directly face windows.
- Avoid close proximity to moving machinery, fluorescent lights, and heating/cooling sources.
- For use in applications with pets up to 80 pounds (36 kilograms).

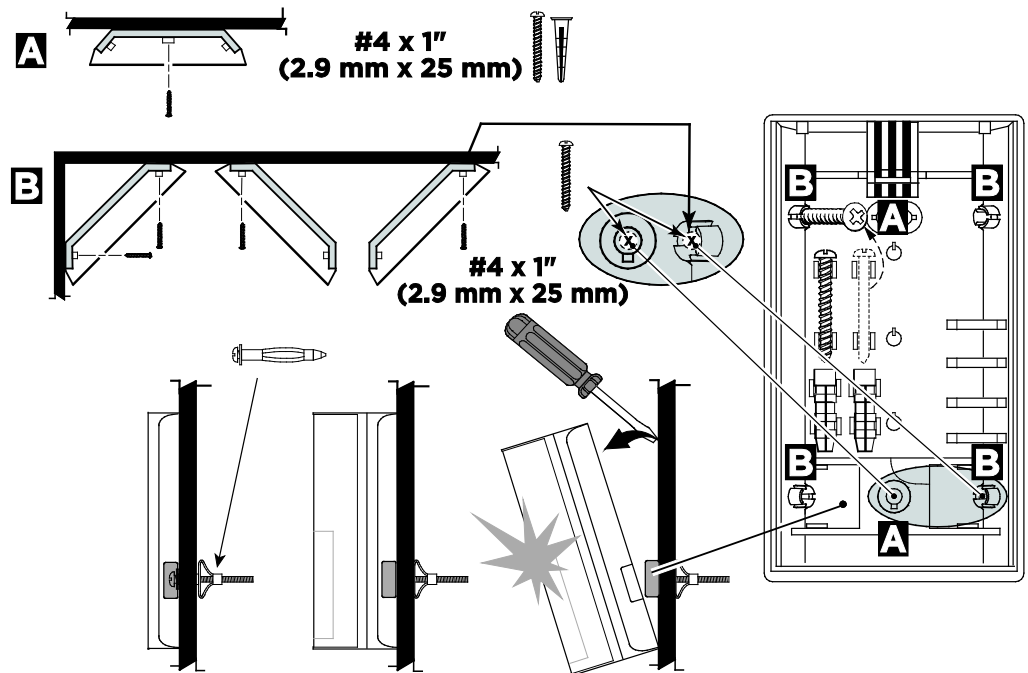


Mounting Options

The RF6PIR can be mounted on the wall or in corners:

- [A] = Wall mounting holes.
- [B] = Corner mounting holes.
- The rear tamper plate MUST be mounted to a stud, solid wood, or with a robust wall anchor.
- UL requirements: TBD

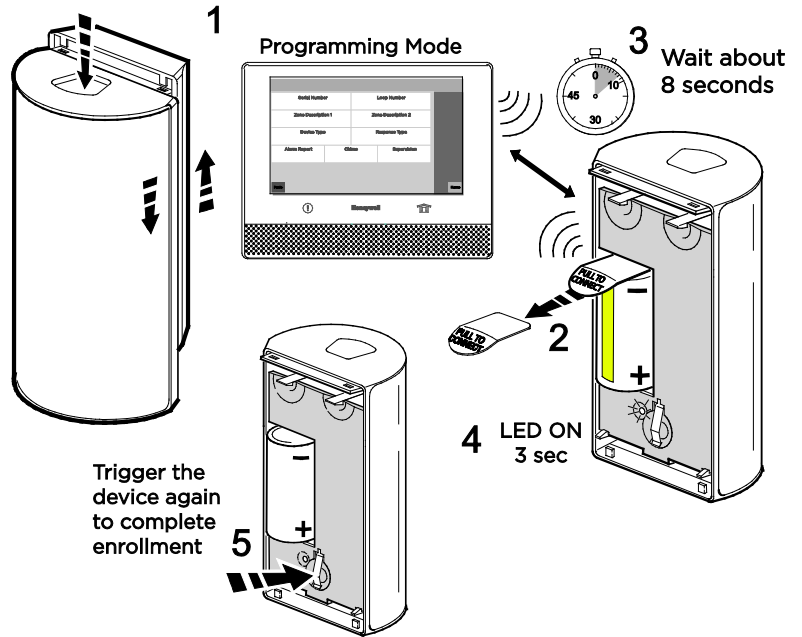
Note: before mounting the RF6PIR permanently, conduct Go/No Go tests (see control's instructions) to verify adequate signal strength and adjust the device location and orientation as necessary.



Enroll the RF6PIR

The RF6PIR can be enrolled and programmed before or after installation.

- Press down on the top latch and separate the front and back covers.
- Set the Lyric Smart Controller in Programming Mode.
- Remove the RF6PIR battery tab to activate and begin the enrollment process.
- The green LED beneath the battery flashes during enrollment (about 8 seconds) and the control beeps (TBD).
- The device sends the device MAC ID address and Services information to the control. The control registers the device and displays the transmitter data on screen.
- Enrollment is confirmed when the RF6PIR LED is ON for 3 seconds [and the control beeps TBD].
- If the sensor is not successfully enrolled during the enrollment period, the LED turns off and the device powers down. Activate a tamper to restart the enrollment process.



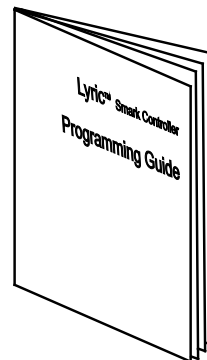
Note: Once enrolled in a system, the sensor cannot be used with another control panel until it is removed from the current control panel. See the Control's instructions for details on removing devices.

Programming RF6PIR Services

Fault device features to "Learn" device "Services" in the control:

- Cover and Wall tamper switches
- Selectable Pet Immunity -
Off or up to 80 lbs (36 kg)
- Temperature sensor; accuracy $\pm 3^{\circ}\text{F}$

Consult the Lyric Smart Controller's instructions for programming the device in the system.



Walk Test the RF6PIR

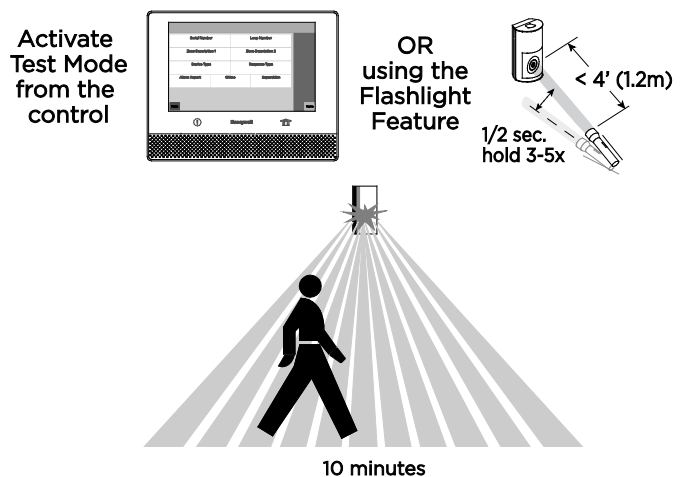
After power up and enrollment, activate the Test Mode with the control (see control's instructions) or use the Flashlight Feature. Test period.

Note: the system must be in **disarmed** mode for the 10 minute Test mode to begin.

Walk through the detection area and observe the LED.

Test Mode is active for 10 minutes, then automatically exits test mode, disables the LED and enters normal operation mode.

To restart the 10 minute Test Mode, use the flashlight feature (see the following section).

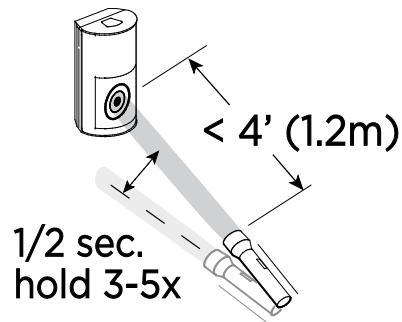


Flashlight Feature

The flashlight feature is initially only available for the first 24 hours after the first power up, or until the system is first armed. **This feature is no longer available after the first system arming.**

Each time the flashlight features is used, and the system is disarmed, the walk test timer restarts for 10 minutes.

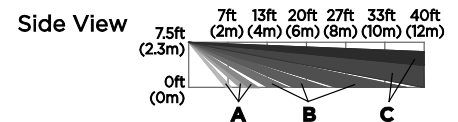
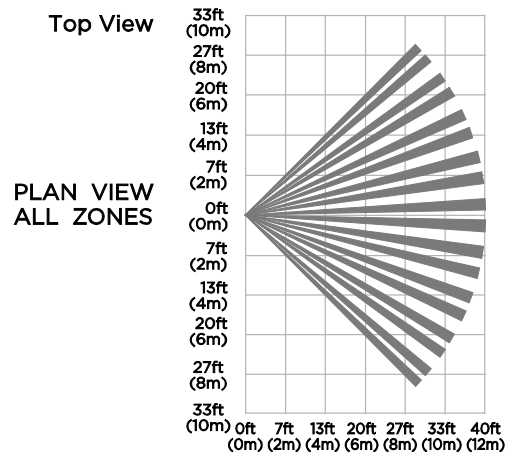
1. Use a flashlight with a bright light beam, and stand within 4' (1.2 m) of the sensor.
2. Swing the light beam past the sensor Lens 3-5 times, holding the beam on the window for 0.5 second each pass.



Note: the flashlight feature only initiates or restarts the Test Mode and does not change any other sensor settings.

Detection Patterns

DETECTION PATTERNS



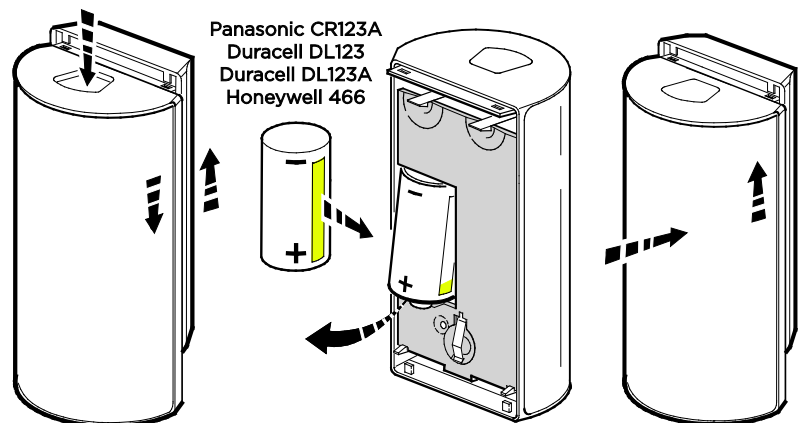
Zones

A	18	Lower
B	46	Intermediate
C	36	Long

Battery Replacement

- Remove the front cover.
- Replace the battery.
Recommended replacement batteries:
Panasonic CR123A
Honeywell 466
Duracell DL123 or DL123A
- Replace the front cover.

BATTERY CAUTION: Risk of fire, explosion and burns. Do not recharge, disassemble, heat above 212° F (100° C) or incinerate. Dispose of used batteries promptly. Keep away from children.



Specifications

Power - Battery: One 3V, Lithium; Panasonic CR123A, Duracell DL 123 or DL 123A, Honywell 466

Battery Life, years (typical): 4 years

Range: 40' x 56' / 12 m x 17 m

Wall Mounting Height: 7' - 9' (2.1 m - 2.7 m); Optimal 7'6" (2.3 m)

Tampers: Cover and Wall; (reported separately to the panel)

Operating Temperature: 32° to 122° F / 0° to 50° C

Relative Humidity: 5 to 95%; non-condensing

Temperature Compensation: Advanced Dual Slope

Dimensions: 4.13" H x 2.38" W x 1.61" D / 105 mm H x 60.4 mm W x 41 mm D

Weight: x oz / xx g (net weight)

Approval Listings

FCC / IC
SIA-PIR-01
ETL
UL 639
ULC S306-03
RoHS



The product must be tested **at least once each year.**

FEDERAL COMMUNICATIONS COMMISSION & INDUSTRY CANADA STATEMENTS

The user shall not make any changes or modifications to the equipment unless authorized by the Installation Instructions or User's Manual. Unauthorized changes or modifications could void the user's authority to operate the equipment.

FCC / IC STATEMENT

This device complies with Part 15 of the FCC Rules, and RSS-210 of Industry Canada. Operation is subject to the following two conditions: (1) This device may not cause harmful interference, and (2) This device must accept any interference received, including interference that may cause undesired operation.

Cet appareil est conforme à la partie 15 des règles de la FCC & de RSS-210 des Industries Canada. Son fonctionnement est soumis aux conditions suivantes: (1) Cet appareil ne doit pas causer d'interférences nuisibles. (2) Cet appareil doit accepter toute interférence reçue y compris les interférences causant une réception indésirable.

RF Exposure

Warning - The antenna(s) used for this device must be installed to provide a separation distance of at least 7.8 inches (20 cm) from all persons and must not be co-located or operating in conjunction with any other antenna or transmitter except in accordance with FCC multi-transmitter product procedures.

Mise en Garde

Exposition aux Fréquences Radio: L'antenne (s) utilisée pour cet émetteur doit être installée à une distance de séparation d'au moins 7,8 pouces (20 cm) de toutes les personnes.

Support and Warranty

REFER TO THE INSTALLATION INSTRUCTIONS FOR THE CONTROL WITH WHICH THIS DEVICE IS USED, FOR DETAILS REGARDING LIMITATIONS OF THE ENTIRE ALARM SYSTEM.

For the latest U.S. warranty information, please go to www.honeywell.com/security/hsc/resources/wa or Please contact your local authorized Honeywell representative for product warranty information.