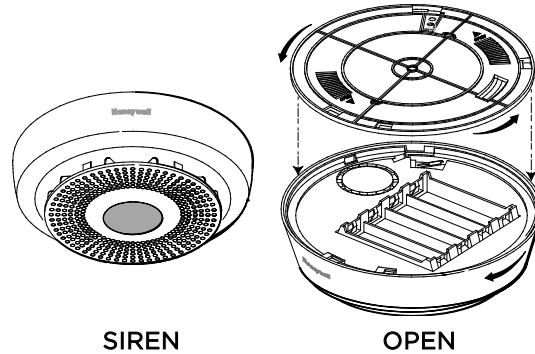


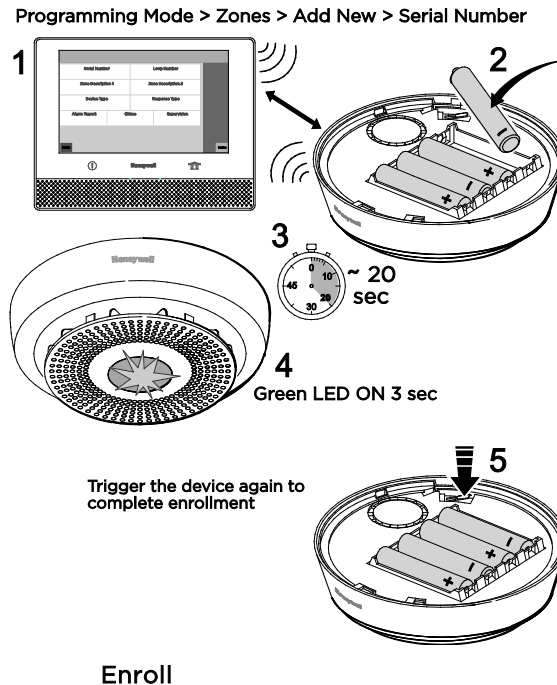
This wireless siren/strobe is intended for use with Honeywell controls that support SiX™ series devices.



### LEDS and SOUNDERS

- = ON
- = Slow Flash
- = Rapid Flash
- = Strobe Flash
- R** = Red
- G** = Green
- W** = White
- = Chirp
- = Burglary Warble

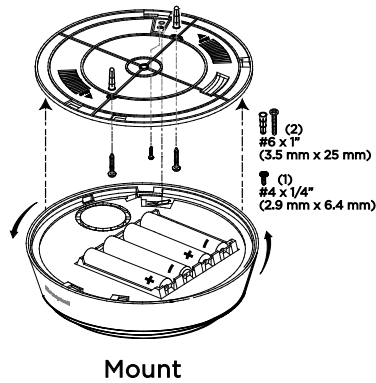
**NOTE:** Once enrolled, the device cannot be used with another system until it is removed from the current controller. See the controller's instructions,




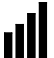



R / W	G / W	Sounder	Status
	12 sec ON 3 sec		Power Up - Enrollment
	3 sec		Power Up - Device enrolled
	20 sec		System is Disarmed
20 sec			System is Armed
/		3 sec	Smoke or CO Alarm
		3 sec	Burglary Alarm
1 x every 45 sec		<sup>1</sup>	Low Battery
	10 min		Tamper Activated

<sup>1</sup> Starts chirping after 7 days, continues until the batteries are replaced or die.

**NOTE:** After enrolling and before mounting permanently, conduct Go/No Go tests (see controller's instructions) to verify adequate signal strength. Adjust the device location and orientation as necessary.



Consult the Controller's instructions to program the Siren Services: Siren Chime mode sound level; Tamper, and Temperature Sensing.

	
35dB <sup>1</sup>	
55dB	
85dB <sup>2</sup>	

<sup>1</sup> Factory default / Valeurs par défaut du fabricant / Defecto de fábrica / Padrão de fábrica

<sup>2</sup> Life Safety

### Program

#### Approval Listings:

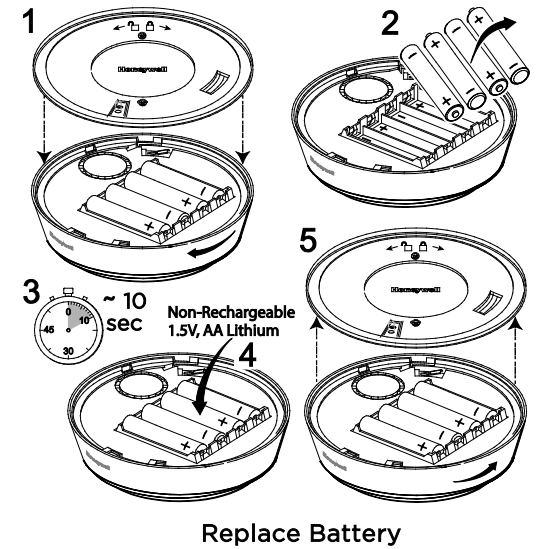
FCC / IC  
ETL Listed to UL985 / UL1023  
cETL Listed to ULC-S545 &  
ULC/ORD-C1023  
RoHS

#### Specifications:

**Range:** 0' - 25' / 0 - 7.6m; Selectable  
**RF Frequency:** 2.4GHz  
**Batteries:** 4 x 1.5V, AA Lithium; Honeywell 462  
**Tamper:** Cover and Wall  
**Operating Temperature:** 32° - 122° F / 0° - 50° C (Agency Compliance 32° - 120° F / 0° - 49° C)  
**Relative Humidity:** 95% max. (Agency Compliance - 93% max.), non-condensing  
**Dimensions:** 3.78" Diameter x 1.14" Thick / 96 mm Diameter x 29mm Thick

Product must be tested at least once each year / Le fonctionnement du produit doit être vérifié au moins une fois par année / El producto debe ser probado al menos una vez al año / O produto deve ser testado pelo menos uma vez por ano

**BATTERY CAUTION:** Risk of fire, explosion and burns. Do not recharge, disassemble, heat above 212° F (100° C) or incinerate. Dispose of used batteries properly. Keep away from children.



Support / Support / Support / Support

<https://mywebtech.honeywell.com/>

U.S. warranty / U.S. warranty / U.S. garantie / U.S. garantia

[www.honeywell.com/security/hsc/resources/wa](http://www.honeywell.com/security/hsc/resources/wa)



#### FEDERAL COMMUNICATIONS COMMISSION & INDUSTRY CANADA STATEMENTS

The user shall not make any changes or modifications to the equipment unless authorized by the Installation Instructions or User's Manual. Unauthorized changes or modifications could void the user's authority to operate the equipment.

#### FCC / IC STATEMENT

This device complies with Part 15 of the FCC Rules, and RSS-210 of Industry Canada. Operation is subject to the following two conditions: (1) This device may not cause harmful interference, and (2) This device must accept any interference received, including interference that may cause undesired operation.

Cet appareil est conforme à la partie 15 des règles de la FCC & de RSS-210 des Industries Canada. Son fonctionnement est soumis aux conditions suivantes: (1) Cet appareil ne doit pas causer d'interférences nuisibles. (2) Cet appareil doit accepter toute interférence reçue y compris les interférences causant une réception indésirable.

#### RF Exposure

**Warning** - The antenna(s) used for this device must be installed to provide a separation distance of at least 7.8 inches (20 cm) from all persons and must not be co-located or operating in conjunction with any other antenna or transmitter except in accordance with FCC multi-transmitter product procedures.

#### Mise en Garde

**Exposition aux Fréquences Radio:** L'antenne (s) utilisée pour cet émetteur doit être installée à une distance de séparation d'au moins 7,8 pouces (20 cm) de toutes les personnes.

REFER TO THE INSTALLATION INSTRUCTIONS FOR THE CONTROL WITH WHICH THIS DEVICE IS USED, FOR DETAILS REGARDING LIMITATIONS OF THE ENTIRE ALARM SYSTEM.

