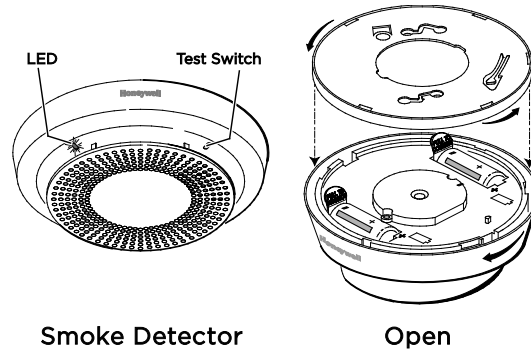


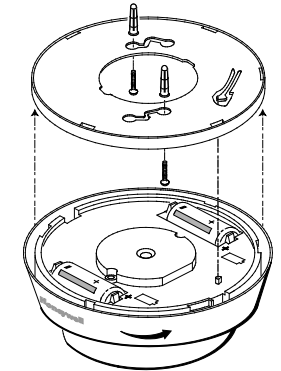
This wireless heat / smoke detector is intended for use with Honeywell controls that support SiX™ series devices.



Smoke Detector

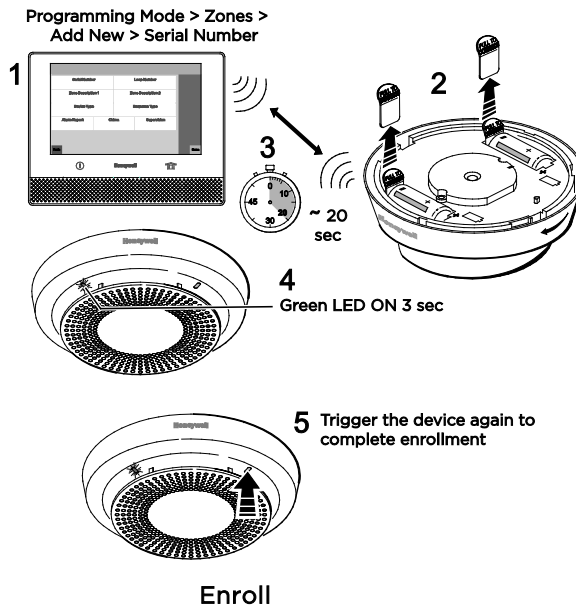
Open

NOTE: After enrolling and before mounting permanently, conduct Go/No Go tests (see controller's instructions) to verify adequate signal strength. Adjust the device location and orientation as necessary.



Mount

NOTE: Once enrolled, the device cannot be used with another system until it is removed from the current controller. See the controller's instructions.



Programming Mode > Zones >
Add New > Serial Number

1

2

3

~ 20
sec

4

Green LED ON 3 sec

5

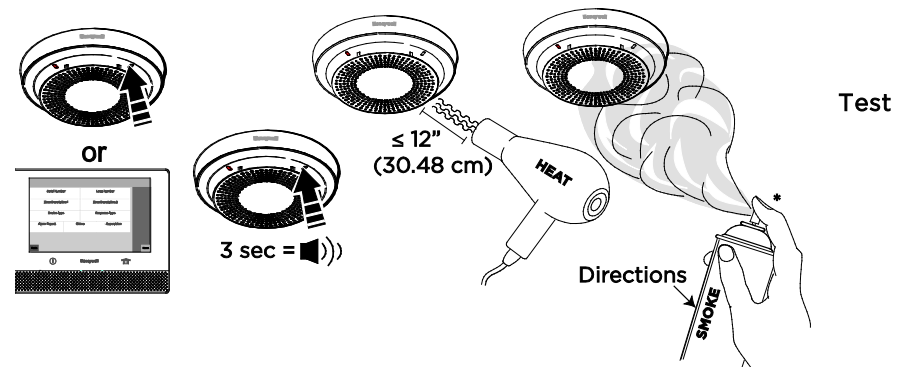
Trigger the device again to
complete enrollment

Enroll

For programming Smoke or Heat alarms and Tamper, see the Controller's instructions.
NOTE: All smoke detectors programmed in the panel to operate in one-go-all-go mode will sound on alarm.

To silence the detector:

Press the test switch or disarm the system at the controller. If the alarm condition continues, the detector is only quiet for 5 minutes. When programmed in one-go-all-go mode, the test switch will not silence the detector.



or

3 sec = 🔊

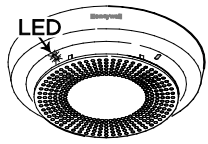
≤ 12"
(30.48 cm)

Directions

Test

*Use UL/ANSI Approved canned smoke.

LEDs and 85dB SOUNDER



○ = ON
 ○ (with X) = Slow Flash
 R = Red
 G = Green

🔊 = Chirp
 🔊) = Temporal Tone

R	G	Sounder	Status
	(G with X) ~20 sec, (G) 3 sec	🔊	Power Up - Enrollment
	(G) 3 sec	🔊	Power Up - Device enrolled
	(G) 1x every 10 sec or (G) (R) Alternate every 10 sec		Normal mode or Communicating with the panel
(R) 1x every 5 sec			Maintenance ¹
(R) 1x every 1 sec		🔊)))	Test Alarm ²
(R) 1x every 4 sec		🔊)))	Heat Alarm ³
(R) 1x every 1 sec		🔊)))	Smoke Alarm
(R) 1x every 45 sec		🔊) ⁴	Low Battery
	(G with X) 10 min		Tamper Activated

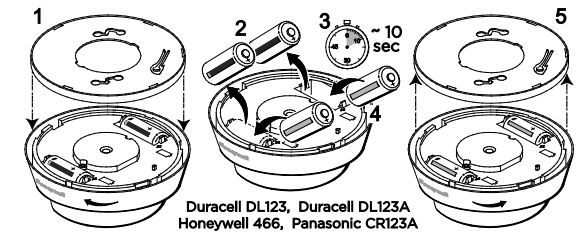
¹ See Maintenance Section

² Test activated by the test switch or from the panel

³ ≥ 135° F / 57° C or Temperature rise of ≥15° F (8.33° C) within 1 minute

⁴ Starts chirping after 7 days, continues until the batteries are replaced or die

BATTERY CAUTION: Risk of fire, explosion and burns. Do not recharge, disassemble, heat above 212° F (100° C) or incinerate. Dispose of used batteries properly. Keep away from children.



Duracell DL123, Duracell DL123A
 Honeywell 466, Panasonic CR123A

Replace Battery

Approval Listings:

FCC / IC
 ETL Listed to UL639
 cETL Listed to ULC S306-03
 RoHS

Specifications:

Range: 0' - 25' / 0 - 7.6m; Selectable
RF Frequency: 2.4GHz
Battery: 2 x 3V, Lithium; Panasonic CR123A, Duracell DL 123, Duracell DL 123A, Honeywell 466
Tamper: Wall
Operating Temperature: 32° - 95° F / 0° - 35° C
Relative Humidity: 95% max. (Agency Compliance - 93% max.), non-condensing
Dimensions: 3.78" Diameter x 1.14" Thick / 96 mm Diameter x 29mm Thick

Product must be tested at least once each year / Le fonctionnement du produit doit être vérifié au moins une fois par année / El producto debe ser probado al menos una vez al año / O produto deve ser testado pelo menos uma vez por ano

Support

<https://mywebtech.honeywell.com/>

U.S. warranty / U.S. warranty / U.S. garantie / U.S. garantia

www.honeywell.com/security/hsc/resources/wa



FEDERAL COMMUNICATIONS COMMISSION & INDUSTRY CANADA STATEMENTS

The user shall not make any changes or modifications to the equipment unless authorized by the Installation Instructions or User's Manual. Unauthorized changes or modifications could void the user's authority to operate the equipment.

FCC / IC STATEMENT This device complies with Part 15 of the FCC Rules, and RSS-210 of Industry Canada. Operation is subject to the following two conditions: (1) This device may not cause harmful interference, and (2) This device must accept any interference received, including interference that may cause undesired operation.

Cet appareil est conforme à la partie 15 des règles de la FCC & de RSS-210 des Industries Canada. Son fonctionnement est soumis aux conditions suivantes: (1) Cet appareil ne doit pas causer d'interférences nuisibles. (2) Cet appareil doit accepter toute interférence reçue y compris les interférences causant une réception indésirable.

RF Exposure Warning - The antenna(s) used for this device must be installed to provide a separation distance of at least 7.8 inches (20 cm) from all persons and must not be co-located or operating in conjunction with any other antenna or transmitter except in accordance with FCC multi-transmitter product procedures.

Mise en Garde Exposition aux Fréquences Radio: L'antenne (s) utilisée pour cet émetteur doit être installée à une distance de séparation d'au moins 7,8 pouces (20 cm) de toutes les personnes.

REFER TO THE INSTALLATION INSTRUCTIONS FOR THE CONTROL WITH WHICH THIS DEVICE IS USED, FOR DETAILS REGARDING LIMITATIONS OF THE ENTIRE ALARM SYSTEM.

