

## General Information

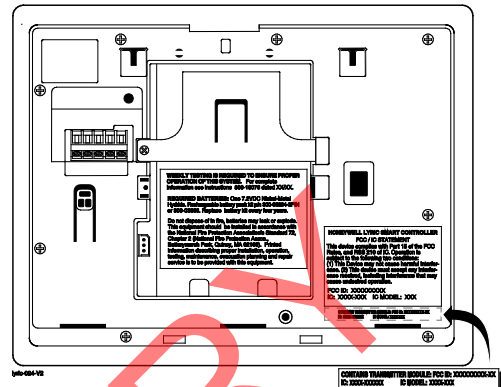
The Lyric-LTE series Communication Modules allow the Lyric Controller to communicate with the Central Station via the cellular radio network. The Lyric-LTE series includes the following models:

- LYRICLTE-V (US, Verizon network)
- LYRICLTE-A (US, AT&T network)
- LYRICLTE-C (Canada)

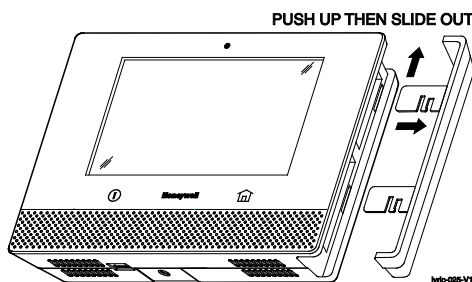
**FIRST TIME INSTALLATION NOTE:** Before performing the first time installation of the communication module, make sure power (both AC and battery) is removed from the controller and follow the **Installing the Module (First Time Installation)** steps.

## Installing the Module (First Time Installation)

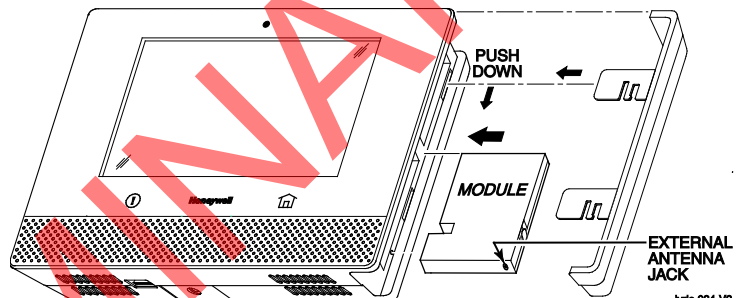
1. Install the provided FCC/IC label on the control's case back.  
LYRICLTE-A & LYRICLTE-C: 800-22830  
LYRICLTE-V: 800-22830-1
2. Remove bezel from right-hand side of control to expose the communication module slot. To remove the bezel, push upward then slide it out.
3. Insert the module into the slot. Push firmly to mate the edge connector.
4. Replace the bezel.
5. After all other connections are made, power up the controller.
6. Program and register the module during the controller's initial association with its AlarmNet 360™ account. Refer to the controller's Programming Guide for details.



Typical FCC/IC Label Location



Removing the Bezel



Installing the communicator Module

7. Check the signal strength before permanently locating the Lyric Controller. See Checking Signal Strength section.
8. Test the communication paths.

**Master User:** Security - Tools - [Master code] - Advanced - Comm. Test

**Installer:** Security - Tools - [installer code] - Program - Comm. Diagnostics - [✓] - Test Communication

Press **Send Cellular Message**. Wait for "Ack Received" message.

Press **Send Ethernet Message**. Wait for "Ack Received" message.

"Ack Received" indicates successful communication.

If acknowledgement is not received, try one of the following:

- a. Use an external antenna (see Using an External Antenna section).
- b. Replace the radio with an alternate technology radio (ex., try 3G or CDMA).
- c. Set the communication path to Wi-Fi-only.

## Checking Signal Strength

When choosing a suitable mounting location, check the communicator's signal strength to ensure proper operation. For most installations, using the module's internal antenna, mounting the Lyric controller as high as practical, and avoiding large metal components provides adequate signal strength.

Use the Lyric Controller "Cellular Information" screen to display signal strength (in number of bars):

**Security - Tools - [installer code] - Program - Comm. Diagnostics - Cellular Information**

Compare the signal strength number of bars displayed to the Signal Strength Guide values at right to ensure adequate signal strength.

If using AlarmNet 360, check that the display is minimum 2 bars.

If necessary, relocate the Controller to obtain better signal strength (press **Cellular Information** again to refresh the reading).

If adequate signal strength cannot be achieved, an external antenna should be used. See **Using an External Antenna** section on the other side.

### Signal Strength Guide

**Panel display signal strength:** range of 1-5bars; should be minimum 2 bars

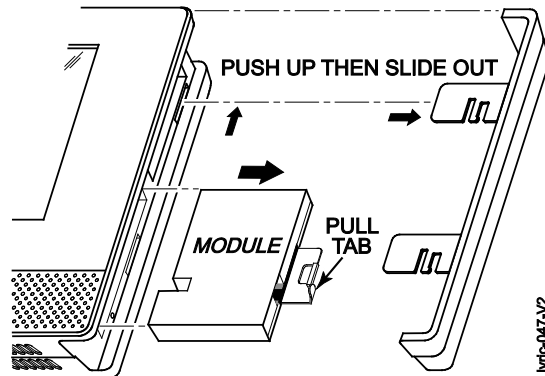
**AlarmNet 360 Display:**  Must be minimum 2 bars lit.

## Communication Module Replacement

This procedure is intended only for replacement of existing communication modules previously installed and registered in the Controller.

In the event the communication module needs to be replaced, the Lyric Controller must first be put in module replacement mode ("Install Cellular Module") to avoid causing a tamper alarm or damaging the module. Module replacement mode deactivates tamper protection and removes power from the module connector for about 15 minutes.

- Select the **Install Cellular Module** button.  
**Master User:** Security -Tools - [master code] - Advanced - Install Cellular Module  
**Installer:** Security - Tools - [installer code] - Test - Install Cellular Module
  - Select **Yes** at the prompt to continue.
  - A popup window displays steps for module replacement. Keep this window open until replacement is completed
- Remove the side bezel. See diagram at right.
- Remove the communication module from its connection slot by using the pull tab.
- Insert the new module into the slot. Push firmly to mate the edge connector.
- Replace the bezel.
- When installation is complete, press **OK** at the replacement steps window. Confirmation of proper installation appears. Press **OK** to exit.
- Test the communication path. See step 8 in Installing the Module section.



Replacing the Module

## Using an External Antenna

### IMPORTANT NOTE ABOUT EXTERNAL ANTENNAS

If an external cellular radio antenna is used, the antenna may be installed or replaced **ONLY** by a professional installer.

### TO THE INSTALLER - Lyric-LTE Series

This device is to be used in mobile or fixed applications only. For mobile and fixed operating configurations the antenna gain, including cable loss, must not exceed 3.25 dBi (US) or 0.6 dBi (CA) in the 850 MHz band, 5.5 dBi in the 1700 MHz band, and 2.5 dBi in the 1900 MHz band for satisfying RF exposure compliance. Under no conditions may an antenna gain be used that would exceed the ERP and EIRP power limits as specified in Parts 22H and 24E and 27.

### RF EXPOSURE WARNING

The antenna(s) used for this transmitter must be installed to provide a separation distance of at least 7.8 in (20 cm) from all persons and must not be co-located or operated in conjunction with any other transmitter except in accordance with FCC multi-transmitter product procedures.

### Mise en Garde

**Exposition aux Fréquences Radio:** L'antenne (s) utilisée pour cet émetteur doit être installée à une distance de séparation d'au moins 7,8 pouces (20 cm) de toutes les personnes.

If adequate signal strength cannot be achieved with the internal antenna, an external antenna can be employed. A kit with an internal adapter cable, clamp and bracket will be required and is available. A connection diagram is provided in the kit which shows how to connect a typical antenna to the device.

### SUPPORT & WARRANTY

For the latest documentation and online support information, please go to: <https://mywebtech.honeywell.com/>  
 For the latest warranty information, please go to: [www.honeywell.com/security/hsc/resources/wa](http://www.honeywell.com/security/hsc/resources/wa).  
 For patent information, see [www.honeywell.com/patents](http://www.honeywell.com/patents)

## Specifications

**Dimensions:** ... 2-5/8"W x 3-1/8"L x 1/2"D

**Voltage Input** ..5V (provided by the controller)

### Current

LyricLTE-A / LyricLTE-C:  
 Idle.....45mA, standby  
 Transmit max. ...245mA RMS

LyricLTE-V:  
 Idle.....45mA, standby  
 Transmit max. ...245mA RMS

### Environmental

Operating temperature: -20°C to +55°C,  
 (for compliance agency: 0°C to +49°C)  
 Storage temperature: -40° to +70°C  
 Humidity: 0 to 95% relative humidity, non-condensing  
 (for compliance agency 0% to 85%)

### Lyric LTE series Frequency Bands

**LyricLTE-V:**  
 PLS8-V  
 LTE: Triple band, 700 (Bd13) / AWS (Bd4) / 1900MHz (Bd2)

**LyricLTE-A, LyricLTE-C:**  
 GSM/GPRS/EDGE: Quad band, 850/900/1800/1900MHz  
 UMTS/HSPA+: Triple band, 850 (BdV) / AWS (BdIV) / 1900MHz (BdII)  
 LTE: Quad band, 700 (Bd17) / 850 (Bd5) / AWS (Bd4) / 1900MHz (Bd2)

CABLE KIT: 100-05310

### FEDERAL COMMUNICATIONS COMMISSION (FCC) & INDUSTRY CANADA (IC) STATEMENTS

The user shall not make any changes or modifications to the equipment unless authorized by the Installation Instructions or User's Manual. Unauthorized changes or modifications could void the user's authority to operate the equipment.

### FCC / IC STATEMENT

This device complies with Part 15 of the FCC Rules, and RSS-210 of IC. Operation is subject to the following two conditions: (1) This device may not cause harmful interference (2) This device must accept any interference received, including interference that may cause undesired operation.

Cet appareil est conforme à la partie 15 des règles de la FCC & de RSS-210 des Industries Canada. Son fonctionnement est soumis aux conditions suivantes: (1) Cet appareil ne doit pas causer d'interférences nuisibles. (2) Cet appareil doit accepter toute interférence reçue y compris les interférences causant une réception indésirable.



800-21995 3/17 Rev. B

**Honeywell**

2 Corporate Center Drive, Suite 100  
 P.O. Box 9040, Melville, NY 11747  
 Copyright © 2016 Honeywell International Inc.  
[www.honeywell.com/security](http://www.honeywell.com/security)