

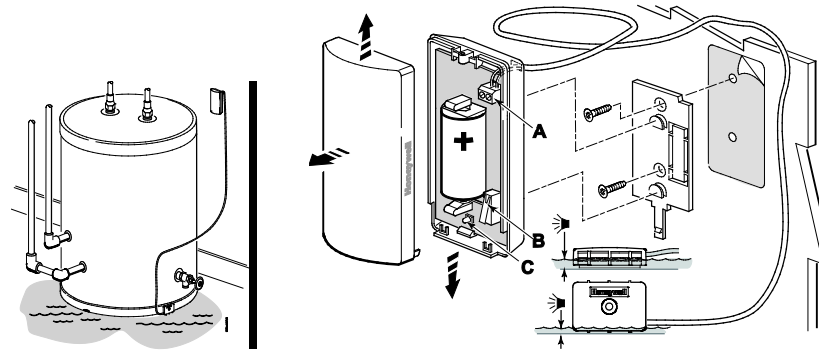
The SiXFLOOD is a wireless flood sensor with external probe (FP280) intended for use with Honeywell controls that support SiX™ series devices. The sensor sends an alarm or trouble signal (depending on zone type selected; ex. Monitor Zone or 24hr Aux) when the probe contacts water. The sensor also features a cover tamper switch.

Ceci est un détecteur de porte / fenêtre sans fil à deux zones avec couvercle et mural interrupteurs anti-sabotage. Il est conçu pour être utilisé avec les panneaux de commande Honeywell qui supportent les dispositifs de la série SiX^{MC}.

Este es un sensor de puerta / ventana inalámbrico de dos zonas con tampo de cubierta y pared. Diseñado para usarse con los controles Honeywell compatibles con los dispositivos de la serie SiX™.

Este é um sensor de porta / janela sem fio de duas zonas com tampa e tampo de parede. Deve ser usado com painéis de alarme Honeywell compatíveis com dispositivos da série SiX™.

- A Terminal Block
 - B Tamper
 - C LED
- A Bornier
 - B Antisabotage
 - C DEL



- A Bloque de terminales
 - B Manipulación
 - C LED
- A Bloco terminal
 - B Tamper
 - C LED

After enrolling, verify adequate signal strength by conducting Go/No Go tests (see the controller's instructions) with the device in its intended mounting location. Adjust the device location and orientation as necessary.

Signal Strength: Range of 1-4 bars (green); Should be minimum 1 green bar for the zone being programmed.

Once enrolled, the device cannot be used with another system until it is removed from the current controller. See the controller's instructions.

NOTE: After mounting you can use the *Sensor Location* feature to confirm device location. In programming mode, select a zone and the respective sensor LED lights.

Après l'enrôlement, vérifiez la puissance du signal adéquate en effectuant des tests Go / No Go (voir les instructions du panneau de commande) avec le dispositif dans son emplacement de montage prévu. Au besoin, modifiez l'emplacement ou l'orientation du dispositif.

Force du signal: devrait avoir au minimum 1 barre verte pour la zone programmée.

Une fois enrôlé, le dispositif ne peut pas être utilisé avec un autre système avant d'avoir été supprimé du panneau actuel. Reportez-vous aux instructions du panneau.

NOTE : Après le montage, vous pouvez utiliser la *fonction d'emplacement du détecteur* pour confirmer l'emplacement du détecteur. En mode programmation, sélectionnez une zone et le voyant du capteur respectif s'allume.

For Lyric™ Controller / Pour le contrôleur Lyric^{MC} / Para el Controlador Lyric™ / Para o Controlador Lyric^{MC}

Security > Tools > [installer code] > Program > (scroll down) > SiX Programming
Sécurité > Outils > [code installateur] > Program. > (défiler vers le bas) > Programmation SiX
Segdd > Hrrmts > [código de instalador] > Programar > (desplazarse hacia abajo) >

Programação SiX
Segurân. > Ferramentas > [código de instalação] > Programa > (rolar para baixo) >

Una vez registrado, verifique la intensidad de señal adecuada realizando pruebas Go / No Go (ver las instrucciones del controlador) con el dispositivo en la ubicación deseada. Ajuste la ubicación y orientación del dispositivo según sea necesario.

Intensidad de la señal: Rango de 1-4 barras (verde); Debe ser mínimo 1 barra verde para la zona que se está programando.

Una vez registrado, el dispositivo no se puede usar con otro sistema hasta que sea removido del controlador actual. Ver las instrucciones del controlador.

NOTA : Después de montar el sensor, puede utilizar *la pantalla de localización de sensores* para confirmar la ubicación del dispositivo. En el modo de programación, seleccione una zona y el respectivo LED de sensor se encenderá.

Após o registro, verifique a intensidade do sinal adequado ao realizar testes Go / No Go (consulte as instruções do controlador) com o dispositivo na localização de montagem pretendida. Ajuste, se necessário, o posicionamento e a orientação do dispositivo.

Força do Sinal: intervalo de 1-4 barras (verde); deve ter, no mínimo, uma barra verde para a zona em programação.

Uma vez registrado, o dispositivo não pode ser usado com outro sistema até que seja removido do controlador atual. Consulte as instruções do controlador.

NOTA: Após a montagem, você pode usar o *recurso Sensor Location* para confirmar a localização do dispositivo. No modo de programação, selecione uma zona e a luz LED do respectivo sensor acenderá.

Enroll / Enrôlement / Enrolar / Registrar

For Lyric™ Gateway
Enroll and program using AlarmNet 360™.

Pour la Gateway Lyric^{MC}
Enrôlez et programmez le système au moyen d'AlarmNet 360^{MC}

Para Lyric™ Gateway
Registro y programación usando AlarmNet 360™

Para o Gateway Lyric™
Faça o registro e programe usando o

BATTERY CAUTION: Risk of fire, explosion and burns. Do not recharge, disassemble, heat above 212°F (100°C) or incinerate. Dispose of used batteries properly. Keep away from children.

NOTE: Constant exposure to high or low temperature or high humidity may reduce battery life.

Attention de batterie: Risque d'incendie, d'explosion et de brûlures. Ne rechargez pas, démontez, chauffez au-dessus de 212°F (100°C), ou incinérer. Débarrassez-vous des batteries utilisées de façon appropriée. Gardez à partir des enfants.

NOTE : Une exposition constante à des températures élevées ou basses ou à un taux d'humidité élevée peut réduire la durée de vie de la pile.

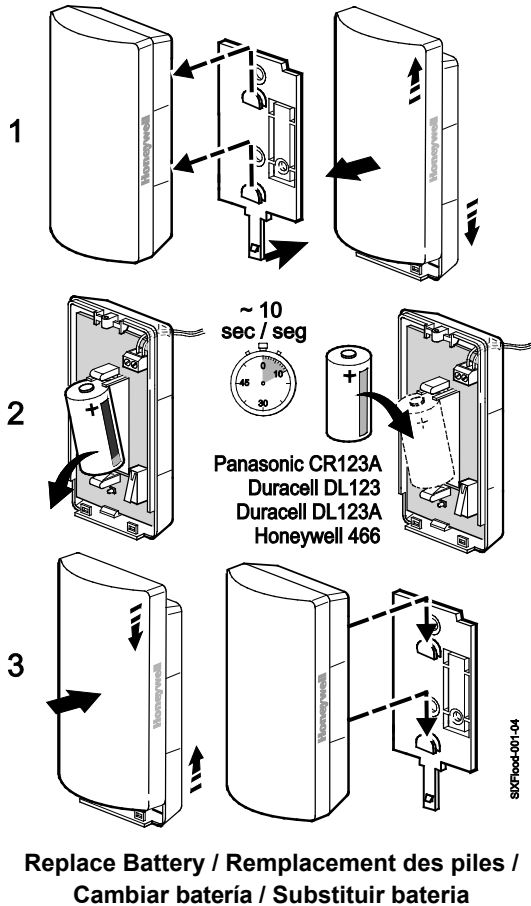
Precauciones con respecto a las baterías: Riesgo de FUEGO, explosión y quemaduras. No recargar, desarmar, calentar por encima de 100°C (212°F), o incinerar. Descarte Apropriadamente las baterías usadas. Manténgalas fuera del alcance de los niños.

NOTA: Exposición constante a altas o bajas temperaturas o alta humedad puede reducir la vida útil de la batería.

AlarmNet 360™.

Precauções com a bateria: Risco de incêndio, explosão e queimaduras. Não recarregar, não desmontar, não aquecer mais de 100°C (212°F) nem incinerar. Descarte as baterias usadas apropriadamente. Mantenha fora do alcance de crianças.

NOTA: A exposição constante a temperatura alta ou baixa ou alta umidade podem reduzir a vida útil da bateria



FEDERAL COMMUNICATIONS COMMISSION & INDUSTRY CANADA STATEMENTS

The user shall not make any changes or modifications to the equipment unless authorized by the Installation Instructions or User's Manual. Unauthorized changes or modifications could void the user's authority to operate the equipment.

CLASS B DIGITAL DEVICE STATEMENT This equipment has been tested to FCC requirements and has been found acceptable for use. The FCC requires the following statement for your information: This equipment generates and uses radio frequency energy and if not installed and used properly, that is, in strict accordance with the manufacturer's instructions, may cause interference to radio and television reception. It has been type tested and found to comply with the limits for a Class B computing device in accordance with the specifications in Part 15 of FCC Rules, which are designed to provide reasonable protection against such interference in a residential installation. However, there is no guarantee that interference will not occur in a particular installation. If this equipment does cause interference to radio or television reception, which can be determined by turning the equipment off and on, the user is encouraged to try to correct the interference by one or more of the following measures:

- If using an indoor antenna, have a quality outdoor antenna installed.
- Reorient the receiving antenna until interference is reduced or eliminated.
- Move the radio or television receiver away from the receiver/control.
- Move the antenna leads away from any wire runs to the receiver/control.
- Plug the receiver/control into a different outlet so that it and the radio or television receiver are on different branch circuits.
- Consult the dealer or an experienced radio/TV technician for help.

INDUSTRY CANADA CLASS B STATEMENT

This Class B digital apparatus complies with Canadian ICES-003.
Cet appareil numérique de la classe B est conforme à la norme NMB-003 du Canada.

FCC / IC STATEMENT

This device complies with Part 15 of the FCC Rules, and Industry Canada's license-exempt RSSs. Operation is subject to the following two conditions: (1) This device may not cause harmful interference, and (2) This device must accept any interference received, including interference that may cause undesired operation.
Cet appareil est conforme à la partie 15 des règles de la FCC et exempt de licence RSS d'Industrie Canada. Son fonctionnement est soumis aux conditions suivantes: (1) Cet appareil ne doit pas causer d'interférences nuisibles. (2) Cet appareil doit accepter toute interférence reçue y compris les interférences causant une réception indésirable.

RF EXPOSURE Warning – The antenna(s) used for this transmitter must be installed to provide a separation distance of at least 7.8 in (20 cm) from all persons and must not be co-located or operated in conjunction with any other transmitter except in accordance with FCC and ISED multi-transmitter product procedures.

Mise en Garde Exposition aux Fréquences Radio: La/les antenne(s) utilisée(s) pour cet émetteur doit/doivent être installée(s) à une distance de séparation d'au moins 20 cm (7,8 pouces) de toute personne et ne pas être située(s) ni fonctionner parallèlement à tout autre transmetteur ou antenne, excepté en conformité avec les procédures de produit multi transmetteur FCC et ISED.

DECLARACIÓN IFETEL

La operación de este equipo está sujeta a las siguientes dos condiciones
1. Es posible que este equipo o dispositivo no cause interferencia perjudicial y
2. Este equipo debe aceptar cualquier interferencia, incluyendo la que pueda causar su operación no deseada.

DECLARAÇÃO ANATEL

Este equipamento não tem direito à proteção contra interferência prejudicial e não pode causar interferência em sistemas devidamente autorizados. Para maiores informações, consulte o site da ANATEL www.anatel.gov.br.



Support / Soutien / Soporte / Suporte

<https://mywebtech.honeywell.com/>

U.S. warranty / U.S. garantie / U.S. garantie / U.S. garantia

www.honeywell.com/security/hsc/resources/wa

Patents / Brevets / Patentes / Patentes

www.honeywell.com/patents



MyWebTech



Warranty



Patents

Approval Listings / Approbations Homologations / Listas de aprobações / Listagens de aprovação:

FCC / IC
ETL Listed to UL 634
cETL Listed to ULC/ORD-C634

Other Standards:
RoHS

Specifications / Spécifications / Especificaciones / Especificações:

Battery / Pile / Bateria / Bateria: 1 x 3V, Lithium; Honeywell 466, Panasonic CR123A, Duracell DL123A, Huiderei CR123A

Tamper / Interrupteurs antisabotage / Manipulación / Tamper: Cover / Couvercle / Tapa / Tampa

RF Frequency / Fréquence RF / Frecuencia de RF / Frequência RF: 2.4GHz

Operating Temperature / Température de fonctionnement / Temperatura de funcionamento / Temperatura de operação: 32° – 122°F / 0° – 50°C (Agency Compliance 32° – 120°F / 0° – 49°C)

Relative Humidity / Humidité relative / Humedad relativa / Umidade relativa: 95% max. (Agency Compliance - 93% max.), non-condensing / sans condensation / sin-condensación / sem condensação

Dimensions / Dimensions / Dimensiones / Dimensões: 1" H x 3.13" L x 1.61" W / 25.5 mm H x 79.5 mm L x 41 mm W

REFER TO THE INSTALLATION INSTRUCTIONS FOR THE CONTROL WITH WHICH THIS DEVICE IS USED, FOR DETAILS REGARDING LIMITATIONS OF THE ENTIRE ALARM SYSTEM.

Product must be tested at least once each year

POUR LES LIMITES DU SYSTÈME D'ALARME AU COMPLET, REPORTEZ-VOUS AU GUIDE D'INSTALLATION DU PANNEAU DE COMMANDE.

Le fonctionnement du produit doit être vérifié au moins une fois par année

CONSULTE LAS INSTRUCCIONES DE INSTALACIÓN PARA EL CONTROLADOR CON EL CUAL SE UTILIZA ESTE DISPOSITIVO, PARA OBTENER DETALLES CON RESPECTO A LAS LIMITACIONES DE TODO EL SISTEMA DE ALARMA.

El producto debe ser probado al menos una vez al año

PARA SABER MAIS SOBRE AS LIMITAÇÕES DE TODO O SISTEMA DE ALARME, CONSULTE AS INSTRUÇÕES DE INSTALAÇÃO DO CONTROLE COM O QUAL ESTE DISPOSITIVO É USADO.

O produto deve ser testado pelo menos uma vez por ano

