

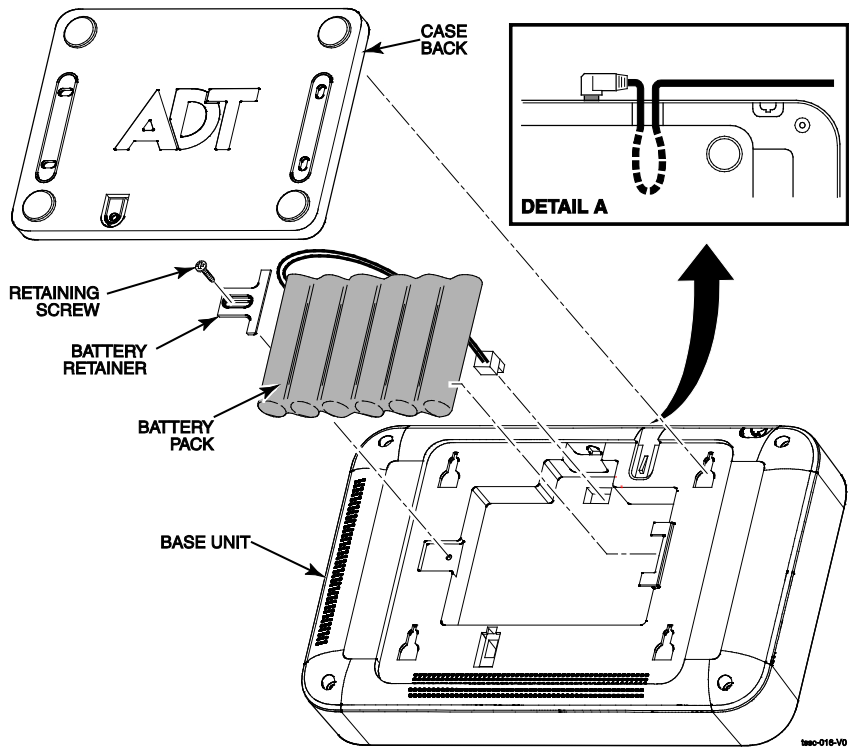
TSSC Installation and Setup Guide

STEP 1 - Installing the Base Rechargeable Backup Battery and Power Connector

1. Remove the Base Case Back.
2. Connect the battery connector to the receptacle on the PC board.
3. Insert the Battery Pack into the case.
4. Secure the Battery Pack with the Battery Retainer using the Retaining Screw.
5. Connect the power pack into the power receptacle, looping the power cord as shown in Detail A.

NOTE: If using the optional wall mount configuration, skip to the Base wall mounting procedure. If not, complete step 6.

NOTE: Do not apply power at this time.

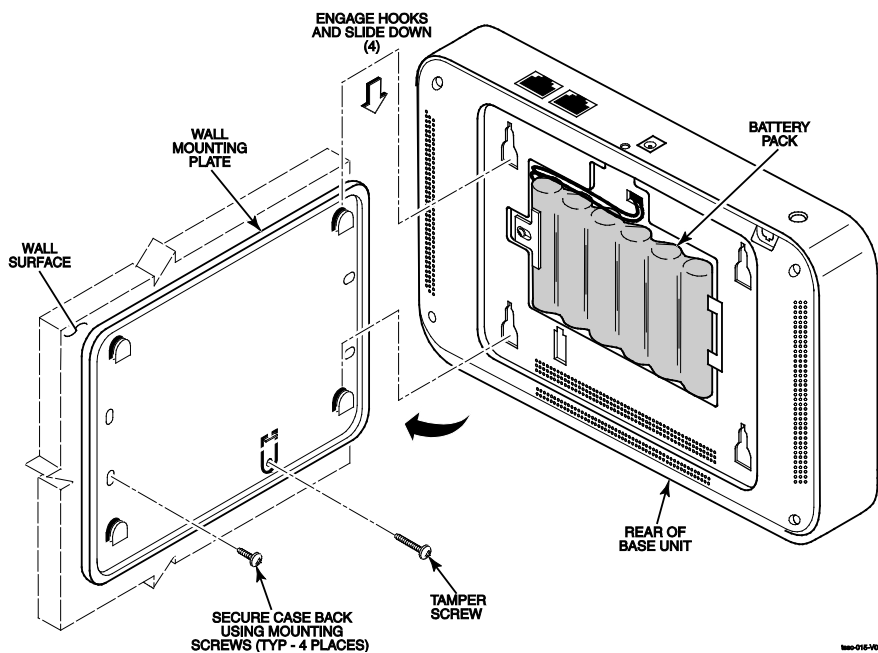


Mounting the Base to a Wall (Optional)

To mount the Base to a wall, perform the following:

IMPORTANT: Record the ACTIVATION KEY number, MAC Address, CRC number and WPA2 number located on case back prior to wall mounting.

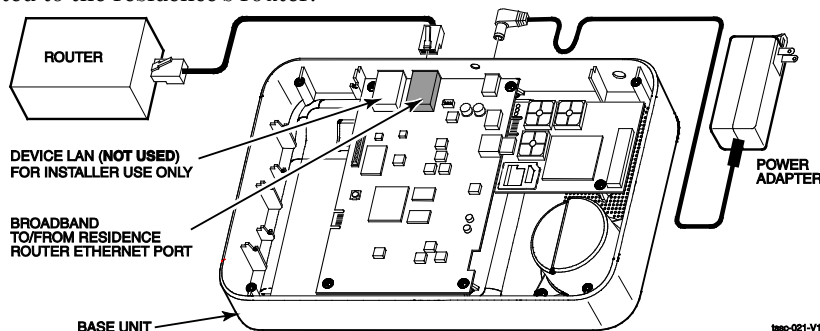
1. Complete steps 1 through 5 of the Installing the Base Rechargeable Backup Battery and Power Connector paragraph
2. Secure the Mounting Plate to the wall and secure with 4 screws.
3. Install the Tamper Screw as shown.
4. Secure the Base to the Mounting Plate by aligning the slots on the Base and sliding the unit down until locked in position.



STEP 2 - Setting up the Communication Links

Prior to power up of the Base (when directed in the TSSC Installer App), the Ethernet communications link must be connected to the residence's router. The connection is from an Ethernet port on the router to the "BROADBAND" port on the Base.

IMPORTANT! Under no circumstances should the "DEVICE LAN" port ever be connected to the residence's router.



STEP 3 - Keypad Mounting

The keypad is designed to be placed on a desk/table top with the stand attached. An optional mounting plate can be used to mount the keypad to the wall.

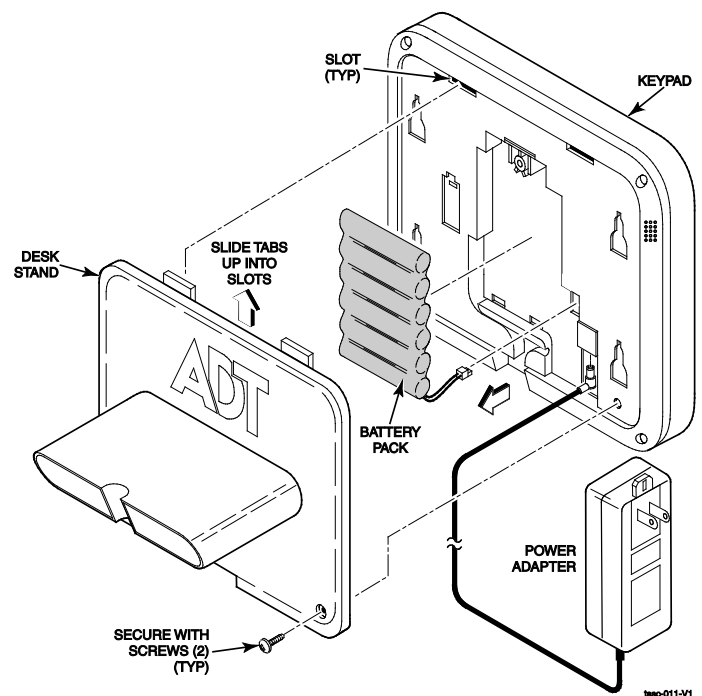
Power Connections

Connect the Power Supply Cable into its connector as shown below and route it from the bottom of the keypad.

IMPORTANT: Do not apply power to the keypad at this time.

Installing Keypad To Desk-Top Stand

1. Place the Keypad face down on a level surface.
2. Connect the battery connector to the receptacle on the PC board.
3. Insert the Battery Pack into the case.
4. Secure the Battery Pack with the Battery Retainer using the Retaining Screw.
5. Install tabs on Desk Stand into appropriate slots as shown and secure with two screws
6. Plug in the power pack to the receptacle.



STEP 4 - Base Registration & Accessing the Installer App

Go to <https://portal.adtpulse.com/activation/access/signin.jsp> and follow the prompts.

Power the Base Unit

When directed in the TSSC Installer App, plug the power pack into the wall receptacle to power the Base. During the first 45 seconds of power initialization, TSSC lights up the CELLULAR, NETWORK and STATUS LEDs one by one slowly in sequence. After the first 45 seconds, the LEDs chase in a rapid sequence for approximately 30 more seconds. The POWER LED is always ON while initialization is being executed. When the LEDs stop chasing and the POWER LED is lit green, the Base is powered up and ready for the registration process to begin.

- NOTES:**
- The BATTERY LED will blink until the battery is fully charged.
 - The NETWORK LED will remain amber until activated.

IMPORTANT: Once the programming procedure has started and the unit is powered up, do not remove power or disconnect the battery, nor open the case. Disconnecting power or activating the tamper switch can cause unpredictable programming results.

POWER DOWN CAUTION: To power down the system, do the following:

1. Clear the alarm memory.
 2. Enter "MASTER CODE + [#] + [*] + 9" at the TSSC Base unit, then wait until the four LEDs to the right of the Power LED turn off **before** removing power.
- IMPORTANT:** Shutting down the Base unit will cancel the sending of any reports to the central station that may be in progress.

Radio Activation

Go to <https://3ps.adt.com> and follow the prompts.

Testing the System

There are three test modes as follows:

Walk Test: user code + 5 + 1 (tests the sensors in the system; see User Guide for details)

Comm Test: user code + 5 + 2 (tests the communication link)

NTP Server Test: user code + 5 + 3 (causes the panel to contact the NTP server to verify that the communication link to the NTP server is valid)

Specifications

Base Unit:

Dimensions:8.5" W x 6" H x 1.875" D
Voltage Input:P/N 300-05763V1: 110 VAC input/9 VDC output 2.5A, 2-prong

24-Hour Backup Battery: ..P/N 300-03866: Rechargeable Backup Battery: Nickel-metal hydride battery pack rated at 7.2 Vdc, 3700mA

Communication:

Formats Supported:4-Digit Contact ID

Keypad:

Dimensions:.....6.69" W x 5.36" H x 0.875" D
Voltage Input:P/N 300-05763V1: 110 VAC input/9 VDC output 2.5A, 2-prong

24-Hour Backup Battery: ..P/N 300-06868: Rechargeable Backup Battery: 7.2V, 6xAAA, 6x600mAH, NiMH



Home Health Care Applications

IMPORTANT: In Home Health Care applications [UL1637] you must use pendant model 5802WXT or 5802WXT-2. The maximum range is 50 ft.

Contacting Technical Support

PLEASE, before you call Technical Support, be sure you: READ THE INSTRUCTIONS!

- Determine that the power supply and/or backup battery are supplying proper voltages.
- Verify your programming information where applicable.
- Note the proper model number of this product, and the version level (if known) along with any documentation that came with the product.
- Note your ADT customer number and/or company name.

Having this information handy will make it easier for us to serve you quickly and effectively.

Technical Support: Contact your ADT Customer Care Representative.

THE LIMITATIONS OF THIS ALARM SYSTEM

While this system is an advanced design security system, it does not offer guaranteed protection against burglary or fire or other emergency. Any alarm system, whether commercial or residential, is subject to compromise or failure for a variety of reasons. For example:

- Intruders may gain access through unprotected openings or have the technical sophistication to bypass an alarm sensor or disconnect an alarm warning device.
- Intrusion detectors (e.g., passive infrared detectors), smoke detectors, and many other sensing devices will not work without power. Battery-operated devices will not work without batteries, with dead batteries, or if the batteries are not put in properly. Devices powered solely by AC will not work if their AC power supply is cut off for any reason, however briefly.
- Signals sent by wireless transmitters may be blocked or reflected by metal before they reach the alarm receiver. Even if the signal path has been recently checked during a weekly test, blockage can occur if a metal object is moved into the path.
- A user may not be able to reach a panic or emergency button quickly enough.
- While smoke detectors have played a key role in reducing residential fire deaths in the United States, they may not activate or provide early warning for a variety of reasons in as many as 35% of all fires, according to data published by the Federal Emergency Management Agency. Some of the reasons smoke detectors used in conjunction with this System may not work are as follows. Smoke detectors may have been improperly installed and positioned. Smoke detectors may not sense fires that start where smoke cannot reach the detectors, such as in chimneys, in walls, or roofs, or on the other side of closed doors. Smoke detectors also may not sense a fire on another level of a residence or building. A second-floor detector, for example, may not sense a first-floor or basement fire. Moreover, smoke detectors have sensing limitations. No smoke detector can sense every kind of fire every time. In general, detectors may not always warn about fires caused by carelessness and safety hazards like smoking in bed, violent explosions, escaping gas, improper storage of flammable materials, overloaded electrical circuits, children playing with matches, or arson. Depending upon the nature of the fire and/or the locations of the smoke detectors, the detector, even if it operates as anticipated, may not provide sufficient warning to allow all occupants to escape in time to prevent injury or death
- Passive Infrared Motion Detectors can only detect intrusion within the designed ranges as diagrammed in their installation manual. Passive Infrared Detectors do not provide volumetric area protection. They do create multiple beams of protection, and intrusion can only be detected in unobstructed areas covered by those beams. They cannot detect motion or intrusion that takes place behind walls, ceilings, floors, closed doors, glass partitions, glass doors, or windows. Mechanical tampering, masking, painting or spraying of any material on the mirrors, windows or any part of the optical system can reduce their detection ability. Passive Infrared Detectors sense changes in temperature; however, as the ambient temperature of protected area approaches the temperature range of 90° to 105°F, the detection performance can decrease.
- Alarm warning devices such as sirens, bells, or horns may not alert people or wake up sleepers if they are located on the other side of closed or partly open doors. If warning devices sound on a different level of the residence from the bedrooms, then they are less likely to waken or alert people inside the bedrooms. Even persons who are awake may not hear the warning if the alarm is muffled from a stereo, radio, air conditioner or other appliance, or by passing traffic. Finally, alarm warning devices, however loud, may not warn hearing-impaired people or waken deep sleepers.
- Telephone lines needed to transmit alarm signals from a premises to a central monitoring station may be out of service or temporarily out of service. Telephone lines are also subject to compromise by sophisticated intruders.
- Even if the system responds to the emergency as intended, however, occupants may have insufficient time to protect themselves from the emergency situation. In the case of a monitored alarm system, authorities may not respond appropriately.
- This equipment, like other electrical devices, is subject to component failure. Even though this equipment is designed to last as long as 10 years, the electronic components could fail at any time.

The most common cause of an alarm system not functioning when an intrusion or fire occurs is inadequate maintenance. This alarm system should be tested weekly to make sure all sensors and transmitters are working properly.

Installing an alarm system may make one eligible for lower insurance rates, but an alarm system is not a substitute for insurance. Homeowners, property owners, and renters should continue to act prudently in protecting themselves and continue to insure their lives and property.

We continue to develop new and improved protection devices. Users of alarm systems owe it to themselves and their loved ones to learn about these developments.

Recommendations For Proper Protection

The Following Recommendations for the Location of Fire and Burglary Detection Devices Help Provide Proper Coverage for the Protected Premises.

Recommendations for Smoke and Heat Detectors

With regard to the number and placement of smoke/heat detectors, we subscribe to the recommendations contained in the National Fire Protection Association's (NFPA) Standard #72 noted below.

Early warning fire detection is best achieved by the installation of fire detection equipment in all rooms and areas of the household as follows: For minimum protection a smoke detector should be installed outside of each separate sleeping area, and on each additional floor of a multi-floor family living unit, including basements. The installation of smoke detectors in kitchens, attics (finished or unfinished), or in garages is not normally recommended.

For additional protection the NFPA recommends that you install heat or smoke detectors in the living room, dining room, bedroom(s), kitchen, hallway(s), attic, furnace room, utility and storage rooms, basements and attached garages.

In addition, we recommend the following:

- Install a smoke detector inside every bedroom where a smoker sleeps.
- Install a smoke detector inside every bedroom where someone sleeps with the door partly or completely closed. Smoke could be blocked by the closed door. Also, an alarm in the hallway outside may not wake up the sleeper if the door is closed.
- Install a smoke detector inside bedrooms where electrical appliances (such as portable heaters, air conditioners or humidifiers) are used.
- Install smoke detectors at both ends if the hallway is more than 40 feet (12 meters) long.
- Install smoke detectors in any room where an alarm control is located, or in any room where alarm control connections to an AC source or phone lines are made. If detectors are not so located, a fire within the room could prevent the control from reporting a fire or an intrusion.

FEDERAL COMMUNICATIONS COMMISSION STATEMENTS

The user shall not make any changes or modifications to the equipment unless authorized by the Installation Instructions or User's Manual. Unauthorized changes or modifications could void the user's authority to operate the equipment.

CLASS B DIGITAL DEVICE STATEMENT

This equipment has been tested to FCC requirements and has been found acceptable for use. The FCC requires the following statement for your information:

This equipment generates and uses radio frequency energy and if not installed and used properly, that is, in strict accordance with the manufacturer's instructions, may cause interference to radio and television reception. It has been type tested and found to comply with the limits for a Class B computing device in accordance with the specifications in Part 15 of FCC Rules, which are designed to provide reasonable protection against such interference in a residential installation. However, there is no guarantee that interference will not occur in a particular installation. If this equipment does cause interference to radio or television reception, which can be determined by turning the equipment off and on, the user is encouraged to try to correct the interference by one or more of the following measures:

- If using an indoor antenna, have a quality outdoor antenna installed.
- Reorient the receiving antenna until interference is reduced or eliminated.
- Move the radio or television receiver away from the receiver/control.
- Move the antenna leads away from any wire runs to the receiver/control.
- Plug the receiver/control into a different outlet so that it and the radio or television receiver are on different branch circuits.
- Consult the dealer or an experienced radio/TV technician for help.

INDUSTRY CANADA CLASS B STATEMENT

This Class B digital apparatus complies with Canadian ICES-003.
Cet appareil numérique de la classe B est conforme à la norme NMB-003 du Canada.

FCC / IC STATEMENT

This device complies with Part 15 of the FCC Rules, and RSS210 of Industry Canada. Operation is subject to the following two conditions: (1) This device may not cause harmful interference, and (2) This device must accept any interference received, including interference that may cause undesired operation.

Cet appareil est conforme à la partie 15 des règles de la FCC & de RSS 210 des Industries Canada. Son fonctionnement est soumis aux conditions suivantes: (1) Cet appareil ne doit pas causer d'interférences nuisibles. (2) Cet appareil doit accepter toute interférence reçue y compris les interférences causant une réception indésirable.

RF Exposure

Warning – The antenna(s) used for this device must be installed to provide a separation distance of at least 7.8 inches (20 cm) from all persons and must not be co-located or operating in conjunction with any other antenna or transmitter except in accordance with FCC multi-transmitter product procedures.

Mise en Garde

Exposition aux Fréquences Radio: L'antenne (s) utilisée pour cet émetteur doit être installée à une distance de séparation d'au moins 7,8 pouces (20 cm) de toutes les personnes.

This Control Complies With NFPA Requirements For Temporal Pulse Sounding Of Fire Notification Appliances

Recommendations for Proper Intrusion Protection

For proper intrusion coverage, sensors should be located at every possible point of entry to a home or premises. This would include any skylights that may be present, and the upper windows in a multi-level building.

In addition, we recommend that radio backup be used in a security system. This will ensure that alarm signals can be sent to the alarm monitoring station in the event that the telephone lines are out of order (alarm signals are normally sent over the phone lines, if connected to an alarm monitoring station).



ADT Security Services, Inc.
1501 Yamato Road
Boca Raton, FL 33431
Copyright © 2013 ADT Security Services

WARRANTY INFORMATION

For the latest warranty information, please visit:
www.honeywell.com/security/hsc/resources/wa