

System Installation Guide



Prestige™ 2-wire IAQ and RF EIM

With wireless accessories

Control for up to 4 Heat/2 Cool heat pump systems or up to 3 Heat/2 Cool conventional systems.

Installation guide for:

- THX9000 Prestige IAQ
- Wireless remote control
- Equipment Interface Module
- Wireless Outdoor Air Sensor

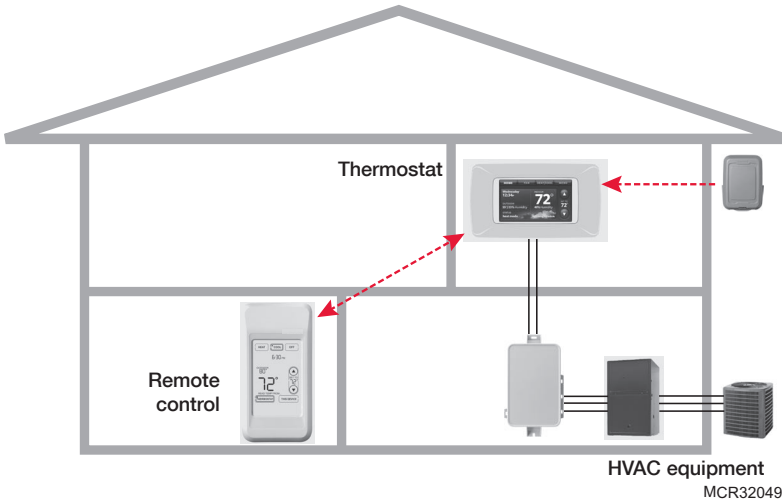
⚠ DISCONNECT POWER BEFORE BEGINNING INSTALLATION. Can cause electrical shock or equipment damage.

⚠ MERCURY NOTICE: If this product is replacing a control that contains mercury in a sealed tube, do not place the old control in the trash. Contact your local waste management authority for instructions regarding recycling and proper disposal.

👤 Must be installed by a trained, experienced technician. Read these instructions carefully. Failure to follow these instructions can damage the product or cause a hazardous condition.



System installation at a glance



Installation procedure

- 1 Mount and wire thermostat Pages 3-7
 - 2 Mount and wire EIM..... Pages 3-7
 - 3 Connect thermostat to EIM Pages 3-7
 - 4 Customize thermostat (installer setup).....Pages 8
 - 5 Install batteries in wireless accessoriesPage 8
 - 6 Link accessories to thermostat..... Pages 9-10
 - 7 Mount outdoor sensorPage 11
- To replace system components if needed, see page 14

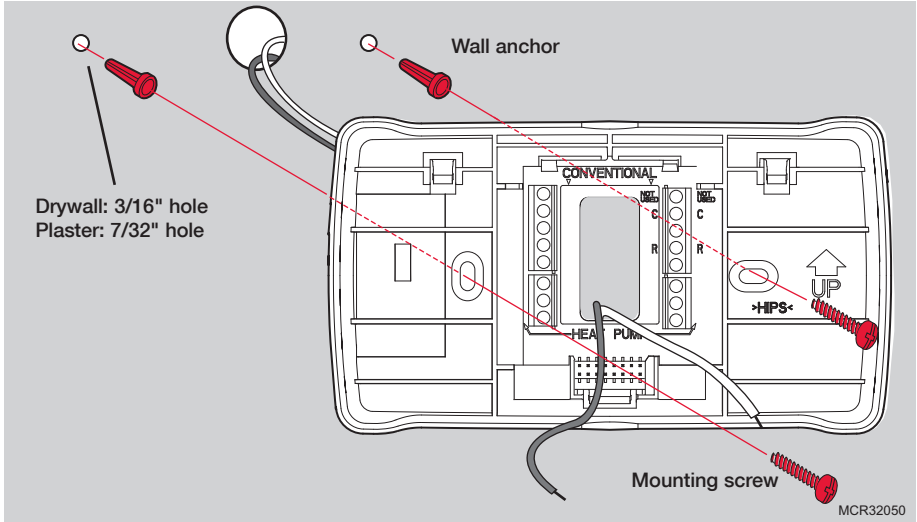
i **If you have more than one thermostat:** Optional accessories must be linked to each thermostat separately.

! **DISCONNECT POWER BEFORE BEGINNING INSTALLATION.** Can cause electrical shock or equipment damage.

1 Mount and wire thermostat

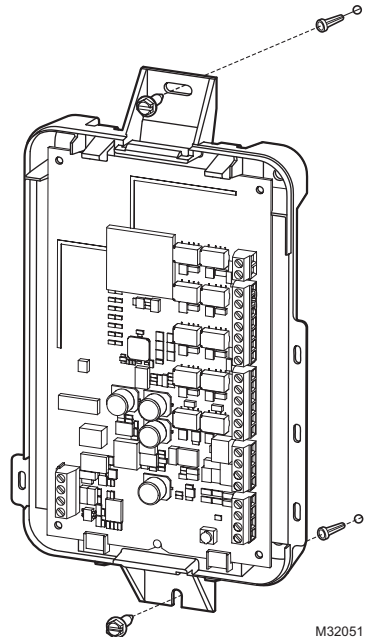
Install as shown below. Connect wires to the R and C terminals on the thermostat.

The other ends of these wires should be connected to the Equipment Interface Module R and C terminals or to a separate 24 volt transformer (not provided).



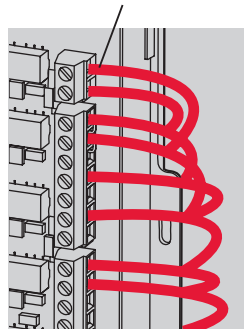
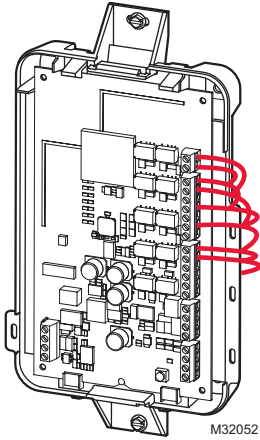
2 Mount and wire Equipment Interface Module

Mount Equipment Interface Module on wall near HVAC equipment, or on the equipment itself. Do not install inside HVAC equipment. Use screws & anchors as appropriate for mounting surface.



Equipment Interface Module wiring

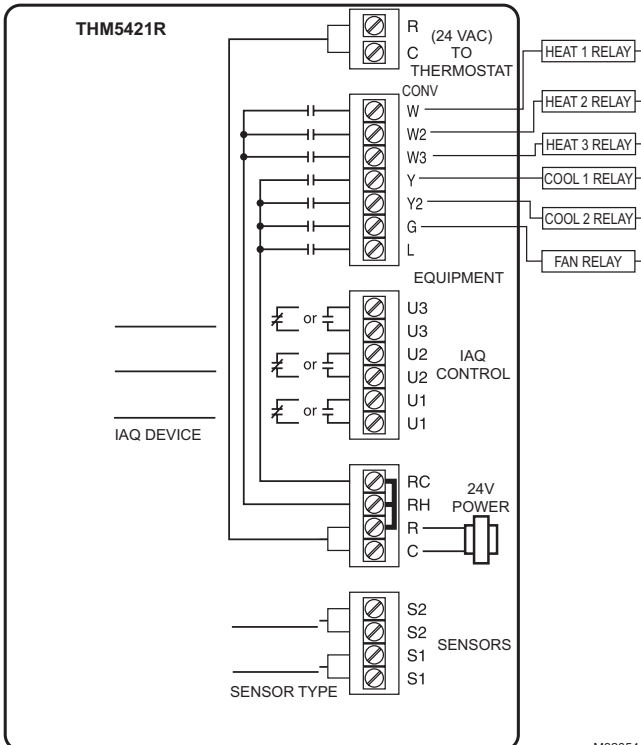
Strip 1/4" insulation, then insert wires as shown.



Wiring must comply with local electrical codes.

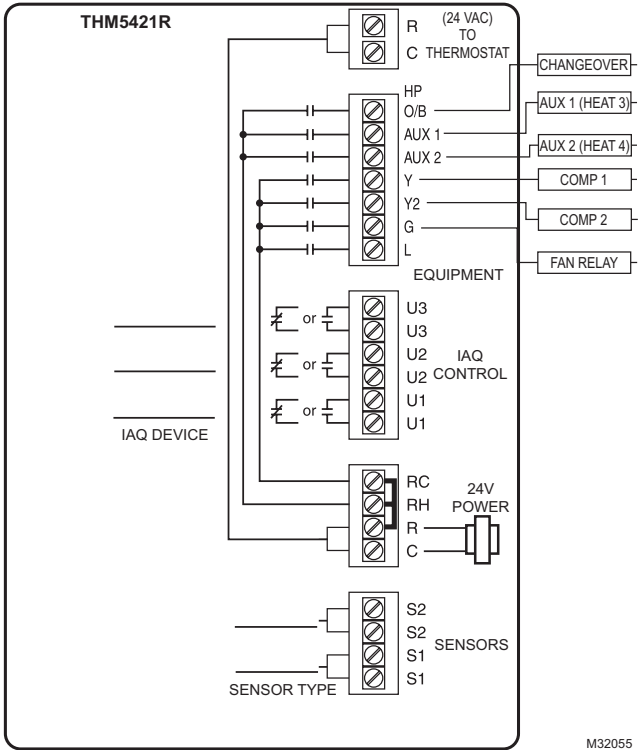
Wiring guide

Typical hookup of conventional system with up to three-stage heat and two-stage cool with one transformer (3H/2C, 2H/2C, 2H/1C, 1H/2C, 1H/1C, 1H, 2H, 3H, 1C, 2C conventional).



M32054

Typical hookup of heat pump system with up to four-stage heat and two-stage cool with one transformer (4H/2C, 3H/2C, 2H/2C, 2H/1C, 1H/1C heat pump systems).



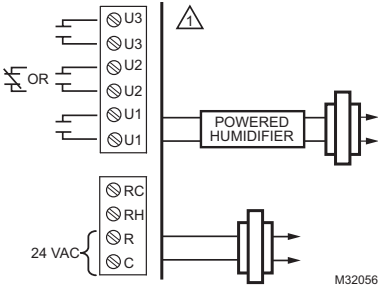
M32055

Wiring guide—equipment

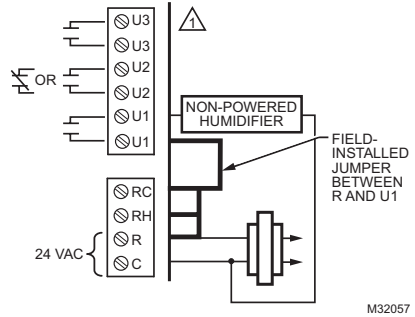
Any combination of Universal relays (U1, U2, U3) can be used.

| With power supply | Without power supply |
|-------------------|----------------------|
|-------------------|----------------------|

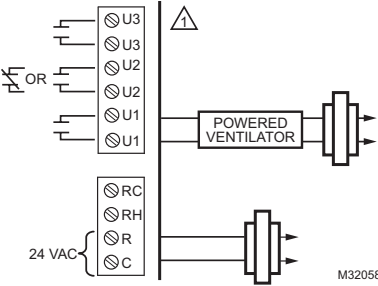
Typical hookup of powered humidifier.



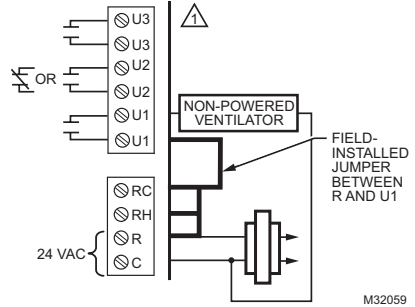
Typical hookup of non-powered humidifier.



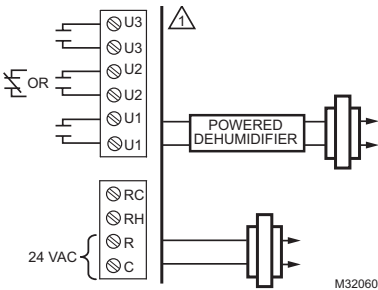
Typical hookup of powered ventilation.



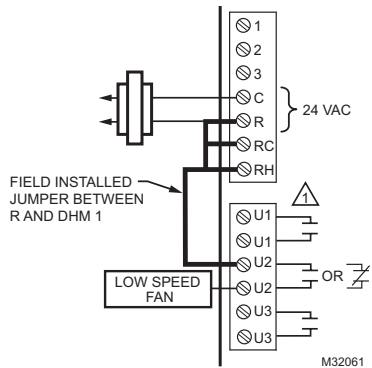
Typical hookup of non-powered ventilation.



Typical hookup of powered dehumidifier (whole house dehumidifier).



Typical hookup of variable speed blower for dehumidification in low speed.



KEY

⚠ ANY COMBINATION OF UNIVERSAL RELAYS (U1, U2, U3) CAN BE USED.

—/— = NORMALLY OPEN, DRY CONTACTS

—/— = NORMALLY CLOSED, DRY CONTACTS

M28920

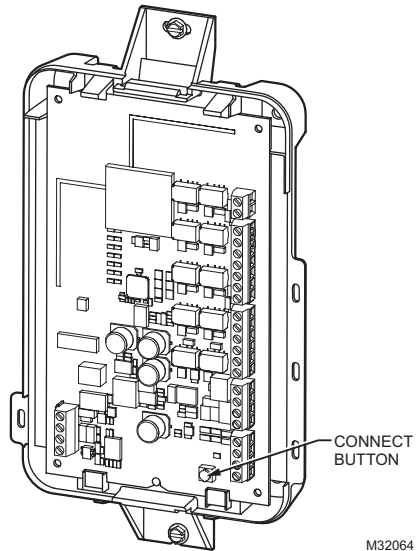
3 Enroll the thermostat

Navigate through the installer setup to the Wireless Setup screen:



MCR32063

Press the connect button on the Equipment Interface Module:



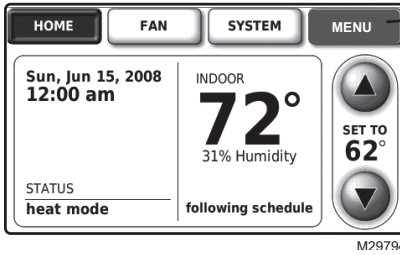
M32064

Press Next at thermostat. Display will show "Device Connected" when the thermostat and Equipment Interface Module are connected.

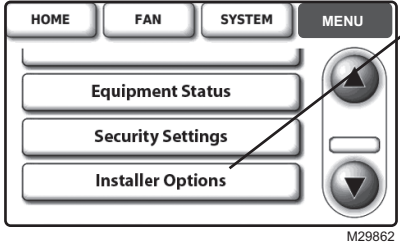


MCR32065

4 Customize thermostat (installer options)

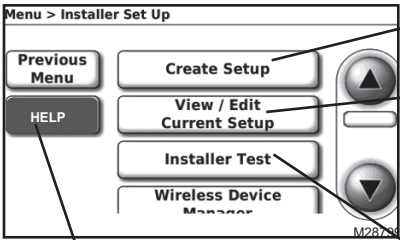


Press **MENU**.



Press ▼ to scroll down, then press **INSTALLER OPTIONS**. Enter security code when prompted.

Security code is the thermostat date code (printed on back of thermostat). Or press **MENU > EQUIPMENT STATUS** to find code.



Press **CREATE SETUP** to set all system settings one by one.

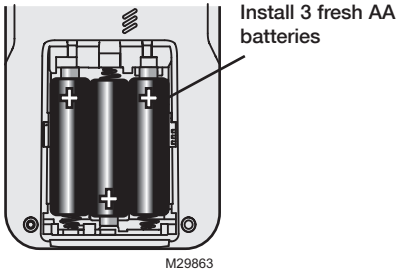
Press **VIEW/EDIT** to select a specific function and make quick changes. (See complete list of system settings on pages 12-13.)

Press **INSTALLER TEST** to run system tests. You should always test the system after making changes to settings.

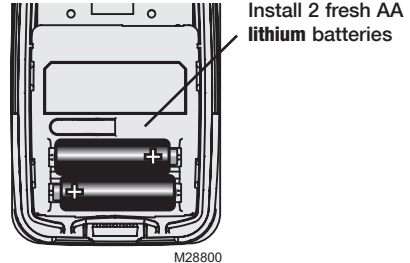
Note: Press **HELP** for more information on these and other options.

5 Install batteries in wireless accessories

Remote control (optional)



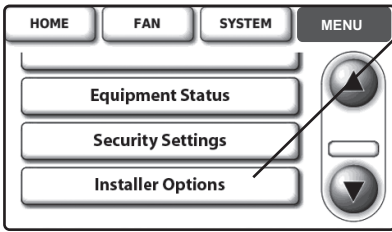
Outdoor air sensor (optional)



6 Link wireless accessories to thermostat (optional)

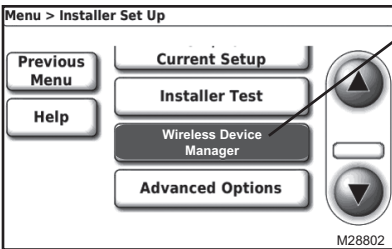


Press **MENU**.

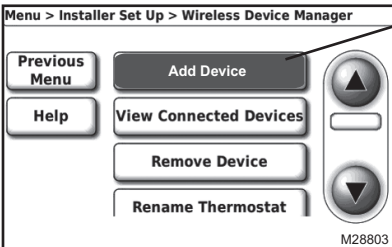


Press ▼ to scroll down, then press **INSTALLER OPTIONS**. Enter security code when prompted.

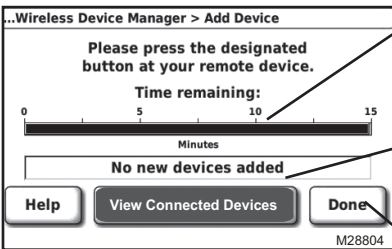
Security code is the thermostat date code (printed on back of thermostat). Or press **MENU > EQUIPMENT STATUS** to find code.



Press ▼ to scroll down, then press **WIRELESS DEVICE MANAGER**.



Press **ADD DEVICE** to start timer, then press the Connect button on wireless accessories to link them to the thermostat (see next page).



Timer will re-set to 15 minutes after each accessory is linked. Thermostat will exit link mode after 15 minutes if there is no activity.

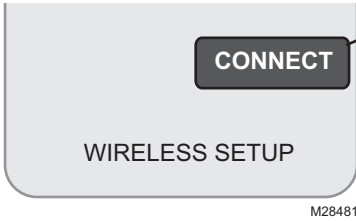
Press **VIEW CONNECTED DEVICES** to verify that all wireless accessories have been linked to the thermostat.

Press **DONE** when finished.

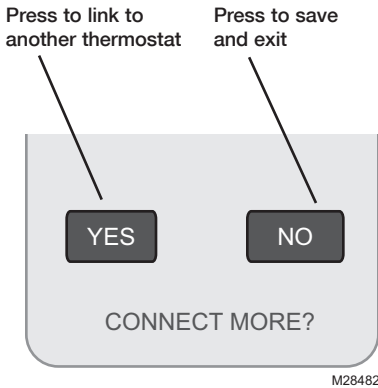
i Note: If you are installing more than one thermostat, repeat steps above and on page 10 for each thermostat.


If you are installing multiple thermostats, you must press **DONE** to exit "Add Device" mode at each thermostat before linking wireless accessories to the next thermostat.

Link remote control to thermostat (optional)



- 1 Make sure the thermostat displays the "Add Device" timer screen (see page 9).
- 2 Press **CONNECT** at the remote. There will be a short delay as the remote seeks a signal from the thermostat.
- 3 When the screen displays "Connected," press **DONE**.
- 4 Press **NO** at the next screen to save and exit. (Or press **YES** and repeat steps 1-4 to link another thermostat.)

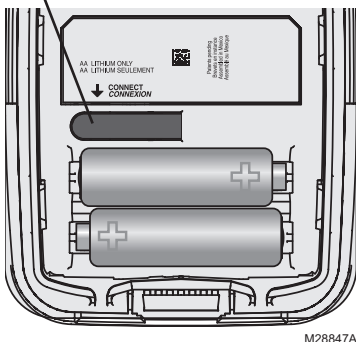


-  The linking procedure at the remote may time out if there is no keypress within 30 minutes. To begin again, press and hold the blank space (or arrow, if present) in the lower right corner of the screen until the display changes (about 3 seconds).



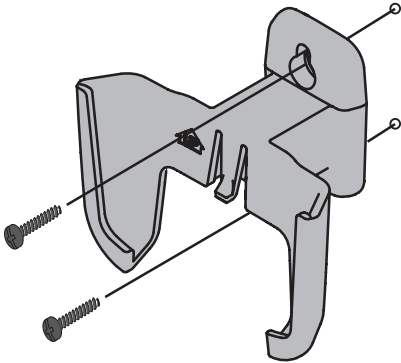
Link outdoor sensor to thermostat (optional)

Press and release



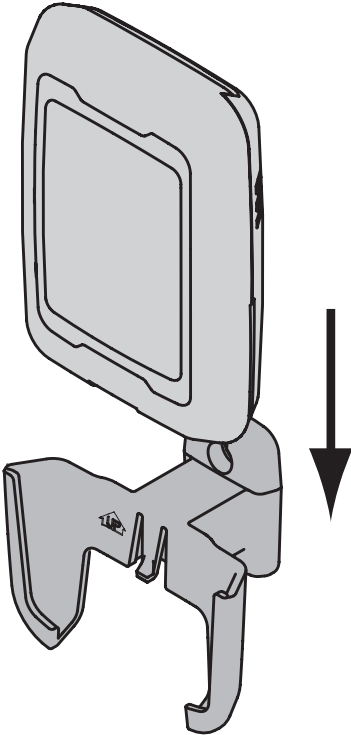
- 1 Make sure the thermostat displays the "Add Device" timer screen (see page 9).
- 2 Press the **CONNECT** button on the back of the sensor.
- 3 Check thermostat to verify that the outdoor sensor is working. After about 15 seconds, the thermostat should display outdoor temperature and humidity.

7 Install outdoor sensor (optional)



M28491

Mount the sensor on a vertical exterior wall, at least 6 inches below any overhang. Choose a location protected from direct sunlight.



M28849A

Place sensor securely in bracket, facing away from wall.

Installer setup tables

| Setup functions | | (factory default setting listed, other options available) |
|-----------------|--------------------------------------|---|
| 100 | Language | English |
| 110 | Zone Number | Not Zoned |
| 112 | Device name | Thermostat |
| 130 | Date year | 2011 |
| 140 | Date month | June |
| 150 | Date day | 15 |
| 160 | Schedule options | Programmable |
| 165 | Restore Energy Saver Schedule | No |
| 172 | System selection | Conventional |
| 173 | Heat Pump Type | Air To Air |
| 174 | Compressor stages | 1 |
| 175 | Series 20 Control | No |
| 176 | Heat stages | 1 |
| 180 | Fan operation | System (gas/oil/heat) |
| 190 | Reversing valve | O/B on Cool |
| 200 | Backup heat | Electric |
| 210 | External fossil fuel | Yes |
| 220 | Compressor stage 1 cycle rate | 3 |
| 230 | Compressor stage 2 cycle rate | 3 |
| 240 | Heat stage 1 cycle rate (Aux) | 5 |
| 250 | Heat stage 2 cycle rate (Aux 2) | 5 |
| 260 | Heat stage 3 cycle rate | 5 |
| 281 | Display inactive backlight level | 5 (color models only) |
| 300 | Changeover | Manual |
| 310 | Deadband | 2° F |
| 320 | Temperature display | Fahrenheit |
| 330 | Daylight savings time | Auto change: On |
| 342 | Outdoor temperature sensor? | No |
| 346 | Dual-fuel upstage timer | 60 minutes |
| 347 | Droop Temperature | 2 |
| 349 | Backup Heat Control | Comfort |
| 350 | Compressor lockout (balance point) | Off |
| 360 | Auxiliary lockout | Off |
| 365 | Discharge Air Temperature Sensor | No |
| 371 | Humidification equipment | None |
| 372 | Indoor humidity control | Off |
| 374 | Humidifier fan action | Humidify only with fan |
| 379 | Dehumidification equipment | None |
| 383 | Overcooling limit | 3° F (1.5° C) |
| 384 | Dehumidification fan control | Forces fan on |
| 386 | Whole house Dehumidification Lockout | Off |
| 390 | Dehumidification away mode | Off |


Installer setup tables

| Setup functions (factory default setting listed, other options available) | | |
|---|---|---------------------------|
| 391 | Away mode fan operation | Automatic |
| 392 | Away mode low temp. setting | 76° F (24.5° C) |
| 393 | Away mode high temp. setting | 85° F (29.5° C) |
| 394 | Away mode dehumidification | 65% relative humidity |
| 400 | Ventilation Control | Off |
| 401 | Number of Bedrooms | 2 |
| 402 | Total Sq. Ft. of Home | 1000 |
| 403 | Ventilation CFM | 160 |
| 404 | Max Ventilation Percentage Limit | 50% |
| 405 | Ventilation Fan Action | Ventilation Forces Fan On |
| 406 | Ventilation in High Humidity | On |
| 431 | Ventilation Lockout High Temperature | None |
| 432 | Ventilation Lockout Low Temperature | None |
| 433 | Ventilation Lockout High Outdoor Humidity | Off |
| 434 | Ventilation Lockout High Outdoor Humidity Setting | 75° dewpoint |
| 450 | A-Coil Low Temperature Cutoff | None |
| 500 | Reminder: Furnace filter | Off |
| 502 | Furnace filter runtime counter | Count heat and cool |
| 510 | Reminder: Humidifier pad | Off |
| 520 | Reminder: UV bulb | Off |
| 525 | Installer Custom Reminders | Add Customer Reminder |
| 530 | Adaptive Intelligent Recovery | On |
| 540 | Number of schedule periods | 4 |
| 580 | Minimum compressor off time | 5 minutes |
| 600 | Maximum heat range | 90° F (32° C) |
| 610 | Minimum cool range | 60° F (15.5° C) |
| 640 | Clock format | 12-hour |
| 650 | Extended fan on time (heat) | Off |
| 660 | Extended fan on time (cool) | Off |
| 670 | Keypad lock | Unlocked |
| 680 | Temp. control (heat) | Standard |
| 690 | Temp. control (cool) | Standard |
| 695 | Finish on High Heat Stage | No |
| 696 | Finish on High Cool Stage | No |
| 700 | Temperature display offset | No offset |
| 701 | Humidity display offset | No offset |
| 710 | RESTORE FACTORY DEFAULTS | No: Advanced Options |

Installer setup tables

Customer contact information (optional, but recommended)

| | | |
|------|------------------------------|------------------------|
| 1100 | Dealer name | Your company name |
| 1150 | Dealer phone number | Your telephone contact |
| 1200 | Dealer email address | Your email address |
| 1250 | Dealer website | Your web site |
| 1300 | Dealer Message | Edit |
| 1350 | Configurable S1 Sensor Input | None |
| 1355 | Configurable S2 Sensor Input | None |
| 1400 | Configurable U1 Relay | None |
| 1405 | Configurable U2 Relay | None |
| 1410 | Configurable U3 Relay | None |
| 1500 | Low Speed Fan Position | Normally Closed |

 **Note:** All installer options, including Dealer name, contact information and message can be set up as a file and downloaded via the USB port on the thermostat.

Replacing system components

Thermostat

After installing a new thermostat, you must re-link all accessories to the new thermostat, as described below.

- 1 Install and wire new thermostat (see pages 3-7).
- 2 Customize new thermostat (see page 8).
- 3 Link wireless accessories (see pages 9-10).

At the remote control:

- Press and hold the blank space (or arrow if present) in the lower right corner of the screen until the display changes (see page 10).
- Press **REMOVE**, then **YES** to disconnect from old thermostat.
- Follow the procedure on page 10 to link to new thermostat.

At the outdoor air sensor:

- Press the **CONNECT** button to link to the new thermostat (see page 10).
- 4 Press **DONE** at the thermostat.

Remote control & outdoor sensor

To replace a remote control or outdoor air sensor, install batteries and follow the procedures on pages 9-10 to link it to the thermostat.

Specifications & replacement parts

Operating Ambient Temperature

- Thermostat:** 32 to 120° F (0 to 48.9° C)
- Remote control:** 32 to 120° F (0 to 48.9° C)
- Outdoor air sensor:** -40 to 140° F (-40 to 60° C)
- EIM:** -40 to 165° F (-40 to 73.9° C)
- Return air sensor:** 0 to 200° F (-17.8 to 93.3° C)
- Discharge air sensor:** 0 to 200° F (-17.8 to 93.3° C)

Operating Relative Humidity

- Thermostat:** 5% to 90% (non-condensing)
- Remote control:** 5% to 90% (non-condensing)
- Outdoor air sensor:** 0% to 100% (condensing)
- EIM:** 5% to 95% (non-condensing)

Physical Dimensions (height, width, depth)

- Thermostat:** 3-9/16 x 5-13/16 x 1-1/2 inches (91 x 147 x 38 mm)
- Outdoor air sensor:** 5 x 3-1/2 x 1-11/16 inches (127 x 89 x 43 mm)
- EIM:** 9-5/16 x 4-13/16 x 1-19/32 inches (91 x 147 x 38 mm)

Electrical Ratings

| Terminal | Voltage (50/60 Hz) | Max. Current Rating |
|-----------------------------|--------------------|---------------------|
| W - O/B | 18 to 30 VAC | 1.00A |
| Y (cooling) | 18 to 30 VAC | 1.00A |
| G (fan) | 18 to 30 VAC | 0.60A |
| W2 - Aux 1 (heating) | 18 to 30 VAC | 0.60A |
| Y2 (cooling) | 18 to 30 VAC | 0.60A |
| W3 - Aux 2 | 18 to 30 VAC | 1.00A |
| L (Output) | 18 to 30 VAC | 0.60A |
| U1 | 30 VAC max. | 0.50A |
| U1 | 30 VAC max. | 0.50A |
| U2 | 30 VAC max. | 0.50A |
| U2 | 30 VAC max. | 0.50A |
| U3 | 30 VAC max. | 0.50A |
| U3 | 30 VAC max. | 0.50A |

Accessories & Replacement Parts

| Item | Part Number |
|--|--------------|
| Wireless adapter | THM4000R1000 |
| Remote control | REM5000R1001 |
| Outdoor air sensor | C7089R1013 |
| Cover plate (covers marks left by old thermostats) | 50028399-001 |

Regulatory information

FCC Compliance Statement (Part 15.19) (USA only)

This device complies with Part 15 of the FCC Rules. Operation is subject to the following two conditions:

- 1 This device may not cause harmful interference, and
- 2 This device must accept any interference received, including interference that may cause undesired operation.

FCC Warning (Part 15.21) (USA only)

Changes or modifications not expressly approved by the party responsible for compliance could void the user's authority to operate the equipment.

FCC Interference Statement (Part 15.105 (b)) (USA only)

This equipment has been tested and found to comply with the limits for a Class B digital device, pursuant to Part 15 of the FCC Rules. These limits are designed to provide reasonable protection against harmful interference in a residential installation. This equipment generates uses and can radiate radio frequency energy and, if not installed and used in accordance with the instructions, may cause harmful interference to radio communications. However, there is no guarantee that interference will not occur in a particular installation. If this equipment does cause harmful interference to radio or television reception, which can be determined by turning the equipment off and on, the user is encouraged to try to correct the interference by one of the following measures:

- Reorient or relocate the receiving antenna.
- Increase the separation between the equipment and receiver.
- Connect the equipment into an outlet on a circuit different from that to which the receiver is connected.
- Consult the dealer or an experienced radio/TV technician for help.

Thermostats and outdoor sensor

To comply with FCC and Industry Canada RF exposure limits for general population/ uncontrolled exposure, the antenna(s) used for these transmitters must be installed to provide a separation distance of at least 20 cm from all persons and must not be co-located or operating in conjunction with any other antenna or transmitter.

Remote control

This portable transmitter with its antenna complies with FCC and Industry Canada RF exposure limits for general population/uncontrolled exposure.

Section 7.1.5 of RSS-GEN

Operation is subject to the following two conditions:

- 1 this device may not cause interference, and
- 2 this device must accept any interference, including interference that may cause undesired operation of the device.

Honeywell

Guide d'installation du système



Module d'interface d'équipement RF et IAQ Prestige™ à deux fils

Avec accessoires sans fil

Régulation de thermopompes offrant jusqu'à 4 étages de chauffage et 2 étages de refroidissement ou de systèmes classiques offrant jusqu'à 3 étages de chauffage et 2 étages de refroidissement.

Guide d'installation pour :

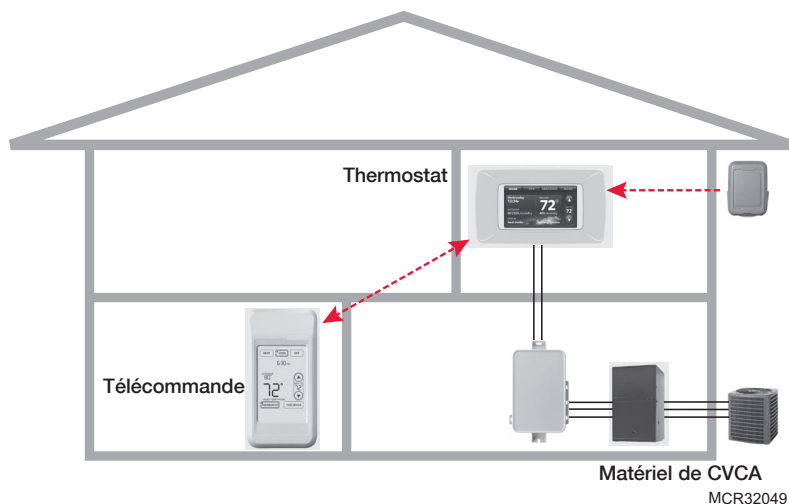
- IAQ Prestige THX9000
- Télécommande sans fil
- Module d'interface d'équipement
- Capteur d'air extérieur sans fil

⚠ COUPER L'ALIMENTATION ÉLECTRIQUE AVANT D'EFFECTUER LE RACCORDEMENT. Peut provoquer des chocs électriques ou endommager le matériel.

⚠ AVIS SUR LE MERCURE : Si le nouveau thermostat remplace un ancien régulateur contenant un contact à mercure, ne pas mettre l'ancien régulateur aux poubelles. Communiquer avec le service local de cueillette des déchets pour obtenir de l'information sur le recyclage ou sur la bonne façon de disposer d'un ancien régulateur contenant un contact à mercure.

ⓘ Doit être installé par un technicien d'expérience ayant reçu la formation pertinente. Lire attentivement les instructions. Le fait de ne pas les suivre risque d'endommager le produit ou de constituer un danger.

Installation du système en un coup d'oeil



Procédure d'installation

- 1 Installation et raccordement du thermostat..... Pages 3-7
 - 2 Montage et câblage du module d'interface d'équipement.... Pages 3-7
 - 3 Branchement du thermostat au module d'interface d'équipement..... Pages 3-7
 - 4 Personnalisation du thermostat (mode de configuration par l'installateur)..... Pages 8
 - 5 Insertion des piles dans les accessoires sans fil.....Page 8
 - 6 Connexion des accessoires au thermostat..... Pages 9-10
 - 7 Installation du capteur extérieurPage 11
- Pour remplacer les composants du système au besoin, voir la page 14

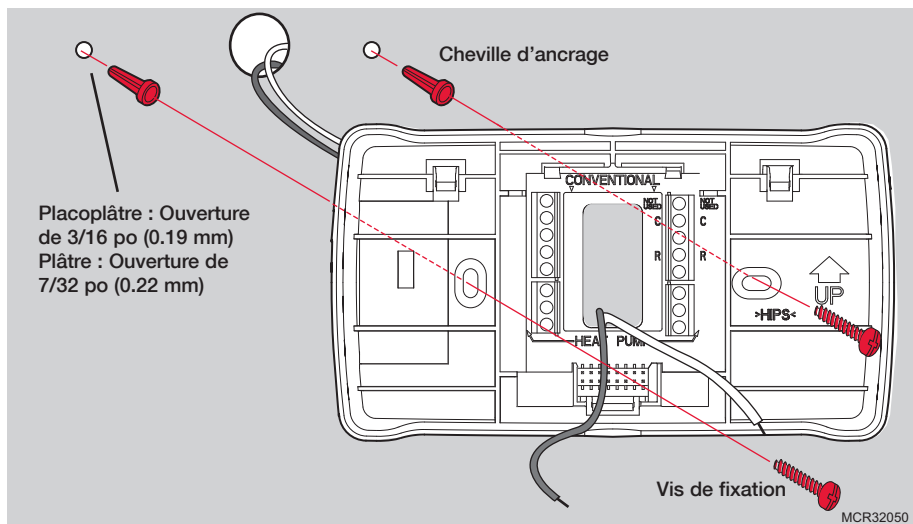
i S'il y a plus d'un thermostat : Les accessoires en option doivent être liés à chaque thermostat séparément.

! **CUPER L'ALIMENTATION ÉLECTRIQUE AVANT D'EFFECTUER LE RACCORDEMENT.** Peut provoquer des chocs électriques ou endommager le matériel.

1 Installation et raccordement du thermostat

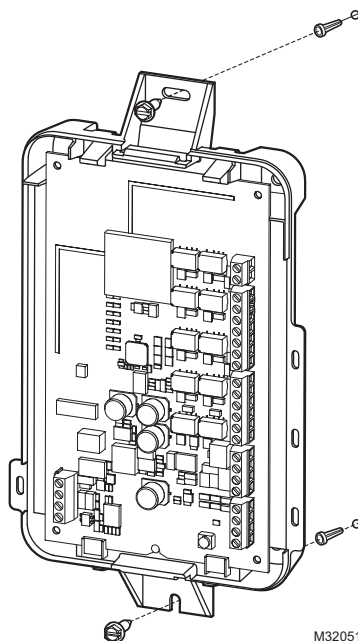
Installer comme illustré ci-dessous. Brancher les fils aux bornes R et C du thermostat.

Les autres extrémités de ces fils doivent être branchées sur les bornes R et C du module d'interface d'équipement ou sur un transformateur séparé de 24 V (non fourni).

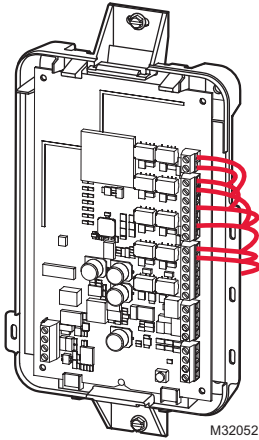


2 Installation et raccordement du Module d'interface d'équipement

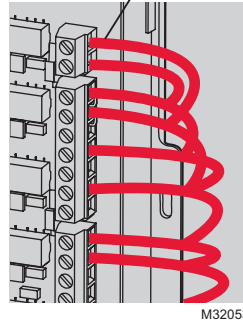
Installer le Module d'interface d'équipement sur le mur à proximité du système de CVCA ou sur le système même. Ne pas l'installer à l'intérieur du système. Utiliser les vis et les chevilles d'ancrage fournies pour une installation en surface.



Raccordement électrique du Module d'interface d'équipement



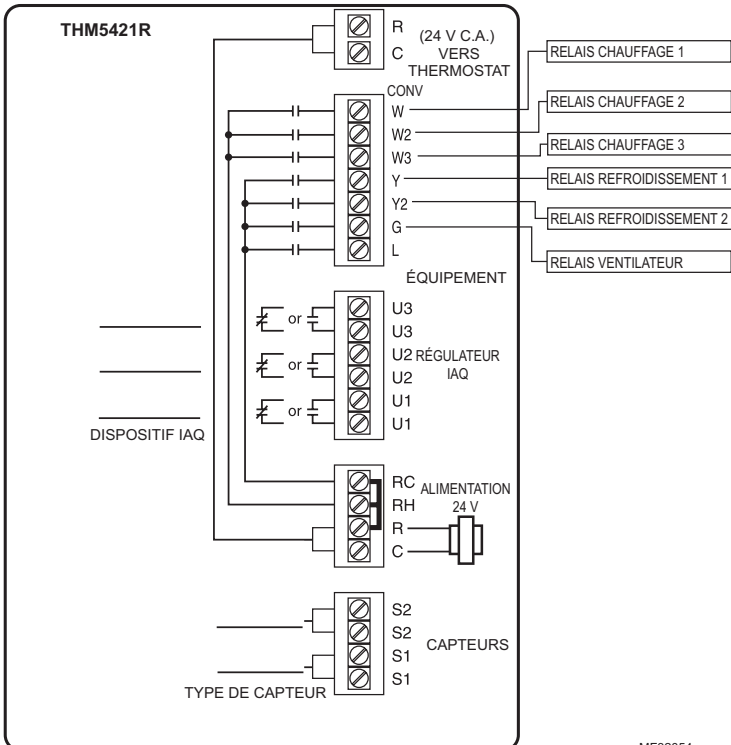
Dénuder l'isolant sur 1/4 po puis insérer les fils comme le montre l'illustration.



Le câblage doit être conforme aux codes locaux de l'électricité.

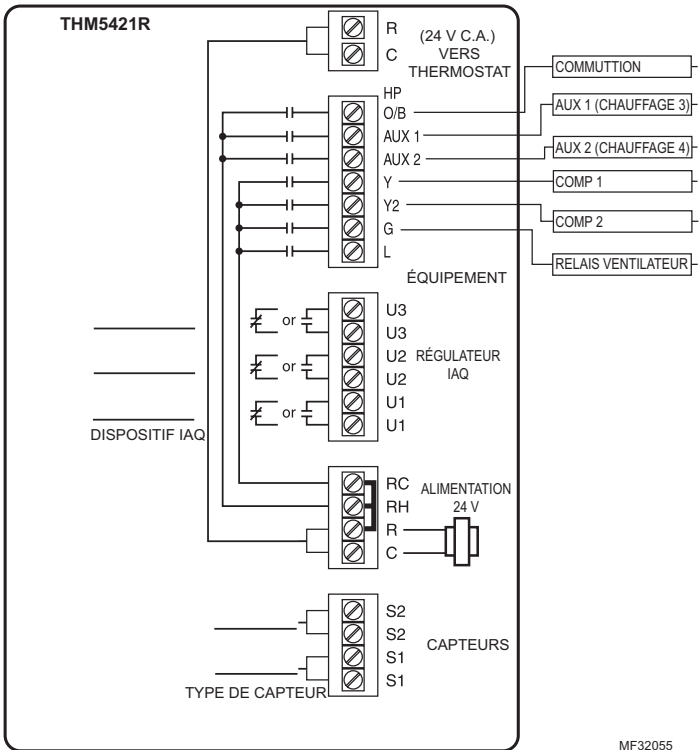
Guide de raccordement

Raccordement type d'un système classique offrant jusqu'à 3 étages de chauffage et 2 étages de refroidissement avec un transformateur (3C/2R, 2C/2R, 2C/1R, 1C/2R, 1C/1R, 1C, 2C, 3C, 1R, 2R classique).



MF32054

Raccordement type d'un système avec thermopompe à un transformateur offrant jusqu'à quatre étages de chauffage et deux étages de refroidissement et (thermopompes 4C/2R, 3C/2R, 2C/2R, 2C/1R, 1C/1R).

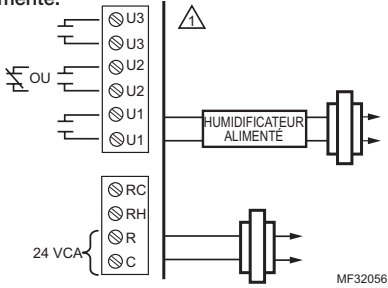


MF32055

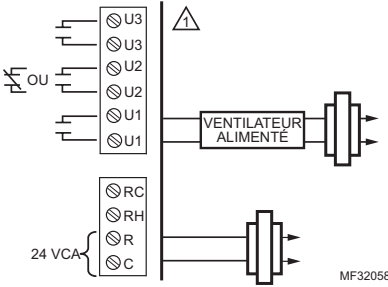
Guide de raccordement - matériel

Avec alimentation électrique Sans alimentation électrique

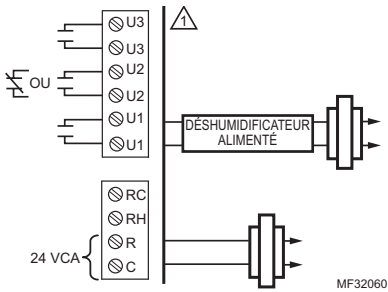
Raccordement type d'un humidificateur alimenté.



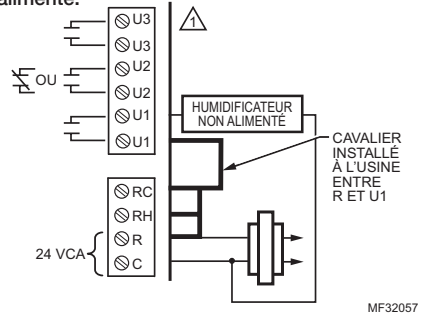
Raccordement type d'un ventilateur alimenté.



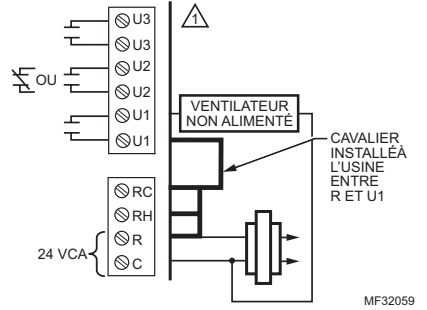
Raccordement type d'un déshumidificateur alimenté (déshumidificateur pour toute la maison).



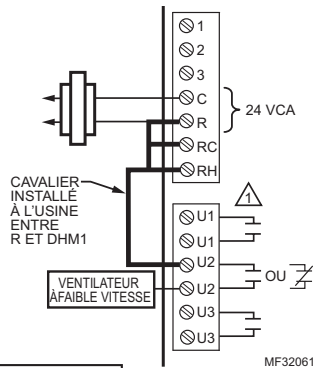
Raccordement type d'un humidificateur non alimenté.



Raccordement type d'un ventilateur non alimenté.



Raccordement type d'un ventilateur à vitesse variable servant à la déshumidification à faible vitesse.



CLÉ

⚠ TOUTE COMBINAISON DES RELAIS UNIVERSELS (U1, U2, U3) PEUT ÊTRE UTILISÉE.

— = CONTACTS SECS, NORMALEMENT OUVERTS

—/— = CONTACTS SECS, NORMALEMENT FERMÉS

MF28920

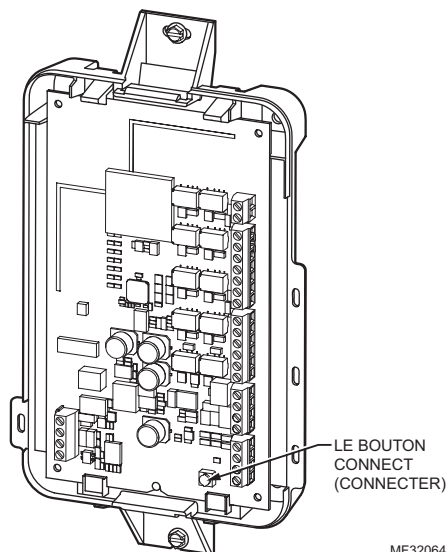
3 Enregistrement du thermostat

Naviguer dans l'écran Wireless Setup (Configuration sans fil) de configuration de l'installateur :



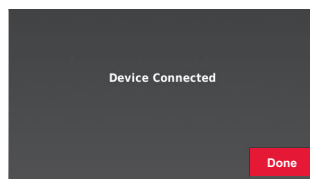
MCR32063

Appuyer sur le bouton de connexion du module d'interface d'équipement :



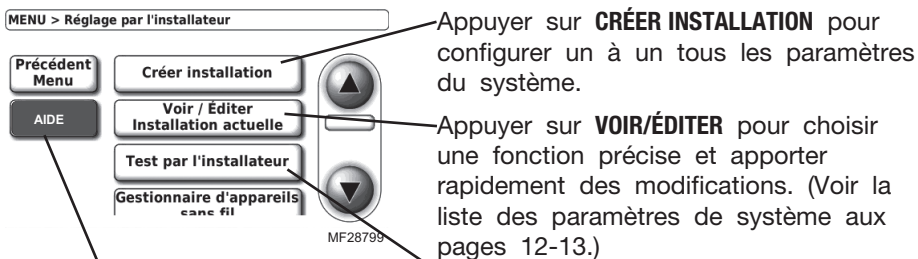
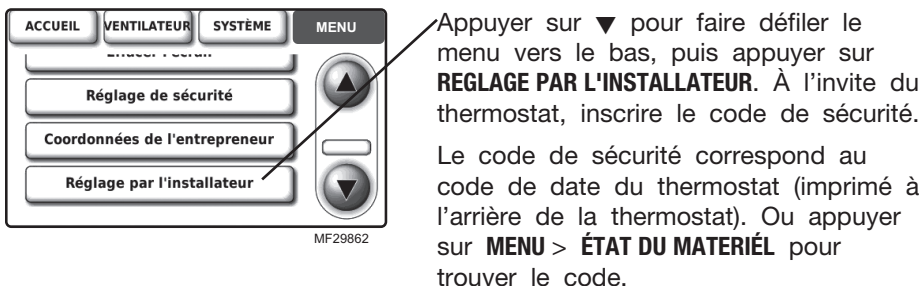
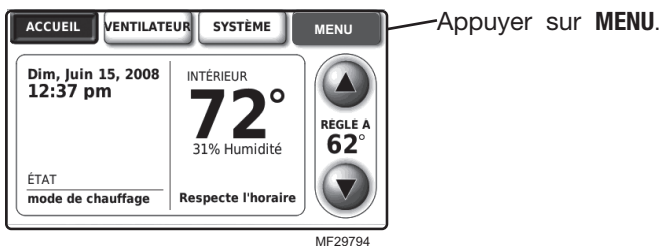
MF32064

Appuyer sur Next (Suivant) pour le thermostat. L'affichage indique « Device Connected » (Dispositif connecté) lorsque le thermostat et le module d'interface d'équipement sont connectés.



MCR32065

4 Personnalisation du thermostat (options de l'installateur)

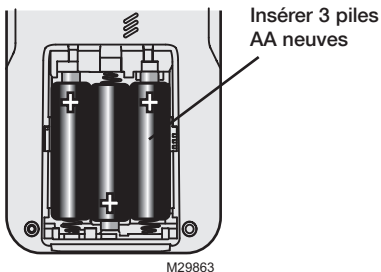


i **Remarque :** Appuyer sur **AIDE** pour obtenir plus d'information sur ces options et sur les autres options.

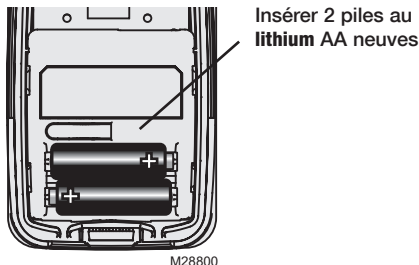
Appuyer sur **TEST PAR L'INSTALLATEUR** pour vérifier le fonctionnement du système. Il est conseillé de toujours vérifier le système après avoir modifié les paramètres.

5 Insertion des piles dans les accessoires sans fil

Télécommande (optionnelle)



Capteur d'air extérieur (optionnel)

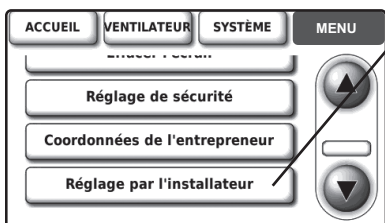


6 Connexion des accessoires sans fil au thermostat (optionnel)



MF28801

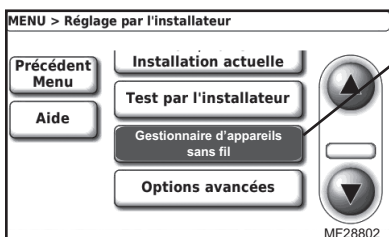
Appuyer sur **MENU**.



MF29862

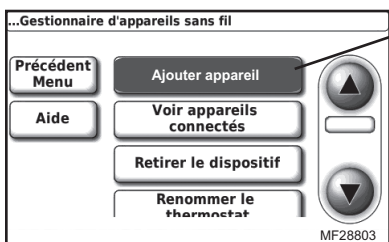
Appuyer sur ▼ pour faire défiler le menu vers le bas, puis appuyer sur **REGLAGE PAR L'INSTALLATEUR**. À l'invite du thermostat, inscrire le code de sécurité.

Le code de sécurité correspond au code de date du thermostat (imprimé à l'arrière de la thermostat). Ou appuyer sur **MENU > ÉTAT DU MATÉRIEL >** pour trouver le code.



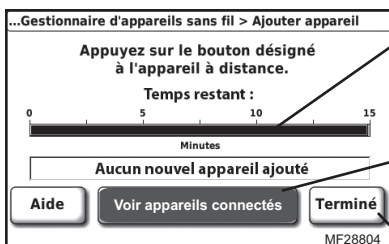
MF28802

Appuyer sur ▼ pour faire défiler le menu vers le bas, puis appuyer sur **GESTIONNAIRE D'APPAREILS SANS FIL**



MF28803

Appuyer sur **AJOUTER APPAREIL** pour lancer la minuterie, puis appuyer sur le bouton Connect (Connecter) des accessoires sans fil pour établir la connexion avec le thermostat (voir à la page suivante).



MF28804

La minuterie revient à zéro après la connexion de chaque appareil. Le thermostat quittera le mode de connexion après 15 minutes sans activité.

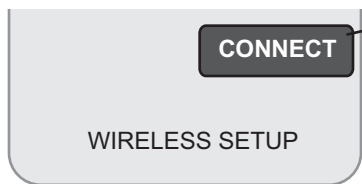
Appuyer sur **VOIR APPAREILS CONNECTÉS** pour vérifier si tous les appareils sans fil ont bien été connectés au thermostat.

Appuyer sur **TERMINÉ** une fois l'opération terminée.

Remarque : S'il y a plus d'un thermostat à installer, répéter les étapes ci-dessus et celles de la page 10 pour chacun des thermostats.

Lors de l'installation de plusieurs thermostats, il faut appuyer sur la touche **TERMINÉ** pour quitter le mode «Ajouter Appareil» à chaque thermostat avant de connecter des accessoires sans fil au thermostat suivant.

Relier la télécommande au thermostat (optionnel)

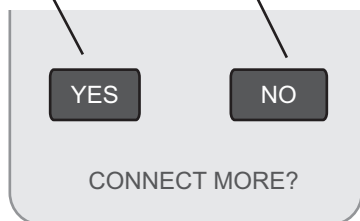


M28481

- 1 S'assurer que le thermostat affiche l'écran de minuterie « Ajouter dispositif » (voir la page 9).
- 2 Appuyer sur **CONNECT** de la télécommande. Il y a aura un court délai pendant que la télécommande recherche le signal du thermostat.
- 3 Lorsque l'écran affiche «Connected», appuyer sur **TERMINÉ**.
- 4 Appuyer sur non à l'écran suivant pour sauvegarder la configuration et quitter. (Ou appuyer sur oui et répéter les étapes 1 à 4 pour connecter un autre thermostat.)

Appuyez pour le lien vers un autre thermostat

Appuyez pour sauvegarder et quitter



M28482



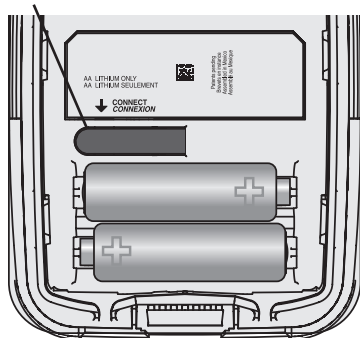
La connexion à la télécommande peut prendre fin automatiquement après 30 minutes d'inactivité sur les touches. Pour recommencer, appuyer sur l'espace vierge (ou sur la flèche, selon le cas) dans le coin inférieur droit de l'écran et le maintenir enfoncé jusqu'à ce que l'écran change (au bout d'environ 3 secondes).



M28846

Connexion du capteur extérieur au thermostat (optionnel)

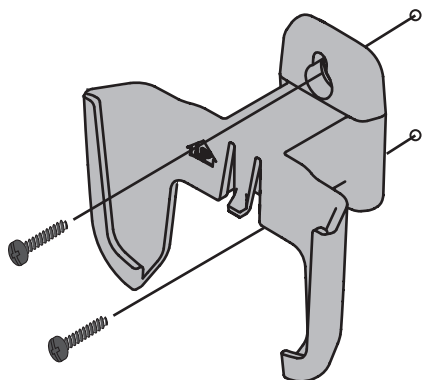
Appuyer sur le bouton et le relâcher



M28847A

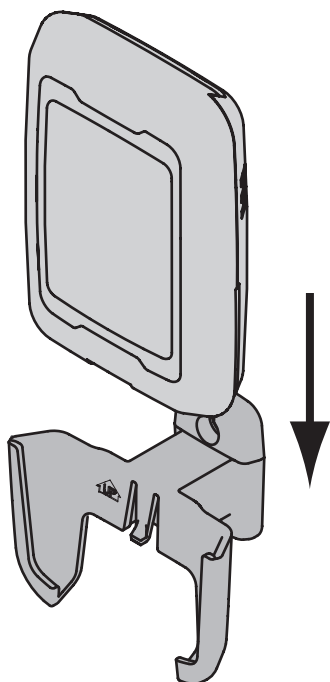
- 1 S'assurer que le thermostat affiche l'écran de minuterie « Ajouter dispositif » (voir la page 9).
- 2 Appuyer sur **CONNECT** à l'arrière du capteur.
- 3 Observer le thermostat pour vérifier que le capteur d'air extérieur fonctionne. Après environ 15 secondes, le thermostat devrait afficher la température et l'humidité extérieures.

7 Installation du capteur extérieur (optionnel)



M28491

Installer le capteur sur un mur extérieur à la verticale, à au moins 6 pouces (15 cm) de tout surplomb. Choisir un emplacement où le capteur sera à l'abri des rayons du soleil.



M28849A

Fixer fermement le capteur sur le support, en mettant le dos de l'appareil contre le mur.

Tableaux de configuration par l'installateur

| Fonctions de configuration | | (réglage de l'usine indiqué, autres options possibles) |
|----------------------------|---|--|
| 100 | Langue | Anglais |
| 110 | Numéro de zone | Pas de zone |
| 112 | Nom de l'appareil | Thermostat |
| 130 | Année | 2011 |
| 140 | Mois | Juin |
| 150 | Jour | 15 |
| 160 | Options de programmation | Programmable |
| 165 | Restaurer le calendrier de l'économiseur d'énergie | Non |
| 172 | Sélection du système | Classique |
| 173 | Type de thermopompe | Air-air |
| 174 | Étages de compresseur | 1 |
| 175 | Régulateur série 20 | Non |
| 176 | Étages de chauffage | 1 |
| 180 | Fonctionnement du ventilateur | Système (gaz/mazout/chauffage) |
| 190 | Vanne d'inversion | O/B en Refroidissement |
| 200 | Chauffage d'appoint | Électricité |
| 210 | Combustible fossile externe | Oui |
| 220 | Cycles de fonc. de l'étage 1 du compresseur | 3 |
| 230 | Cycles de fonc. de l'étage 2 du compresseur | 3 |
| 240 | Cycles de fonc. de l'étage 1 de chauffage (Aux) | 5 |
| 250 | Cycles de fonc. de l'étage 2 de chauffage (Aux) | 2 |
| 260 | Cycles de fonc. de l'étage 3 de chauffage) | 5 |
| 281 | Niveau de rétroéclairage inactif | 5 (modèles couleur seulement) |
| 300 | Commutation chaud-froid | Manuelle |
| 310 | Zone morte | 2 °F |
| 320 | Affichage de la température | 0 Fahrenheit |
| 330 | Heure d'été | Changement automatique : Marche |
| 342 | Capteur de température extérieure | Non |
| 346 | Minuterie de passage à l'étage supérieur dans un système bi-énergie | 60 minutes |
| 347 | Température de chute | 2 |
| 349 | Régulateur de chauffage de secours | Confort |
| 350 | Mise sous sécurité du compresseur (point d'équilibre) | Arrêt |
| 360 | Mise sous sécurité du chauffage auxiliaire | Arrêt |
| 365 | Capteur de température d'air de soufflage | Non |
| 371 | Matériel d'humidification | Aucun |
| 372 | Régulation de l'humidité ambiante | Arrêt |
| 374 | Fonc. du ventilateur pour l'humidification | Humidité avec ventilateur seulement |
| 379 | Matériel de déshumidification | Aucun |
| 383 | Seuil de sur-refroidissement | 3° F (1,5° C) |
| 384 | Commande du ventilateur en déshumidification | Oblige la mise en marche du ventilateur |
| 386 | Verrouillage de la déshumidification pour toute la maison | Arrêt |
| 390 | Déshumidification en mode d'absence | Arrêt |
| 391 | Fonc. du ventilateur en mode d'absence | Automatique |


Tableaux de configuration par l'installateur

| Fonctions de configuration | | (réglage de l'usine indiqué, autres options possibles) |
|----------------------------|--|---|
| 392 | Réglage du seuil de température bas en mode d'absence | 76 °F (24,5° C) Fonctions de configuration (réglage de l'usine indiqué, autres options possibles) |
| 393 | Réglage du seuil de température haut en mode d'absence | 85 °F (29,5 °C) |
| 394 | Déshumidification en mode d'absence | 65 % d'humidité relative |
| 400 | Commande de ventilation | Arrêt |
| 401 | Nombre de chambres à coucher | 2 |
| 402 | Superficie totale de la maison | 1000 |
| 403 | Superficie de ventilation (pi ³ /min) | 160 |
| 404 | Limite de pourcentage max. de la ventilation | 50 % |
| 405 | Action du ventilateur | Enclenchement forcé du ventilateur |
| 406 | Ventilation par forte humidité | Marche |
| 431 | Verrouillage de la ventilation haute température | Aucun |
| 432 | Verrouillage de la ventilation basse température | Aucun |
| 433 | Verrouillage de la ventilation Humidité extérieure élevée | Arrêt |
| 434 | Réglage Verrouillage de la ventilation Humidité extérieure élevée | Point de rosée 75° |
| 450 | Coupure basse température serpentins A | Aucun |
| 500 | Rappel : filtre pour appareil de chauffage | Arrêt |
| 502 | Totalisateur de temps de fonctionnement du filtre de l'appareil de chauffage | Décompte en chauff. et en ref. |
| 510 | Rappel : Tampon d'humidificateur | Arrêt |
| 520 | Rappel : Lampe UV | Arrêt |
| 525 | Rappels personnalisés de l'installateur | Ajouter rappel du client |
| 530 | Fonction de reprise auto-adaptative | Marche |
| 540 | Nombre de périodes à l'horaire | 4 |
| 580 | Temps d'arrêt minimal du compresseur | 5 minutes |
| 600 | Seuil maximal de chauffage | 90 °F (32 °C) |
| 610 | Seuil minimal de refroidissement | 60 °F (15,5 °C) |
| 640 | Affichage de l'heure | 12 heures |
| 650 | Prolongement du temps de marche du ventilateur (chauffage) | Arrêt |
| 660 | Prolongement du temps de marche du ventilateur (refroidissement) | Arrêt |
| 670 | Verrouillage du clavier | Déverrouillé |
| 680 | Régulation de la température (chauffage) | Standard |
| 690 | Régulation de la température (refroidissement) | Standard |
| 695 | Fin sur étage chauffage élevé | Non |
| 696 | Fin sur étage refroidissement élevé | Non |
| 700 | Écart d'affichage de la température | Pas d'écart |
| 701 | Écart d'affichage de l'humidité | Pas d'écart |
| 710 | RÉTABLIR LES RÉGLAGES DE L'USINE | Non : Options avancées |

Tableaux de configuration par l'installateur

Coordonnées de l'entrepreneur (optionnel, mais recommandé)

| | | |
|------|---------------------------------------|---------------------------|
| 1100 | Raison sociale | Votre nom d'entreprise |
| 1150 | Numéro de téléphone de l'entrepreneur | Votre numéro de téléphone |
| 1200 | Courriel de l'entrepreneur | Votre courriel |
| 1250 | Site Web de l'entrepreneur | Votre site Web |
| 1300 | Message du distributeur | Modifier |
| 1350 | Entrée capteur S1 configurable | Aucun |
| 1355 | Entrée capteur S2 configurable | Aucun |
| 1400 | Relais U1 configurable | Aucun |
| 1405 | Relais U2 configurable | Aucun |
| 1410 | Relais U3 configurable | Aucun |
| 1500 | Position basse vitesse du ventilateur | Normalement fermé |

 Remarque : Toutes les options de l'installateur, y compris le nom du distributeur, les coordonnées et le message peuvent être configurées sous forme de fichier et téléchargées via le port USB du thermostat.

Remplacement des composants du système

Thermostat

Après l'installation d'un nouveau thermostat, il faut réarmer tous les accessoires au nouveau thermostat, selon les directives ci-dessous.

- 1 Installation et raccordement d'un nouveau thermostat (voir les pages 3-7)
- 2 Personnalisation du nouveau thermostat (voir la page 8)
- 3 Connexion des accessoires sans fil (voir les pages 9-10)

À la télécommande :

- Appuyer sur l'espace vierge (ou la flèche, selon le cas) dans le coin inférieur droit de l'écran et le maintenir enfoncé jusqu'à ce que l'affichage change (voir page 10).
- Appuyer sur **REMOVE**, puis sur pour déconnecter la télécommande de l'ancien thermostat.
- Suivre les étapes à la page 10 pour connecter la télécommande au nouveau thermostat.

Au capteur d'air extérieur :

- Appuyer sur **CONNECT** pour lier le capteur au nouveau thermostat (voir la page 10).
- 4 Appuyer sur **TERMINÉ** au thermostat.

Télécommande et capteur extérieur

Pour remplacer une télécommande ou un capteur d'air extérieur, insérer des piles neuves et suivre les étapes décrites aux pages 9-10 pour le relier au thermostat.

Caractéristiques techniques et pièces de rechange

Gamme de température ambiante de service

Thermostat : 0 à 48,9 °C (32 à 120 °F)

Télécommande : 0 à 48,9 °C (32 à 120 °F)

Capteur d'air extérieur : -40 à 60 °C (-40 à 140 °F)

Module d'interface d'équipement : -40 à 73,9° C (-40 à 165° F)

Capteur d'air de retour : -17.8 à 93.3° C (0 à 200° F)

Capteur d'air de soufflage : -17.8 à 93.3° C (0 à 200° F)

Humidité relative de service

Thermostat : 5 % à 90 % (sans condensation)

Télécommande : 5 % à 90 % (sans condensation)

Capteur d'air extérieur : 0 % à 100 % (avec condensation)

Module d'interface d'équipement : 5 % à 90 % (sans condensation)

Encombrement (hauteur, largeur, profondeur)

Thermostat : 91 x 147 x 38 mm (3-9/16 x 5-13/16 x 1-1/2 po)

Capteur d'air extérieur : 127 x 89 x 43 mm (5 x 3-1/2 x 1-11/16 po)

Module d'interface d'équipement : 91 x 147 x 38 mm (9-5/16 x 4-13/16 x 1-19/32 po)

Caractéristiques électriques nominales

| Borne | Tension (50/60 Hz) | Intensité max. |
|-------------------------------|--------------------|----------------|
| W - O/B | 18 à 30 V c.a. | 1,00 A |
| Y (refroidissement) | 18 à 30 V c.a. | 1,00 A |
| G (ventilateur) | 18 à 30 V c.a. | 0,60 A |
| W2 - Aux 1 (chauffage) | 18 à 30 V c.a. | 0,60 A |
| Y2 (refroidissement) | 18 à 30 V c.a. | 0,60 A |
| W3 - Aux 2 | 18 à 30 V c.a. | 1,00 A |
| L (Sortie) | 18 à 30 V c.a. | 0,60 A |
| U1 | 30 VAC max. | 0,50 A |
| U1 | 30 VAC max. | 0,50 A |
| U2 | 30 VAC max. | 0,50 A |
| U2 | 30 VAC max. | 0,50 A |
| U3 | 30 VAC max. | 0,50 A |
| U3 | 30 VAC max. | 0,50 A |

Accessoires/Pièces de rechange

| Article | Numéro de pièce |
|--|-----------------|
| Adaptateur sans fil | THM4000R1000 |
| Télécommande | REM5000R1001 |
| Capteur d'air extérieur | C7089R1013 |
| Plaque de recouvrement (sert à masquer les marques laissées par les anciens thermostats) | 50028399-001 |

Information sur la réglementation

Déclaration de conformité à la FCC (partie 15,19) (États-Unis seulement)

Cet appareil est conforme à la Partie 15 des règles de la FCC. Le fonctionnement de ce système est assorti aux deux conditions suivantes :

- (1) L'appareil ne peut causer d'interférences nuisibles, et
- (2) L'appareil doit accepter les interférences reçues, y compris celles qui pourraient nuire à son fonctionnement.

Avis de la FCC (partie 15,21) (États-Unis seulement)

Toute modification qui n'est pas autorisée expressément par la partie responsable de la conformité de l'appareil aux règles en vigueur pourrait rendre l'utilisateur inapte à faire fonctionner le matériel.

Déclaration sur l'interférence selon la FCC (partie 15,105 (b)) (États-Unis seulement)

Ce dispositif a été testé et déclaré conforme aux normes spécifiées dans la partie 15 des règlements de la FCC (Federal Communications Commission) concernant les dispositifs numériques de classe B. Ces limites sont conçues pour offrir une protection raisonnable contre les interférences nocives pouvant survenir lorsque le produit est utilisé dans un environnement résidentiel. Ce dispositif produit, utilise et émet de l'énergie radioélectrique qui peut perturber les communications radio s'il n'est pas installé et utilisé conformément aux instructions du fabricant. Toutefois, rien ne garantit qu'il n'y aura pas d'interférences dans une installation donnée. Si l'appareil produit des interférences qui nuisent à la réception radio ou télé, ce qu'on peut déterminer en mettant l'appareil en service et hors service, l'utilisateur est invité à corriger la situation de l'une ou l'autre des façons suivantes :

- Réorienter ou déplacer l'antenne de réception.
- Augmenter l'espace qui sépare l'appareil du récepteur.
- Brancher l'appareil à une prise faisant partie d'un circuit différent de celui du récepteur.
- Consulter un détaillant ou technicien radio-télé d'expérience pour obtenir de l'aide.

Thermostats et capteur extérieur

Pour être conformes aux limites d'exposition aux radiofréquences établies par la FCC et Industrie Canada pour le grand public/l'exposition non contrôlée, la ou les antennes employées par le transmetteur doivent être installées à au moins 20 cm de distance de toute personne et ne peuvent être situées au même endroit qu'une autre antenne ou un autre transmetteur ou fonctionner conjointement avec une autre antenne ou un autre transmetteur.

Télécommande

Le transmetteur portatif et son antenne sont conformes aux limites d'exposition aux radiofréquences établies par la FCC et Industrie Canada pour le grand public/l'exposition non contrôlée.

Article 7.1.5 de CNR-GEN

Le fonctionnement de ce système est assorti aux deux conditions suivantes :

- (1) L'appareil ne peut causer d'interférences nuisibles, et
- (2) L'appareil doit accepter les interférences reçues, y compris celles qui pourraient nuire à son fonctionnement.

Honeywell

Guía de instalación del sistema



IAQ y RM EIM Prestige™ de 2 cables

Con accesorios inalámbricos

Control para los sistemas de bombas de calor de hasta 4 etapas de calor/2 etapas de frío o para sistemas convencionales de hasta 3 etapas de calor/2 etapas de frío.

Guía de instalación para:

- IAQ Prestige THX9000
- Control remoto inalámbrico
- Módulo interfaz del equipo
- Sensor de aire exterior inalámbrico



DESCONECTE LA ENERGÍA ANTES DE COMENZAR LA INSTALACIÓN. Puede ausrar una descarga eléctrica o daños al equipo.

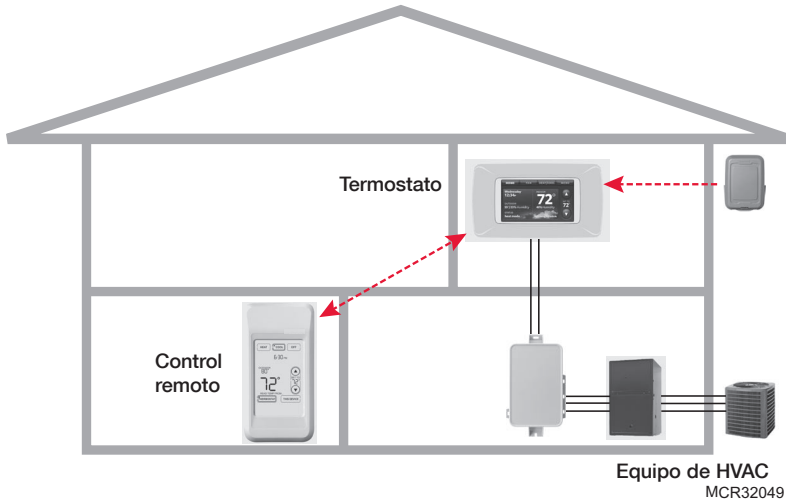


AVISO SOBRE MERCURIO: Si este producto esta reemplazando a un control que contiene mercurio en un tubo sellado, no tire a la basura el control anterior. Contacte a la oficina de manejo de desechos de su localidad en relación a la forma de reciclar y desechar adecuadamente el control.



Debe ser instalado por un técnico capacitado y experimentado. Lea detenidamente estas instrucciones. Si no sigue estas instrucciones, corre el riesgo de dañar el producto o de provocar una situación peligrosa.

Instalación del sistema a simple vista



Procedimiento de instalación

- 1** Instale y conecte el termostato..... Págs. 3-7
 - 2** Instale y conecte el EIM Págs. 3-7
 - 3** Conecte el termostato al EIM..... Págs. 3-7
 - 4** Personalice el termostato (configuración del instalador).....Pág. 8
 - 5** Instale las baterías en los accesorios inalámbricosPág. 8
 - 6** Conecte los accesorios al termostato Págs. 9-10
 - 7** Instale el sensor exteriorPág. 11
- Si necesita reemplazar los componentes del sistema, vea la pág.14

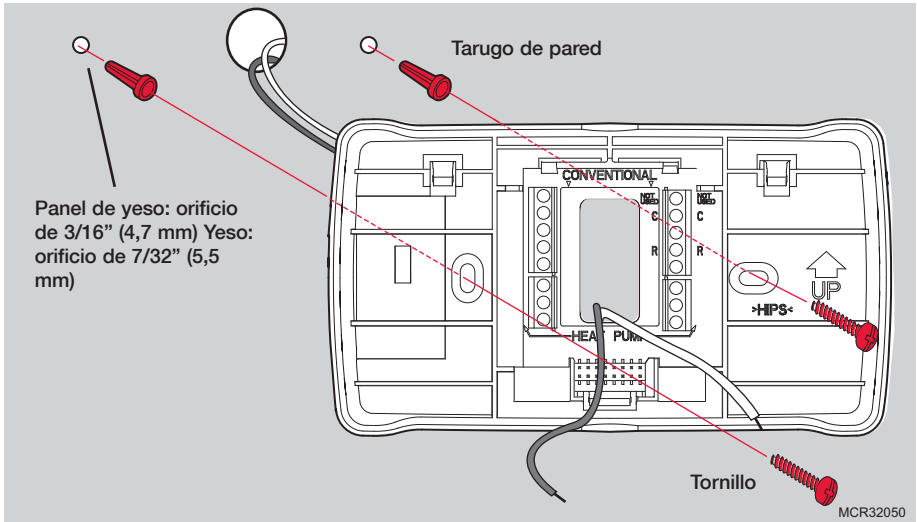
i **Si tiene más de un termostato:** Los accesorios opcionales se deben conectar a cada termostato por separado.

⚠ **DESCONECTE LA ENERGÍA ANTES DE COMENZAR LA INSTALACIÓN.** Puede causar una descarga eléctrica o daños al equipo.

1 Instale y conecte el termostato

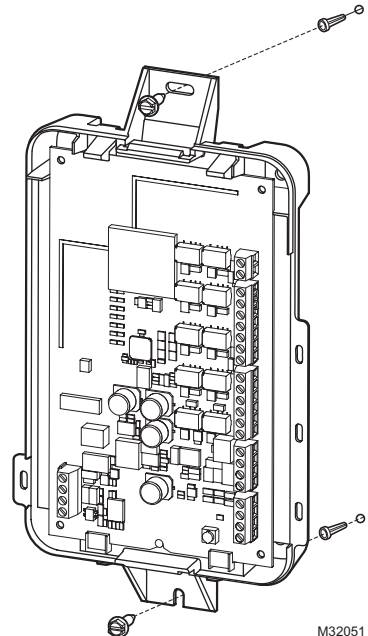
Instale como se ilustra a continuación. Conecte los cables a los terminales R y C del termostato.

Los otros extremos de estos cables deben estar conectados al Módulo Interfaz del equipo R y a los terminales C o a un transformador separado de 24 voltios (no se suministra).

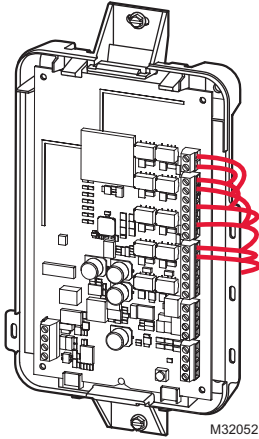


2 Instalación y conexión del Módulo interfaz del equipo

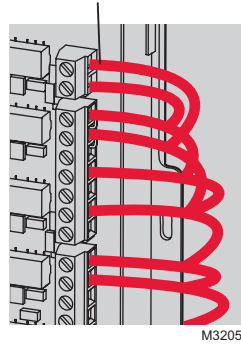
Instale el Módulo interfaz del equipo en una pared cerca del equipo de HVAC o sobre el mismo equipo. No lo instale dentro del equipo de HVAC. Utilice tornillos y tarugos de acuerdo con la superficie de montaje.



Cableado del Módulo interfaz del equipo



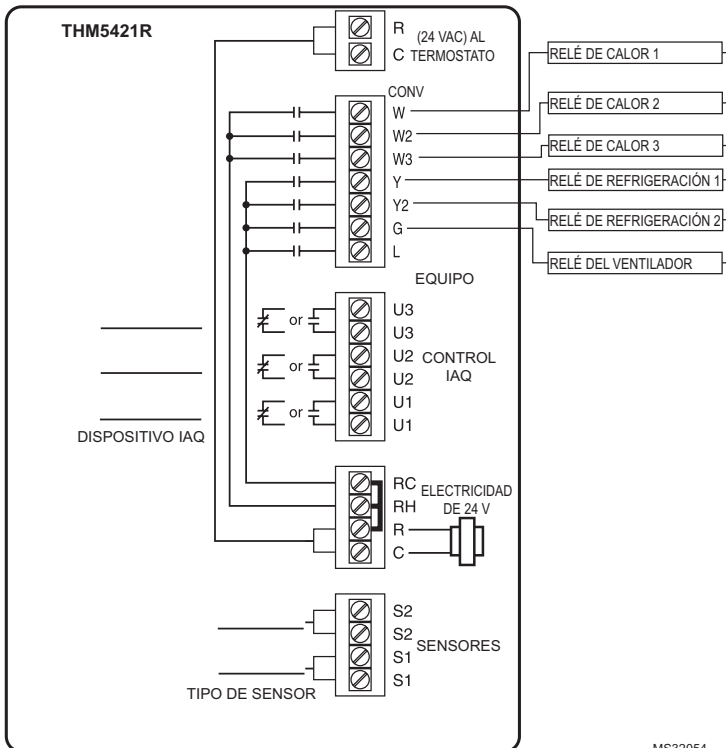
Corte 1/4 de pulgada (6,4 mm) del material aislante y luego inserte los cables tal como se muestra.



El cableado debe cumplir con los códigos de electricidad locales.

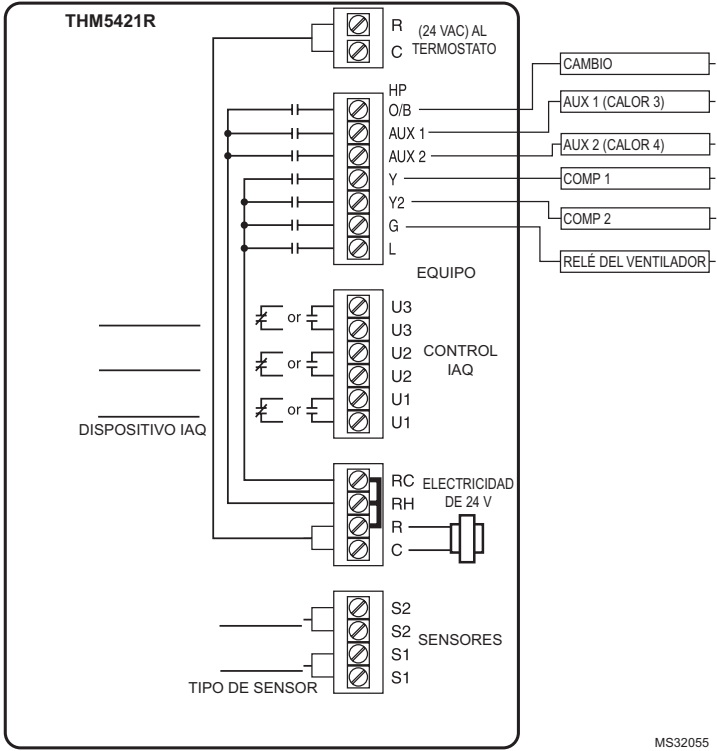
Guía de cableado

Conexión típica del sistema convencional con calor de hasta tres etapas y frío de hasta dos etapas con un transformador (convencional de 3C/2R, 2C/2R, 2C/1R, 1C/2R, 1C/1R, 1C, 2C, 3C, 1R, 2R).



MS32054

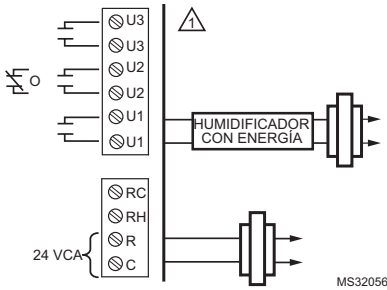
Conexión típica del sistema de bomba de calor con un transformador, con calor de hasta cuatro etapas y frío de hasta dos etapas (sistemas de bombas de calor 4C/2R, 3C/2R, 2C/2R, 2C/1R, 1C/1R).



Guía de cableado—equipo

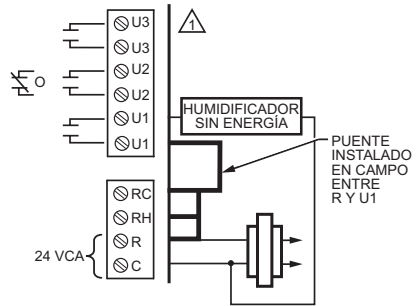
Con suministro de energía Sin suministro de energía

Conexión típica de humidificador con energía.



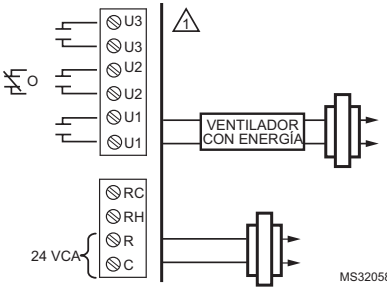
MS32056

Conexión típica de humidificador sin energía.



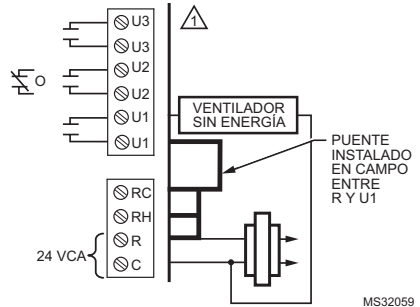
MS32057

Conexión típica de ventilación con energía.



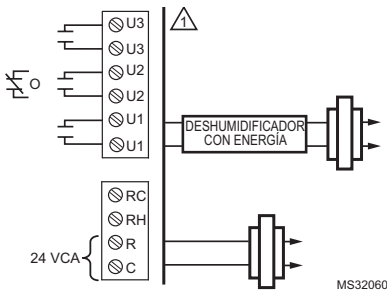
MS32058

Conexión típica de ventilación sin energía.



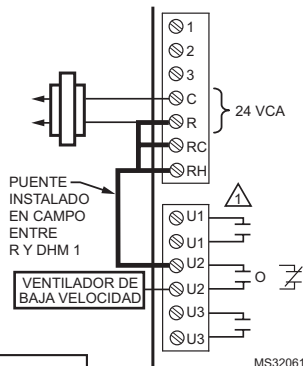
MS32059

Conexión típica de deshumidificador con energía (deshumidificador de hogares).



MS32060

Conexión típica del ventilador de velocidad variable para deshumidificación a baja velocidad.



MS32061

TECLA

PUEDE UTILIZAR CUALQUIER COMBINACIÓN DE RELÉS UNIVERSALES (U1, U2, U3).

= CONTACTOS SECOS, NORMALMENTE ABIERTOS

= CONTACTOS SECOS, NORMALMENTE ABIERTOS

MS28920

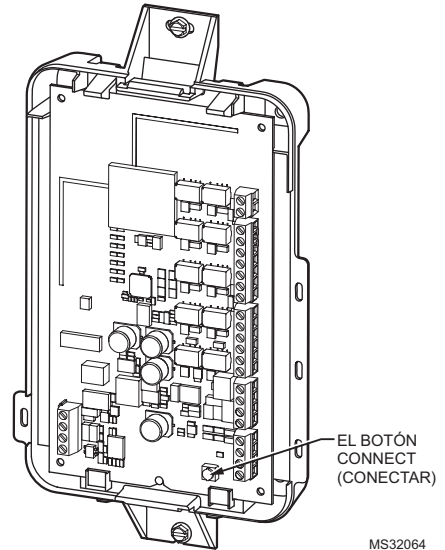
3 Registre el termostato

Navegue a través de la configuración del instalador hasta la pantalla de configuración inalámbrica:



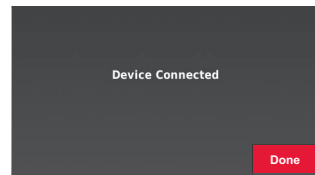
MCR32063

Presione el botón para conectar el módulo interfaz del equipo:



MS32064

Presione "Next" (siguiente) en el termostato. La pantalla mostrará "Device Connected" (dispositivo conectado) cuando el termostato y el módulo interfaz del equipo estén conectados.



MCR32065

4 Personalice el termostato (opciones del instalador)



MS29794

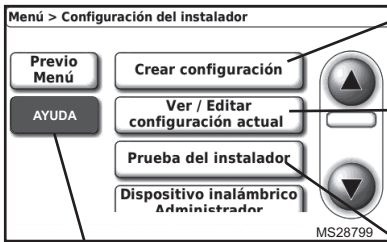
Presione **MENÚ**.



MS29862

Presione ▼ para desplazar hacia abajo, después presione **CONFIGURACIÓN DEL INSTALADOR**. Ingrese el código de seguridad cuando se lo pida.

El código de seguridad es el código de fecha del termostato (impreso en la parte posterior de la termostato). O presione **MENÚ > ESTATUS DEL EQUIPO** para encontrar el código.



MS28799

Presione **CREAR CONFIGURACIÓN** para ajustar todas las configuraciones del sistema una por una.

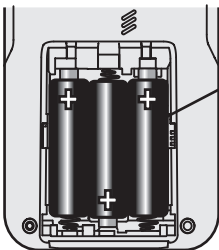
Presione **VER/EDITAR** para seleccionar una función específica y para realizar cambios rápidos. (Vea la lista completa de las configuraciones del sistema en las pág. 12-13.)

Presione **PRUEBA DEL INSTALADOR** para probar el sistema. Siempre se debe probar el sistema después de realizar cambios en las configuraciones.

i **Nota:** presione **AYUDA** para obtener más información sobre esta y otras opciones.

5 Instalar las baterías en los accesorios inalámbricos

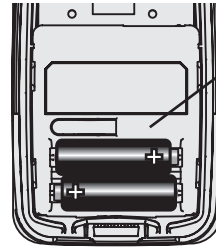
Control remoto (opcional)



M29863

Instale 3 baterías AA nuevas

Sensor de aire exterior (opcional)



M28800

Instale 2 baterías AA de litio nuevas

6 Accesorios inalámbricos para el termostato (opcional)

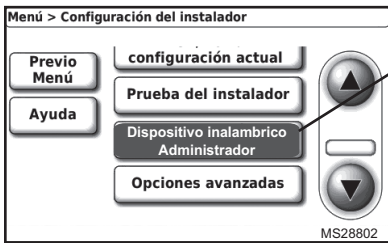


Presione **MENÚ**.

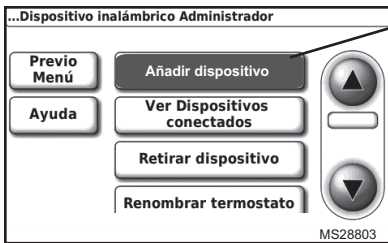


Presione ▼ para desplazar hacia abajo, después presione **CONFIGURACIÓN DEL INSTALADOR**. Ingrese el código de seguridad cuando se lo pida.

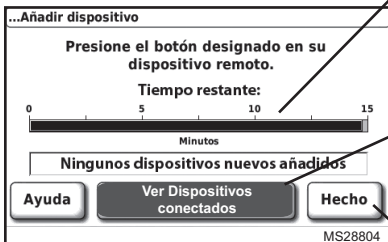
El código de seguridad es el código de fecha del termostato (impreso en la parte posterior de la termostato). O presione **MENÚ > ESTATUS DEL EQUIPO** para encontrar el código.



Presione ▼ para desplazar hacia abajo, después presione **DISPOSITIVO INALÁMBRICO ADMINISTRADOR**.



Presione **AÑADIR DISPOSITIVO** para accionar el temporizador, después presione el botón Connect (conectar) en los accesorios inalámbricos para conectarlos al termostato (vea la pág. siguiente).



El temporizador se restablecerá 15 minutos después de que se conecte cada accesorio. El termostato saldrá del modo de conexión después de 15 minutos si no hay actividad.

Presione **VER DISPOSITIVOS CONECTADOS** para comprobar que todos los accesorios inalámbricos se hayan conectado al termostato.

Presione **HECHO** cuando finalice.

i Nota: si instala más de un termostato, repita los pasos mencionados anteriormente y en la pág. 10 para cada termostato.

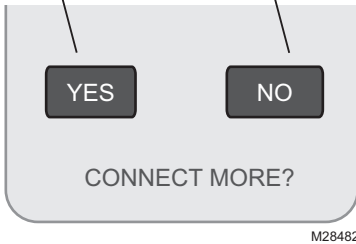
Si instala varios termostatos, debe presionar **HECHO** para salir del modo “Add Device” “Añadir Dispositivo” en cada termostato antes de conectarle los accesorios inalámbricos al próximo termostato.

Conecte el control remoto al termostato (opcional)



Presione para conectar a otro termostato

Presione para guardar y salir



- 1 Cerciórese que el termostato muestra la pantalla del temporizador "añadir dispositivo" (vea la pág. 9).
- 2 Presione **CONNECT** en el control remoto. Habrá una breve demora mientras el control remoto busca una señal procedente del termostato.
- 3 Cuando la pantalla muestre "Connected," presione **DONE**.
- 4 En la pantalla siguiente presione **NO** para guardar y salir. (O presione **YES** y repita los pasos del 1 al 4 para conectar otro termostato).



Es posible que el procedimiento de conexión en el control remoto se interrumpa si no presiona ninguna tecla en 30 minutos.

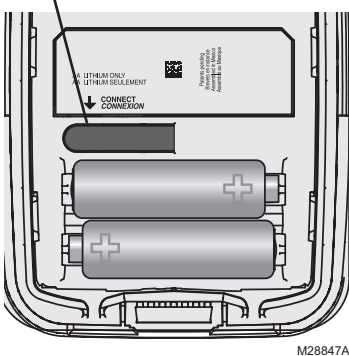
Para volver a comenzar, presione y mantenga presionado el espacio en blanco (o la flecha, si la hubiera) en la esquina inferior derecha de la pantalla hasta que esta se modifique (30 segundos, aprox.).



M28846

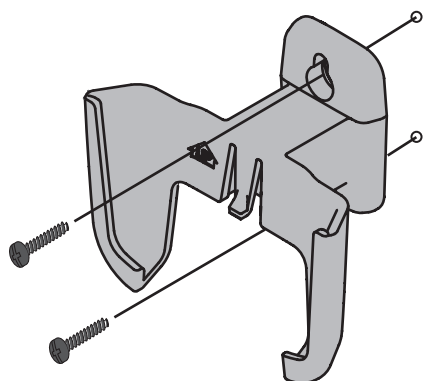
Conecte el sensor de aire exterior al termostato (opcional)

Presione y suelte



- 1 Cerciórese que el termostato muestra la pantalla del temporizador "añadir dispositivo" (vea la pág. 9).
- 2 Presione el botón **CONECTAR** en la parte posterior del sensor.
- 3 Controle el termostato para comprobar que el sensor exterior esté funcionando. Después de 15 segundos, aprox., el termostato debe mostrar la temperatura y la humedad exteriores.

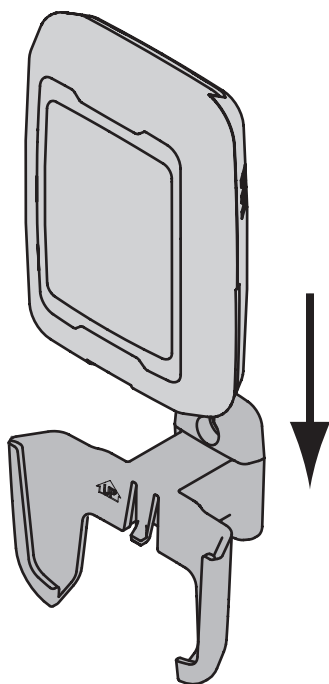
5 Instale el sensor exterior (opcional)



M28491

Instale el sensor en una pared exterior vertical, a 6 pulg. (15,24 cm) como mínimo, debajo de cualquier alero.

Elija una ubicación donde no haya luz solar directa.



M28849A

Coloque bien el sensor en el soporte, orientado en dirección opuesta a la pared.

Tablas de configuración del instalador

| Funciones de configuración | | (listado de las configuraciones de fábrica) |
|----------------------------|---|---|
| 100 | Idioma | Inglés |
| 110 | Número de zona | No zonificado |
| 112 | Nombre del dispositivo | Termostato |
| 130 | Año | 2011 |
| 140 | Mes | Junio |
| 150 | Día | 15 |
| 160 | Opciones de la configuración | Programable |
| 165 | Recuperar programación para ahorro de energía | No |
| 172 | Selección del sistema | Convencional |
| 173 | Tipo de bomba de calor | Aire a aire |
| 174 | Etapas del compresor | 1 |
| 175 | Control Serie 20 | No |
| 176 | Etapas de calor | 1 |
| 180 | Funcionamiento del ventilador | Sistema (gas/aceite/calor) |
| 190 | Válvula de inversión | O/B en Cool (frío) |
| 200 | Calefacción de reserva | Eléctrica |
| 210 | Combustible fósil externo | Sí |
| 220 | Frecuencia del ciclo 1 de la etapa del compresor | 3 |
| 230 | Frecuencia del ciclo 2 de la etapa del compresor | 3 |
| 240 | Frecuencia del ciclo 1 de la etapa de calor (Aux) | 5 |
| 250 | Frecuencia del ciclo 2 de la etapa de calor (Aux 2) | 5 |
| 260 | Frecuencia del ciclo 3 de la etapa de calor | 5 |
| 281 | Nivel inactivo de la luz de fondo de la pantalla | 5 (solo modelos a color) |
| 285 | Contraste de la pantalla | 5 (solo modelos en escalas de grises) |
| 300 | Cambio | Manual |
| 310 | Banda muerta | 2°F (-16,6°C) |
| 320 | Pantalla de la temperatura | Fahrenheit |
| 330 | Horario de verano Cambio automático: | On (encendido) |
| 342 | ¿Sensor de temperatura exterior? | No |
| 345 | Control de la bomba de calor combustible dual | Punto de equilibrio + caída |
| 347 | Temperatura de descenso | 2 |
| 346 | Temporizador de combustible dual | 60 minutos |
| 349 | Control de calor de respaldo | Confort |
| 350 | Bloqueo del compresor (punto de equilibrio) | Off (desactivado) |
| 360 | Bloqueo auxiliar | Off (desactivado) |
| 365 | ¿Sensor de temperatura de descarga? | No |
| 366 | Límite superior de descarga por zona | 160°F (71°C) |
| 367 | Límite inferior de descarga por zona | 40°F (4,5°C) |
| 368 | Límite superior de descarga por etapa | 110°F (43,5°C) |
| 369 | Límite inferior de descarga por etapa | 55°F (13°C) |
| 371 | Equipo de deshumidificación | Ninguno |
| 372 | Control de la humedad interior | Off (desactivado) |
| 374 | Acción del ventilador del humidificador | Humidificar solo con ventilador |
| 379 | Equipo de deshumidificación | Ninguno |
| 380 | Control de deshumidificación interior | Ninguno |
| 383 | Límite de enfriamiento máximo | 3°F (1,5°C). |
| 384 | Control del ventilador de deshumidificación | Activa el ventilador |


Tablas de configuración del instalador

| Funciones de configuración (listado de las configuraciones de fábrica) | | |
|---|---|---|
| 386 | Bloqueo de la deshumidificación para toda la casa | Off (apagado) |
| 390 | Modo de deshumidificación de casa vacante | Off (desactivado) |
| 391 | Ventilador en modo de deshumidificación de casa vacante | Automático |
| 392 | Temp. baja en modo de deshumidificación de casa vacante) | 76°F (24,5°C) |
| 393 | Temp. alta en modo deshumidificación de casa vacante | 85°F (29,5°C) |
| 394 | Deshumidificación en modo de casa vacante | 65% de humedad relativa |
| 400 | Control de ventilación | Off (apagado) |
| 401 | Número de dormitorios | 2 |
| 402 | Total de pies cuadrados de la casa | 1000 |
| 403 | CFM de ventilación | 160 |
| 404 | Límite máx. del porcentaje de ventilación | 50% |
| 405 | Acción de ventilación del ventilador | La ventilación hace que se encienda el ventilador |
| 406 | Ventilación en humedad alta | On (encendido) |
| 431 | Temperatura máxima de bloqueo de la ventilación | Ninguno |
| 432 | Temperatura mínima de bloqueo de la ventilación | Ninguno |
| 433 | Bloqueo de ventilación por humedad exterior alta | Off (apagado) |
| 434 | Bloqueo de ventilación por configuración de humedad exterior alta | 75° punto de rocío |
| 450 | Corte en la bobina A por temperatura baja | Ninguno |
| 500 | Recordatorio: filtro de la estufa | Off (desactivado) |
| 502 | Contador del tiempo de ejecución del filtro de la estufa | Cuenta calefacción y refrigeración |
| 510 | Recordatorio: almohadilla del humidificador | Off (desactivada) |
| 520 | Recordatorio: lámpara UV | Off (desactivada) |
| 525 | Recordatorios personalizados para el instalador | Añadir recordatorio al cliente |
| 530 | Adaptive Intelligent Recovery | On (activada) |
| 540 | Cantidad de períodos del programa | 4 |
| 580 | Tiempo mínimo de apagado del compresor | 5 minutos |
| 600 | Rango de temperatura máxima | 90°F (32°C) |
| 610 | Rango de temperatura mínima | 60°F (15,5°C) |
| 630 | Tiempo mínimo de apagado del compresor | Off (desactivado) |
| 640 | Formato de reloj | 12 horas |
| 650 | Tiempo extendido de encendido del ventilador (calefacción) | Off (desactivado) |
| 660 | Tiempo extendido de encendido del ventilador (refrigeración) | Off (desactivado) |
| 670 | Bloqueo del teclado | Desbloqueado |
| 680 | Control de la temperatura (calefacción) | Estándar |
| 690 | Control de la temperatura (refrigeración) | Estándar |
| 695 | Termine en etapa de calor alto | No |
| 696 | Termine en etapa de refrigeración alta | No |
| 700 | Desplazamiento de pantalla de la temperatura | Sin desplazamiento |
| 701 | Desplazamiento de pantalla de la humedad | Sin desplazamiento |
| 710 | RECUPERAR CONFIGURACIONES DE FÁBRICA | No: Opciones avanzadas |

Tablas de configuración del instalador

Información de contacto del cliente (opcional, pero recomendada)

| | | |
|------|--|------------------------------------|
| 1100 | Nombre del distribuidor | Nombre de su compañía |
| 1150 | Núm. de teléfono del distribuidor | Su contacto telefónico |
| 1200 | Dirección de correo electrónico del distribuidor | Su dirección de correo electrónico |
| 1250 | Sitio de Internet del distribuidor | Su sitio de Internet |
| 1300 | Mensaje del distribuidor | Editar |
| 1350 | Entrada de sensor S1 configurable | Ninguno |
| 1355 | Entrada de sensor S2 configurable | Ninguno |
| 1400 | Relé U1 configurable | Ninguno |
| 1405 | Relé U2 configurable | Ninguno |
| 1410 | Relé U3 configurable | Ninguno |
| 1500 | Posición de ventilador de baja velocidad | Normalmente cerrado |

 **Nota:** Todas las opciones del instalador, incluyendo el nombre del distribuidor, la información de contacto y el mensaje pueden configurarse como un archivo y descargarse a través del puerto USB del termostato.

Reemplazo de los componentes del sistema

Termostato

Después de instalar un termostato nuevo, se deben volver a conectar todos los accesorios al termostato nuevo, como se indica a continuación.

- 1 Instale y conecte el termostato nuevo (vea las pág. 3 a la 7)
- 2 Personalice el termostato nuevo (vea la pág. 8)
- 3 Conecte los accesorios inalámbricos(vea las pág. 9 a la 10)

En el control remoto:

- Presione y mantenga presionado el espacio en blanco (o la flecha, si la hubiera) en la esquina inferior derecha de la pantalla hasta que cambie (vea la pág. 10).
- Presione **QUITAR** y luego **SÍ** para desconectarlo del termostato anterior.
- Siga los procedimientos que figuran en la pág. 10 para conectar el termostato nuevo.

En el sensor de aire exterior:

- Presione **CONECTAR** para conectar el termostato nuevo (vea la pág. 10).
- 4 Presione **HECHO** en el termostato.

Control remoto y sensor exterior

Para reemplazar un control remoto o sensor de aire exterior, instale las baterías y siga los procedimientos de las pág. 9-10 para conectarlo al termostato.

Especificaciones y piezas de repuesto

Temperatura ambiente de funcionamiento

Termostato: 32 a 120° F (0 a 48,9°C)

Control remoto: 32 a 120° F (0 a 48,9°C)

Sensor de aire exterior: -40 a 140° F (-40 a 60°C)

EIM: -40 a 165° F (-40 a 73,9° C)

Sensor de aire de retorno: 0 a 200° F (-17,8 a 93,3° C)

Sensor de aire de descarga: 0 v 200° F (-17,8 a 93,3° C)

Humedad relativa de funcionamiento

Termostato: del 5% al 90% (sin condensación)

Control remoto: del 5% al 90% (sin condensación)

Sensor de aire exterior: del 0% al 100% (condensación)

EIM: del 5% al 95% (sin condensación)

Dimensiones físicas (altura, ancho, profundidad)

Termostato: 3-9/16 x 5-13/16 x 1-1/2 pulgadas (91 x 147 x 38 mm)

Sensor de aire exterior: 5 x 3-1/2 x 1-11/16 pulgadas (127 x 89 x 43 mm)

EIM: 9-5/16 x 4-13/16 x 1-19/32 pulgadas (91 x 147 x 38 mm)

Clasificación eléctrica

| Terminal | Voltaje (50/60 Hz) | Clasificación actual máx. |
|---------------------------------|--------------------|---------------------------|
| W - O/B | de 18 a 30 V CA | 1,00 A |
| Y (calefacción) | de 18 a 30 V CA | 1,00 A |
| G (ventilación) | de 18 a 30 V CA | 0,60 A |
| W2 - Aux 1 (calefacción) | de 18 a 30 V CA | 0,60 A |
| Y2 (calefacción) | de 18 a 30 V CA | 0,60 A |
| W3 - Aux 2 | de 18 a 30 V CA | 1,00 A |
| L (salida) | de 18 a 30 V CA | 0,60 A |
| U1 | 30 V CA máx. | 0,50 A |
| U1 | 30 V CA máx. | 0,50 A |
| U2 | 30 V CA máx. | 0,50 A |
| U2 | 30 V CA máx. | 0,50 A |
| U3 | 30 V CA máx. | 0,50 A |
| U3 | 30 V CA máx. | 0,50 A |

Accesorios y piezas de repuesto

| Pieza | Núm. de la pieza |
|---|------------------|
| Adaptador inalámbrico | THM4000R1000 |
| Control remoto | REM5000R1001 |
| Sensor de aire exterior | C7089R1013 |
| Placa protectora (cubre las marcas que dejó el termostato anterior) | 50028399-001 |

Información reguladora

Declaración de conformidad con las regulaciones FCC (Sección 15.19) (solo en los EE. UU.)

Este dispositivo cumple con la Sección 15 de las regulaciones FCC. El funcionamiento está sujeto a las dos condiciones siguientes:

- 1 Este dispositivo no debe causar interferencia perjudicial.
- 2 Este dispositivo deberá aceptar cualquier interferencia que se reciba, incluso la interferencia que pudiese causar el funcionamiento no deseado.

Advertencia de la FCC (Sección 15.21) (solo en los EE. UU.)

Los cambios o las modificaciones que no hayan sido expresamente aprobados por la parte responsable del cumplimiento de las regulaciones podrían anular la autoridad del usuario para hacer funcionar el equipo.

Declaración de la FCC sobre interferencias (Sección 15.105(b)) (solo en los EE. UU.)

Este equipo fue probado y cumple con los límites de los dispositivos digitales clase B, conforme a la Sección 15 de las regulaciones FCC. Estos límites están diseñados para ofrecer una protección razonable contra la interferencia perjudicial en una instalación residencial. Este equipo genera usos y puede irradiar energía de frecuencia de radio y, si no se instala y se utiliza según las instrucciones, puede producir una interferencia perjudicial en la comunicación radial. Sin embargo, no se garantiza que no habrá interferencia en una instalación particular. Si este equipo produce una interferencia perjudicial en la recepción televisiva o radial, lo cual puede determinarse al apagar y encender el equipo, se recomienda que el usuario intente corregir la interferencia con una o más de las siguientes medidas:

- Vuelva a orientar y ubicar la antena receptora.
- Aumente la distancia entre el equipo y el receptor.
- Conecte el equipo a un tomacorriente en un circuito diferente a aquel en el que está conectado el receptor.
- Consulte con su distribuidor o con un técnico experto en radio/televisión para recibir ayuda.

Termostatos y sensores exteriores

Para cumplir con los límites de exposición RF que establece la FCC y el Industry Canada para la población en general/exposición no controlada, la o las antenas usadas para estos transmisores deben instalarse a una distancia de, al menos, 20 cm de todas las personas, y no deben ubicarse ni utilizarse junto con otra antena o transmisor.

Control remoto

Este transmisor portátil y su antena cumplen con los límites de exposición RF que establece la FCC y el Industry Canada para la población en general/exposición no controlada.

Sección 7.1.5 de RSS-GEN

El funcionamiento está sujeto a las dos condiciones siguientes:

- 1 es posible que este dispositivo no cause interferencia y
- 2 este dispositivo debe aceptar cualquier interferencia recibida, incluso la que puede producir un funcionamiento no deseado del dispositivo.

Need Help?

For assistance with this product please visit <http://customer.honeywell.com>
or call Honeywell Customer Care toll-free at **1-800-468-1502**

Vous faut-il de l'aide ?

Pour obtenir de l'assistance concernant ce produit, visitez <http://customer.honeywell.com>
ou appelez gratuitement l'assistance client d'Honeywell au **1-800-468-1502**

¿Necesita ayuda?

Consulte sobre este producto en <http://customer.honeywell.com>
o llamando sin cargo a atención al cliente de Honeywell **1-800-468-1502**

Automation and Control Solutions

Honeywell International Inc.
1985 Douglas Drive North
Golden Valley, MN 55422

Honeywell Limited–Honeywell Limitée
35 Dynamic Drive
Toronto, Ontario M1V 4Z9
<http://yourhome.honeywell.com>

U.S. Patent Numbers 7,181,317 • 7,274,972 • 7,114,554 •
6,621,507 • 7,225,054 • 7,222,494 • 5,651,498 • 7,360,717 •
7,306,165 (and other patents pending)
® U.S. Registered Trademark.
© 2010 Honeywell International Inc.
69-2445EFS—01 M.S. 06-10
Printed in U.S.A.