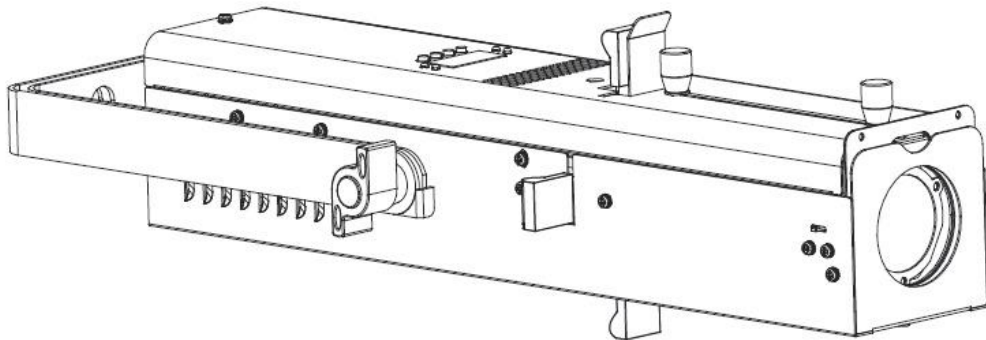




IKON PROFILE WW



User Instructions

A.D.J. Supply Europe B.V.
Junostraat 2
6468 EW Kerkrade
The Netherlands
www.americandj.eu

©2017 ADJ Products, LLC all rights reserved. Information, specifications, diagrams, images, and instructions herein are subject to change without notice. ADJ Products, LLC logo and identifying product names and numbers herein are trademarks of ADJ Products, LLC. Copyright protection claimed includes all forms and matters of copyrightable materials and information now allowed by statutory or judicial law or hereinafter granted. Product names used in this document may be trademarks or registered trademarks of their respective companies and are hereby acknowledged. All non-ADJ Products, LLC brands and product names are trademarks or registered trademarks of their respective companies.

ADJ Products, LLC and all affiliated companies hereby disclaim any and all liabilities for property, equipment, building, and electrical damages, injuries to any persons, and direct or indirect economic loss associated with the use or reliance of any information contained within this document, and/or as a result of the improper, unsafe, insufficient and negligent assembly, installation, rigging, and operation of this product..

Contents

INTRODUCTION.....	4
PRECAUTIONS	4
FIXTURE LAYOUT.....	5
SYSTEM MENU	6
SYSTEM MENU	6
DMX VALUES & TRAITS	8
CAD DRAWING	8
GOBO REPLACEMENT	8
ADDING A COLOR GEL.....	8
INSTALLATION.....	9
PHOTOMETRIC CHART	10
GOBOS	9
ADJ UC IR CONTROL.....	10
POWER CORD DAISY CHAIN.....	11
TROUBLE SHOOTING.....	11
FUSE REPLACEMENT	11
CLEANING.....	11
SPECIFICATIONS.....	12
ROHS - A great Contribution to the Conservation of Environment	13
WEEE – Waste of Electrical and Electronic Equipment	14
NOTES	15
NOTES	Fehler! Textmarke nicht definiert.

INTRODUCTION

To optimize the performance of this product, please read these operating instructions carefully to familiarize yourself with the basic operations of this unit. These instructions contain important safety information regarding the use and maintenance of this unit. Please keep this manual with the unit, for future reference.

Unpacking:

Thank you for purchasing the Ikon Profile WW by ADJ Products, LLC.

Every Ikon Profile WW has been thoroughly tested and has been shipped in perfect operating condition. Carefully check the shipping carton for damage that may have occurred during shipping. If the carton appears to be damaged, carefully inspect your unit for any damage and be sure all equipment necessary to operate the system has arrived intact. In the event damage has been found or parts are missing, please contact our toll free customer support number for further instructions. Please do not return the unit to your dealer without first contacting customer support.

Customer Support: If you encounter any problems, please contact your trusted American Audio shop. We also offer the possibility, to contact us directly: You can contact us via our website www.americandj.eu or via email: support@americandj.eu

Warning! To prevent or reduce the risk of electrical shock or fire, do not expose this unit to rain or moisture.

Caution! *This may cause eye damage. Avoid looking directly into the light source. Use sensible precaution.*

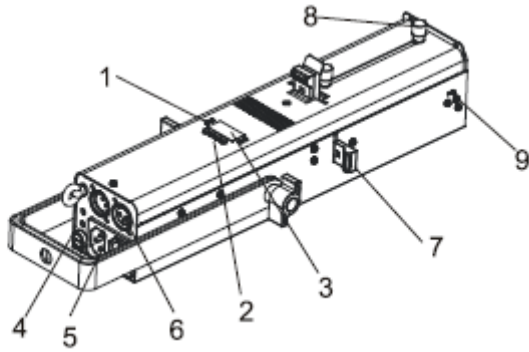
Caution! There are no user serviceable parts inside this unit. Do not attempt any repairs yourself, doing so will void your manufacturer's warranty. In the unlikely event your unit may require service please contact ADJ Products, LLC.

PLEASE do not discard the shipping carton in the trash. Please recycle when ever possible..

PRECAUTIONS

Safety Issue: This unit may blow the fuse if the maximum allotted load of 2 amps is reached. If the fuse needs replacement, please see fuse replacement on page 10.

- Be sure the local power outlet match the required voltage of the unit.
- Disconnect from main power before making any type of connection.
- Do not remove the cover under any conditions. There are no user serviceable parts inside.
- Always be sure to mount this unit in an area that will allow proper ventilation. Allow about 6" (15cm) between this device and a wall.
- To reduce the risk of electrical shock or fire, do not expose this unit rain or moisture
- This unit is intended for indoor use only, use of this product outdoors voids all warranties.
- During long periods of non-use, disconnect the unit's main power.
- Always mount this unit in safe and stable matter.
- Power-Cord Protection - Power-supply cords should be routed so that they are not likely to be walked on or pinched by items placed upon or against them, paying particular attention to cords at plugs, convenience receptacles, and the point where they exit from the fixture. Do not attempt to remove or break off the ground prong from the electrical cord. This prong is used to reduce the risk of electrical shock and fire in case of an internal short.
- The fixture should be serviced by qualified service personnel when:
 - A. The power cord or the plug has been damaged.
 - B. Objects have fallen, or liquid has been spilled into the appliance.
 - C. The appliance has been exposed to rain or water.
 - D. The fixture does not appear to operate normally or exhibits a marked change in performance.



1. LED:

DMX	ON	DMX input present
MASTER	ON	Master Mode
SLAVE	ON	Slave Mode

2. Button:

MENU	To select the programming functions
UP	To go forward in the selected functions
DOWN	To go backward in the selected functions
ENTER	To confirm the selected functions

3. Fuse (T 2A): Protect the unit from damage of over current

4. Display: To show the various menus and the selected function

5. Power In/Out: Power cable input/output connections

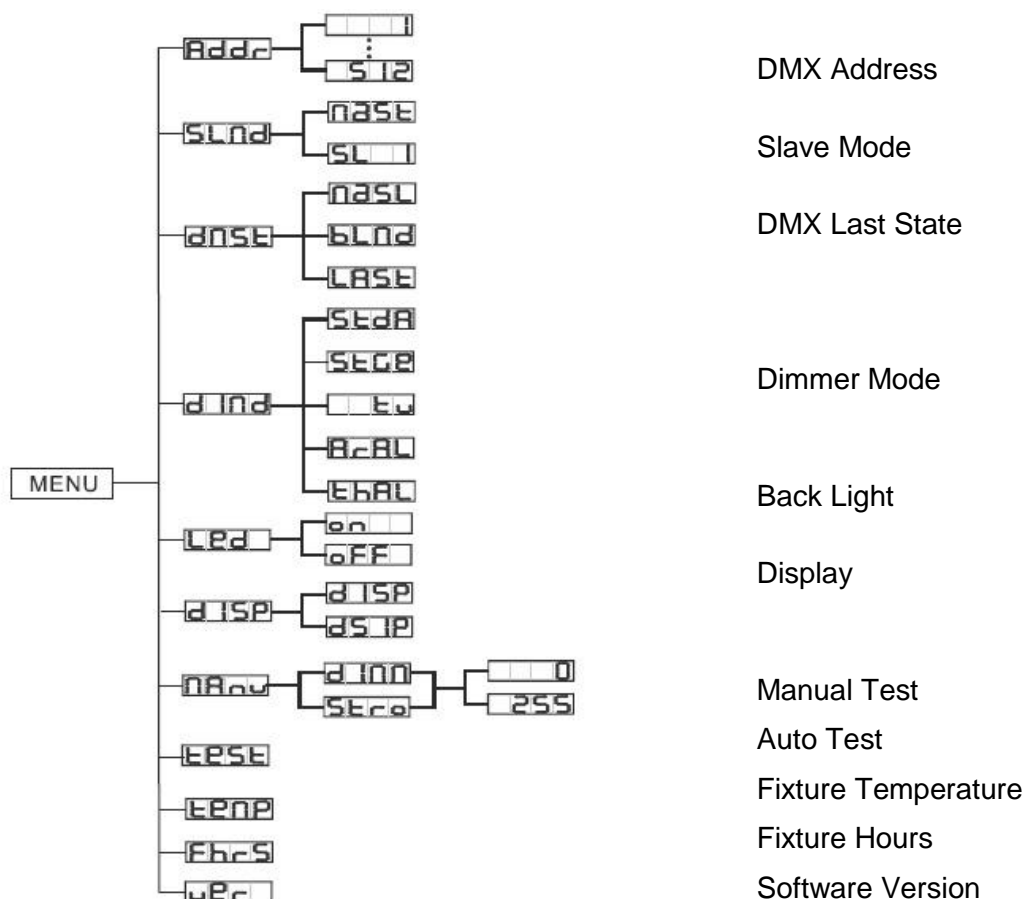
6. DMX In/Out: 3-pin XLR connections for DMX 512 operation

7. Flags: Use these to adjust the framing of your gobo

8. Knobs: Move to adjust the beam angle from 15 to 40 degree and to focus the gobo

9. Spring: To lock the color gel frame into place

SYSTEM MENU



SYSTEM MENU

On-Board System Menu. The Ikon Profile WW comes with an easy to navigate system menu. This next section will detail the functions of each command in the system menu. ***Please read the next section thoroughly!***

To access the main menu press the MENU button. Press the UP or DOWN buttons until you reach function you wish to change. When you reach the function you wish to change press the enter button. When a function is selected use the UP or Down buttons to change the function settings. Once your changes are made press the enter button, and then press and hold the MENU button for at least three seconds to confirm and lock the change into the system memory. If the menu button is not pressed and held within eight seconds the fixture will automatically confirm and lock the change into the system memory. To exit without making any changes press the MENU button.

ADDR - DMX Address Setting.

1. Press the MENU button until “**ADDR**” is displayed, press ENTER.
2. The current DMX address will now be displayed and flashing. Press the UP or DOWN buttons to find your desired address. Press ENTER to set your desired DMX address.

NOTE: If after you connect your DMX controller the unit does not fall into DMX mode, press and hold the MENU button for at least 3 seconds.

SLND - This will let you set unit as a master or slave in a master/slave configuration.

1. Press the MENU button until “**SLND**” is displayed, press ENTER. “**MAST**” or “**SL 1**” will be displayed.
2. Press the UP or DOWN buttons until your desired setting is displayed, press ENTER to confirm and exit.

DNST - This mode can be used as a precaution mode, that in case the DMX signal is lost, interrupted, or power is lost, the operating mode chosen in the setup is the running mode the fixture will go into when the DMX signal is lost. You can also set this as the operating mode you would like the unit to return to when power is applied.

1. Press the MENU button until “DNST” is displayed, and either “MASL”, “BLND”, or “LAST” will be displayed beneath.
2. Press ENTER and the bottom choice will begin to flash. Use the UP or DOWN buttons to choose an operating mode you would like the unit to start up in when power is applied or the DMX signal is lost.
 - **MASL** (Master Slave) - If the DMX signal is lost or power is applied, the unit will automatically go into Master Slave mode and run a built-in show.
 - **BLND** (Blackout) - If the DMX signal is lost or interrupted, the unit will automatically go into stand by mode.
 - **LAST** - If the DMX signal is lost the fixture will stay in the last DMX setting. If power is applied and this mode is set, the unit will automatically go into the last DMX set up.
3. Press ENTER to confirm your desired set up.

DIND - This will let select your desired dimmer curve.

1. Press the MENU button until “DIND” is displayed, and press ENTER. 1 of 5 dimmer curves will be displayed. “STDA” (standard), “STGE” (stage), “TV” (TV), “ARAL” (Architectural), or “THAL” (Theatre). See the dimmer curve chart on page 10 for more info.
2. Press the UP or DOWN buttons to find your desired dimmer curve and press ENTER to confirm and exit

LED - With this function the LED display will turn off after 2 minutes.

1. Press the MENU button until “LED” is displayed, press ENTER.
2. The display will show either “ON” or “OFF”. Press the UP or DOWN buttons to select “ON” to keep the LED display on at all times, or “OFF” to allow the LED display to turn off after 2 minutes. Press any button to turn on the LED display again.
3. Press ENTER to confirm and exit.

DISP - This function will reverse the display 180°.

1. Press the MENU button until “DISP” is displayed, press ENTER.
2. Press the UP button to select “DISP” to activate this function, or “DSIP” to deactivate this function.
3. Press ENTER to confirm.

MANU - In this submenu you are able to test the dimmer, and strobe.

1. Press the MENU button until “MANU” is displayed, press ENTER.
2. Use the UP and DOWN buttons to scroll through the various functions able for testing. Once you have found your desired function you would like to test press ENTER.
3. After you have pressed ENTER, use the UP and DOWN buttons to adjust the values and test the function. To exit press the MENU button.

TEST - This function will run a self test program.

1. Press the MENU button until “TEST” is displayed, press ENTER.
2. The fixture will now run a self test.

TEMP - With this function you can check the temperature of the fixture.

1. Press the MENU button until “TEMP” is displayed, press ENTER.
2. The fixture temperature will now be displayed. Press MENU to exit.

FHRS - With this function you can display the running time of the unit.

1. Press the MENU button until “FHRS” is displayed, press ENTER.
2. The display shows the running time of the unit. Press MENU to exit.

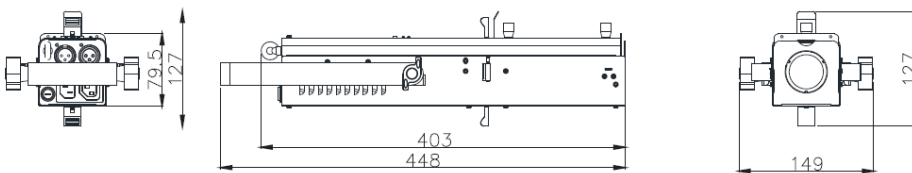
VER - Use this function to display the Software version of the unit.

1. Press the MENU button until “VER” is displayed, press ENTER.
2. The display will show the software version.

DMX VALUES & TRAITS

Channel	Value	Function
1	0 - 7	STROBING/SHUTTER CLOSED
	8 - 15	OPEN
	16 - 131	STROBE SLOW - FAST
	132 - 139	OPEN
	140 - 181	FAST CLOSE - SLOW OPEN
	182 - 189	OPEN
	190 - 231	SLOW CLOSE - FAST OPEN
	232 - 239	OPEN
	240 - 247	RANDOM STROBE
	248 - 255	OPEN
2	0 - 255	MASTER DIMMER 0% - 100%
3	0 - 20	DIMMER MODE STANDARD
	21 - 40	STAGE
	41 - 60	TV
	61 - 80	ARCHITECTURAL
	81 - 100	THEATRE
	101 - 255	DEFAULT DIMMER SETTING

CAD DRAWING



GOBO REPLACEMENT

The Ikon Profile WW gobo can be interchanged at any time and allows you to customize your system.

To replace gobo;

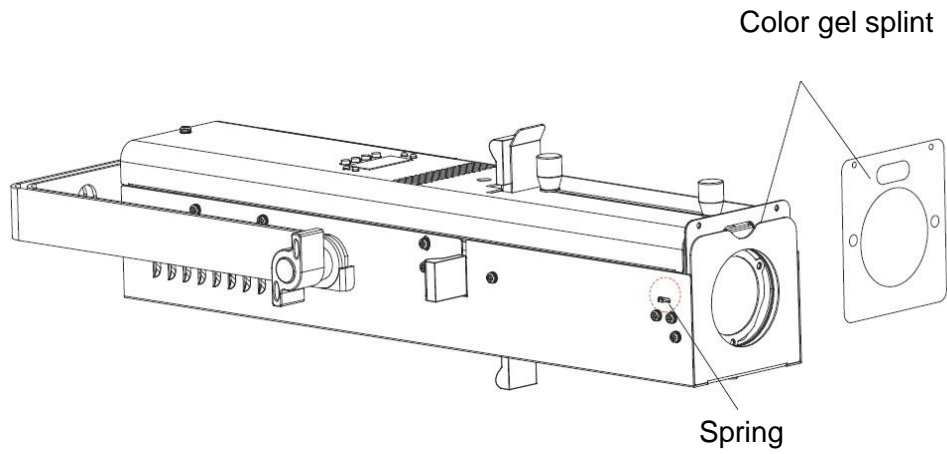
1. Gently slide the gobo housing out of the top of unit. The gobo housing is located in front of the top flag.
 2. Once the gobo housing has been removed, remove the retaining ring that holds the gobo in. This can easily be done using needle nose pliers.
 3. Remove and replace the gobo with your desired replacement.
- Reinsert the retainer ring, and make sure the ring rests firmly against the gobo.
4. Slide the gobo assembly back into place.

ADDING A COLOR GEL

A color gel (not included) can be added to the front of the Ikon Profile WW and can be interchanged at any time. This allows you to customize your system.

To add a color gel;

1. Locate the color gel frame at the front of the unit. Slide the spring lever back and slide the gel frame out of the holder.
2. Once the gel frame has been removed slide your desired color gel into the middle of the frame.
3. Slide the spring back and slide the gel frame into place.



INSTALLATION

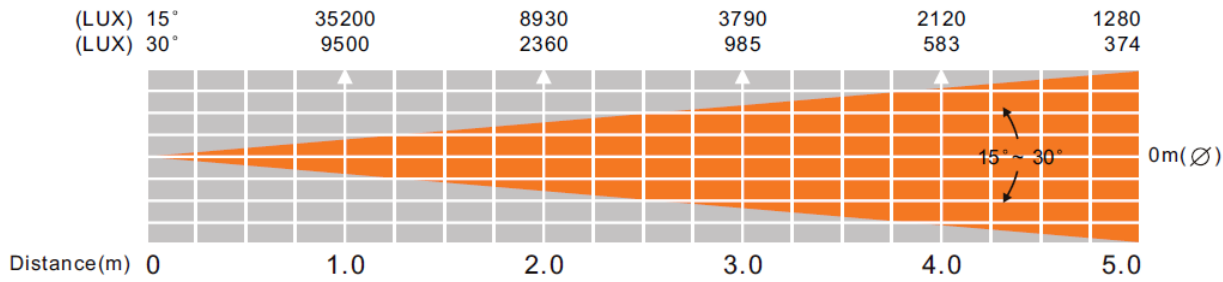
The unit should be mounted using a mounting clamp (not provided), affixing it to the mounting bracket that is provided with the unit.

Always ensure that the unit is firmly fixed to avoid vibration and slipping while operating. Always ensure that the structure to which you are attaching the unit is secure and is able to support a weight of 10 times the unit's weight. Also, always use a safety cable that can hold 12 times the weight of the unit when installing the fixture. The equipment must be installed by a professional, and it must be installed in a place where it is out of the reach of people's grasp.

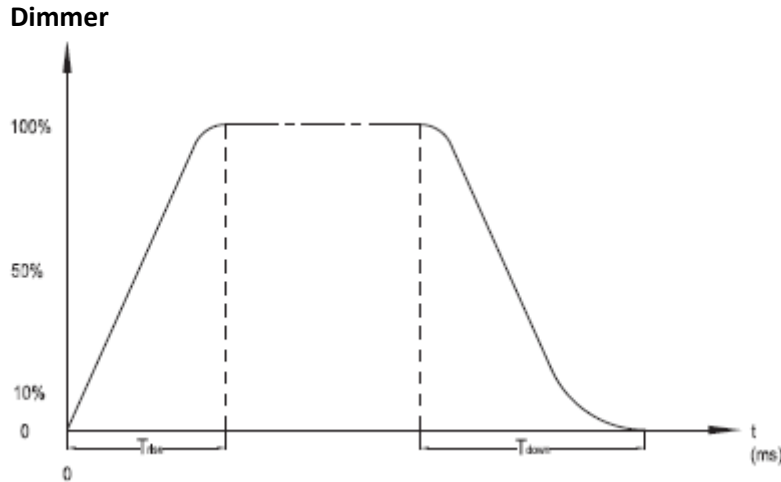
GOBOS



PHOTOMETRIC CHART



DIMMER CURVE CHART



Ramp Effect	OS (FadeTime)		IS (FadeTime)	
	T rise (ms)	Tdown (ms)	T rise (ms)	Tdown (ms)
Standard	0	0	0	0
Stage	780	1100	1540	1660
TV	1180	1520	1860	1940
Architectural	1380	1730	2040	2120
Theatre	1580	1940	2230	2280

ADJ UC IR CONTROL

The **UC IR (sold separately)** infrared remote gives you control of various functions (See below). To control the fixture you must aim the remote at the front of the fixture and be no more than 30 feet away.

The **Airstream IR (sold separately)** remote transmitter plugs into the headphone jack of your iOS phone or tablet. To control your IR fixture, download the free Airstream IR app from the app store. After downloading the app, plug the IR transmitter into the headphone jack of your iOS phone or tablet. Raise the volume to the maximum level on your iOS phone or tablet and aim the transmitter at the fixture sensor and be no more than 15 feet away. The app comes with 3 pages of control depending on the fixture you are using. Please see below for IR functions including the corresponding app page.

Works with App page 1.

STAND BY - Pressing this button will blackout the fixture.

FULL ON - This button is invalid for this fixture.

STROBE - Press and hold this button to activate strobing.

FADE/GOBO - This button is invalid for this fixture.

“DIMMER +” and “DIMMER -” - Use these buttons to adjust the output intensity.

1-9 - These buttons are invalid for this fixture.

SOUND ON & OFF - These buttons are invalid for this fixture.

SHOW - This button is invalid for this fixture.

POWER CORD DAISY CHAIN

With this feature you can connect the fixtures to one another using the IEC input and output sockets. The quantity that can be connected is 16 fixtures maximum @ 120V and 27 fixtures maximum @ 230V. After the maximum fixture's is reached you will need to use a new power outlet. They must be the same fixtures.

DO NOT mix fixtures.

TROUBLE SHOOTING

No light output from the unit;

1. Be sure the fuse has not popped. The fuse is located on the rear panel.
2. Be sure the 4 flags are open and not closed.

FUSE REPLACEMENT

First unplug the power. The fuse holder is located next to the I.E.C power cord output. Using a phillips-head screw driver unscrew the fuse holder. Remove the bad fuse and replace with a new one.

CLEANING

Fixture Cleaning:

Due to fog residue, smoke, and dust cleaning the internal and external optical lenses should be carried out periodically to optimize light output. Cleaning frequency depends on the environment in which the fixture operates (I.e. smoke, fog residue, dust, dew). In heavy club use we recommend cleaning on a monthly basis. Periodic cleaning will ensure longevity, and crisp output.

1. Use normal glass cleaner and a soft cloth to wipe down the outside casing.
2. Clean the external optics with glass cleaner and a soft cloth every 20 days.
3. Clean the internal optics with glass cleaner and a soft cloth every 30-60 days.
4. Always be sure to dry all parts completely before plugging the unit back in.

Model:	<i>Ikon Profile WW</i>
VOLTAGE:	100-240V, 50/60Hz
LED:	1 x 32W Warm White LED
POWER CONSUMPTION:	44W
POWER CORD DAISY CHAIN:	16 Fixtures Max. (120V) 27 Fixtures Max. (230V)
COLORS:	White
BEAM ANGLE:	15 - 30 Degrees
DIMENSIONS:	16"(L) x 6"(W) x 9"(H) 408 x 150 x 226mm
WEIGHT	6 Lbs./ 2.7 Kgs
GOBOS:	Size: 26.8mm Viewable: 24mm
FUSE:	2 Amp
DUTY CYCLE:	None

Dear Customer,

The European Union has adopted a directive on the restriction / prohibition of the use of hazardous substances. This directive, referred to as ROHS, is a frequently discussed topic in the electronic industry.

It restricts, among other things, six materials: Lead (Pb), Mercury (Hg), hexavalent chromium (CR VI), cadmium (Cd), polybrominated biphenyls as flame retardant (PBB), polybrominated diphenyl, also a flame retardant (PBDE). The directive applies to nearly all electronic and electrical devices whose mode of operation involves electric or electromagnetic fields – in short: each kind of electronics we have around us in our households or at work.

As manufacturers of products of the brands of AMERICAN AUDIO, AMERICAN DJ, ELATION Professional and ACCLAIM Lighting, we are obligated to comply with the RoHS directive. Therefore, as early as two years prior to the directive coming into force, we started our search for alternative environmentally friendly materials and manufacturing processes.

Well before the RoHS directive took effect, all of our products were manufactured meeting the standards of the European Union. With regular audits and material tests we can still assure that the components we use are always RoHS-compliant and that the manufacturing process, as far as the state of technology allows, is environmentally friendly.

The ROHS directive is an important step to the protection of our environment. We, as manufactures, feel obligated to make our contribution in this respect.

WEEE – Waste of Electrical and Electronic Equipment

Every year thousands of tonnes of electronic components, which are harmful to the environment, end up at the waste disposals around the world. To ensure the best possible disposal or recovery of electronic components, the European Union has adopted the WEEE directive.

The WEEE-system (Waste of Electrical and Electronic Equipment) can be compared with the system of the “Green Spot”, which has been in use for several years. The manufactures have to make their contribution to the utilization of waste at the time they release the product. Money resources obtained by doing so will be applied to develop a common system of waste management. Thereby we can ensure professional and environmentally friendly scraping and recycling program.

As manufactures, we are part of the German system of EAR and we make our contribution towards it.

(Registration in Germany: DE41027552)

That means that products of AMERICAN DJ and AMERICAN AUDIO can be left in the collection points free of charge and they will be used in the recycling program. Products of ELATION Professional, which are used only by professionals, shall be handled by us. Please send Elation products directly to us at the end of their lifetime so that we can professionally dispose of them.

Like the above ROHS, the WEEE directive is an important contribution to the environment protection and we are glad to help to clean the environment with this disposal system.

We are happy to answer any of your inquiries and welcome your suggestions at: info@americandj.eu

ADJ Products, LLC
6122 S. Eastern Ave. Los Angeles, CA 90040 USA
Tel: 323-582-2650 / Fax: 323-725-6100
Web: www.adj.com / E-mail: info@americandj.com

Suivez-nous sur:



facebook.com/americandj
twitter.com/americandj
youtube.com/americandj

A.D.J. Supply Europe B.V.
Junostraat 2
6468 EW Kerkrade
The Netherlands
Tel: +31 45 546 85 00 / Fax : +31 45 546 85 99 Web :
www.americandj.eu / E-mail : service@adjgroup.eu