

ADCRAFT®



IDW-940W

Infrared Display Warmer

This manual contains important information regarding your *Adcraft* unit. Please read the manual thoroughly prior to equipment set-up, operation and maintenance. Failure to comply with regular maintenance guidelines outlined in this manual may void the warranty.

PLEASE READ!!!

WARNINGS

- Do not touch any hot surfaces
- Plug only into a 3-hole grounded electrical outlet
- Do not immerse unit, cord or plug in liquid at any time
- Unplug cord from outlet when not in use and before cleaning
- Do not operate unattended
- Do not use this unit for anything other than intended use
- Do not use outdoors
- Always use on a firm, dry and level surface
- Do not use if unit has a damaged cord or plug, in the event the appliance malfunctions, or has been damaged in any manner
- Keep children and animals away from unit
- Any incorrect installation, alterations, adjustments and/or improper maintenance can lead to property loss and injury. All repairs should be done by authorized professionals only
- Ensure that the designated power supply is adequate for continual usage and the voltage is correct

TO USE

1. Place unit on a firm and level surface.
2. Plug the unit into a grounded 3-prong 120V outlet.
3. Place food into the food pan located in the base of the unit. A perforated liner is included to allow for proper drainage of oil from food.
4. Set "HEATING" switch to on position. This will turn the heating elements on and start to warm up the food in the food pan located in the base of the unit. Please note the maximum temperature that the hot zone area should reach is 122°F (50°C).
5. Set "LIGHT" switch to on position to turn on display lamp.

CLEANING – NOTE: To maintain cleanliness and increase service life, the oven should be cleaned daily. Do not immerse the unit in water or any other liquid. If liquid enters the electrical compartment it may cause a short circuit or electrical shock

- Disconnect the power cord from the electrical outlet
- Allow unit to cool down
- Remove food pan daily to clean. Separate perforated liner and food pan for best results
- Clean unit with a damp cloth using a mild detergent
- Do not clean with a water jet stream
- To avoid damage, do not use abrasive cleaners or scouring pads
- If soap or chemical cleaners are used, be sure they are completely rinsed away with clear water immediately after cleaning. Chemical residue could damage or corrode the surfaces of the unit.

SPECIFICATIONS

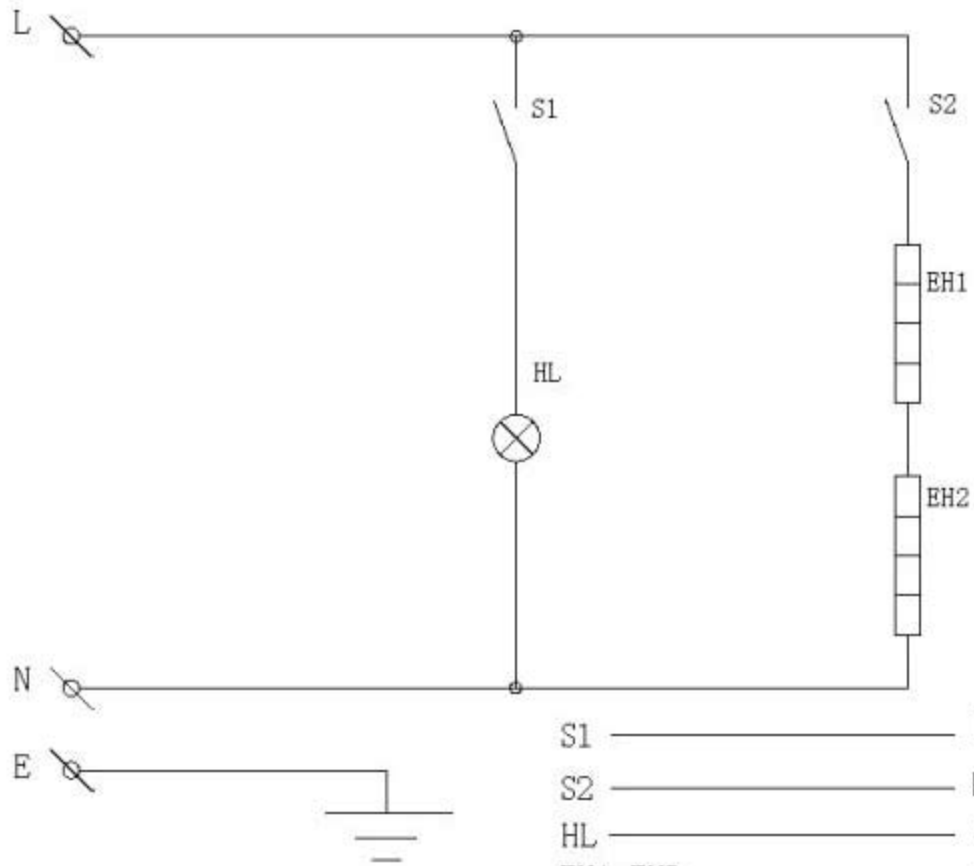
Item Number	Description	Voltage	Wattage	Amps	Net Weight	Dimensions
IDW-940W	Infrared Display Warmer	120V	940W	7.8	15.5 lbs	13"x22.25"x19.75"

Thank you for your purchase

Admiral Craft Equipment Corp.
940 South Oyster Bay Rd.
Hicksville, NY 11801
P: 1-800-223-7750
F: 1-800-447-7751
www.admiralcraft.com

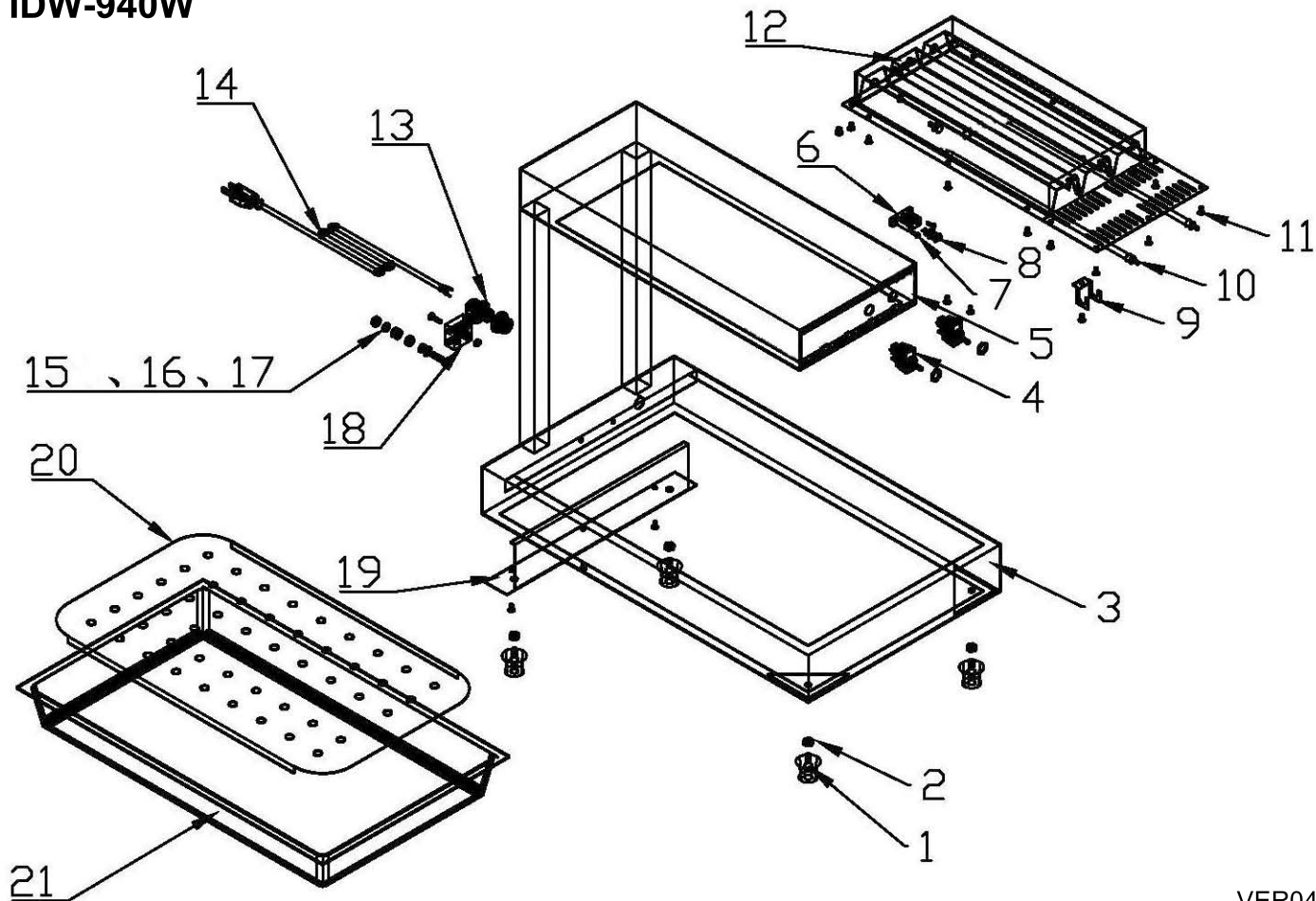
IDW-940W

Circuit Diagram



- S1 _____ Light switch
- S2 _____ Heat switch
- HL _____ Light
- EH1. EH2 _____ Heating element

IDW-940W



IDW-940W - Infrared Display Warmer

No.	Description	QTY
1	Rubber Foot	4
2	Screw for Foot	4
3	Base body assembly	1
4	Switch	2
5	Faceplate	1
6	Lamp base	1
7	Screw for Lamp	2
8	Lamp	1
9	Plate to fix heating element	1
10	Heating element	2
11	Screw	1
12	Heat insulation in top box	4
13	Power cord sheath	1
14	Power cord with plug	1
15	Hexagon nut	1
16	Nut	3
17	Flat washer	2
18	Porcelain terminal	1
19	Plate to isolate the electric parts	1
20	Preforated Pan Liner	1

ACE Equipment One Year Limited Warranty

Admiral Craft Equipment Corp. (ACE) warrants its equipment against defects in materials and workmanship, subject to the following conditions:

ACE Equipment is warranted for one year, effective from the date of purchase by the original owner. A copy of the original receipt or other proof of purchase is required to obtain warranty coverage. This warranty applies to the original owner only, and is not assignable.

Should any product fail to function in its intended manner under normal use within the limits defined in this warranty, at ACE's discretion, such product will be repaired, replaced with a refurbished unit, or replaced with a new unit by ACE, after defective unit has been inspected and defect has been confirmed. ACE does not assume any liability for extended delays in replacing any item beyond its control. This warranty does not apply to rubber and non-metallic synthetic parts that may need to be replaced due to normal usage, wear or lack of preventative maintenance.

This warranty covers products shipped into the 48 contiguous United States, Hawaii, and metropolitan areas of Alaska and Canada. Warranty coverage on products used outside the 48 contiguous United States, Hawaii and metropolitan areas of Alaska and Canada may vary. Contact ACE for details at 1-800-223-7750

The following conditions are not covered by warranty:

- Equipment failure relating to improper installation, improper utility connection or supply and problems due to improper ventilation.
- Equipment that has not properly been maintained, damage from improper cleaning, and water damage to controls.
- Equipment that has not been used in an appropriate manner, or has been subject to misuse, neglect, abuse, accident, alteration, negligence, damage during transit, delivery or installation, fire, flood, riot, or act of God.
- Equipment that has the model number or serial number removed or altered.
- Equipment on which the security seal has been broken.

If the equipment has been changed, altered, modified, or repaired without express written permission from ACE, then the manufacturer shall not be liable for any damages to any person or to any property, which may result from the use of this equipment thereafter.

This equipment is intended for commercial use only and this warranty is void if equipment is used in other than a commercial application.

For warranty and non-warranty related issues, technical support, purchase replacement parts and warranty registration visit www.admiralcraft.com. Please have your model number, serial number and proof of purchase ready. It is not necessary to contact the place where you originally purchased your product from.

“THE FOREGOING WARRANTY IS IN LIEU OF ANY AND ALL WARRANTIES EXPRESSED OR IMPLIED INCLUDING ANY IMPLIED WARRANTY OF MERCHANTABILITY OR FITNESS FOR PARTICULAR PURPOSES AND CONSTITUTES THE ENTIRE LIABILITY OF ACE. IN NO EVENT DOES THE LIMITED WARRANTY EXTEND BEYOND THE TERMS STATED HEREIN.”