

CAUTION
RISK OF ELECTRIC SHOCK
DO NOT OPEN
RISQUE DE CHOC ELECTRIQUE
NE PAS OUVRIR

CAUTION: TO PREVENT ELECTRIC SHOCK DO NOT USE THIS (POLARIZED) PLUG WITH AN EXTENSION CORD, RECEPTACLE, OR OTHER OUTLET UNLESS THE BLADES CAN BE FULLY INSERTED TO PREVENT BLADE EXPOSURE.

ATTENTION: POUR PRÉVENIR LES CHOCS ÉLECTRIQUES NE PAS UTILISER CETTE FICHE POLARISÉE AVEC UN PROLONGATEUR, UNE PRISE DE COURANT, OU UNE AUTRE SORTIE DE COURANT SAUF SI LES LAMES PEUVENT ÊTRE INSÉRÉES À FOND SANS EN LAISSER AUCUNE PARTIE À DÉCOUVERT.

The lightning flash with arrowhead symbol, within an equilateral triangle, is intended to alert the user of the presence of uninsulated "dangerous voltage" within the product's enclosure: that may be of sufficient magnitude to constitute a risk of electric shock to person.

The exclamation point within an equilateral triangle is intended to alert the user of the presence of important operating and maintenance (servicing) instructions in the literature accompanying the appliance.

WARNING: TO PREVENT FIRE OR SHOCK HAZARD, DO NOT EXPOSE THIS APPLIANCE TO RAIN OR MOISTURE.



Digital Alarm Clock

Model Nos: 3251, 4571 - 4574

OWNER'S MANUAL

© 2004 Advance Clock Co., Ltd.



Warning: Changes or modifications to this unit not expressly approved by the party responsible for compliance could void the user's authority to operate the equipment.

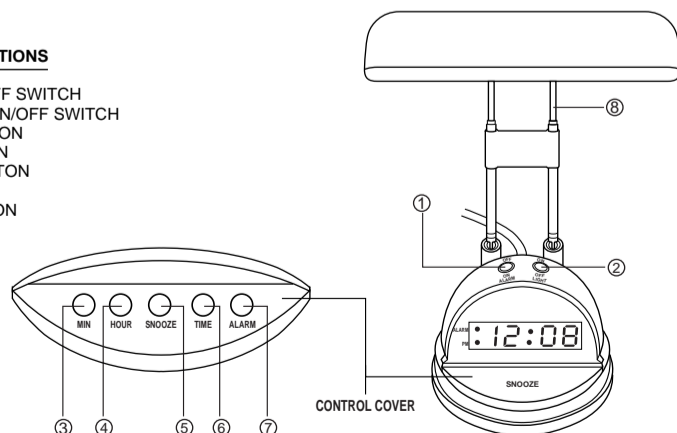
NOTE: This equipment has been tested and found to comply with the limits for a Class B ISM equipment, pursuant to Part 18 of the FCC Rules. These limits are designed to provide reasonable protection against harmful interference in a residential installation. This equipment generates, uses, and can radiate radio frequency energy and, if not installed and used in accordance with the instructions, may cause harmful interference to radio communications. However, there is no guarantee that interference will not occur in a particular installation. If this equipment does cause harmful interference to radio or television reception, which can be determined by turning the equipment off and on, the user is encouraged to try to correct the interference by one or more of the following measures:

- Reorient or relocate the receiving antenna.
- Increase the separation between the equipment and receiver.
- Connect the equipment into an outlet on a circuit different from that to which the receiver is connected.
- Consult the dealer or an experienced radio TV technician for help.

Note: This product may cause interference to radio equipment and should not be installed near maritime safety communications equipment or other critical navigation or communication equipment operating between 0.45-30 MHz.

CONTROL LOCATIONS

1. ALARM ON/OFF SWITCH
2. DESK LAMP ON/OFF SWITCH
3. MINUTE BUTTON
4. HOUR BUTTON
5. SNOOZE BUTTON
6. TIME BUTTON
7. ALARM BUTTON
8. ARMS



POWER SUPPLY

Your clock is designed to operate on alternating 120 Volts 60 Hz power supply. Fluorescent lamp type 6" inch F4T5D.

P.M. INDICATOR

A glowing dot appears in the lower left hand corner of the display indicating that the time shown is P.M.

ALARM ON INDICATOR

A glowing dot appears in the upper left hand corner of the display indicating that the alarm has been set.

SETTING THE TIME

Move the ALARM ON/OFF switch (1) to the "OFF" position. To set the time, press and hold the TIME button (6) and HOUR button (4) to advance the hour display. Then press and hold the TIME button (6) and the MINUTE button (3) to advance the minutes until the correct time is displayed. Be sure to set it correctly in the AM or PM mode. The PM indicator will be "ON" when the clock is reading PM time and "OFF" when reading AM time.

SETTING THE ALARM

Move the ALARM ON/OFF switch (1) to the "OFF" position. To set the alarm, press and hold the ALARM button (7) and the HOUR button (4) to advance the hour display. Then press and hold the ALARM button (7) and the MINUTE button (3) until the correct alarm time is displayed. Be sure to set it correctly in the AM or PM mode.

ALARM OPERATION

Move the ALARM ON/OFF switch (1) to "ON" position. The alarm ON indicator will light and the alarm will sound at the preset alarm time. To deactivate the alarm, move ALARM ON/OFF switch (1) to the "OFF" position.

SNOOZE REPEAT ALARM OPERATION

When the alarm sounds, simply press the control cover or the SNOOZE button (5) to deactivate the alarm. The alarm will activate again after 9 minutes. To completely deactivate the alarm, move the ALARM ON/OFF switch (1) to the "OFF" position.

DESK LAMP FUNCTION

Move the LIGHT ON/OFF switch (2) to the "ON" position. The fluorescent lamp will illuminate. To switch off the light, turn off LIGHT ON/OFF switch (2) to the "OFF" position. Extend and rotate the ARMS (8) to the desired position.

BATTERY BACK UP

In the event of a power failure, this unit will automatically switch to a battery stand-by circuit when a battery is installed. Open the BATTERY COMPARTMENT on the bottom of the unit and install a 9-volt battery. Under battery operation, the clock will keep the time running and the alarm will sound at the preset time. Only the clock display will not light to save battery energy. If you have a long power failure you may need to make a slight adjustment to the clock time after AC power returns. The clock uses an internal battery powered clock circuit that is less accurate than the power line frequency. Just follow Setting The Time instructions, the alarm time will remain correct.