

PRO PLM Installation Instructions

PROFESSIONAL INSTALLATION STRONGLY RECOMMENDED

Installation Precautions:



Roll down window to avoid locking keys in vehicle during installation



Avoid mounting components or routing wires near hot surfaces



Avoid mounting components or routing wires near moving parts



Tape or loom wires under hood for protection and appearance



Use grommets when routing wires through metal surfaces



Use a Digital Multi Meter for testing and verifying circuits. **DO NOT USE A TEST LIGHT, OR "COMPUTER SAFE PROBE"** as these can set off air bags or damage vehicle computers.

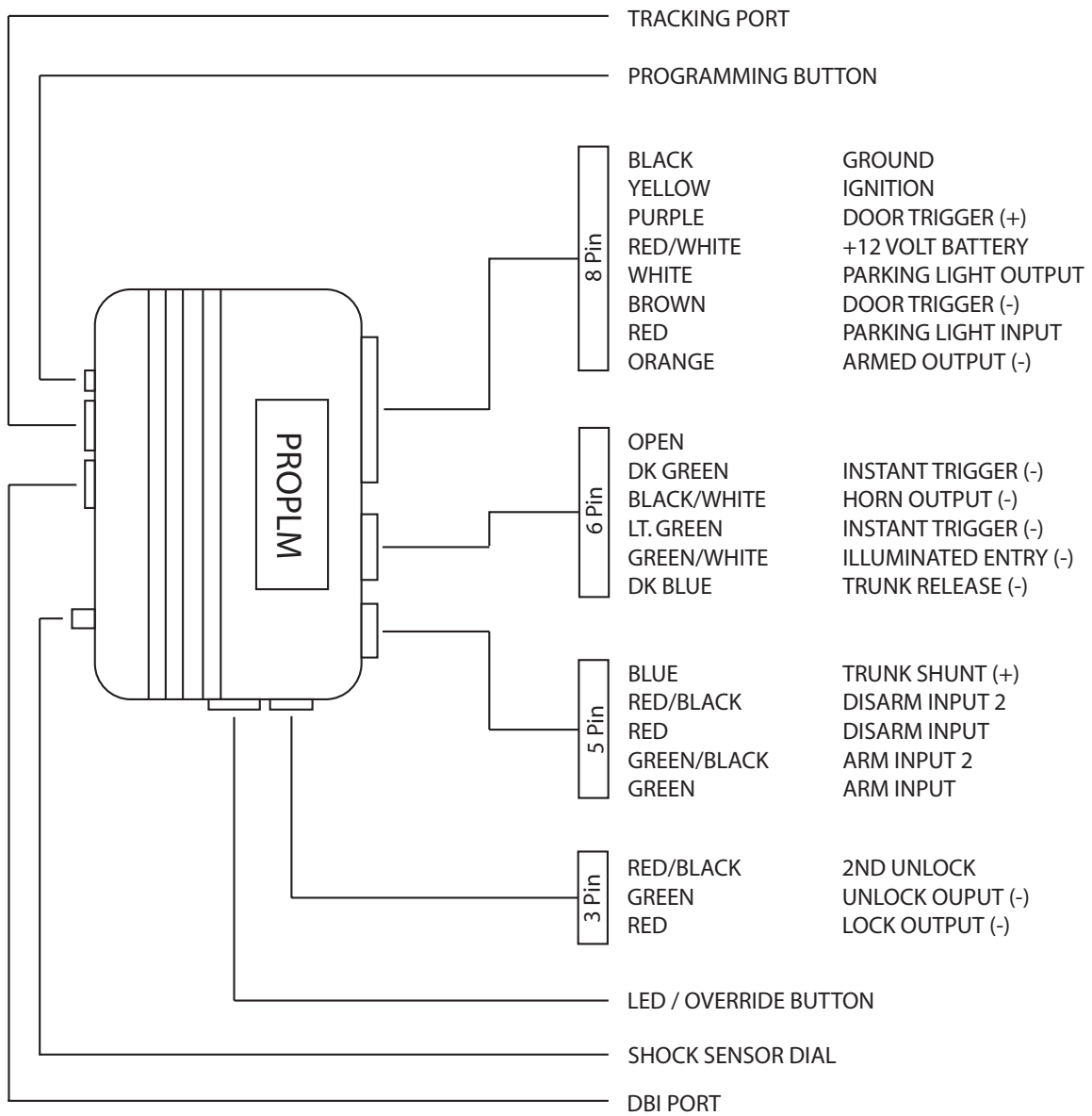
FCC COMPLIANCE

This device complies with Part 15 of the FCC rules and with RSS-210 of Industry Canada. Operation is subject to the following two conditions:

1. This device may not cause harmful interference, and
2. This device must accept any interference received, including any interference that may cause undesired operation.

Warning! Changes or modifications not expressly approved by the party responsible for compliance could void the user's authority to operate the equipment.

PRO PLM SYSTEM LAYOUT



SETUP & PROGRAMMING - CONSUMER MODE

Consumer Mode Transmitter Programming Bank

1. Turn the ignition ON.
2. Press and release the override button 3 times.
3. The system will chirp 1 time.
4. Press the lock button of each transmitter you wish to program.
5. The system will respond with 1 chirp for each accepted transmitter.
6. Turn the ignition OFF to exit transmitter programming.
7. The system will chirp 2 times to confirm exit.

Note: This system has 1 button programming which programs all channels of the transmitter to the system at once.

Consumer Mode Feature Programming Bank - No Transmitters

1. Turn the ignition ON.
2. Press and release the override button 3 times, the system will chirp 1 time.
3. Turn the ignition OFF, the system will chirp 2 times.
4. Turn the ignition ON, the system will chirp one time indicating option #1 in the feature bank. The LED will flash the current setting for the option.
5. Use the override button to scroll through the selections in the feature bank, the system will chirp to match the feature number.
6. Press the programming button on the module to change the desired feature. The LED will flash indicating the features setting.
7. Turn the ignition OFF to exit programming, the system will chirp 1 time to confirm exit.

Consumer Mode Feature Programming Bank - With Transmitters

1. Turn the ignition ON.
2. Press and release the override button 3 times, the system will chirp 1 time.
3. Turn the ignition OFF, the system will chirp 2 times.
4. Turn the ignition ON, the system will chirp one time indicating option #1 in the feature bank. The LED will flash the current setting for the option.
5. Use the CAR FIND/PANIC button to scroll through the selections in the feature bank, the system will chirp to match the feature number.
6. Press the LOCK button to change the desired feature. The LED will flash indicating the changed feature.
7. Turn the ignition OFF to exit programming, the system will chirp 1 time to confirm exit.

Defaulting the Features in the Feature Programming Bank

1. Turn the ignition ON.
2. Press and release the override button 3 times, the system will chirp 1 time.
4. Press the programming button on the module, the system will chirp 4 times indicating the features have been defaulted.

NOTE: The system will remain in programming mode as long as the ignition is on, there is no time limit. To exit programming turn the IGNITION OFF.

SETUP & PROGRAMMING - CONSUMER MODE, CONTINUED

Dome Light Delay/Theater Lighting Programming

The system can be programmed to delay arming after the lock button is pressed (60 second max) for vehicles with a dome light delay or theater dimming feature. Once programmed the system will 'learn' the timing of the dome light delay and add 2 seconds before arming.

1. Close all doors with ignition off.
2. Using the transmitter press LOCK, UNLOCK, LOCK, UNLOCK, LOCK, UNLOCK, LOCK. The LED will light solid to indicate the system has entered DOME DELAY LEARN MODE.
3. Immediately OPEN then CLOSE the door WITHOUT disarming the system. The system will then monitor the door trigger wire. Once the dome light turns off, the system will then add 2 seconds and then exit the learning mode.
4. The LED will begin to flash indicating the system has exited the learning mode and is now armed.

CONSUMER MODE PROGRAMMING GUIDE

Transmitter Programming Bank

Feature Programming Bank	1 LED Flash	2 LED Flashes	3 LED Flashes
1. Security Function	ON	OFF	
2. Passive Locks	Passive	Active	
3. Silent Choice	ON	OFF	
4. Passive/Active Arming	Passive	Active	
5. Siren/Horn	Siren	Horn	
6. Door Trigger Delay	Instant	15 Second	
7. Arm 2 Input Polarity	NEG	POS	
8. Chirps	ON	OFF	
9. Extended Locks	0.9 sec.	3 sec.	Dbl pulse U/L
10. Ignition Controlled Locks	ON	OFF	
11. Dk Blue Wire Output	Trunk	ITS Function	
12. Disarm 2 Input Polarity	NEG	POS	
13. Horn Output Timing	16mS	40mS	72mS
14. Real Panic Sound	ON	OFF	

Note: Default settings are in **BOLD** print.

Changing option #11 to ITS Function changes the functionality of the entire system, refer to the ITS Functionality section on page 22 of this manual.

SETUP & PROGRAMMING - LOT MODE

Lot Mode Transmitter Programming Bank - ACM Transmitter

1. Turn the ignition ON.
2. Press and release the override button 3 times.
3. The system will chirp 1 time.
4. Enter the desired VEHICLE NUMBER into the ACM keypad and then press the LOCK button.
5. The system will respond with 1 chirp.
6. Turn the ignition OFF to exit transmitter programming.
7. The system will chirp 2 times to confirm exit.

Note: This system has 1 button programming which programs all channels of the transmitter to the system at once.

When an ACM keypad is programmed to the system, it is automatically transitioned into Lot Mode. Only 1 vehicle number may be learned to the system.

Lot Mode Feature Programming Bank - No ACM Transmitter

1. Turn the ignition ON.
2. Press and release the override button 3 times, the system will chirp 1 time.
3. Turn the ignition OFF, the system will chirp 2 times.
4. Turn the ignition ON, the system will chirp one time indicating option #1 in the feature bank. The LED will flash the current setting for the option.
5. Use the override button to scroll through the selections in the feature bank, the system will chirp to match the feature number.
6. Press the programming button on the module to change the desired feature. The LED will flash indicating the features setting.
7. Turn the ignition OFF to exit programming, the system will chirp 1 time to confirm exit.

Lot Mode Feature Programming Bank - With ACM Transmitter

1. Turn the ignition ON.
2. Press and release the override button 3 times, the system will chirp 1 time.
3. Turn the ignition OFF, the system will chirp 2 times.
4. Turn the ignition ON, the system will chirp one time indicating option #1 in the feature bank. The LED will flash the current setting for the option.
5. Use the CAR FIND/PANIC button to scroll through the selections in the feature bank, the system will chirp to match the feature number.
6. Press the LOCK button to change the desired feature. The LED will flash indicating the changed feature.
7. Turn the ignition OFF to exit programming, the system will chirp 1 time to confirm exit.

Defaulting the Features in the Feature Programming Bank

1. Turn the ignition ON.
2. Press and release the override button 3 times, the system will chirp 1 time.
4. Press the programming button on the module, the system will chirp 4 times indicating the features have been defaulted.

NOTE: The system will remain in programming mode as long as the ignition is on, there is no time limit. To exit programming turn the IGNITION OFF.

SETUP & PROGRAMMING - LOT MODE

Dome Light Delay/Theater Lighting Programming

The system can be programed to delay arming after the lock button is pressed (60 second max) for vehicles with a dome light delay or theater dimming feature. Once programed the system will 'learn' the timing of the dome light delay and add 2 seconds before arming.

1. Close all doors with ignition off.
2. Using the transmitter press LOCK, UNLOCK, LOCK, UNLOCK, LOCK, UNLOCK, LOCK. The LED will light solid to indicate the system has entered DOME DELAY LEARN MODE.
3. Immediately OPEN then CLOSE the door WITHOUT disarming the system. The system will then monitor the door trigger wire. Once the dome light turns off, the system will then add 2 seconds and then exit the learning mode.
4. The LED will begin to flash indicating the system has exited the learning mode and is now armed.

LOT MODE PROGRAMMING GUIDE

Transmitter Programming Bank

Feature Programming Bank	1 LED Flash	2 LED Flashes	3 LED Flashes
1. Security Function	ON	OFF	
2. Passive Locks	Passive	Active	
3. Silent Choice	ON	OFF	
4. Passive/Active Arming	Passive	Active	
5. Siren/Horn	Siren	Horn	
6. Door Trigger Delay	Instant	15 Second	
7. Arm 2 Input Polarity	NEG	POS	
8. Chirps	ON	OFF	
9. Extended Locks	0.9 sec.	3 sec.	Dbl pulse U/L
10. Ignition Controlled Locks	ON	OFF	
11. Dk Blue Wire Output	Trunk	ITS Function	
12. Disarm 2 Input Polarity	NEG	POS	
13. Horn Output Timing	16mS	40mS	72mS
14. Real Panic Sound	ON	OFF	
15. Lot Alert	OFF	ON	

Note: Default settings are in **BOLD** print.

Changing option #11 to ITS Function changes the functionality of the entire system, refer to the ITS Functionality section on page 22 of this manual.

TRANSITIONING BETWEEN MODES - ACM TRANSMITTER

Transitioning into Lot Mode - ACM Transmitter

1. Turn the ignition ON.
2. Press and release the override button 3 times.
3. The system will chirp 1 time.
4. Enter the desired VEHICLE NUMBER into the ACM keypad and then press the LOCK button.
5. The system will respond with 1 chirp.
6. Turn the ignition OFF to exit transmitter programming.
7. The system will chirp 2 times to confirm exit.

Note: This system has 1 button programming which programs all channels of the transmitter to the system at once.

Use of an ACM keypad is required.

Once an ACM keypad is programmed to the system, it is automatically transitioned into Lot Mode.

Only 1 vehicle number may be learned to the system.

When in lot mode, a consumer remote can not be programmed to the system until it is transitioned to consumer mode.

All programming features will be defaulted to the factory default settings.

Transitioning into No-Sale Mode - YELLOW

1. Open a vehicle door.
2. Enter the vehicle number into an ACM keypad.
3. Press the UNLOCK button.
4. Press and release the # button.
5. Press and release the "YELLOW" button.
6. Close the vehicle's door.

Note: The ACM keypad must be authorized for transitioning.

Note: No-Sale mode disables all functionality of the unit, the unit will be inoperable until reprogrammed with the PROPLPR programming device. This mode is only used when there is a no-sale of the product and you are not removing the system from the vehicle.

Transitioning into ITS Mode - GREEN

1. Open a vehicle door.
2. Enter the vehicle number into an ACM keypad.
3. Press the UNLOCK button.
4. Press and release the # button.
5. Press and release the "GREEN" button.
6. Close the vehicle's door.

Note: The ACM keypad must be authorized for transitioning.

Note: ITS mode enables the shock sensor only of this device for applications in a vehicle equipped with a factory security system.

TRANSITIONING BETWEEN MODES - ACM TRANSMITTER, CONTINUED

Transitioning into Factory Keyless Upgrade Mode - BLUE

1. Open a vehicle door.
2. Enter the vehicle number into an ACM keypad.
3. Press the UNLOCK button.
4. Press and release the # button.
5. Press and release the "BLUE" button.
6. The LED will flash blue 1 time and the system will chirp 3 times.
7. Close the vehicle's door.

Note: The ACM keypad must be authorized for transitioning.

Note: Factory Keyless Upgrade Mode enables all of the device's security functionality by use of the factory transmitters.

Transitioning into Security with Transmitters Mode - RED

1. Open a vehicle door.
2. Enter the vehicle number into an ACM keypad.
3. Press the UNLOCK button.
4. Press and release the # button.
5. Press and release the "RED" button.
6. The LED will flash red 1 time and the system will chirp 3 times.
7. Within 5 seconds program the aftermarket transmitter by pressing the lock button of each transmitter you wish to program.
8. Close the vehicle's door.

Note: The ACM keypad must be authorized for transitioning.

Note: If no remotes are programmed during step 7, the system will automatically transition into the Factory Keyless Upgrade Mode - BLUE

Note: Security with Transmitters Mode enables all of the device's security functionality by use of aftermarket transmitters.

TRANSITIONING BETWEEN MODES - SHORT RANGE TRANSMITTER

Transitioning into Lot Mode

1. Turn the ignition ON.
2. Press and release the override button 3 times.
3. The system will chirp 1 time.
4. Press button 1 of the short range transmitter.
5. The system will respond with 1 chirp.
6. Turn the ignition OFF to exit transmitter programming.
7. The system will chirp 2 times to confirm exit.

Note: This system has 1 button programming which programs all channels of the transmitter to the system at once.

When in lot mode, a consumer remote can not be programmed to the system until it is transitioned to consumer mode.

All programming features will be defaulted to the factory default settings.

Transitioning into Consumer Mode

1. Open a vehicle door.
2. Press and hold button 2 of the short range transmitter until the system chirps 3 times.
3. Again press and hold button 2 of the short range transmitter until the system chirps 3 times.
4. Within 5 seconds program a consumer remote. If no remotes are programmed in the 5 second window, the system will default to a factory keyless upgrade setting which uses the factory remote controls to arm and disarm the system.

Note: Programming features 1-4 will be defaulted to the factory default settings, programming features 5-13 will retain any changes that have been made.

ON BOARD SHOCK SENSOR

Adjusting the Shock Sensor

1. Increase sensitivity by turning the adjustment dial clockwise.
2. Decrease sensitivity by turning the adjustment dial counter clockwise.

Testing the Shock Sensor

Arm the system and wait 6 seconds for the zone to stabilize, then firmly strike the vehicles bumper.

1. 8 PIN MAIN HARNESS

BLACK - Chassis Ground Source (-)

Connect the BLACK wire to a solid chassis ground point using a ring terminal and self tapping screw (not supplied). Scrape away paint from the grounding point to ensure a good connection. The recommended grounding point is a metal surface in the driver's side kick panel area.

Note: Do not ground the BLACK wire with any other vehicle components.

YELLOW - 12 Volts Ignition Input (+)

Locate the vehicle's ignition wire at the ignition switch.

Verification: This wire registers voltage when the key is turned to the ON (or RUN) position. The voltage does not drop out when the key is turned to the START (or CRANK) position.

Connect the YELLOW wire to the vehicle's Ignition wire.

PURPLE - Positive Door Input (+)

Locate the vehicle's dome light or door pin switch wire.

Verification: This wire will register positive voltage (POS) when the door is opened and the interior light is on. This wire will register ground or "0" Volts when the door is closed and the interior light is off.

Connect the PURPLE wire to the vehicle's positive door input wire(s).

NOTE: Certain vehicles may require multiple connections. Refer to vehicle application guide

RED/WHITE - 12 Volt Battery Power (+)

Locate 1 of the vehicle's constant 12 Volt battery wires at the ignition switch.

Verification: This wire will register voltage in all positions of the ignition switch.

Connect the RED/WHITE wire to the constant 12 Volt battery wire.

Note: Remove the in-line fuse until all connections are made.

WHITE - Parking Light Output (+/-) / RED - Parking Light Polarity

Locate the vehicle's parking light wire at the vehicle light switch.

Verification: This wire will register positive voltage or ground when the vehicle parking light switch is turned to the ON position.

These wires are the COMMON and NORMALLY OPEN contacts of the on-board parking light relay. If the vehicle's parking lights are a +12 volt switched system, connect the RED wire to a fused +12 volt battery source, and connect the WHITE wire to the vehicle's parking light wire. If the vehicle's parking lights are a chassis ground switched system, connect the RED wire to a chassis ground source, and connect the WHITE wire to the vehicle's parking light wire.

1. 8 PIN MAIN HARNESS, CONTINUED

BROWN - Negative Door Input (-)

Locate the vehicle's dome light or door pin switch wire.

Verification: This wire will register ground (NEG) when the door is opened and the interior light is on. This wire will register positive voltage when the door is closed and the interior light is off.

Connect the BROWN wire to the vehicle's negative door input wire(s).

NOTE: Certain vehicles may require multiple connections. Refer to vehicle application guide

ORANGE - Armed Output (-) 500mA

This wire will show ground when the system is armed. This wire is used for controlling a starter interrupt relay, window modules or other additional sensors.

2. 6 PIN HARNESS

DK GREEN - Instant Trigger Input (-)

This wire is a ground input for an external sensor, trunk pin or secondary pin switch.

Verification: This wire when connected will trigger the security system

BLACK/WHITE - Horn Output (-) 1Amp

Locate the vehicle's horn wire at the steering column.

Verification: This wire will register at positive voltage and register ground when the horn switch is pressed.

Connect the BLACK/WHITE wire to the vehicle's horn wire.

LT GREEN - Hood Pin Input (-)

Install the supplied Hood Pin Switch and connect to the LT GREEN wire.

Verification: This wire when connected will register ground when the vehicle's hood is opened.

Connect the LT GREEN wire to the hood pin.

NOTE: Be sure to loom the wire, and seal the grommet.

GREEN/WHITE - Illuminated Entry Output (-) 300mA

This wire provides a 300mA output for 30 seconds when the system is disarmed and a continuous output when the system is triggered.

Locate the vehicle's dome light or pin switch wire.

Verification: This wire will register positive voltage or ground when the vehicle's dome light is turned ON.

2. 6 PIN HARNESS, CONTINUED

DK BLUE - Trunk Release Output (-)

This wire provides a 500mA negative output capable of driving relays. For Control of optional accessories such as trunk release.

To Activate press and hold UNLOCK for 2 seconds.

Locate the vehicle's trunk release wire at the trunk release switch.

Verification: This wire will register either positive voltage or ground when the trunk release is activated.

3. 5 PIN HARNESS

BLUE - Trunk Shunt Input (+)

This wire when activated will shunt all security zones for 60 seconds or until cleared.

RED/BLACK - Disarm Input 2 (+/-)

This wire will prevent the system from disarming the security system when a POS or NEG pulse is applied to it from an external device. This will prevent the system from disarming if it is pulsed at the same time as the RED (Disarm Input) wire.

For example: To prevent the system from disarming from the switch on the door. Connect this wire to the unlock switch or passenger unlock motor wire

NOTE: Only required if using the factory keyless entry transmitter to ARM/DISARM this system.

RED - Disarm Input (+/-)

This wire will DISARM the security system when a POS or NEG pulse is applied to it from an external device such as the vehicle's factory unlock motor wire.

GREEN/BLACK - Arm Input 2 (+/-)

This wire will prevent the system from arming the security system when a POS or NEG pulse is applied to it from an external device. This will prevent the system from disarming if it is pulsed at the same time as the GREEN (Arm Input) wire.

For example: To prevent the system from disarming from the switch on the door. Connect this wire to the unlock switch or passenger lock motor wire

NOTE: Only required if using the factory keyless entry transmitter to ARM/DISARM this system.

GREEN - Arm Input (+/-)

This wire will ARM the security system when a POS or NEG pulse is applied to it from an external device such as the vehicle's factory lock motor wire.

4. 3 PIN DOOR LOCK HARNESS

RED - Lock Output (-)

GREEN - Unlock Output (-)

RED/BLACK - 2nd Door Unlock Output

Negative Switching and Negative Switching with 2-step unlock feature:

All Door Lock and Unlock: Locate the lock / unlock wire at the vehicle's lock / unlock switch.

Verification: These wires will register ground when the lock and unlock switches are activated.

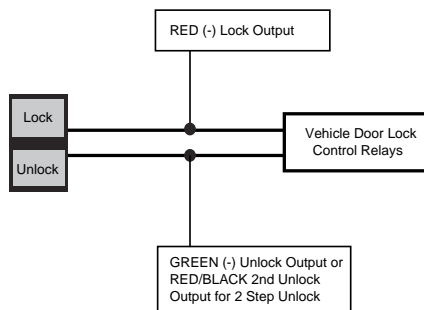
Driver's Door Unlock: Locate the unlock motor wire directly from the actuator inside the driver's door.

Verification: This wire will rest at ground and register positive voltage when the driver's door is unlocked.

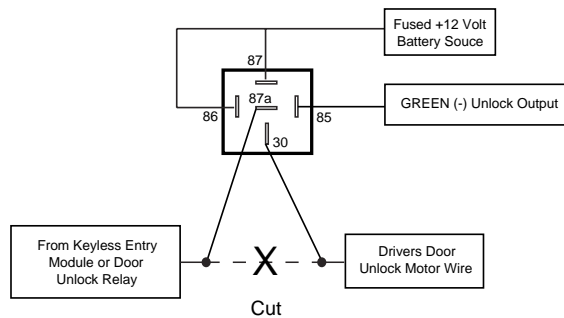
Connect the RED and GREEN or RED/BLACK wires shown in the diagram below.

Note: When adding the 2 step unlock feature the RED/BLACK 2nd door unlock wire will be used to unlock all vehicle doors on the second press of unlock. An additional SPDT relay (not supplied) is required. Connect the relay as shown in the diagram below to unlock the driver's door on the first press of unlock.

Negative Locks:



For 2 Step Unlock:



4. 3 PIN DOOR LOCK HARNESS, CONTINUED

RED - Lock Output (-)

GREEN - Unlock Output (-)

RED/BLACK - 2nd Door Unlock Output

Positive Switching and Positive Switching with 2-step unlock feature:

All Door Lock and Unlock: Locate the lock / unlock wire at the vehicle's lock / unlock switch.

Verification: These wires will register positive voltage when the lock and unlock switches are activated.

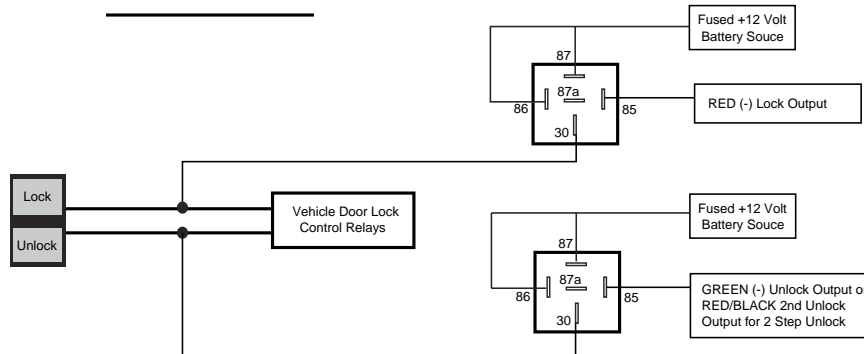
Driver's Door Unlock: Locate the unlock motor wire directly from the actuator inside the driver's door.

Verification: This wire will rest at ground and register positive voltage when the driver's door is unlocked.

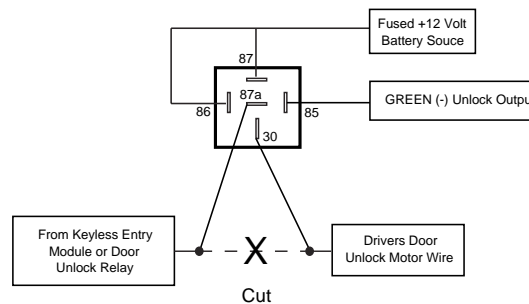
Connect the RED and GREEN or RED/BLACK wires shown in the diagram below.

Note: When adding the 2 step unlock feature the RED/BLACK 2nd door unlock wire will be used to unlock all vehicle doors on the second press of unlock. Two additional SPDT relays (not supplied) are required. Connect the relays as shown in the diagram below to unlock the driver's door on the first press of unlock.

Positive Locks:



For 2 Step Unlock:



4. 3 PIN DOOR LOCK HARNESS, CONTINUED

RED - Lock Output (-)

GREEN - Unlock Output (-)

RED/BLACK - 2nd Door Unlock Output

One Wire Negative Multiplexed and One Wire Negative Multiplexed with 2-step Unlock Feature:

All Door Lock and Unlock: Locate the lock / unlock wire at the vehicle's lock / unlock switch.

Verification: This wire will show variable ground when the switch is activated. Please consult the **Vehicle Wire Color and Location Chart** for specific resistor values for the vehicle.

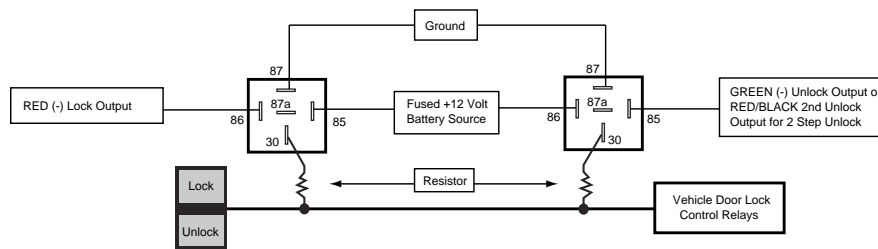
Driver's Door Unlock: Locate the unlock motor wire directly from the actuator inside the driver's door.

Verification: This wire will rest at ground and register positive voltage when the driver's door is unlocked.

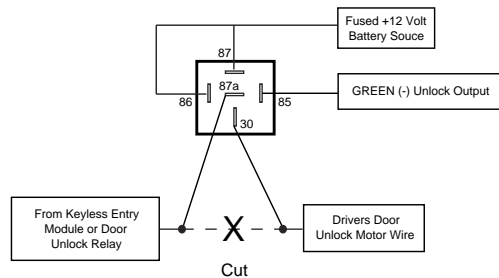
Connect the RED and GREEN or RED/BLACK wires shown in the diagram below using (2) SPDT relays (not supplied).

Note: When adding the 2 step unlock feature the RED/BLACK 2nd door unlock wire will be used to unlock all vehicle doors on the second press of unlock. An additional SPDT relay (not supplied) is required. Connect the relay as shown in the diagram below to unlock the driver's door on the first press of unlock.

Multiplex Locks:



For 2 Step Unlock:



4. 3 PIN DOOR LOCK HARNESS, CONTINUED

RED - Lock Output (-)

GREEN - Unlock Output (-)

RED/BLACK - 2nd Door Unlock Output

One Wire Positive Multiplexed and One Wire Multiplexed With 2-step Unlock Feature

All Door Lock and Unlock: Locate the lock / unlock wire at the vehicle's lock / unlock switch.

Verification: This wire will show variable positive voltage when the switch is activated. Please consult the **Vehicle Wire Color and Location Chart** for specific resistor values for your vehicle.

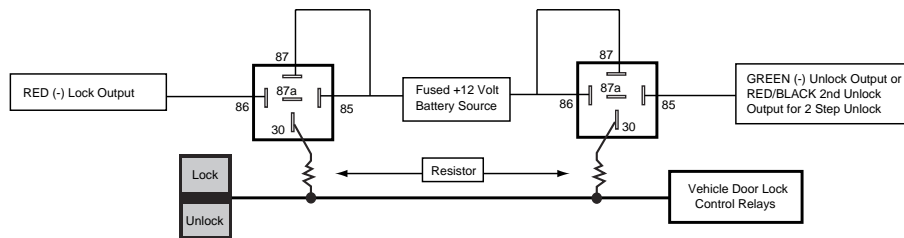
Driver's Door Unlock: Locate the unlock motor wire directly from the actuator inside the driver's door.

Verification: This wire will rest at ground and register positive voltage when the driver's door is unlocked.

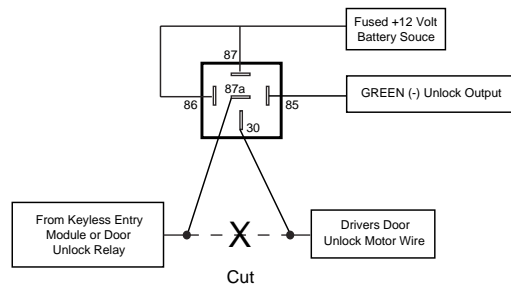
Connect the RED and GREEN or RED/BLACK wires shown in the diagram below using (2) SPDT relays (not supplied).

Note: When adding the 2 step unlock feature the RED/BLACK 2nd door unlock wire will be used to unlock all vehicle doors on the second press of unlock. An additional SPDT relay (not supplied) is required. Connect the relay as shown in the diagram below to unlock the driver's door on the first press of unlock.

Multiplex Locks:



For 2 Step Unlock:



4. 3 PIN DOOR LOCK HARNESS, CONTINUED

RED - Lock Output (-)

GREEN - Unlock Output (-)

RED/BLACK - 2nd Door Unlock Output

Reverse Polarity (5-Wire Door locks) and Reverse Polarity with 2-step Unlock

All Door Lock and Unlock: Locate the lock / unlock wire at the vehicle's lock / unlock switch.

Verification: These wires will rest at ground and register positive voltage when the lock and unlock switches are activated.

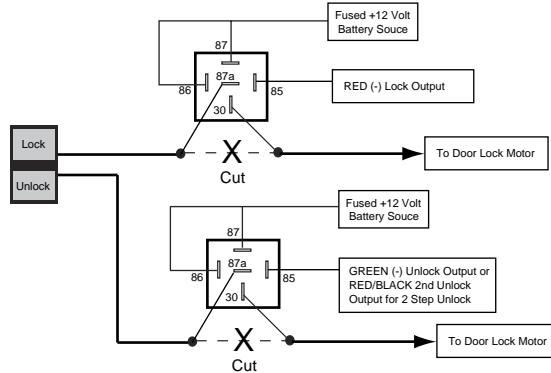
Driver's Door Unlock: Locate the unlock motor wire directly from the actuator inside the driver's door.

Verification: This wire will rest at ground and register positive voltage when the driver's door is unlocked.

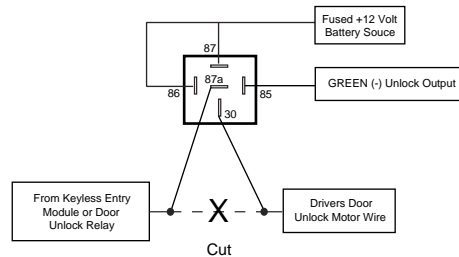
Connect the RED and GREEN or RED/BLACK wires shown in the diagram below using (2) SPDT relays (not supplied).

Note: When adding the 2 step unlock feature the RED/BLACK 2nd door unlock wire will be used to unlock all vehicle doors on the second press of unlock. An additional SPDT relay (not supplied) is required. Connect the relays as shown in the diagram below to unlock the driver's door on the first press of unlock.

Reverse Polarity Locks:



For 2 Step Unlock:



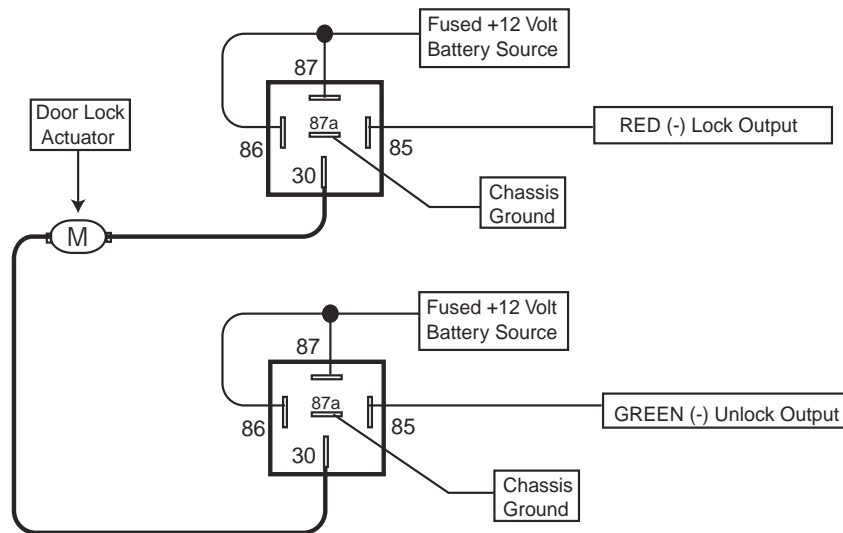
4. 3 PIN DOOR LOCK HARNESS, CONTINUED

RED - Lock Output (-)
GREEN - Unlock Output (-)

RED/BLACK - 2nd Door Unlock Output

Adding Door Actuators

After installing door actuators, (not supplied). Connect the RED and GREEN wires shown in the diagram below using (2) SPDT relays (not supplied).



5. ACCESSORY CONNECTORS

6 Pin Override Push-Button and LED

The status LED / override button should be mounted in a visible and easily accessible location on the driver's dashboard area. Route the harness and plug the 6 pin connector into the module.

4 Pin Tracking Port: (Off White Connector)

This 4 pin port is used for connecting the PROPT20 PursuiTrak GPS system.

4 Pin Data Bus Interface Port: (Brown Connector)

This 4 pin port is used for Flashlogic Door Lock and Transponder Databus Interfaces to communicate with the vehicle's Databus. When using the DBI port to control the Flashlogic Door Lock and Transponder Interface modules the following options may be available. Please refer to the D2D (Data to Data) function list available per vehicle on the tech service web site.

Door Trigger	Trunk/Hatch Open
Keyless Entry Control	Dome Light Supervision
Factory Alarm Arm / Disarm	Manual Arm / Disarm Inputs (factory keyless controls system)

6. SYSTEM POWER-UP PROCEDURE

1. After all connections are complete, turn the vehicle's ignition key to the ON position.
2. Insert the 5 Amp fuse into the respective fuseholder.
3. Turn the ignition key to the OFF position.

7. System Testing

1. Follow each instruction below.
2. Verify that the system operates as indicated under each instruction. Refer to the system owners manual.
3. Check the appropriate wire connections and/or fuses if the unit fails to perform a specific function. Also check that any options pertaining to the function are programmed properly.

Security Operation

Press LOCK once:

1. Doors lock.
2. Courtesy lights (if on) shut off.
3. Unit checks to see if doors, hood or trunk are open. If open, siren (or horn) sounds once, parking lights flash once, and system enters pre-arm mode.

Pre-arm mode:

1. The unit will wait for the open door, hood or trunk to be closed. The LED is solid during pre-arm.
2. If the entrance is secured, the siren/horn will sound again, parking lights will flash once, and the system will arm.
3. If the entrance is not secured after 4 minutes, the siren/horn will sound again, parking lights will flash once, the system will arm, and the defective trigger or entrance will be ignored.

Note: If entrance is secured after 4 minutes, the system will immediately begin to monitor the entrance for intrusion.

If the above conditions are not present:

1. Vehicle starter is disabled.
2. Siren (or horn) sounds twice / parking lights flash twice.
3. LED (Red light) flashes slowly for duration of arm cycle.
4. After 5 seconds, unit monitors all entrances and sensors.

If door, sensor, hood/trunk or ignition input is triggered:

1. Siren/horn sounds for 30 seconds or until UNLOCK is pressed.
2. Parking lights flash.
3. If the alarm system is triggered, pressing UNLOCK (once) will end the 30-second cycle.

Pressing UNLOCK after a full 30 second trigger cycle has completed, the horn will honk 4 times and the LED will flash a number of times to indicate which input triggered the alarm. Turning on the ignition or pressing the valet/override button will reset the LED flashes, pressing the valet/override button will also honk the horn to match the LED flashes before it resets.

Number of flashes:

- 1 - Interior Theft Sensor (Shock Sensor)
- 2 - Door Input
- 3 - Hood
- 4 - Trunk input
- 5 - Ignition

8. SYSTEM TESTING, CONTINUED

Press DISARM:

1. Doors unlock.
2. Factory alarm (if equipped) is turned off.
3. Siren/horn sounds once/ parking lights flash once.
4. Courtesy lights turn on for 30 seconds, or until ARM is pressed or ignition is turned on.
5. Vehicle starter is enabled.

Press DISARM twice:

Passenger doors unlock if using 2-stage unlock.

Press CAR FIND/PANIC:

Siren/horn sounds 5 times.

Press and hold CAR FIND/PANIC for 2 seconds:

Siren/horn sounds and lights flash for 30 seconds or until any remote control button is pressed.

Press and hold TRUNK:

Trunk or hatch opens, or other device activates.

If the Ignition Controlled Locks option is set to On:

Doors lock when all doors are closed and the ignition is turned ON.

Doors unlock when ignition is turned OFF.

9. MOUNTING THE MODULE / FINISHING INSTALLATION

Mount the module to a brace or wire harness under the dash. The module and harnesses must be clear of moving parts.

Installation Complete.

ITS FUNCTIONALITY

ITS Introduction

The PRO PLM may be used as a ITS (Interior Theft Sensor) and when doing so it is designed to honk the horn if a light impact is detected or trigger the vehicle's factory alarm if a harder impact is detected.

Note: The vehicle MUST have a factory alarm that is triggered by opening the vehicle's door. Option #10 must be changed in the feature programming bank for the system to function as the ITS.

ITS ACTIVATION

Optional Warn Away

The optional Warn-Away Trigger is active after the ignition key is turned off and the dome light shuts off after exiting the vehicle. When a light impact is detected the system will briefly honk the vehicles horn. If at any time a door is opened (dome light "on"), the Warn-Away Trigger will be bypassed until the ignition key is cycled "ON" and "OFF". This feature prevents the Warn-Away chirps of the vehicle's horn when the customer/user enters the vehicle. The Warn-Away Trigger will reactivate when the ignition key is cycled "ON" and "OFF" again.

Factory Alarm Trigger

The ITS Factory Alarm Trigger is active 5 minutes after the ignition is turned off and the factory alarm has been set. When a heavy impact is detected the ITS will pulse the vehicle's door trigger wire to active the factory alarm.

Valet Mode

Valet Mode deactivates both the optional Warn-Away and Factory Alarm Trigger. To turn Valet Mode ON, turn the ignition key ON/OFF three times. To turn Valet Mode "OFF", turn the ignition key ON/OFF three times.

Harness Connections

DK BLUE - Factory Alarm Trigger: Connect this to a wire which triggers the vehicle's factory alarm system such as the door ajar, hood or trunk wire.

PURPLE and BROWN - Door Inputs (+/-): Connect one of these wires to the vehicle's dome light wire.

RED - +12 Volt Input: Connect this wire to constant +12 volt source.

BLACK - Ground Input: Connect this wire to chassis ground.

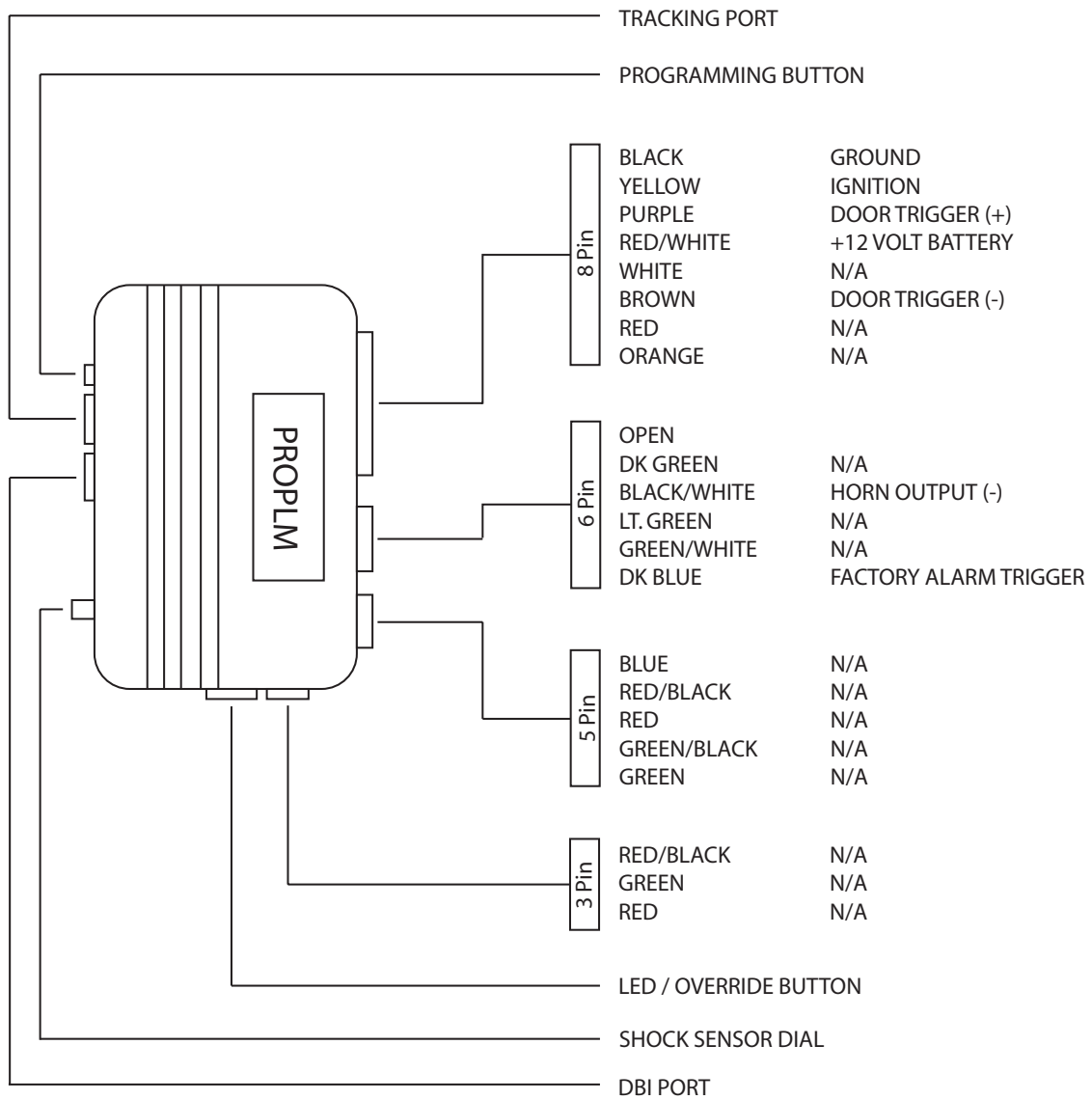
YELLOW - Ignition Input: Connect this wire to +12 volt ignition source.

BLACK/WHITE - Warn Away Horn Output: Connect this wire to the vehicle's horn wire.

NOTES:

The ITS uses the PURPLE or BROWN (Door Input) to DISARM the optional Warn-Away feature. The PURPLE or BROWN must sense all of the doors for the ITS to DISARM properly. It is recommended to only use the Warn-Away feature with vehicle's that have an "ALL" door trigger output in the vehicle.

ITS LAYOUT



This device complies with part 15 of the FCC rules. Operation is subject to the following two conditions.

- 1) This device may not cause harmful interference, and
- 2) This device must accept any interference received, including interference that may cause undesired operation.

Per FCC 15.21, you are cautioned that changes or modifications not expressly approved by the part responsible for compliance could void the user's authority to operate the equipment.