

# Epoch-H Series Repeaters

## ~ Wall-Mounting Instructions ~

### **Step 1**

Take the 8 screws off the mounting bracket from the repeater. Each leg has 2 screws.

Using the nuts/bolts provided, mount the bracket on the desired location securely.

Note: Four mounting holes are provided on the bracket. The bracket must be properly attached to sufficiently carry the weight of the repeater, which is bolted to the mounting bracket through the four aligned holes.

### **Step 2**

With the help of two people (recommended), place the repeater on to the bracket slots as shown in Figure 1.

### **Step 3**

Tighten the 8 screws that were taken off in Step 1 to secure the repeater to the bracket.

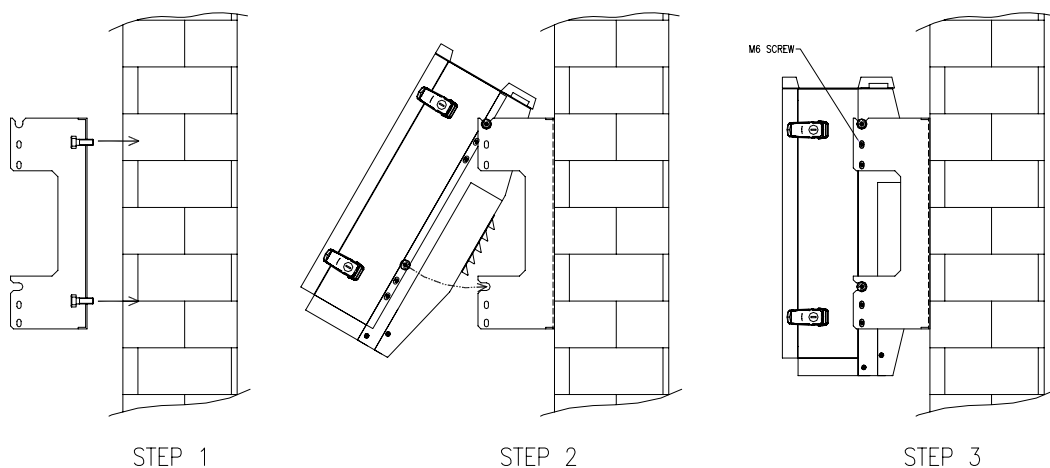


Figure 1: Repeater & Mounting Bracket Instructions