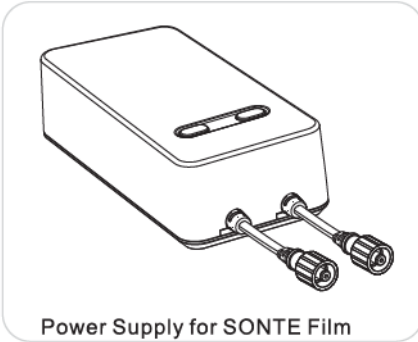




**SONTE**  
Wi-Fi Control for SONTE Film

## SONTE Hub

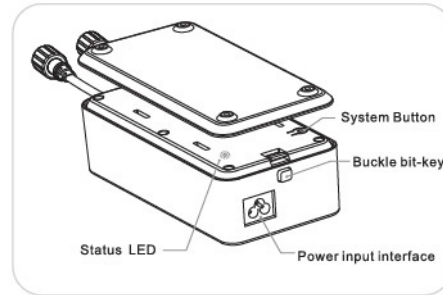
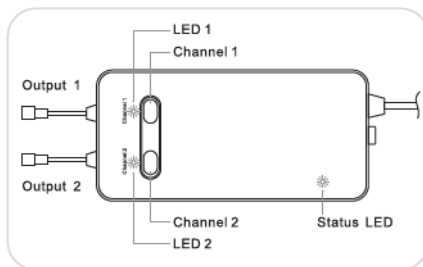
Including Power Supply and SONTE Film  
Wi-Fi Control for SONTE Film



### 1 SONTE Hub

SONTE Hub is the intelligent power supply that let's you control SONTE Film, our revolutionary, DIY friendly digital shade. SONTE Hub allows you to connect two separate SONTE Films and once connected to your Wi-Fi network you can wirelessly control your digital shades together (or individually) via our App.

### 2 Familiarize yourself with your SONTE Hub

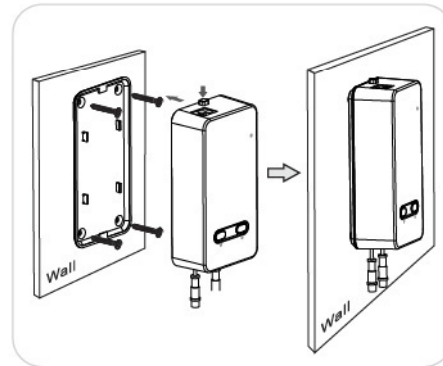


#### • Affixing your SONTE Hub

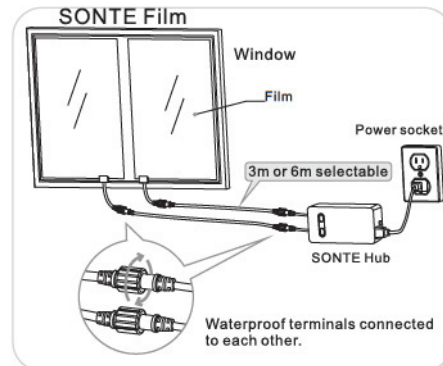
Your SONTE Hub can be affixed to a surface, such as a wall or ceiling.

#### • To affix your SONTE Hub to a surface:

1. Remove the backing plate from the rear of your SONTE Hub.
2. Place the backing plate against your selected surface.
3. Affix the plate to the surface using the provided screws.
4. Reattach SONTE Hub to its backing plate by pushing the two pieces together.



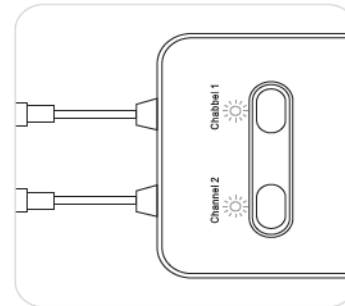
#### • Installation is complete



### 3 Quick start

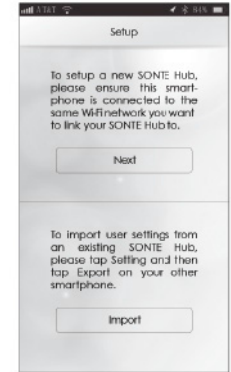
Getting your SONTE Hub up and running is as simple as plugging it into a wall outlet and linking it to your existing Wi-Fi network. Before you begin the setup, please be sure that you have installed SONTE Film as per our separate SONTE Film Installation Instructions. The following instructions will help you link your SONTE Hub to both your SONTE Film and your Wi-Fi network.

1. Connect SONTE Film to your SONTE Hub with the cables provided. There are two lengths of cables to choose from - 3 metres (9.84ft) and 6 metres (19.68ft). If you are only using one digital shade, you can plug the cable to either Output 1 or Output 2. If you are connecting two digital shades, please use both Output 1 and 2.
2. Once your SONTE Hub is connected to your SONTE Film, plug SONTE Hub into an electrical outlet and turn it on. The Status LED on SONTE Hub will blink slowly.
3. At this stage you can test the setup by pressing the control buttons. Each button will respectively control a corresponding installation of SONTE Film, with each press and release of the button it turns the digital shade on or off. You can also press and hold each button to brighten or dim the corresponding SONTE Film.



4. Now that you are able to control SONTE Film directly from your SONTE Hub, it is time to connect your SONTE Hub to your Wi-Fi network.

- A. Turn on your smart phone's Wi-Fi and connect it to the same Wi-Fi network that you will be controlling your SONTE Hub through. This most likely will be your home's or office's default Wi-Fi network.
- B. Install the SONTE Digital Shade Control app on your phone. You can download it from Apple's app store and Samsung market (for IOS and Android).
- C. Once the app is installed, click into it. You will be presented with the setup screen. Tap 'Next' to begin the connection process between your SONTE Hub and Wi-Fi network.

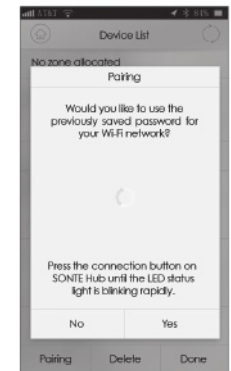


- D. In the Connection screen, enter your Wi-Fi network's password. This password should be the same one used for your home or office. In the subsequent field select your time zone from the corresponding drop down list.

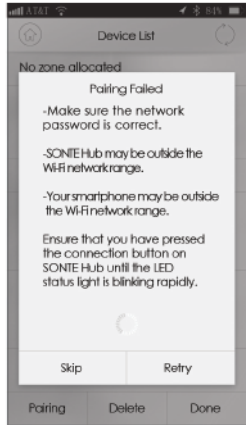
#### E. Tap 'Begin Pairing'.



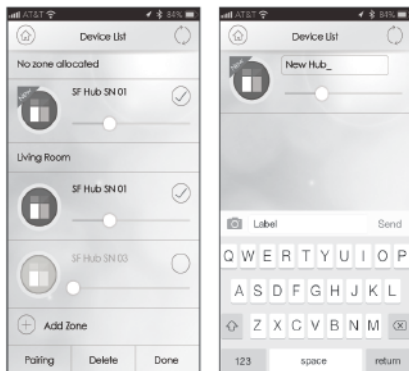
- F. Your smart phone will try to establish a connection between your SONTE Hub and your Wi-Fi network.



G. Immediately after pressing 'Begin Pairing', on your SONTE Hub immediately press and release the System Button. This process tells SONTE Hub to look for and connect to your existing Wi-Fi network. If the pairing is successful, the Status LED will remain lit. If the pairing fails (with pop up screen below), (1) please ensure that SONTE Hub is powered on and repeat step C or (2) if the SONTE Hub is powered, tap 'Retry'.



H. Once step G is complete, SONTE Hub will now be connected to your Wi-Fi network. SONTE Film can now be controlled directly from your smart phone. You should now see 'Device List' menu on your screen. Under this menu, you can see a list of all your SONTE Films connected to a SONTE Hub (if more than one is installed) - they will be labelled with a default name. To change the default name, press and hold your finger on the name section until a name change sub-menu pops up. You can now change the name. You can also allocate your individual digital shades by zone - such as, living room, or bedroom. Simply tap 'Add Zone' and follow the on screen instructions.



5. Once SONTE Hub is set up and you have customized the names, you control SONTE Film from the 'Device List' menu. Simply slide your finger left to right, right to left change the opacity of the digital shade. If you have grouped the digital shades into zones, you can use the 'Master Controller' to control and adjust the digital shades all at once.

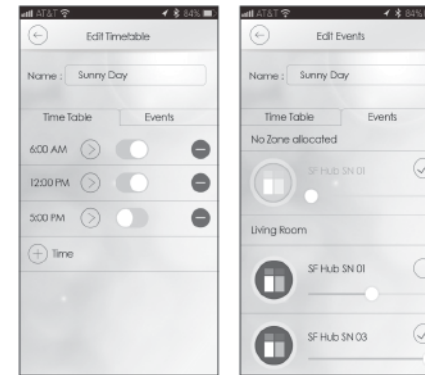
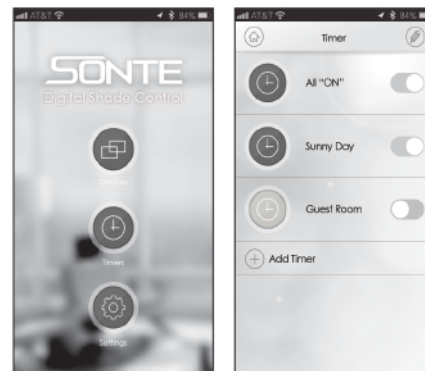
#### 4 Advanced functions

##### • Timers for your SONTE Film

One of the joys of using SONTE Film is that you do not have to perform the tedious task of opening and closing your shades everyday as you do with manual shades. If you want to put all your digital shades on a timer to them turn on or off at particular hours, SONTE Hub can automate this for you.

##### • To set up a timer:

1. Open the SONTE Digital Shade Control app.
2. Tap 'Timers' in the main menu.
3. Tap '+ Add Timer' to enter the 'Edit Timetable' menu. From here you can add or remove SONTE Film timers.
4. To add them, simply tap the '+ Time' button.
5. During this stage, you can also set the transparency of the SONTE Film should change to using the Events menu.
6. Finally, to select which SONTE Film you want the Timer to control, tick or untick any SONTE Hubs that are listed under the Events menu.



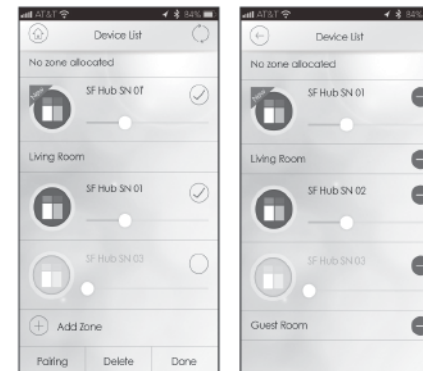
##### • Resetting your SONTE Hub

Should you wish to restore your SONTE Hub to its factory settings, simply press and hold the System Button for 20 seconds. To confirm that your SONTE Hub has been restored to its factory settings, its Status LED will blink slowly.

##### • Removing a SONTE Hub from your network

To remove your SONTE Hub, along with the SONTE Film installations that it controls, from the SONTE Digital Shade Control app:

1. Open the SONTE Digital Shade Control app.
2. Tap 'Devices'.
3. Press and hold your finger on the name of the Digital Shade you wish to remove - a delete button will appear on the right of the screen.
4. Tap the delete button.
5. Tap 'Yes' in the confirmation window to confirm the Hub's removal.



#### 5 Technical Specifications

- Model number: SH001
- Input Power: AC 100V~240V, 50/60Hz.
- Output Voltage: AC 0 ~ 70V for PWM control.
- Output Current: 100mA \* 2
- Output Power: 7W \* 2
- Maximum input power: 35W

##### FCC NOTE:

This device complies with Part 15 of the FCC Rules. Operation is subject to the following two conditions: (1) this device may not cause harmful interference, and (2) this device must accept any interference received, including interference that may cause undesired operation.

THE MANUFACTURER IS NOT RESPONSIBLE FOR ANY RADIO OR TV INTERFERENCE CAUSED BY UNAUTHORIZED MODIFICATIONS OR CHANGE TO THIS EQUIPMENT. SUCH MODIFICATIONS OR CHANGE COULD VOID THE USER'S AUTHORITY TO OPERATE THE EQUIPMENT.

To maintain compliance with FCC's RF exposure guidelines, this equipment should be installed and operated with a minimum distance of 20cm between the radiator and your body.

