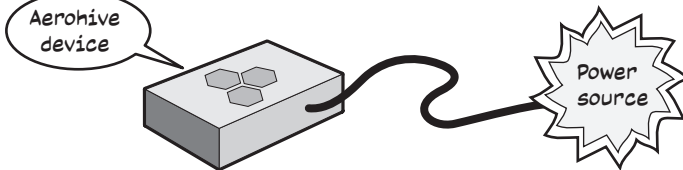


Aerohive Devices QuickStart

Install Aerohive devices (APs, switches, and routers) on your network.

1 Power

Connect the Aerohive device to a power source: a 100-240 AC power outlet, or, for APs, PSE (power sourcing equipment).



For more information about your device, scan the QR code or visit www.aerohive.com/quick

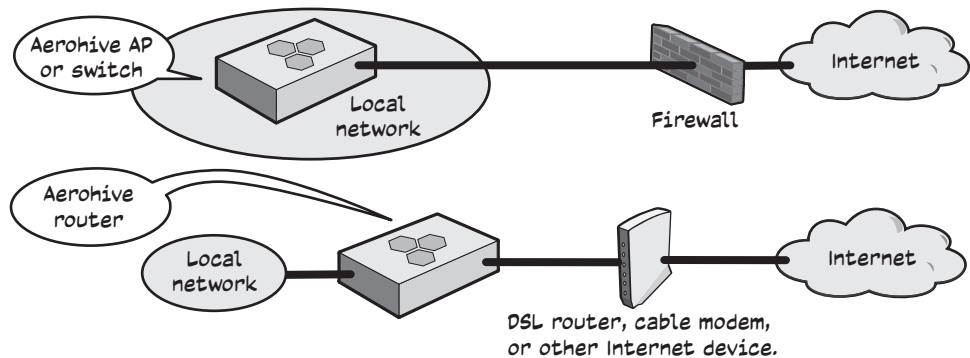
The image shows a smartphone on the left with an arrow pointing to a large QR code on the right. Below the QR code is a text box with instructions to scan the code or visit the website.

 For Aerohive APs, attach external antennas, if necessary.

2 Network

Aerohive AP or switch: Connect an Ethernet cable from Eth0 on an AP and from any port on a switch to an upstream network device - switch, router, firewall...

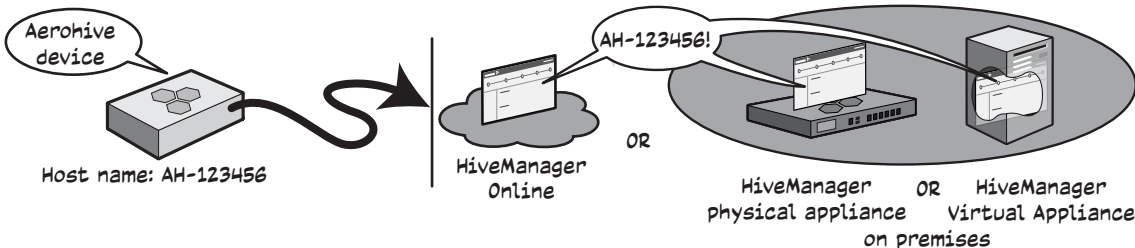
Aerohive router: Connect an Ethernet cable from WAN/Eth0 to a DSL router, cable modem, or other Internet device.

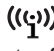


 Aerohive devices act as DHCP clients by default. For deployment on networks without DHCP, see product documentation at www.aerohive.com/techdocs.

3 Management

After connecting to the network, the Aerohive device contacts HiveManager Online or a HiveManager physical appliance or HiveManager Virtual Appliance on premises. The device is now ready to be managed.



 After the device connects to HiveManager, the status LED glows white.

To register, get the latest product documentation (including a limited number of translations), see compliance information and download software updates, visit www.aerohive.com/support.