

PASO Paging Amplifiers

Provided by Aiphone

P30BGM (30W); DMA2060 (60W); DMA2120 (120W)

- Supplemental Wiring Instructions for connecting with Aiphone Systems -

Aiphone offers a series of paging amplifiers to provide paging and other features for many of our systems. These amplifiers are manufactured by PASO, and are available in 30, 60, and 120 watt sizes. This supplemental instruction manual includes wiring diagrams for applications with Aiphone systems. See the included PASO Installation & Operation Manual for complete information.



30 Watt Amplifier



60 and 120 Watt Amplifiers

AVAILABLE MODELS	WATTAGE	APPLICATIONS
P30BGM	30 Watts	- Paging and background music
DMA2060	60 Watts	- Paging and background music
DMA2120	120 Watts	- Paging and background music

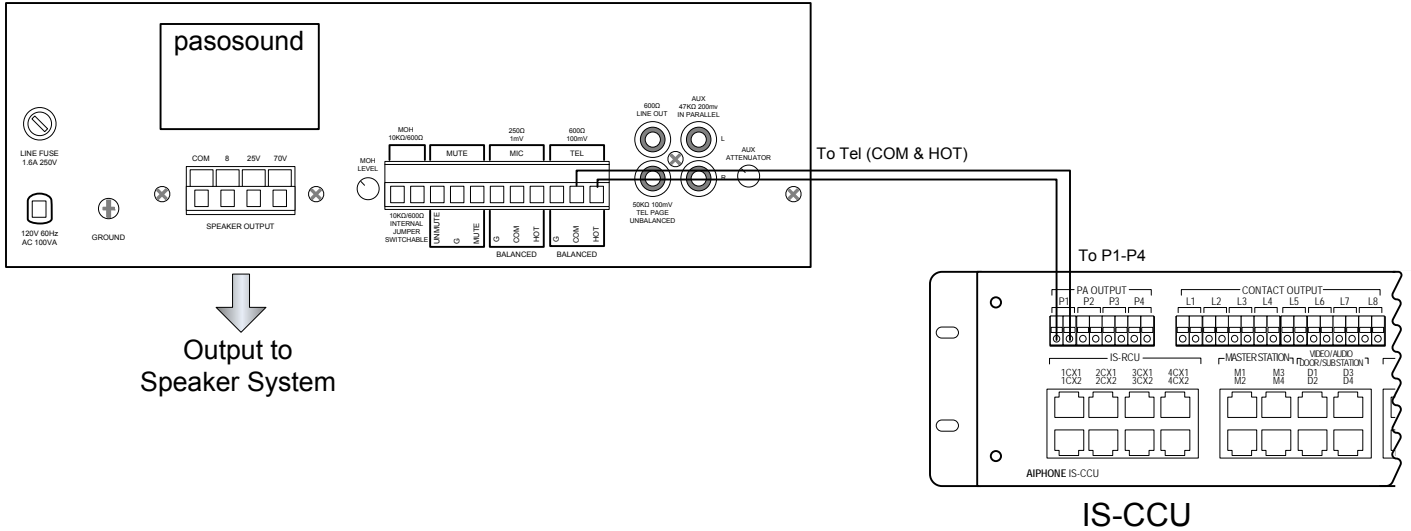
Some Aiphone systems require separate adaptors for adding paging to the system. Match the appropriate paging adaptor with the system being used. Choose the amplifier based on input and output requirements for your application.

PAGING ADAPTOR	SERIES
AXW-PA1	AX
BA-1	LEM, LEF, IX-1AS, IX-10AS
MC-A/A	MC-60/4A
PD-1	TD-H
PD-2 (w/Talkback)	TD-H

WIRING DIAGRAM

P30BGM with the IS Series:

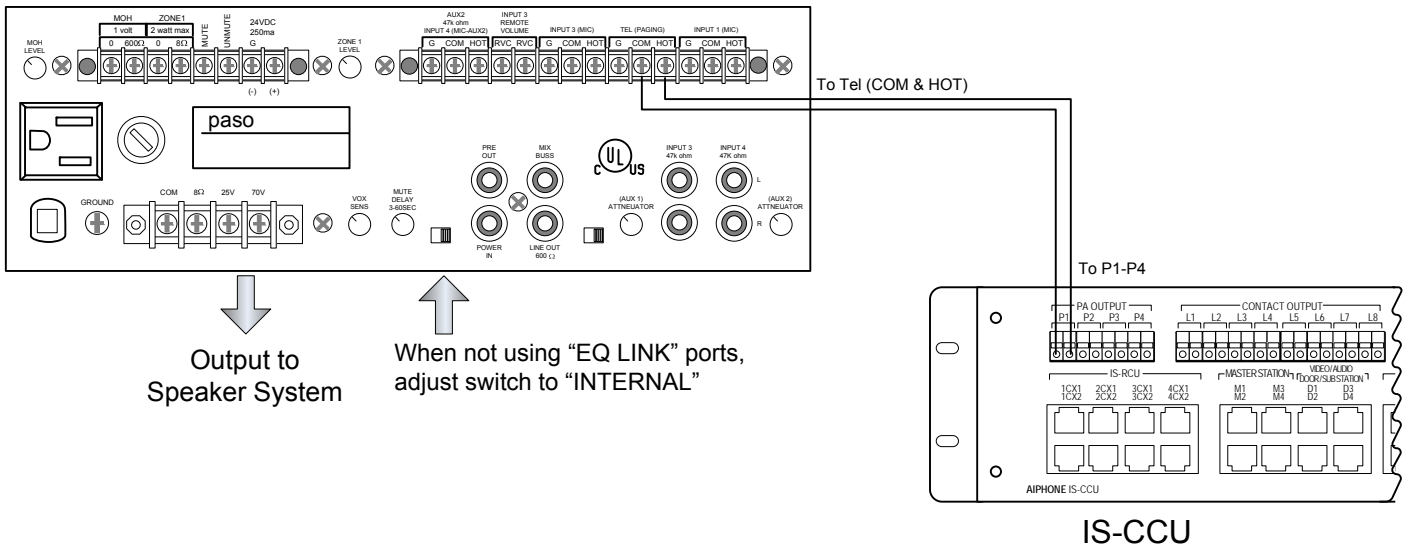
Page through an overhead speaker system from an IS Series system using the IS-CCU, IS-SCU, or IS-RCU (P1-P4 outputs).



WIRING DIAGRAM

DMA2060 or DMA2120 with the IS Series:

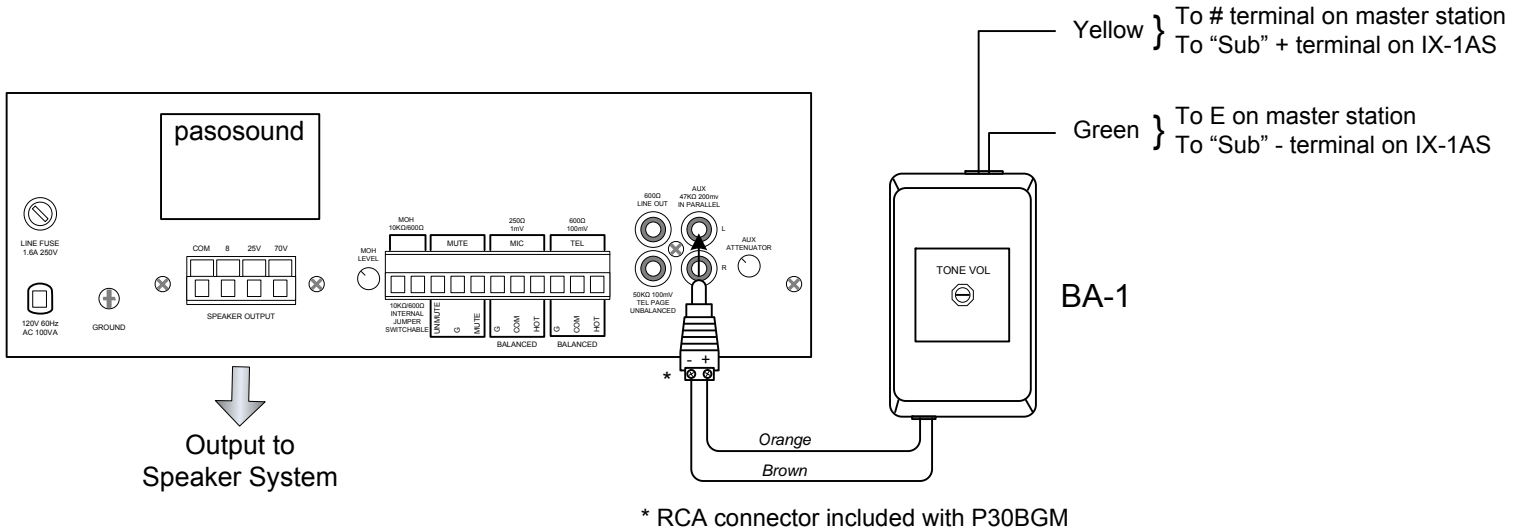
Page through an overhead speaker system from an IS Series system using the IS-CCU, IS-SCU, or IS-RCU (P1-P4 outputs).



WIRING DIAGRAM

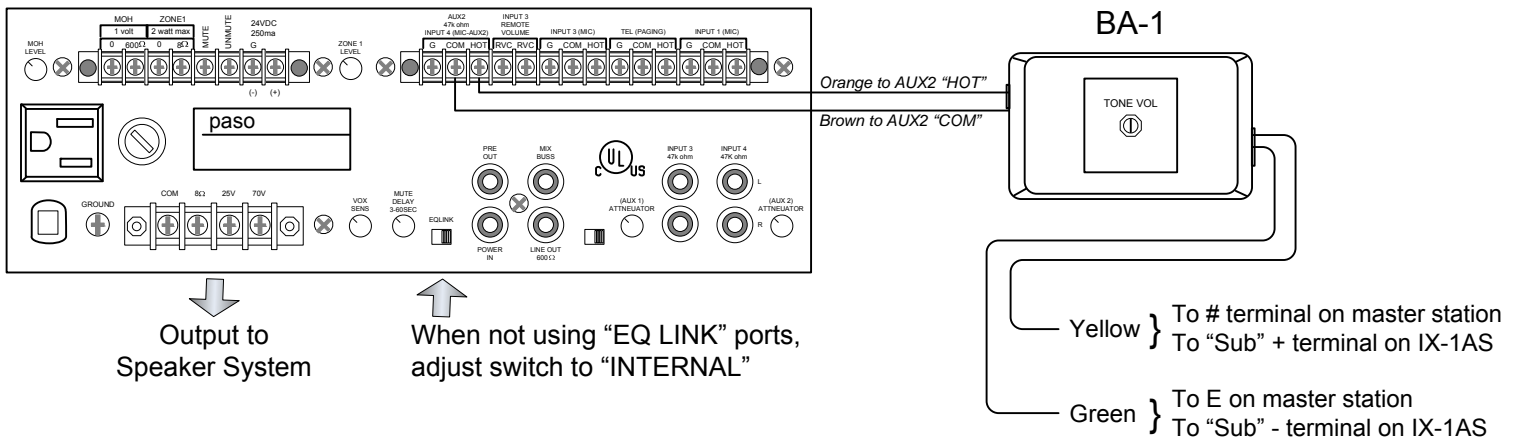
P30BGM with the BA-1:

Page through an overhead speaker system from a channel selector on an Aiphone master station. The BA-1 is compatible with the LEM, LEF, IX-1AS, and IX-10AS.



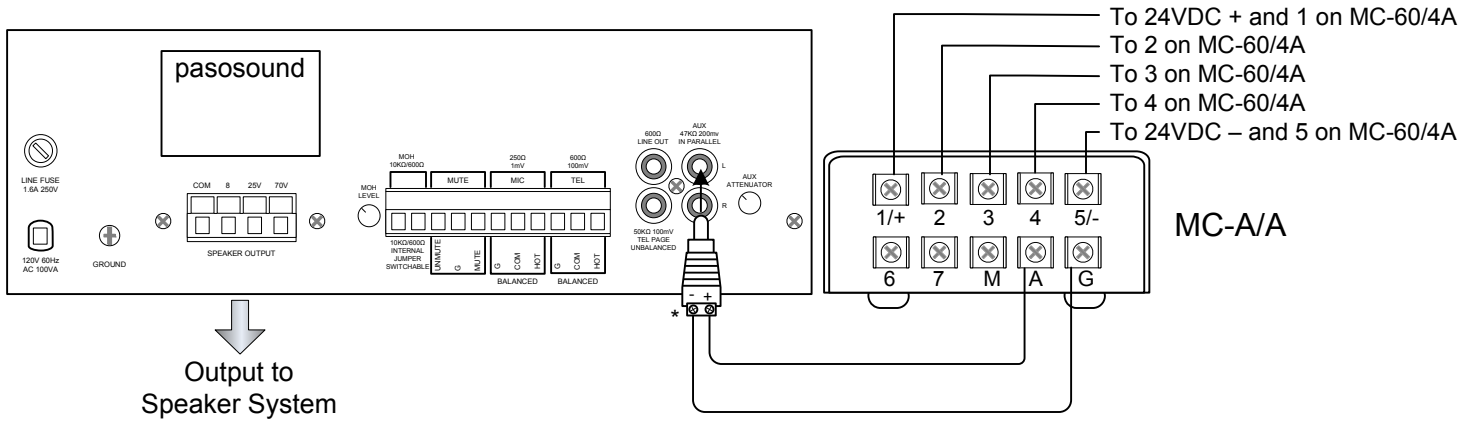
WIRING DIAGRAM

DMA2060 or DMA2120 with the BA-1:



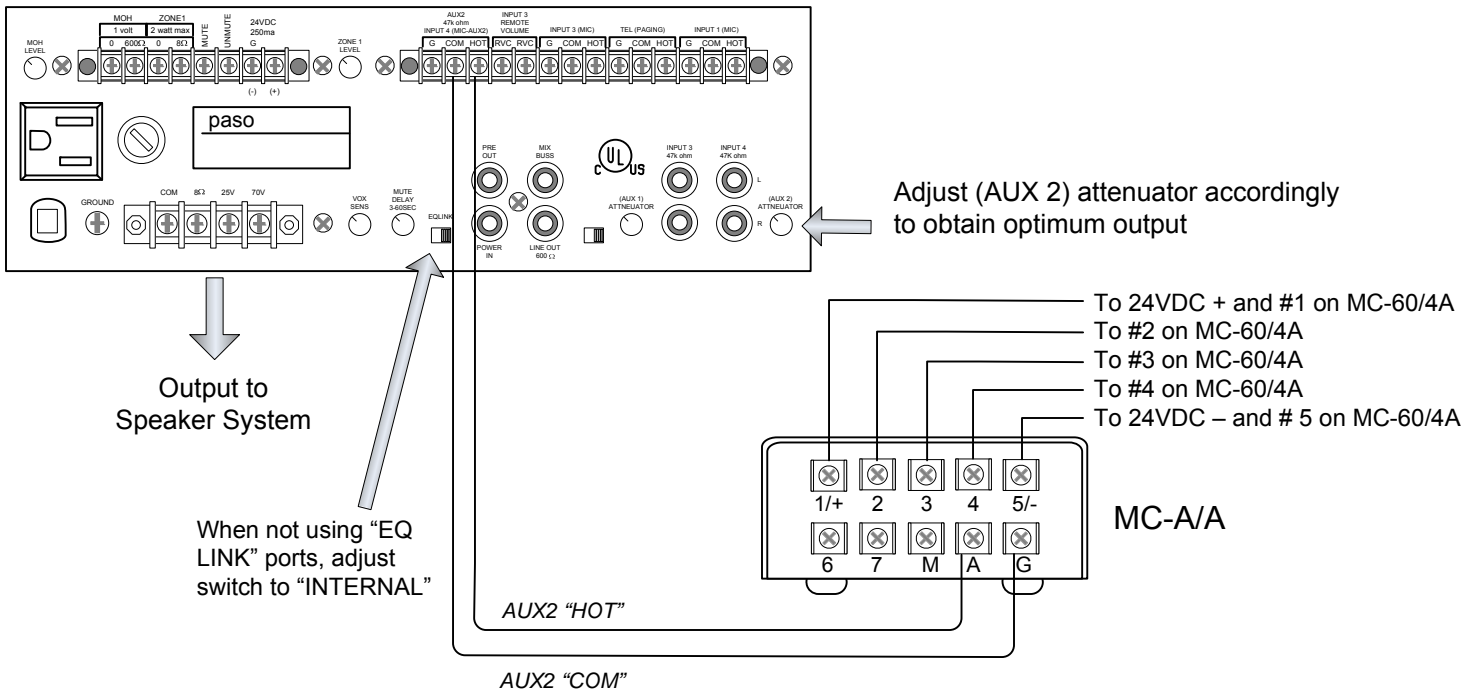
WIRING DIAGRAM

P30BGM with the MC-A/A on the MarketCom Series:



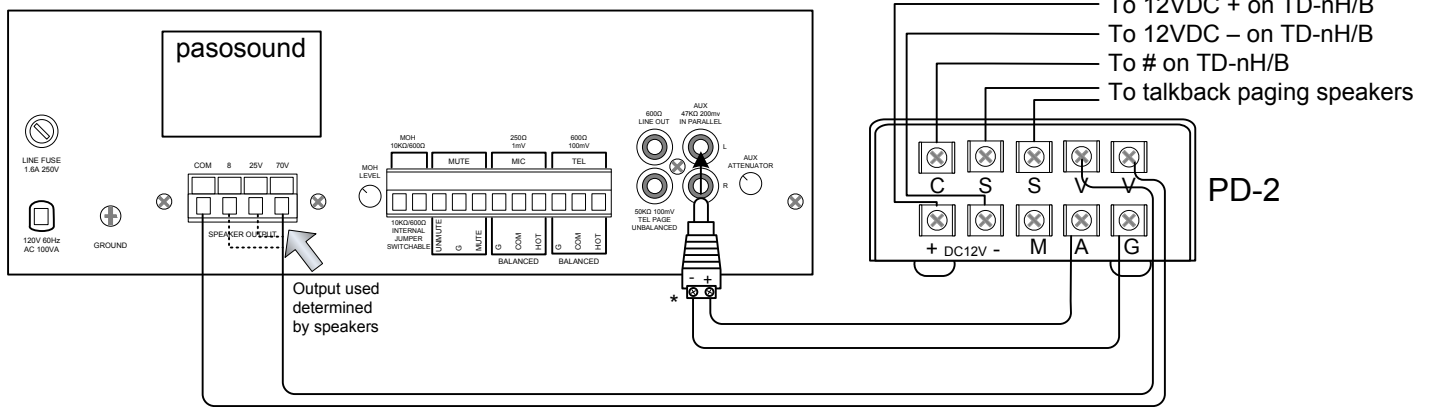
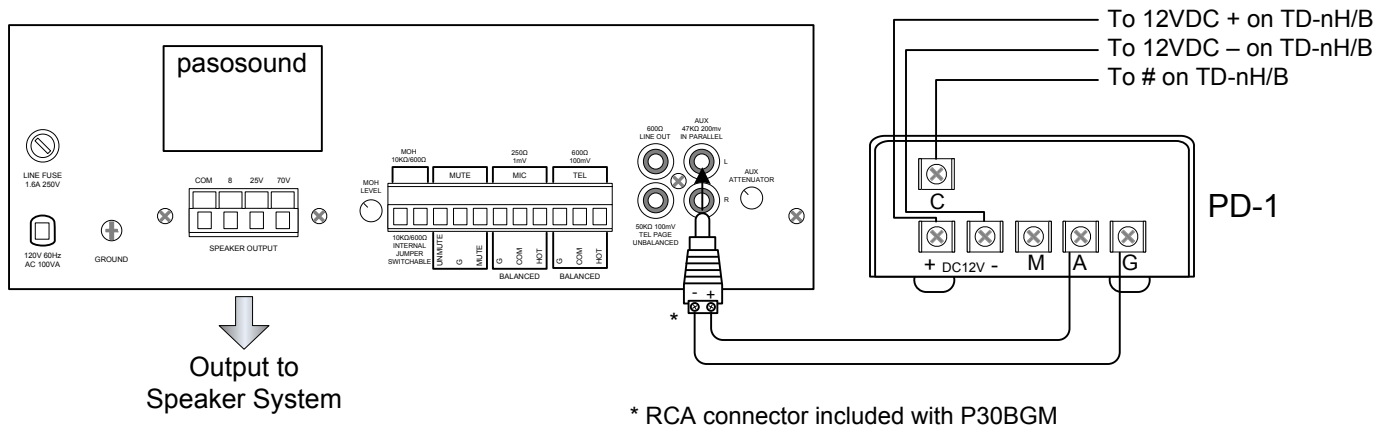
WIRING DIAGRAM

DMA2060 or DMA2120 with the MC-A/A on the MarketCom Series:



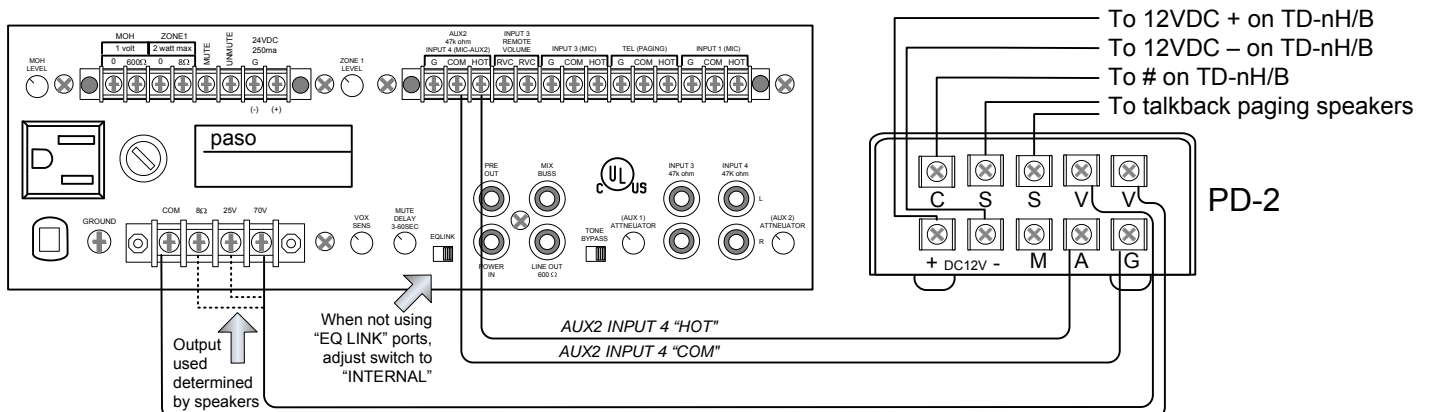
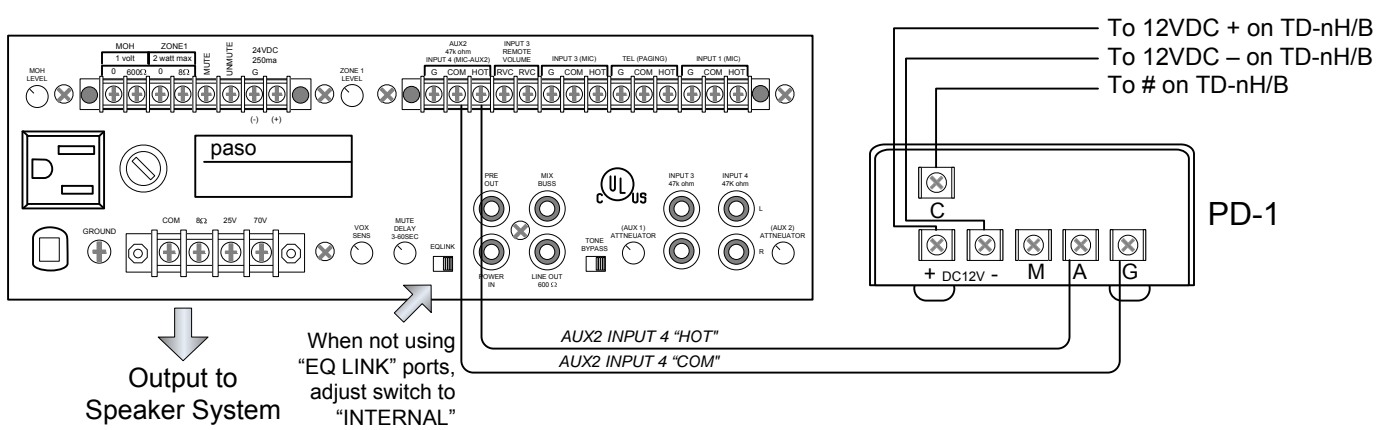
WIRING DIAGRAM

P30BGM with the PD-1 or PD-2 and TD-H Series:



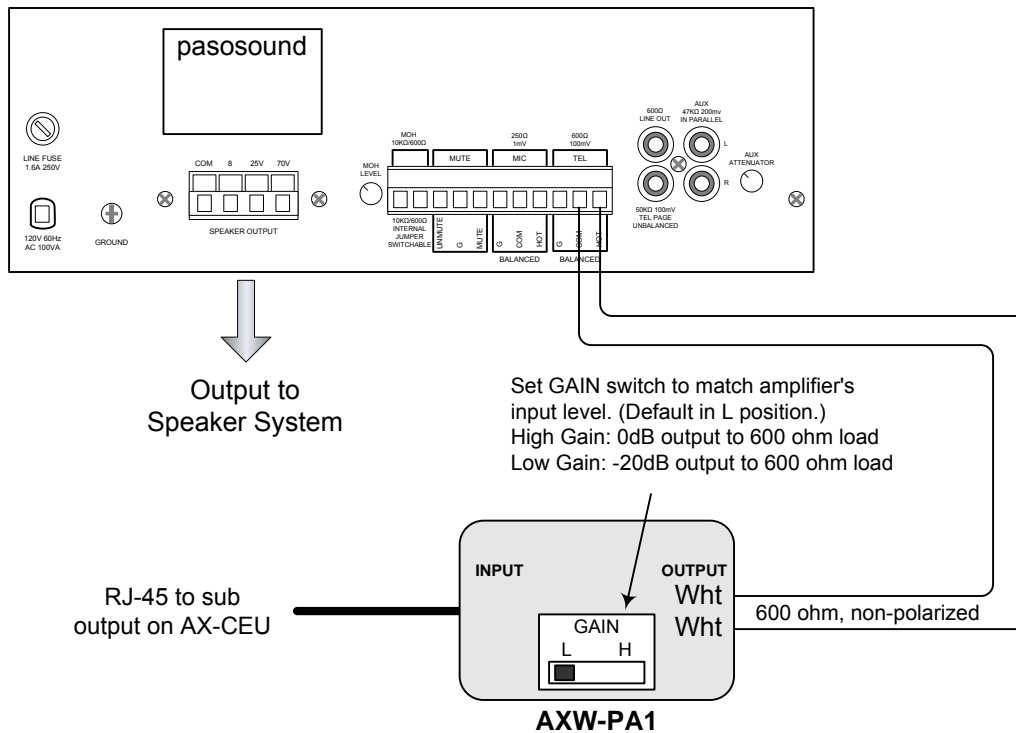
WIRING DIAGRAM

DMA2060 or DMA2120 with the PD-1 or PD-2 and TD-H Series:



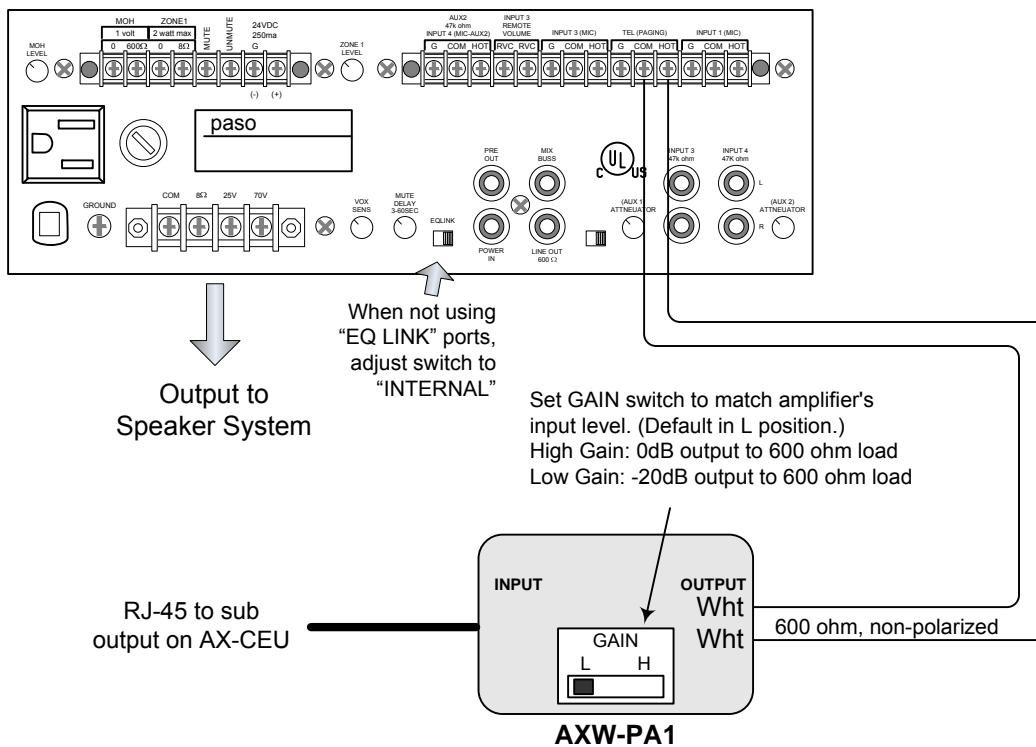
WIRING DIAGRAM

P30BGM with the AXW-PA1 on the AX Series:



WIRING DIAGRAM

DMA2060 or DMA2120 with the AXW-PA1 on the AX Series:



MODELS	WATTAGE	INPUTS	OUTPUTS
P30BGM	30 Watts	Mic (250 ohm, 1 mV) Telephone (600 ohm, 1 mV) Auxiliary (47K ohm, 100mV) Program (10K ohm)	8 ohm 25V 70V
DMA2060	60 Watts	Mic (250 ohm, 1.5mV) Telephone (600 ohm, 100mV) Input 3: Mic 3 - Aux 1 balanced Input 4: Mic 3 - Aux 2 balanced MOH (1V)	8 ohm 25V 70V Zone 1 (8 ohm, 2W) Line out (600 ohm)
DMA2120	120 Watts	Mic (250ohm, 1.5mV) Telephone (600ohm, 100mV) Input 3: Mic 3 - Aux 1 balanced Input 4: Mic 3 - Aux 2 balanced MOH (1V)	8 ohm 25V 70V Zone 1 (8 ohm, 2W) Line out (600 ohm)

See the included PASO Installation & Operation Manual for complete information.

P30BGM (30W)



DMA2060 (60W); DMA2120 (120W)



SERVICE ISSUES:

1. For assistance in connecting a PASO amplifier to an Aiphone system, contact Aiphone Technical Support at (800) 692-0200 during the hours of 6:00am to 4:30pm Pacific Time.
2. For other questions not associated with an Aiphone system, contact PASO Technical Support at (800) 231-3034.

For repair service on a PASO amplifier provided by Aiphone, follow these steps:

1. Call PASO at (800) 231-3034 and ask for a service authorization (SA) number.
2. Advise PASO you purchased the unit from Aiphone and are requesting to have it evaluated for repair.
3. Provide PASO the model number, serial number, and a brief description of the issue(s) you are experiencing.
4. Send the unit in proper packaging to PASO's address below.
5. PASO will repair or replace the unit and return it directly to you, at no charge.
6. PASO amplifiers have a 5-year warranty on parts and labor.

SA# xxxx

PASO SOUND PRODUCTS, INC.

4750 Goer Drive – Building F

Charleston, SC 29406

ATTN: SERVICE DEPARTMENT

SPECIFICATIONS and WARRANTY:

Refer to Paso Installation and Operating Instructions included with the Amplifier.