



IP-based  
Broadband Wireless Access (BWA) System

**605-0000-706 Rev E**

# ProST

## Hardware Installation Guide

Intentionally left blank

# Table Of Contents

Introduction .....	1
Purpose .....	1
Targeted Audience .....	1
Referenced Documentation .....	1
Conventions .....	1
Warnings and Cautions .....	2
Human Exposure to Radio Frequencies .....	2
Radio Interference .....	2
Avoiding Radio Interference.....	2
Modifications .....	2
General .....	2
Manufacturer's Disclaimer Statement .....	2
Declaration of Conformity .....	4
European Community, Switzerland, Norway, Iceland, and Liechtenstein .....	4
Declaration of Conformity with Regard to the R&TTE Directive 1999/5/EC.....	4
System Overview.....	6
ProST Frequency Ranges.....	7
Main Features.....	7
Architecture .....	7
ProST Models.....	8
ProST Block Diagram .....	9
ProST Protocol Stack .....	10
Theory of Operation .....	10
Installation Prerequisites.....	11
Package Contents.....	11
Minimum PC Requirements .....	11
Required Tools.....	11
Radio Site Planning .....	12
Minimal Radio Path Obstructions.....	12
Fresnel Zone Clearance .....	12
Multipath Fading .....	13
Radio Antenna Alignment .....	13
Physical Description .....	15
ProST Physical Description.....	15
Physical Dimensions.....	15
Port.....	15
SDA-1 Physical Description .....	16
Physical Dimensions.....	17

Ports .....	17
LED .....	17
SDA-4S Type II and SDA-4S/VL Type II (Optional).....	18
Physical Dimensions.....	18
Ports .....	19
LEDs .....	20
Mounting the ProST.....	22
Mounting the ProST .....	22
Wall Mounting.....	23
Pole Mounting.....	25
SDA-4S .....	30
Desktop Mounting .....	30
Wall Mounting.....	30
Network Cabling .....	32
Connecting to IDU.....	32
Using the SDA-1 Type II.....	32
Using the SDA-4S Type II or SDA-4S/VL Type II .....	33
Connecting to LAN Network .....	35
Using SDA-1 Type II .....	36
Using the SDA-4S Type II or SDA-4S/VL Type II .....	37
Connecting to Power .....	40
Connecting AC/DC Power Adapter.....	40
Mounting AC/DC Power Adapter .....	43
DC Power Source .....	46
AC Power Source .....	47
Using SDA-1 Type II .....	47
Using SDA-4S Type II and SDA-4S/VL Type II .....	49
Connecting Lightning and Surge Protector.....	50
RSSI LED Plug Adapter .....	54
Antenna Alignment using RSSI LED Plug Adapter .....	54
LED Status.....	55
Connecting External Antenna.....	57
Troubleshooting.....	59
Trademarks and Copyrights.....	60
Contact Information .....	61
Revisions.....	62
Warnings.....	63
1. Disclaimer .....	63
1.1 Safety Warnings .....	63
1.2 Important Warning Symbols.....	63

1.3 Important Service Information.....	64
1.4 UL Information .....	64
1.5 CE Notice .....	64
1.6 European Community, Switzerland, Norway, Iceland, and Liechtenstein.....	65
Declaration of Conformity with Regard to the R&TTE Directive 1999/5/EC.....	65
1.7 CAUTION.....	66
1.8 Lightning Protection .....	66
Glossary .....	68
Index.....	71



## INTRODUCTION

---

Thank you for purchasing Airspan's ProST wireless access device. The ProST customer premise equipment (CPE) is part of Airspan's AS.MAX family of WiMAX-based products.

This section provides a preface by discussing the purpose, audience, organization, conventions, and customer support of this guide.

### Purpose

This guide provides step-by-step instructions for setting up and installing the ProST.

### Targeted Audience



This guide is intended for the technician who is qualified and authorized to install the ProST.

### Referenced Documentation

For a detailed description of the Web-based configuration tool, refer to the *WiMAX Web-based Management User's Guide*.

### Conventions

This guide uses the following typographical conventions:

Convention	Meaning	Example
<b>Bold</b>	Command, menu, icon, button, and field	Click the <b>Next</b> button.
"To" in bold face and at the beginning of a sentence	Introduces a numbered procedure	<b>To download a SW file:</b>
	Warning that provides information that can prevent and avoid bodily or mechanical harm	--
	Note that provides useful information	--

## WARNINGS AND CAUTIONS

---

### Human Exposure to Radio Frequencies

The ProST should be installed and operated from a minimum distance of 20 cm to your body.

### Radio Interference

This equipment generates, uses, and can radiate radio frequency energy and, if not installed and used in accordance with the instructions, may cause harmful interference to radio communications. However, there is no guarantee that interference will not occur in a particular installation. If this equipment does cause harmful interference to radio or television reception, which can be determined by turning the equipment on and off, the user is encouraged to try correct the interference by performing one or more of the following measures:

- ▶ Reorientate or relocate the receiving antenna
- ▶ Increase separation between the equipment and receiver
- ▶ Connect the equipment to an outlet on a circuit different from that to which the receiver is connected
- ▶ Consult the dealer or an experienced radio/TV technician for help

### Avoiding Radio Interference

- ▶ This transmitter must not be co-located or operating in conjunction with any antenna or transmitter.
- ▶ Ensure a minimum of 1-meter separation between co-located ProST's.
- ▶ When using an external antenna, the external antenna must not be co-located or operating in conjunction with any other antenna or transmitter.

### Modifications

Any changes and modifications to this device that are not expressly approved by Airspan may void the user's authority to operate the equipment.

### General

- ▶ Only qualified personnel should be allowed to install, replace, and service the equipment.
- ▶ The device cannot be sold retail, to the general public or by mail order. It must be sold to dealers.
- ▶ Installation must be controlled.
- ▶ Installation must be performed by licensed professionals.
- ▶ Installation requires special training.
- ▶ The AS.MAX radios and antennas should be installed ONLY by experienced installation professionals who are familiar with local building and safety codes and, wherever applicable, are licensed by the appropriate government regulatory authorities. Failure to do so may void Airspan's AS.MAX product warranty and may expose the end user or the service provider to legal and financial liabilities. Airspan and its resellers or distributors are not liable for injury, damage or violation of regulations associated with the installation of outdoor units or antennas.
- ▶ Do not mount outdoor radios and external antennas in weather that may increase risk of electrocution such as rain or lightning.
- ▶ To prevent ESD damage to devices, always wear an ESD wrist strap when handling these devices or coming into contact with internal components.

### Manufacturer's Disclaimer Statement



The information in this document is subject to change without notice and does not represent a commitment on the part of the vendor. No warranty or representation, either expressed or implied, is made with respect to the quality, accuracy or fitness for any particular purpose of this document. The manufacturer reserves the right to make changes to the content of this document and/or the products associated with it at any time without obligation to notify any person or organization of such changes. In no event will the manufacturer be liable for direct, indirect, special, incidental or consequential damages arising out of the use or inability to use this product or documentation, even if advised of the possibility of such damages. This document contains materials protected by copyright. All rights are reserved. No part of this manual may be reproduced or transmitted in any form, by any means or for any purpose without expressed written consent of its authors. Product names appearing in this document are mentioned for identification purposes only. All trademarks, product names or brand names appearing in this document are registered property of their respective owners.

## DECLARATION OF CONFORMITY

---

**European Community, Switzerland, Norway, Iceland, and Liechtenstein**

### Declaration of Conformity with Regard to the R&TTE Directive 1999/5/EC

**English:**

This equipment is in compliance with the essential requirements and other relevant provisions of Directive 1999/5/EC.

**Deutsch:**

Dieses Gerät entspricht den grundlegenden Anforderungen und den weiteren entsprechenden Vorgaben der Richtlinie 1999/5/EU.

**Dansk:**

Denne udstyr er i overensstemmelse med de væsentlige krav og andre relevante bestemmelser i Direktiv 1999/5/EF.

**Español:**

Este equipo cumple con los requisitos esenciales así como con otras disposiciones de la Directiva 1999/5/EC.

**Greek:**

ΜΕ ΤΗΝ ΠΑΡΟΥΣΑ Airspan ΔΗΛΩΝΕΙ ΟΤΙ Ο ΕΞΟΠΛΙΣΜΟΣ ΣΥΜΜΟΡΦΩΝΕΤΑΙ ΠΡΟΣ ΤΙΣ ΟΥΣΙΩΔΕΙΣ ΑΠΑΙΤΗΣΕΙΣ ΚΑΙ ΤΙΣ ΛΟΙΠΕΣ ΣΧΕΤΙΚΕΣ ΔΙΑΤΑΞΕΙΣ ΤΗΣ ΟΔΗΓΙΑΣ 1999/5/ΕΚ.

**Français:**

Cet appareil est conforme aux exigences essentielles et aux autres dispositions pertinentes de la Directive 1999/5/EC.

**Íslenska:**

Þessi búnaður samrýmist lögboðnum kröfum og öðrum ákvæðum tilskipunar 1999/5/ESB.

**Italiano:**

Questo apparato é conforme ai requisiti essenziali ed agli altri principi sanciti dalla Direttiva 1999/5/EC.

**Nederlands:**

Deze apparatuur voldoet aan de belangrijkste eisen en andere voorzieningen van richtlijn 1999/5/EC.

**Norsk:**

Denne utstyret er i samsvar med de grunnleggende krav og andre relevante bestemmelser i EU-direktiv 1999/5/EC.

**Português:**

Este equipamento satisfaz os requisitos essenciais e outras provisões da Directiva 1999/5/EC.

**Suomalainen:**

Tämä laite täyttää direktiivin 1999/5/EY oleelliset vaatimukset ja on siinä asetettujen muidenkin ehtojen mukainen.

**Svenska:**

Denna utrustning är i överensstämmelse med de väsentliga kraven och andra relevanta bestämmelser i Direktiv 1999/5/EC.

The Declaration of Conformity related to this product can be obtained from [product\\_management@Airspan.com](mailto:product_management@Airspan.com)

## SYSTEM OVERVIEW

---

The ProST is an outdoor WiMAX-based customer premises equipment (CPE). The ProST, which uses Intel Corporation's Pro/Wireless 5116 broadband interface, connects IP-enabled devices directly to WiMAX networks. Designed for the residential and small enterprise (SME) markets, the device supports high-speed broadband Internet through a Fast Ethernet connection.

The ProST ensures high service availability at enhanced ranges, operating in both LOS and NLOS propagation environments. ProST uses the OFDM signaling format, providing non line-of-sight (NLOS) performance. ProST utilizes QAM, QPSK, and BPSK modulation technologies by modulating transmitted signals and demodulating the received signals where the original digital message can be recovered. The use of adaptive modulation allows ProST to optimize throughput, yielding higher throughputs while also covering long distances.

ProST models support IP services at speeds of up to 37 Mbit/s over-the-air gross rates over channel bandwidths of up to 10 MHz in both uplink and downlink. ProST is available in numerous ETSI frequency bands, operating in FDD and TDD modes in numerous channels, see: ProST Frequency Ranges.

ProST can be deployed with a built-in, integral antenna or alternatively, with an external antenna to provide better radio coverage. Requiring professional installation, the ProST is installed outdoors on a pole or wall, enabling optimal positioning for best reception with the BS. Outdoor mounting of the ProST is made possible due to ProST's built-in lightning surge protection feature (complying with Surge Immunity standard EN 61000-4-5).

ProST is powered from an outdoor, weatherproof AC/DC power adapter, providing 10 to 52 VDC power supply or through the SDA-1 Type II (referred henceforth as SDA-1) adapter which interfaces with the subscriber's LAN. ProST connects to the SDA-1's 100BaseT interface port by a standard 100-meter CAT-5 cable. The SDA-1 also provides the ProST with 10 to 52 VDC power supply. However, as an alternative to these adapters, Airspan offers two optional integrated LAN switches:

- **SDA-4S Type II**: integrated LAN switch, providing four 10/100BaseT ports for interfacing with the subscriber's network
- **SDA-4S/VL Type II**: integrated LAN switch, providing four 10/100BaseT ports with VLAN functionality for interfacing with the subscriber's network

ProST can be managed by Airspan's Web-based management system using standard Web browsers or alternatively, by an SNMP-based network management system (Netspan) using standard and proprietary MIBs. In addition, external third-party management systems such as HP OpenView can also manage the ProST using these MIBs.

## ProST Frequency Ranges

The table below lists the frequency range of ProST models currently available. This table will grow as more models become available.

Frequency Band	Channel Bandwidth	Channel Throughput
3.3 – 3.5 GHz in TDD mode	▶ 1.75 MHz	▶ speeds of up to 6.5 Mbps
	▶ 3.5 MHz	▶ speeds of up to 13.1 Mbps
	▶ 5 MHz	▶ speeds of up to 18 Mbps
3.4 – 3.6 GHz in FDD mode	▶ 1.75 MHz	▶ speeds of up to 6.5 Mbps
	▶ 3.5 MHz	▶ speeds of up to 13.1 Mbps
4.9 – 5.0 GHz in TDD mode	▶ 5 MHz	▶ speeds of up to 18 Mbps
	▶ 10 MHz	▶ speeds of up to 37 Mbps
5.725 – 5.825 GHz in TDD mode	▶ 5 MHz	▶ speeds of up to 18 Mbps
	▶ 10 MHz	▶ speeds of up to 37 Mbps

## Main Features


The ProST provides the following main features:

- ▶ Full Outdoor Non-LOS Deployment: 256 OFDM
- ▶ Based on the latest wireless technology WiMAX IEEE 802.16 standard
- ▶ Integrated antenna gain of 15 dBi or 17 dBi (latest version)
- ▶ Indoor Ethernet adapter (SDA-1 Type II):
  - providing power and interface termination
  - up to 100-m Category 5 cable between ProST and SDA-1
- ▶ High throughput providing fast access at burst data rates up to 37 Mbps over-the-air (gross rate) over up to a 10 MHz channel
- ▶ Option of LAN switch with indoor adapter
- ▶ Up to 4 ports with VLAN port switching
- ▶ Integral WiFi and LAN switch -- planned for future
- ▶ Integral VoIP -- planned for future
- ▶ E1/T1 -- planned for future
- ▶ Low cost

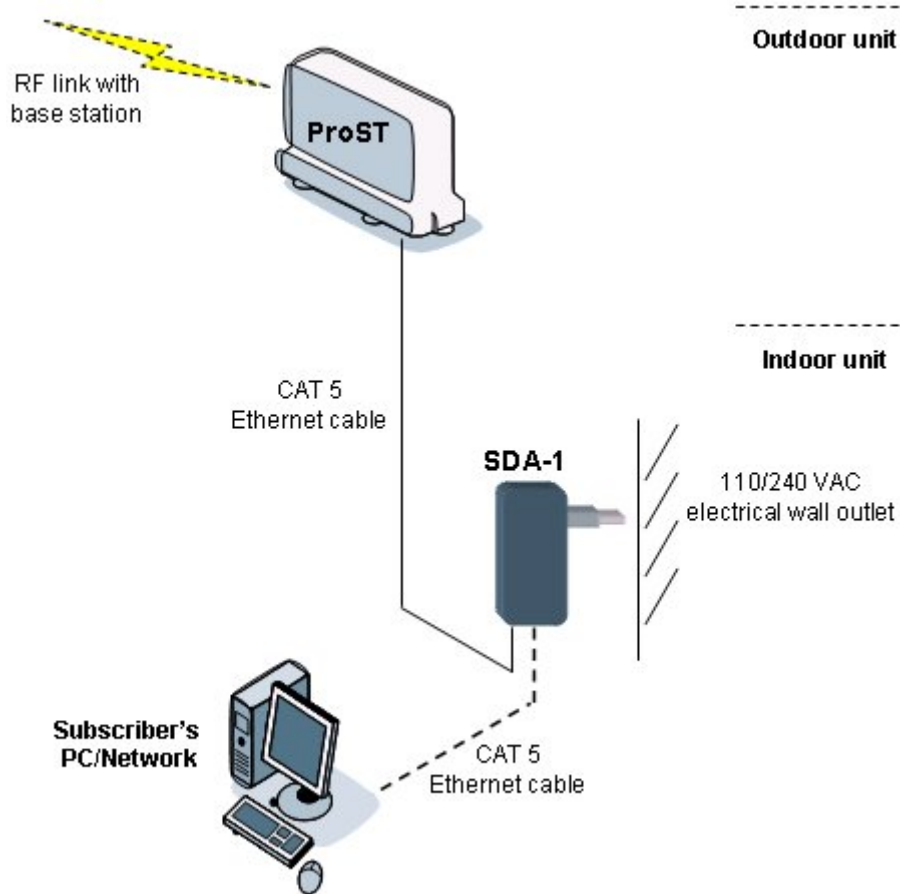
## Architecture

The ProST installation consists of the following components:

- ▶ Encased ProST outdoor unit (available in two variations)
- ▶ Encased outdoor AC/DC power adapter, SDA-1 indoor adapter or optional SDA-4S Type II or SDA-4S/VL Type II
- ▶ Third-party external antenna (optional deployment)

 **Note:** The SDA-1 Type II adapter can also be implemented with other Airspan's ASWipLL radios (i.e. BSR, PPR, and SPR). For further information regarding these products, please contact your nearest Airspan dealer.

The figure below displays a typical architecture setup of the ProST with an integrated antenna.



### ProST Models

The ProST is available in the following variations, differing in antenna configuration:

- ▶ ProST with built-in (integrated), flat-panel antenna
- ▶ ProST with N-type connector for attaching third-party external antenna (i.e. no integrated antenna)

The ProST model with the integrated antenna is shown below:



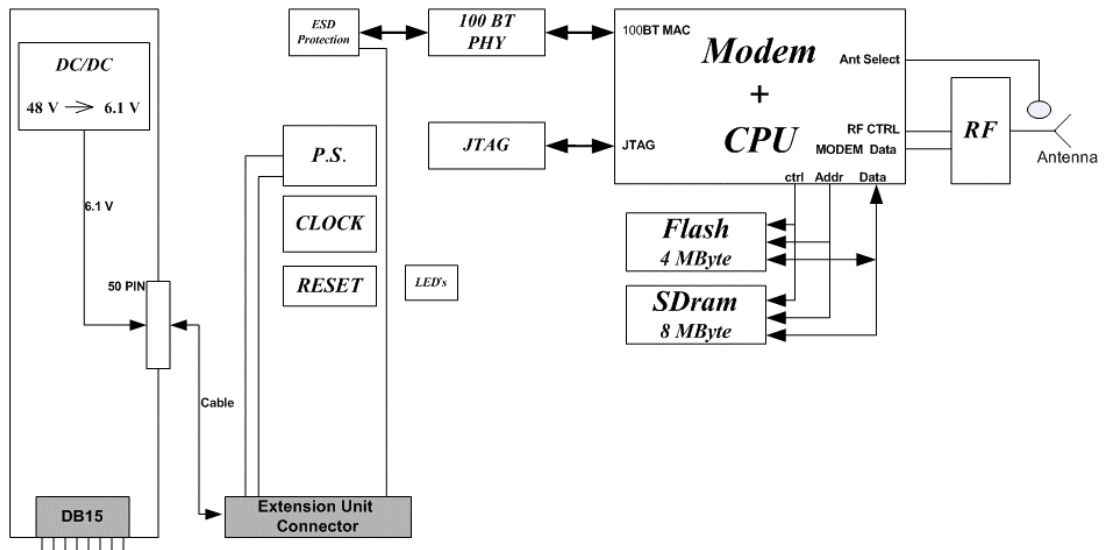
The ProST model with the N-type connector for connecting an external antenna is shown below:



N-type connector

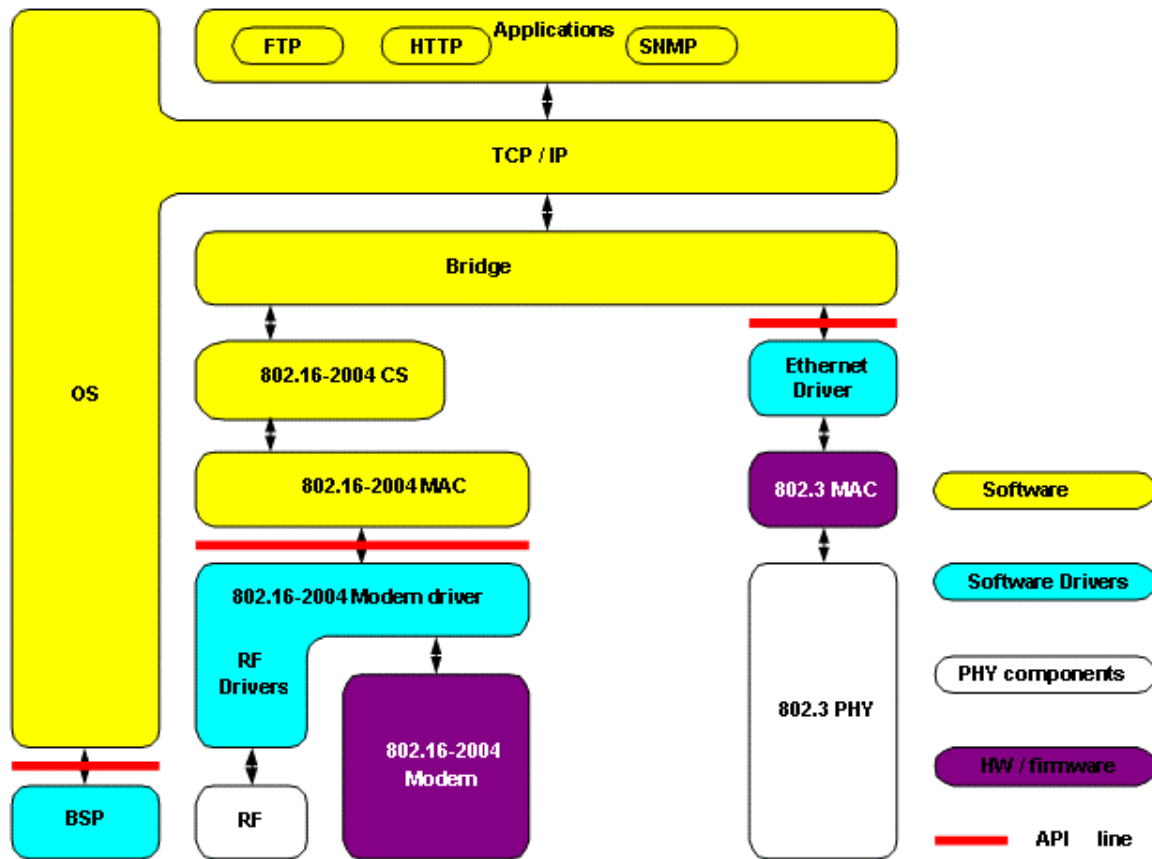
### ProST Block Diagram

The figure below displays a block diagram of the ProST:



## ProST Protocol Stack

The figure below displays a block diagram of the ProST's network architecture, designed as a hierarchy of protocols (i.e. protocol stack) implemented in the communication network.



## Theory of Operation

For basic operation, the ProST requires no initial configuration--simply plug and play. Configuration is automatically performed over the air by the BS. The ProST is preconfigured by the operator at the BS (using Netspan) with service flow parameters such as the maximum information rate, the committed information rate, the maximum latency, and maximum jitter. These configuration parameters are stored in Netspan's database corresponding to the ProST's MAC address.

Before any communication between ProST and BS can occur, the ProST must be positioned in a location that provides sufficient RF reception.

To join a network, the ProST needs to perform a few tasks. First, the "Network Entry" process (defined in 802.16-2004) begins with the ProST scanning for a downlink (DL) signal from the base station, and then synchronizing to the DL channel. Thereafter the ProST can start the process of initial ranging, which alerts the BS to the presence of the ProST and establishment of management connections to obtain basic and primary management connection IDs (CID) from the BS. After the CIDs have been obtained, the ProST commences authorization and key exchange. In the final stage, the ProST registers at the base station before obtaining the IP address, time of day and the configuration file.

During Network entry, the ProST sends the BS its MAC address. The BS then accesses Netspan's database (via SNMP) and checks whether the ProST's MAC address appears in the DB. If it locates the MAC address, the BS retrieves all the ProST's configuration parameters (service flows) from the DB and downloads them to the ProST device.



## INSTALLATION PREREQUISITES

---

Before installing your ProST, read the following to ensure that:


- ▶ No items are missing from the package
- ▶ Minimum computer requirements are fulfilled
- ▶ You have the required installation tools
- ▶ Radio Site planning has been performed


### Package Contents

Examine the ProST shipping container. If you notice any damage, or missing items as listed in the Packing List, immediately notify the carrier that delivered the unit and contact a Airspan representative.

The ProST kit should contain the following items:

- ▶ ProST
- ▶ DB15-to-RJ45 adapter for plugging into the ProST's 15-pin D-type port
- ▶ Wall-mounting kit:
  - Mounting bracket
  - 2 x M10 hex head screws
  - 2 x M10 hex nuts
  - 2 x M10 plain washers
  - 2 x M10 spring lock washers

 **Note:** The standard ProST kit does not include pole-mounting accessories. For pricing and ordering of pole-mounting accessories, please contact your nearest Airspan dealer.

 **Note:** The standard ProST kit does not include the SDA-1 Type II adapter. For pricing and ordering of the SDA-1 Type II adapter, please contact your nearest Airspan dealer.

### Minimum PC Requirements

Ensure that your computer provides an Ethernet interface such as a Network Interface Card (that provides an RJ-45 port).




**Warning:** Only subscriber terminal equipment (e.g. computer modem port) that is designed for full compliance with TNV-1 telecommunication network can be connected to the SDA-1. Warranty of Airspan's equipment shall be made void if the SDA-1 is connected to a computer that is not compliant with TNV-1.

### Required Tools

The following tools are required to install the ProST unit:

- ▶ Crimping tool for crimping CAT-5 cables to RJ-45 connectors
- ▶ Cable stripping tool
- ▶ Wall Mounting:
  - drill bits
  - 4 x wall anchors
  - 4 x screws

- Philips head screwdriver
- Flat-blade screwdriver
- A/F open ended spanner
- ▣ Crimping tool for crimping RF cable to N-type connector (only relevant when implementing external antenna)
- ▣ Torque wrench for N-type connectors (only relevant when implementing external antenna)

 **Note:** Airspan does not provide screws and wall anchors for mounting the ProST to the wall. The screw size depends on the structure of the building to which the ProST is to be attached. When selecting screw sizes, consideration must be given to the weight of the ProST and load that may be induced in windy conditions.

## Radio Site Planning

Proper site selection and planning before installing your ProST will ensure a successful deployment of your AS.MAX system. Site planning includes the following main considerations:

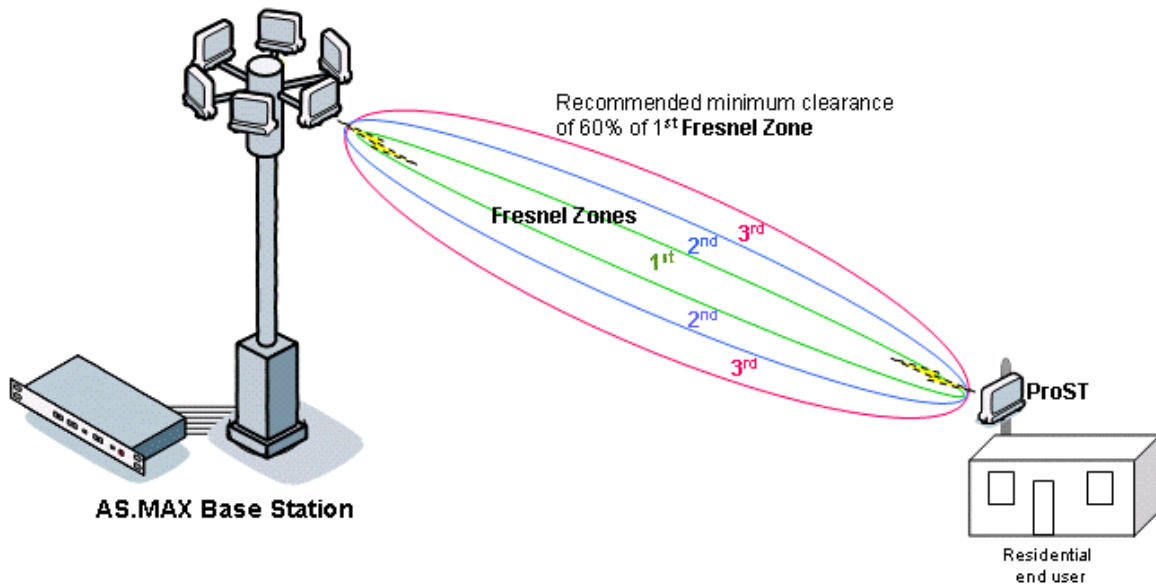
- ▣ Minimum obstructions (e.g. buildings) in the radio path between base station and the ProST.
- ▣ Mount radios as high as possible to avoid obstructions in the wireless path.
- ▣ Check possibility of future obstructions such as plans to erect buildings and trees that may grow tall enough to obstruct the wireless path.
- ▣ Minimum incursions on Fresnel Zone (recommended minimum of 60% clearance of first Fresnel Zone).
- ▣ Align antenna for maximizing received signal strength (RSS).
- ▣ Consider nearby sources of interference that could degrade performance of radio. Mount radios as far from sources of interference as possible.
- ▣ Ensure base station and ProST are within maximum coverage range of reception.
- ▣ Maximum standard CAT-5 cable length connecting the outdoor ProST to the indoor SDA-1 is 100 meters.
- ▣ Ensure that you have sufficient wiring conduit and cable ties to channel and protect the CAT 5 cable connecting the outdoor ProST to the indoor SDA-1.

### Minimal Radio Path Obstructions

AS.MAX radios communicate by propagation of waves. Thus, ensure minimum obstructions (from, e.g. buildings and trees) in the radio path between base station and ProST. It is essential that the radios or antennas be installed in such a way that their radio paths have a clear path with each other.

### Fresnel Zone Clearance

There must be sufficient open space around the radio path to minimize blocking of the radio beam. A minimum of 60% of the first Fresnel Zone of the path should be clear of obstructions. Despite a clear line-of-sight, objects close enough to the transmission path may cause attenuation in signal strength and an increase in signal interference. Objects with reflective surfaces that seem relatively far away, may still encroach on the Fresnel Zone, and cause interference.



Fresnel Zones define the amount of clearance required from obstacles. These zones are composed of concentric ellipsoid areas surrounding the straight-line path between two antennas. Thus, the zone affects objects to the side of the path and those directly in the path. The first Fresnel Zone is the surface containing every point for which the distance from the transmitter to any reflection point on the surface point and then onto the receiver is one-half wavelength longer than the direct signal path.

One method for clearing the Fresnel Zone is by increasing the antenna height.

The first Fresnel Zone radius is calculated by the following equation:

$$r = \sqrt{\frac{75 \cdot d}{f}}$$

Where  $f$  is the frequency (in MHz) and  $d$  is the distance (in meters) between the ProST and the base station.

For example, using the formula above, a link of 4 km at 700 MHz produces a first Fresnel Zone radius clearance of about 20 meters. This implies that to ensure the ground does not enter into the first Fresnel Zone, both antennas (i.e. at Base Station and subscriber) must be mounted at least 20 meters above ground level (or clutter level). Typically, at least 60% clearance of the first Fresnel Zone is considered as LOS. Therefore, in the above example, a height of at least 12 meters (i.e. 60% of 20 meters) above ground level is sufficient for LOS.

### Multipath Fading

Some of the transmitted signals may be reflected from a nearby building, by water under the signal path, or from any other reflectors. This reflected ("bounced") signal can then be received by the radio receiving the signal and superimposed on the main received signal, thereby degrading the signal strength.

To avoid multipath fading from nearby buildings etc., Airspan recommends installing the outdoor radios at the rear end of the buildings instead of at the front. When you install at the rear end of the building, the front-end of the building blocks incoming signals from multipath reflections.

### Radio Antenna Alignment

Once the ProST is installed and aimed in the general direction of the base station, it is recommended to measure the received signal strength (RSS) to determine the signal strength received from the base station, and to precisely align the ProST for maximum signal strength. You need to orientate (up/down, left/right) the ProST until the maximum RSSI levels are

achieved, and then secure the ProST. For viewing RSS values, see "Web-based Management" for standard alignment, for finer alignment, see RSSI LED Plug Adapter.

## PHYSICAL DESCRIPTION

---

This section provides a description of the components of the ProST installation:

- ▶ ProST radio (outdoor unit)
- ▶ SDA-1 adapter (indoor unit -- switch and power interface)
- ▶ SDA-4S Type II and SDA-4S/VL Type II adapters (optional)

### ProST Physical Description

The ProST is an enclosed outdoor radio providing access to communication ports on its bottom panel. The ProST's back panel provides holes for ProST mounting.

This subsection provides the following ProST physical descriptions:

- ▶ Dimensions
- ▶ Port

#### Physical Dimensions

The table below lists the physical dimensions of the ProST.

Parameter	Value
Dimensions (H x W x D)	311 x 244 x 65.5 mm (12.24 x 9.6 x 2.57 inches)
Weight	1.94 kg (approximate)

#### Port

The ProST provides a 15-pin D-type port for interfacing with the SDA-1. For convenience, a DB15-to-RJ45 adapter is supplied for attaching to the 15-pin D-type port to allow the use of RJ-45 connectors for outdoor-to-indoor CAT 5 connectivity.

For ProST models implementing third-party external antennas, an N-type port is also provided on the bottom panel.



15-pin D-type port for  
100BaseT and power  
interface

DB15-to-RJ45 adapter  
for attaching to 15-pin D-type



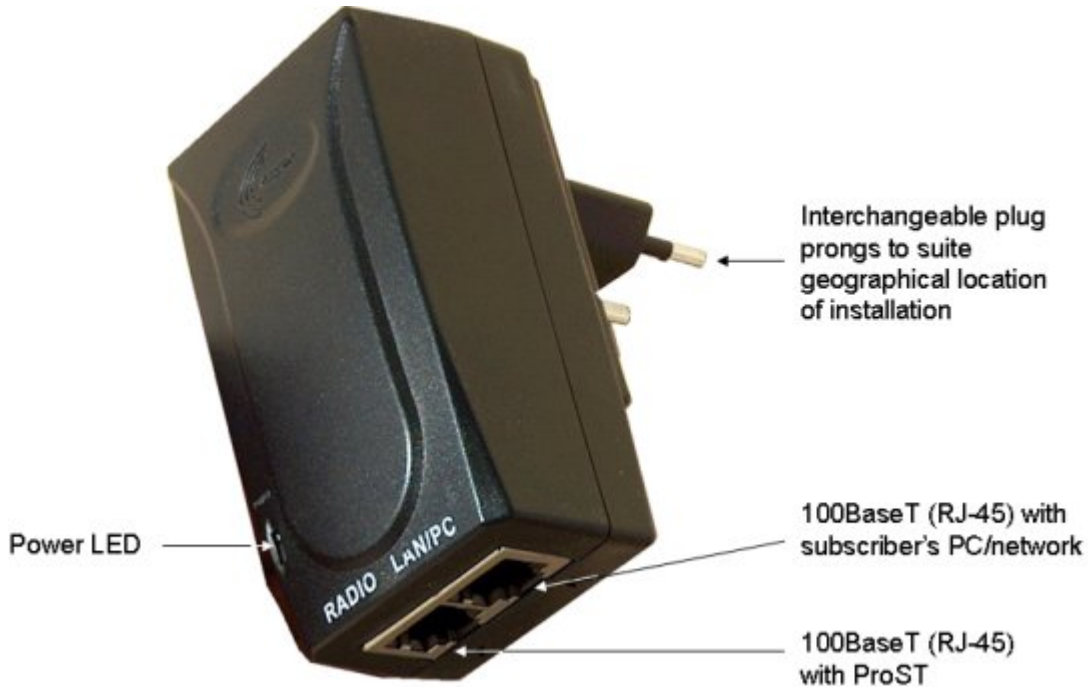
### SDA-1 Physical Description

The SDA-1 is an integrated Ethernet and AC/DC power supply adapter that simply plugs into a standard electrical wall outlet (110/240 VAC). The SDA-1 enables easy plug prong replacement to suit geographical location of electrical outlet sockets (e.g. American vs. European).

The SDA-1 provides the ProST with the following interfaces:

- ▶ 10/100BaseT interface with subscriber's network/PC
- ▶ 10 to 52 VDC power supply

The SDA-1 physical description is shown in the figure below:



This section provides the following SDA-1 physical descriptions:

- ▣ Dimensions
- ▣ Ports
- ▣ LED

### Physical Dimensions

The SDA-1 physical dimensions are described in the table below:

Parameter	Value
<b>Dimensions (L x W x H)</b>	72 x 42.5 x 26 mm (2.83 x 1.67 x 1.02 inches)
<b>Weight</b>	0.159 kg

### Ports

The SDA-1 provides two ports, as described in the table below:

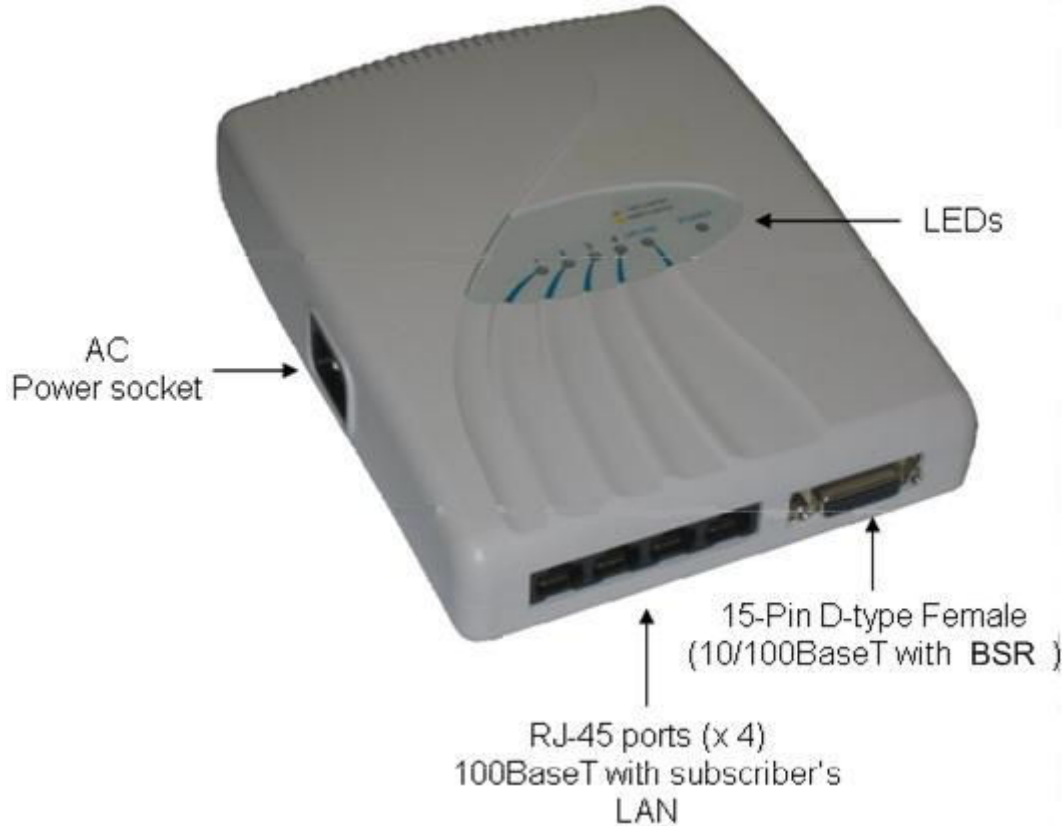
Port	Label	Interface
8-pin RJ-45	RADIO	10/100BaseT with ProST radio
8-pin RJ-45	LAN/PC	10/100BaseT with subscriber's network

### LED

The SDA-1 provides a green power LED (labeled **POWER**), located on its front panel. This LED light not only indicates the presence of power, but also can indicate incorrect SDA-1 port assignment for the network cables, i.e. from the ProST and computer. For a detailed description of the **POWER** LED, see Troubleshooting.

## SDA-4S Type II and SDA-4S/VL Type II (Optional)

The SDA-4S Type II and SDA-4S/VL Type II indoor units (hereafter referred to as *SDA-4S* for convenience) are two optional integrated LAN switches that offer an alternative to the SDA-1 Type II unit. These two units have identical physical dimensions and design, as displayed in the figure below.



This subsection provides the following SDA-4S physical descriptions:

- ▣ Dimensions
- ▣ Ports
- ▣ LEDs

### Physical Dimensions

The SDA-4S Type II and SDA-4S/VL Type II physical dimensions are described in the table below:


Parameter	Value
<b>Dimensions (L x W x H)</b>	200 x 150 x 40 mm (7.87 x 5.9 x 1.57 inches)
<b>Weight</b>	0.577 kg



## Ports

The SDA-4S Type II and SDA-4S/VL Type II adapters provide ports on their bottom panels, which are described in the table below:

Port	Interface
4 x 8-pin RJ-45	10/100BaseT with subscriber's network (supports Auto Negotiation and MDI/MDI-X automatic crossover, allowing connection of straight-through or crossover cables)
15-pin D-type (female)	10/100BaseT with ProST
AC power socket	Subscriber's power outlet (110/240 VAC, 50/60 Hz)

 **Note:** The ports of the SDA-4S models support Auto Negotiation, allowing automatic configuration for the highest possible speed link (10BaseT or 100BaseT), and Full Duplex or Half Duplex mode. In other words, the speed of the connected device (e.g. PC) determines the speed at which packets are transmitted through the specific SDA-4S port. For example, if the device to which the port is connected is running at 100 Mbps, the port connection will transmit packets at 100 Mbps. Conversely, if the device to which the port is connected is running at 10 Mbps, the port connection will transmit packets at 10 Mbps.

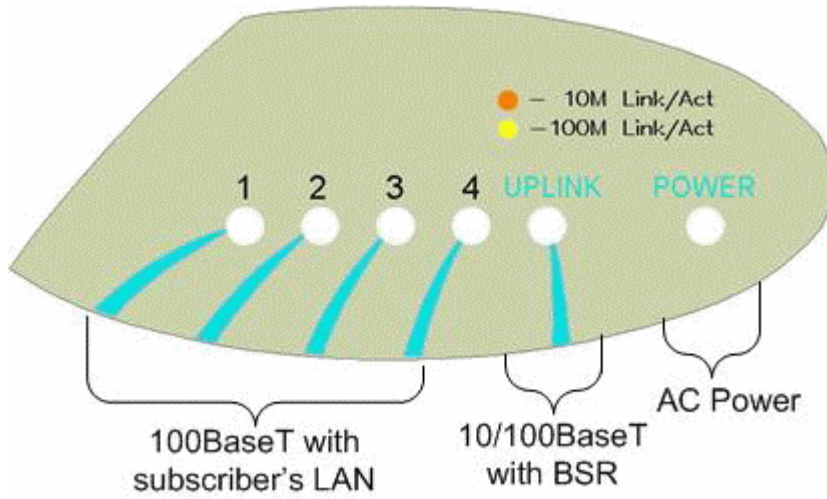
In addition, the SDA-4S ports support MDI/MDI-X automatic crossover, allowing connection to straight-through or crossover cables.

## LEDs

The SDA-4S Type II and SDA-4S/VL Type II adapters (referred conveniently as *SDA-4S*) provide LED indicators on their top panels, which are described in the table below:

LED	Color	Status	Meaning
<b>UPLINK</b>	<b>Yellow</b> (100BaseT) or <b>Orange</b> (10BaseT)	On	Physical link (10BaseT or 100BaseT) between SDA-4S adapter and ProST
		Blinking	Traffic currently flowing between SDA-4S and ProST
		Off	No link between SDA-4S and ProST
<b>1, 2, 3, 4</b>	<b>Yellow</b> (100BaseT) or <b>Orange</b> (10BaseT)	On	Physical link (10BaseT or 100BaseT) between SDA-4S and subscriber's Ethernet network
		Blinking	Traffic currently flowing between SDA-4S and subscriber's Ethernet network
		Off	No link between SDA-4S and subscriber's Ethernet network
<b>POWER</b>	<b>Green</b>	On	Power received by SDA-4S
		Off	No power received by SDA-4S

The figure below displays the LEDs which are located on the top panel of the SDA-4S Type II and SDA-4S/VL Type II adapters:



## MOUNTING THE PROST

---

This section describes the mounting procedures for the ProST and the optional SDA-4S adapters.

### Mounting the ProST



**Warning:** ProST is an outdoor radio unit and therefore, must only be mounted outdoors.

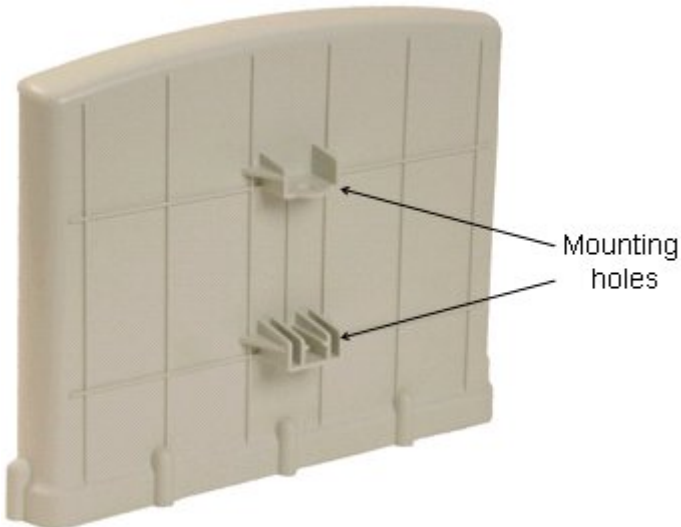


**Warning:** Mount the ProST in an orientation such that its 15-pin D-type port (located on the bottom panel) faces downwards. This prevents rain water from settling on the port, and thereby, avoiding damage to the unit such as corrosion and electrical short-circuiting.

The ProST offers two optional methods for outdoor mounting:

- ▣ Wall mounting
- ▣ Pole mounting

For either mounting methods, the ProST provides mounting holes molded into its back panel for attaching the wall or pole-mounting brackets, as displayed in the figure below.

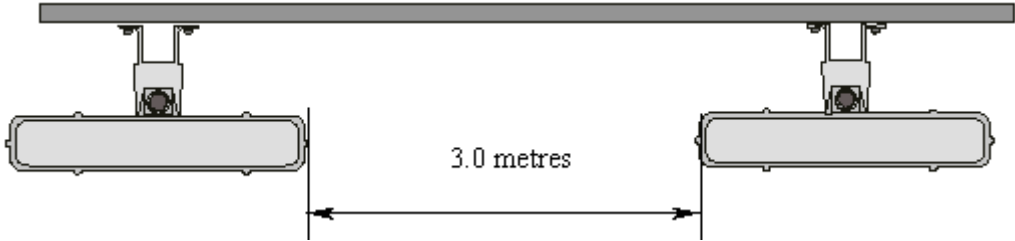


**Note:** The standard ProST kit provides wall-mounting brackets. To pole mount the ProST, contact your nearest Airspan distributor for pricing and ordering of pole-mounting brackets.



**Note:** A minimum of 3-meter separation is required between mounted ProSTs and existing customer radio equipment when transmitting on different sectors (see figure below). However, only a 1-meter separation is required between ProSTs when on the same sector and transmitting to the same base station radio without requiring shielding.

The figure below illustrates the minimum separation between mounted ProST's when transmitting on different sectors:



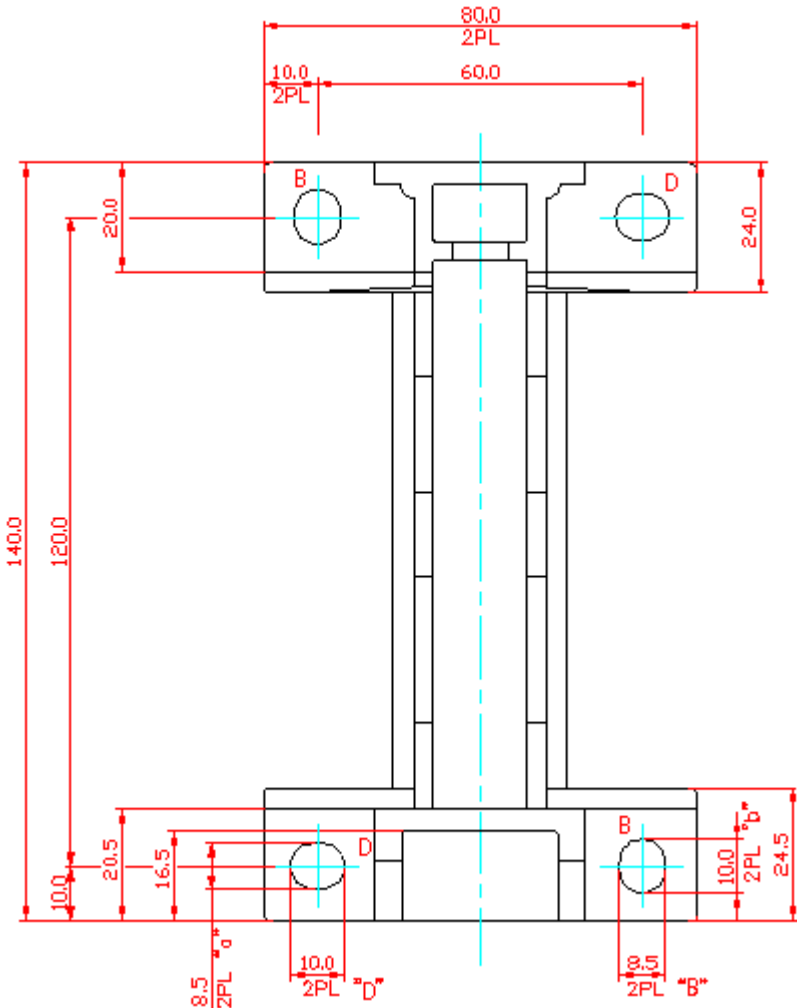
### Wall Mounting

The ProST is wall mounted in two main stages:

- Attaching the mounting bracket to the ProST's mounting holes
- Attaching the mounting bracket (attached to the ProST ) to the wall


#### To wall mount the ProST:

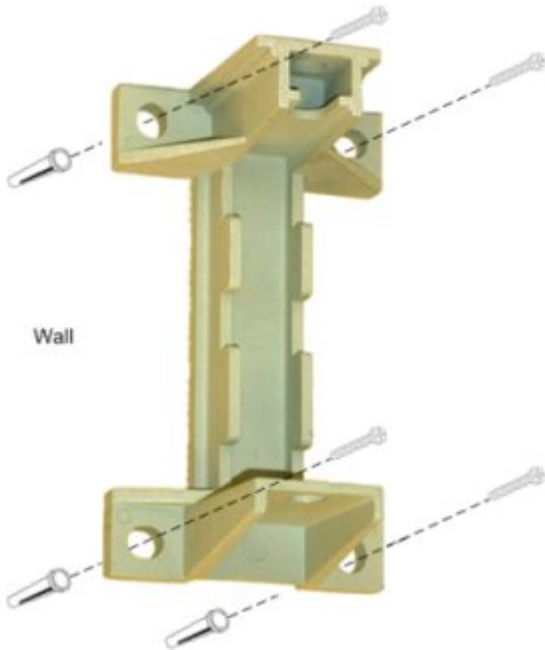
1. Position the unassembled mounting bracket on the mounting surface (e.g. wall), and then use a pencil to mark the position of the four mounting holes. Ensure that the distance between the hole centers are 120 mm (height) and 60 mm (width), as displayed in the figure below showing the ProST's fixing dimensions.



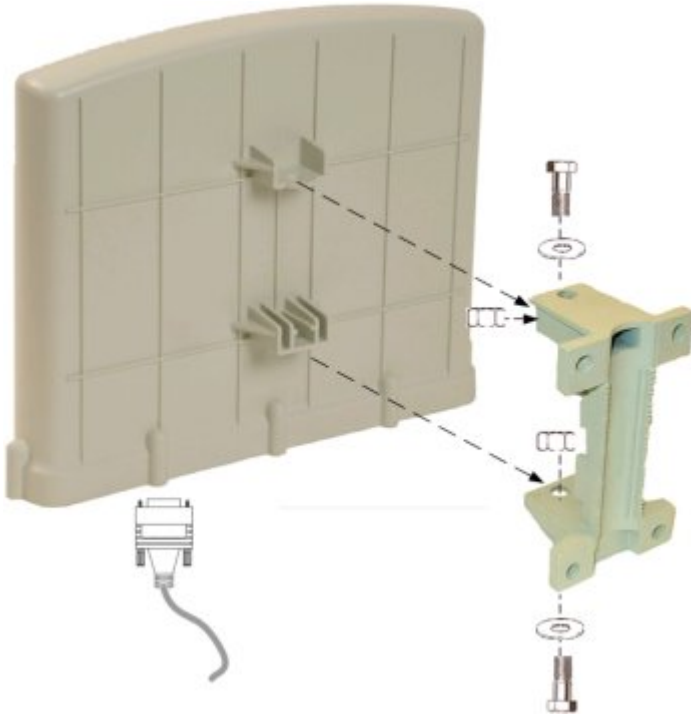
2. Drill holes for each hole that you marked in the step above.

3. Insert wall anchors (not supplied) into each of the drilled holes.
4. Align the mounting bracket's four holes with the wall anchors, and then insert a screw (not supplied) through the mounting bracket holes into each wall anchor, and tighten.


 **Note:** Airspan does not provide screws for attaching the mounting bracket to the wall. The screw size depends on the structure of the building to which the bracket is to be attached. When selecting screw sizes, consideration must be given to the weight of the ProST and load that may be induced in windy conditions.



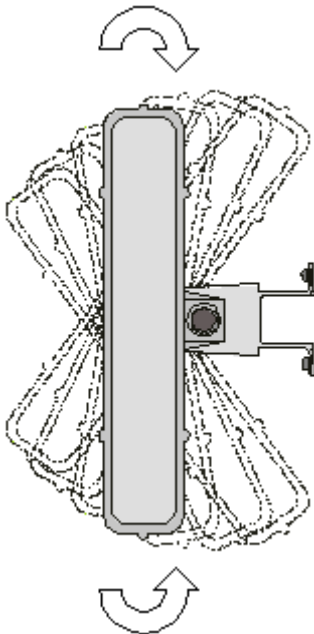
5. Attach the ProST to the mounting bracket by performing the following:
  - a. Slide an M10-spring lock washer and then an M10-plain washer onto each M10-hex head screw (ensure lock washer is nearest to head of screw bolt).
  - b. Align the mounting bracket's holes with the ProST's mounting holes as displayed below. (The mounting bracket side that provides a groove for inserting a nut must be aligned with the ProST's mounting hole that is nearest to the ProST's rear panel.)
  - c. From the external sides, insert the M10-hex head screws through the mounting bracket's holes and ProST's mounting holes. Loosely fasten with the M10-hex nuts.



6. Adjust the horizontal positioning of the ProST, and then tighten the two M10-hex head screws with the M10 hex nuts.

 **Note:** A third-party thread-locking compound must be applied to the M10-hex head screws to prevent the bolts from working loose.

Rotation is restricted in the horizontal plane only, as shown in the figure below:

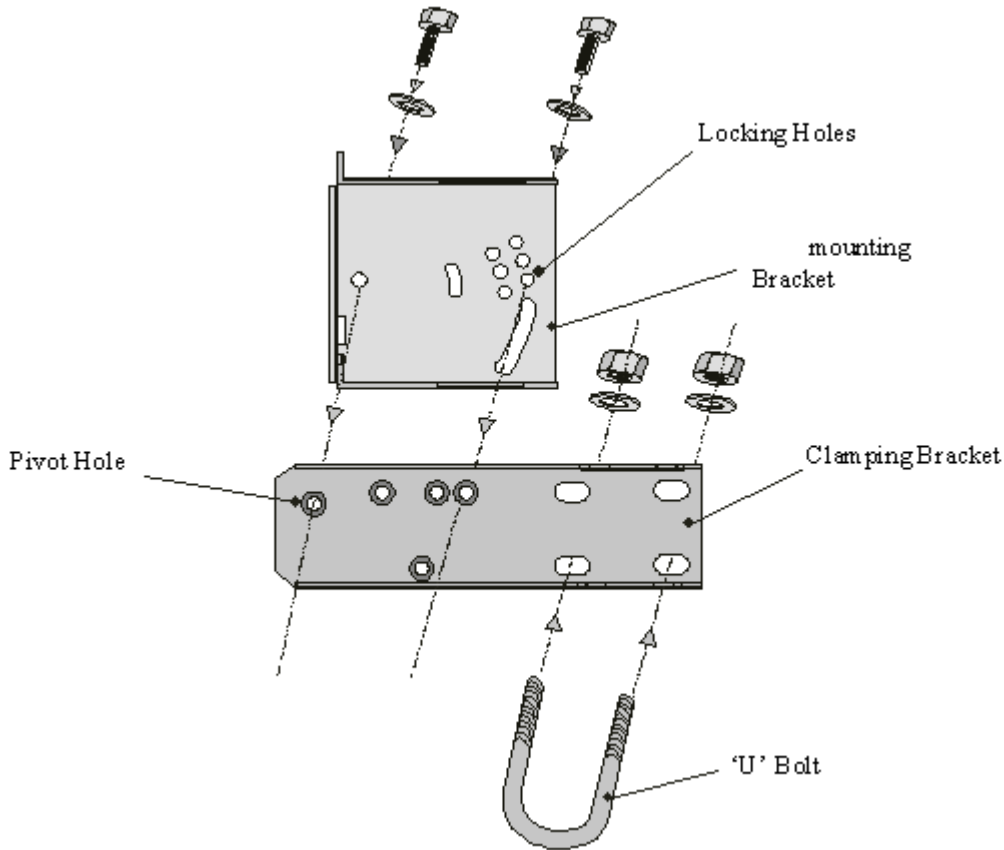


### Pole Mounting

Pole mounting allows the ProST to be easily adjusted in the horizontal (azimuth) and vertical (elevation) planes for antenna alignment. The ProST is mounted using the mounting holes located

on the ProST's back panel and the supplied (when ordered) pole-mounting brackets. The pole-mounting bracket is designed to support the ProST on a round pole of 45 mm in diameter.

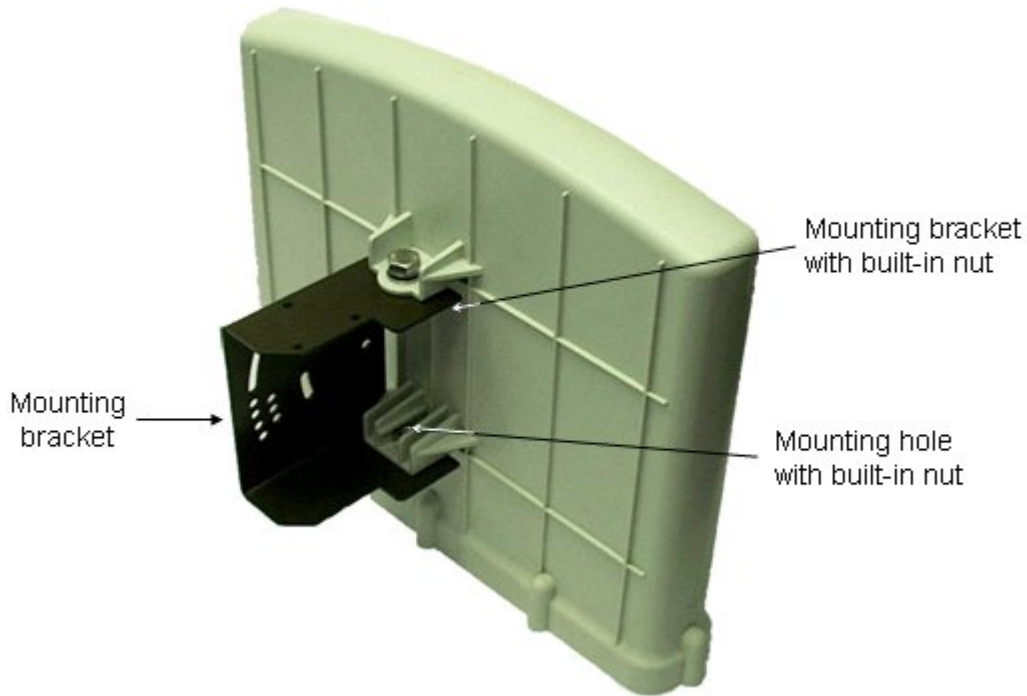
The figure below illustrates a summary of the ProST pole-mounting procedure.



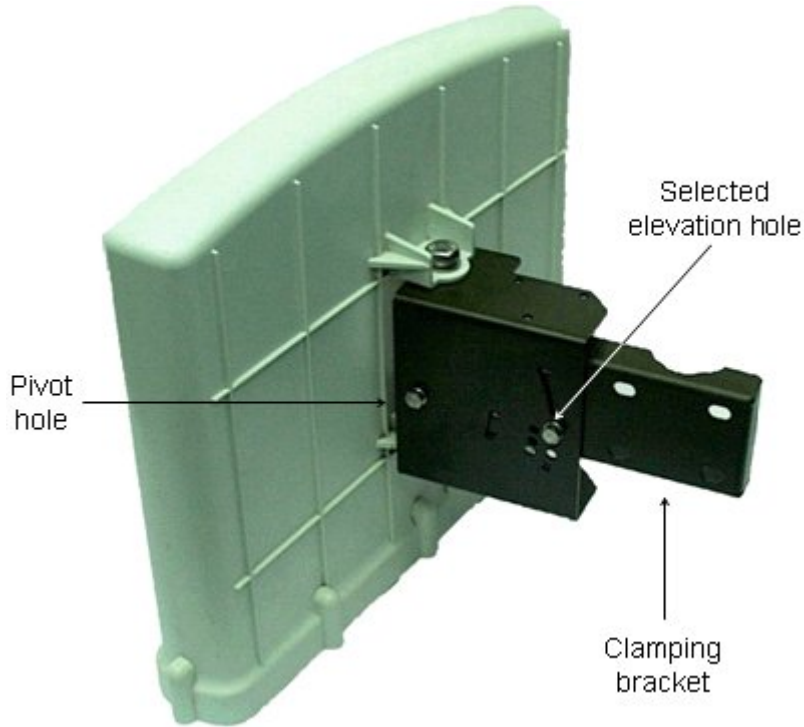
### To pole mount the ProST:

1. Attach the mounting bracket to the ProST:
  - a. Align the mounting bracket with the ProST's mounting holes so that the mounting bracket's side with the built-in nut is aligned with the ProST's mounting holes furthest from the ProST's bottom panel, as shown in the figure below.
  - b. Slide an M10-flat washer and M10-spring lock washer onto an M10-hex head screw (ensure spring lock washer is closest to the bolt's head). From the external side, insert the M10-hex head screw through the mounting bracket and ProST's mounting holes. Fasten the M10-hex head screw (one is provided with a built-in nut while the other requires you to insert an M10-hex nut into the ProST's mounting hole).

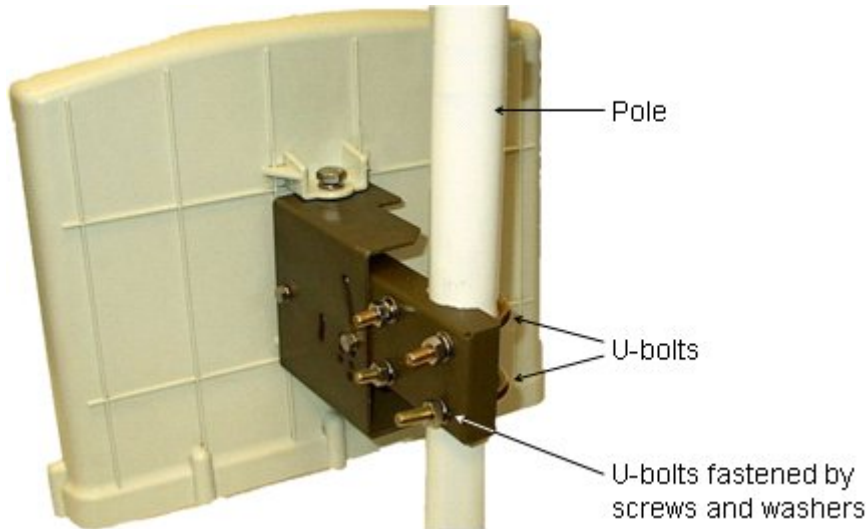




2. Attach the clamping bracket to the mounting bracket:
  - a. Slide an M6-spring lock washer onto an M6-hex head screw. Align the mounting bracket's and clamping bracket's pivot holes, such that the clamping bracket is aligned to the inside of the mounting bracket. From the external side of the mounting bracket, insert the M6-hex head screw into the pivot holes and then fasten, but not tightly. (The clamping bracket provides a built-in nut.)
  - b. Choose an elevation hole on the mounting bracket and then align it with the corresponding hole on the clamping bracket. Slide an M6-spring lock washer onto an M6-hex head screw, and then from the external side of the mounting bracket, insert the M6-hex head screw through the elevation hole on the mounting bracket and into the clamping bracket's corresponding hole. Fasten but not tightly the M6-hex head screw (the clamping bracket provides built-in nut). The elevation hole can later be changed according to desired antenna orientation in the elevation plane.



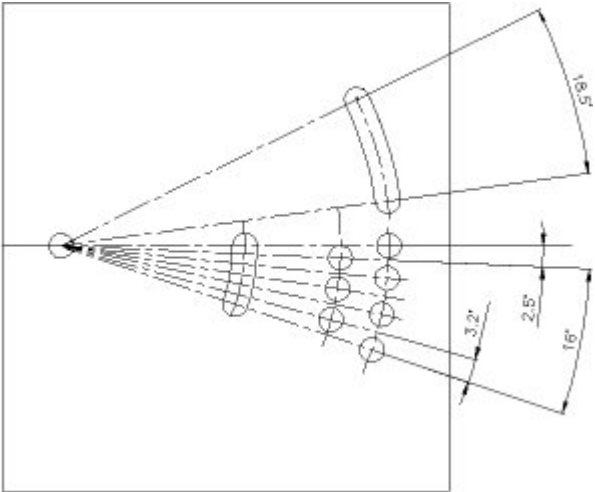
3. Attach the U-bolt to the pole:
  - a. Place one U-bolt around the pole, and then insert the U-bolt screw side through the two corresponding holes (horizontally parallel) on the clamping bracket. Slide an M8-flat washer and M8-spring lock washer onto each U-bolt screw side (ensure that the flat washer is adjacent to the clamping bracket). Fasten each U-bolt side with the two M8-hex nuts.
  - b. Attach the second U-bolt as described above.



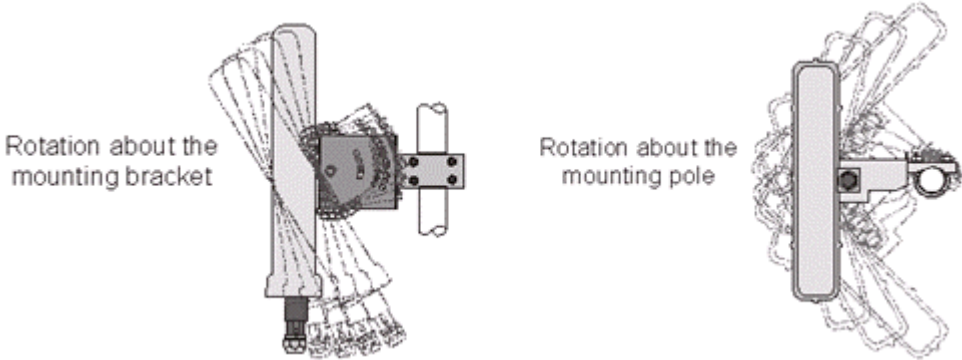
4. Perform final ProST orientation:
  - a. Adjust the vertical position of the ProST by choosing a final elevation hole as described in Step 2. Lock the ProST at the desired position by inserting the locking bolt in the desired position and fastening it tightly. Fasten tightly the bolt in the pivot hole. The figure below illustrates the angles (in degrees) of each elevation hole. As shown, the ProST pole-mounting bracket allows elevation between  $-18.5^\circ$  and  $26.3^\circ$ .


- b. Adjust the horizontal position of the ProST by rotating it about the pole, and then tightening the nuts of the U-bolts.

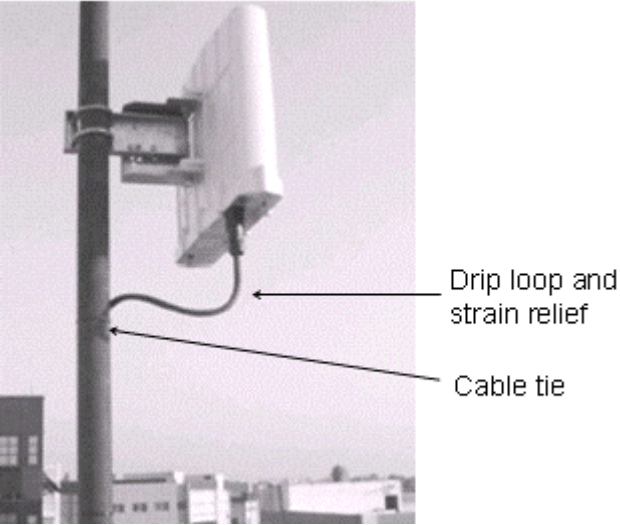
 **Note:** A thread-locking compound must be used to prevent the bolts from working loose.



ProST positioning is obtained in two planes by adjustment of the mounting bracket assembly as shown below:



 **Note:** It is important to provide strain relief and drip loop for Cat-5 cables. Create a drip loop and strain relief using cable tie, to tie cable to pole, as displayed in the figure below.



## SDA-4S

The SDA-4S adapters can be mounted either horizontally on a desktop or vertically on a wall.

### Desktop Mounting

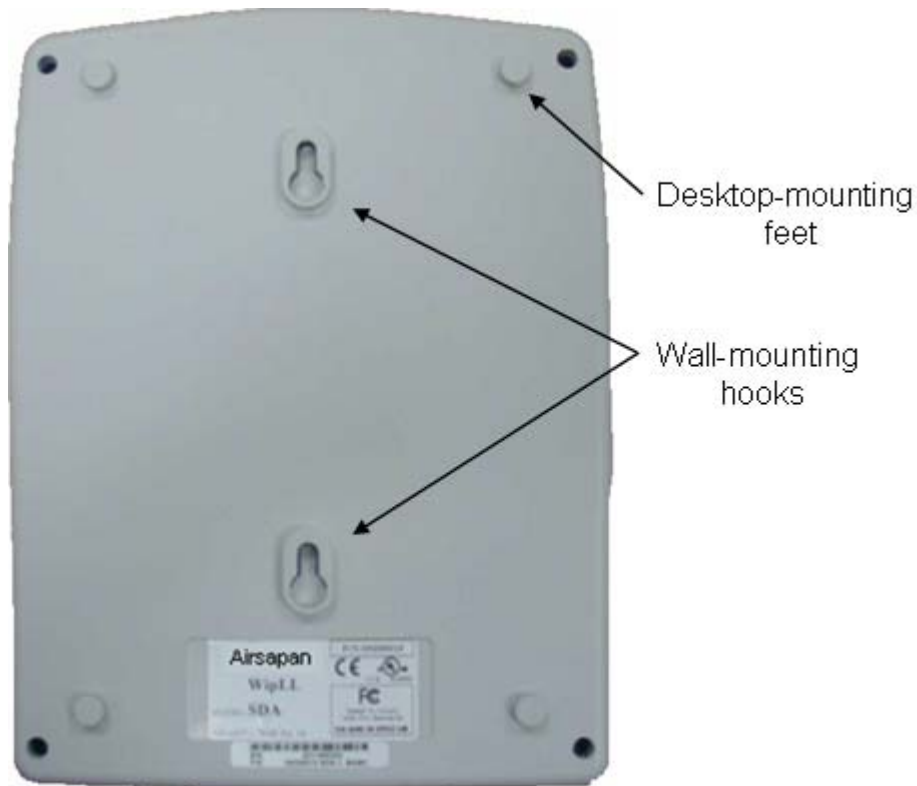
Desktop mounting is made possible by the existence of four feet, each located on the four corners of the SDA-4S bottom panel. Therefore, no installation is necessary for desktop mounting.



**Warning:** To prevent a fire hazard caused by overheating, do not place the SDA-4S on a carpeted surface where airflow is restricted.

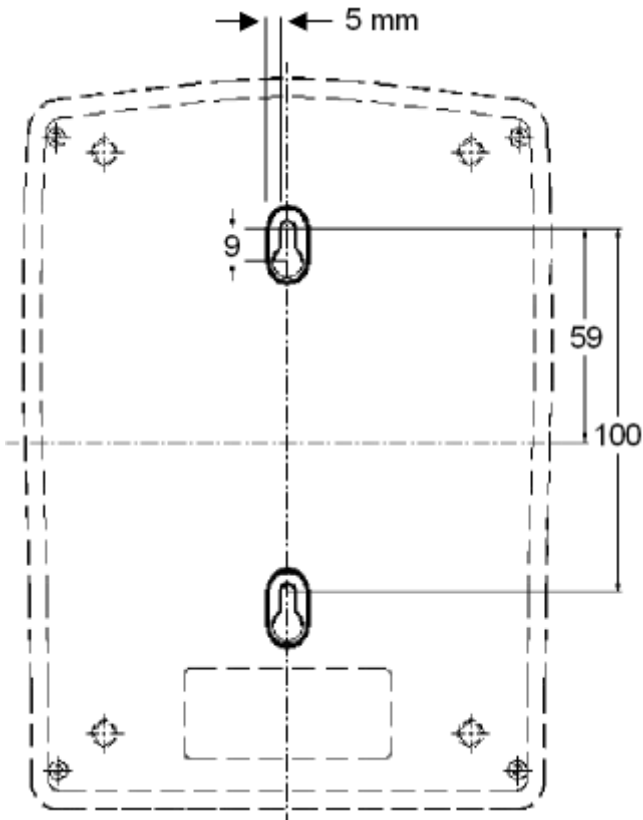
### Wall Mounting

Wall mounting is made possible by the existence of two mounting hooks molded into the SDA-4S's bottom panel, as displayed in the figure below.




### To wall mount the SDA:

1. On the wall, mark the position of the two mounting hooks. The dimensions of the wall-mounting hooks are displayed in the template below.



2. Drill holes for each hole that you marked in the step above.
3. Insert wall anchors (supplied) into each of the drilled holes.
4. Insert the 9-inch screws (supplied) into the wall anchors. Ensure at least 2 mm of the screw is exposed to allow insertion into the SDA-4S mounting holes.
5. Hold the SDA-4S with both hands, and align the entrance to the two mounting hooks with the screws. Slide the screws into the mounting hooks, by lowering the SDA-4S onto the screws.

 **Note:** For safety, use both mounting hooks to mount the unit.

 **Note:** The SDA-4S is supplied with a 1 meter AC power lead assembly. Ensure the unit is mounted within 1 meter of the main power outlet.

 **Note:** The maximum cable run between SDA-4S and ProST is 100 meters.

## NETWORK CABLING

ProST interfaces with the subscriber's network through the IDU (i.e. typically the SDA-1 Type II, or optionally through the SDA-4S Type II or SDA-4S/VL Type II). The ProST also receives DC power from the IDU.

This section describes the ProST network cabling:

- ▶ Connecting ProST to IDU
- ▶ Connecting IDU to a Computer

### Connecting to IDU

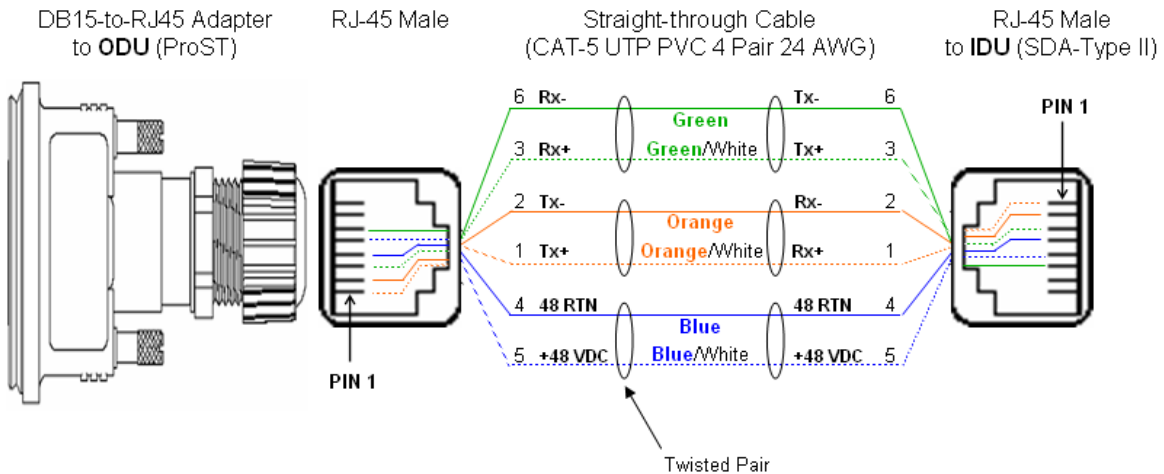
The ProST typically interfaces with the subscribers network using the indoor SDA-1 Type II adapter. However, optional IDU adapters (SDA-4S Type II or SDA-4S/VL Type II) are offered that provide multiple LAN ports for interfacing with the subscriber's network.


#### Using the SDA-1 Type II

The ProST connects to the SDA-1 using a CAT 5 cable with 8-pin RJ-45 connectors on either end. The ProST provides a 15-pin D-type port for interfacing with the SDA-1. However, for allowing the use of RJ-45 connectors, your ProST kit includes a DB15-to-RJ45 adapter that can easily be attached to the ProST's 15-pin D-type port.

The cable setup for ProST-to-SDA-1 connectivity is as follows:

- ▶ **Cable:** Straight-through CAT 5 Ethernet cable
- ▶ **Connectors:**
  - ProST: DB15-to-RJ45 adapter
  - CAT 5 cable with 8-pin RJ-45 male connectors on either end
- ▶ **Connector pinouts:**



 **Note:** The SDA-1 Type II is protected in the event power is inadvertently inserted to the radio port so as not to damage the Ethernet card.

#### Notes:

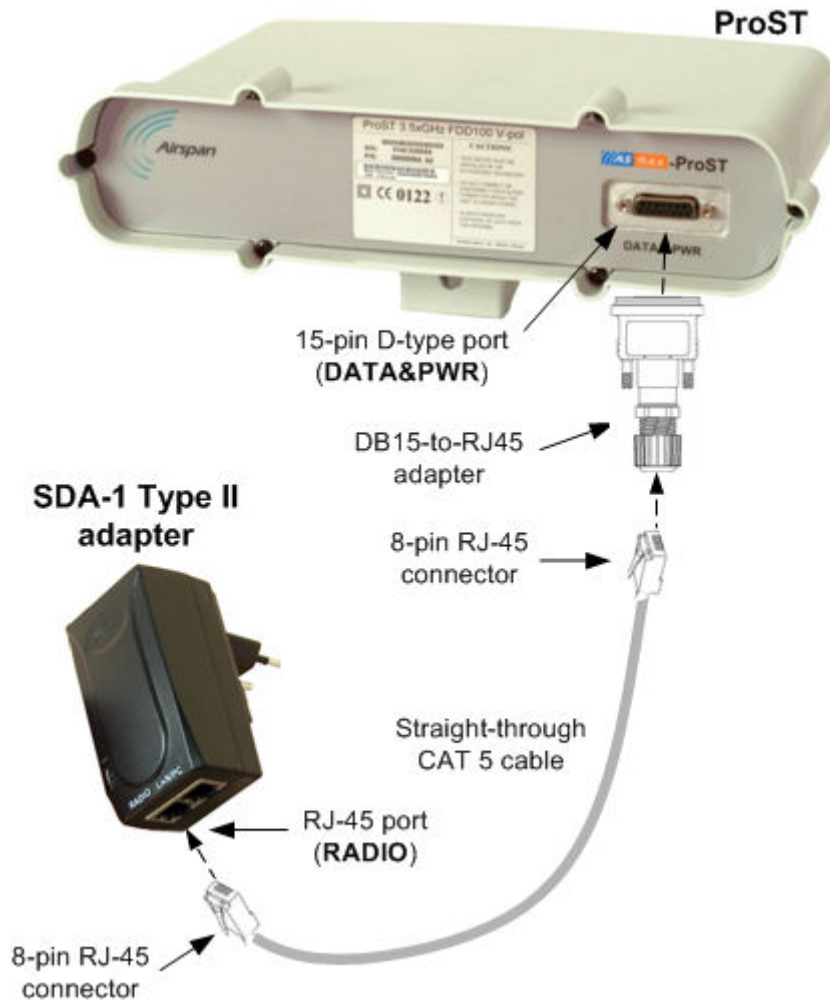
- Only pins 1 to 6 are used.
- Pins 7 and 8 **must not** be wired to the ProST end.
- The wire color-coding described in the table is Airspan's standard for wire color-coding.

However, if you implement your company's wire color-coding scheme, ensure that the wires are paired and twisted according to pin functions listed in the table above (e.g. Rx+ with Rx-).

- The maximum CAT 5 cable length for ODU/IDU connectivity is 100 meters.

#### To connect the ProST to the SDA-1:

1. Attach the DB15 side of the DB15-to-RJ45 adapter to the ProST's 15-pin D-type port (female), labeled **DATA & PWR**.
2. Plug the RJ-45 connector of the Category 5 Ethernet cable (not supplied) into the RJ-45 port of the DB15-to-RJ45 adapter.
3. Plug the RJ-45 connector, at the other end of the Category 5 Ethernet cable, into the SDA-1's RJ-45 port labeled **RADIO**.



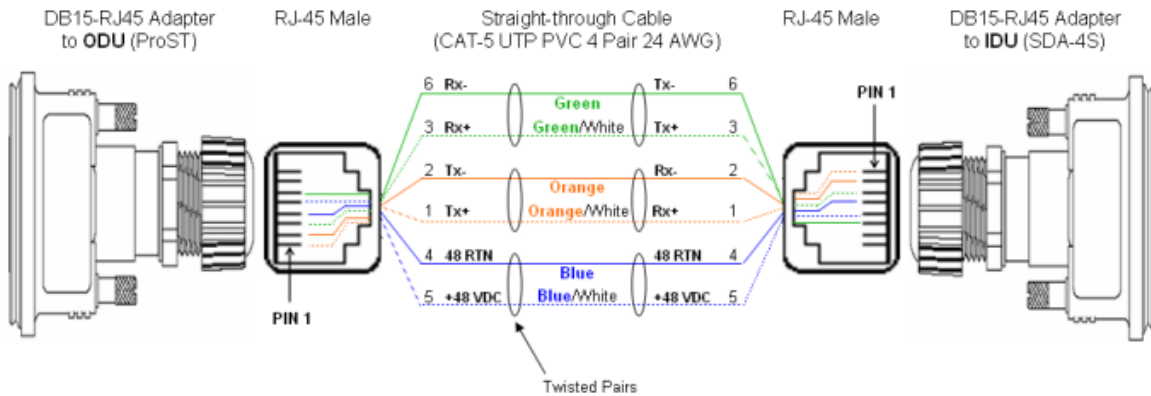
#### Using the SDA-4S Type II or SDA-4S/VL Type II


The SDA-4S Type II or SDA-4S/VL Type II adapters (referred hereafter as SDA-4S) provide one 15-pin D-type female port for interfacing with the ProST (which also provides a 15-pin D-type female port).

The ODU-to-IDU connectivity implements a CAT 5 cable with 8-pin RJ-45 connectors at either end. However, for allowing the use of RJ-45 connectors, your ProST kit includes two DB15-to-RJ45 adapters that can easily be attached to the 15-pin D-type ports of the ProST and SDA-4S.

The cable setup for ProST to SDA-4S connectivity is as follows:

- ▶ **Cable:** Straight-through CAT 5 Ethernet cable
- ▶ **Connectors:**
  - **ProST:** DB15-to-RJ45 adapter
  - **SDA-4S:** DB15-to-RJ45 adapter
  - CAT 5 cable with 8-pin RJ-45 male connectors on either end
- ▶ **Connector pinouts:**



 **Note:** The standard ProST kit does not include the SDA-4S Type II or SDA-4S/VL Type II adapters. For pricing and ordering of either the SDA-4S Type II or SDA-4S/VL Type II adapter, please contact your nearest Airspan dealer.

**To connect the ProST to the SDA-4S:**

1. Attach the DB15 side of the DB15-to-RJ45 adapter to the ProST's 15-pin D-type port (female), labeled **DATA & PWR**.
2. Attach the DB15 side of the second DB15-to-RJ45 adapter to the SDA-4S's 15-pin D-type port (female).
3. Plug the RJ-45 connector, at one end of the CAT 5 cable (not supplied), into the RJ-45 port of the DB15-to-RJ45 adapter located at the ProST.
4. Plug the RJ-45 connector, at the other end of the CAT 5 cable, into the RJ-45 port of the DB15-to-RJ45 adapter located at the SDA-4S.





**Note:**

- Only pins 1 to 6 are used.
- Pins 7 and 8 **must not** be wired to the ProST end.
- The wire color-coding described in the table is Airspan's standard for wire color-coding. However, if you implement your company's wire color-coding scheme, ensure that the wires are paired and twisted according to pin functions listed in the table above (e.g. Rx+ with Rx-).
- The maximum CAT 5 cable length for ODU/IDU connectivity is 100 meters.

**Connecting to LAN Network**

The ProST typically interfaces with the subscriber's LAN network using the indoor SDA-1 Type II adapter. This adapter provides one 100BaseT interface. However, optional IDU adapters (SDA-4S Type II or SDA-4S/VL Type II) are offered that provide four LAN ports for interfacing with the subscriber's LAN network.



**Warning:** Only subscriber terminal equipment (e.g. computer modem port) that is designed for full compliance with TNV-1 telecommunication network connectivity can be connected to the SDA-1. Warranty of Airspan's equipment shall be made void if the SDA-1 is connected to a computer that is not compliant with TNV-1.

### Using SDA-1 Type II

The SDA-1 Type II provides a single 100BaseT interface with the subscriber's LAN network.

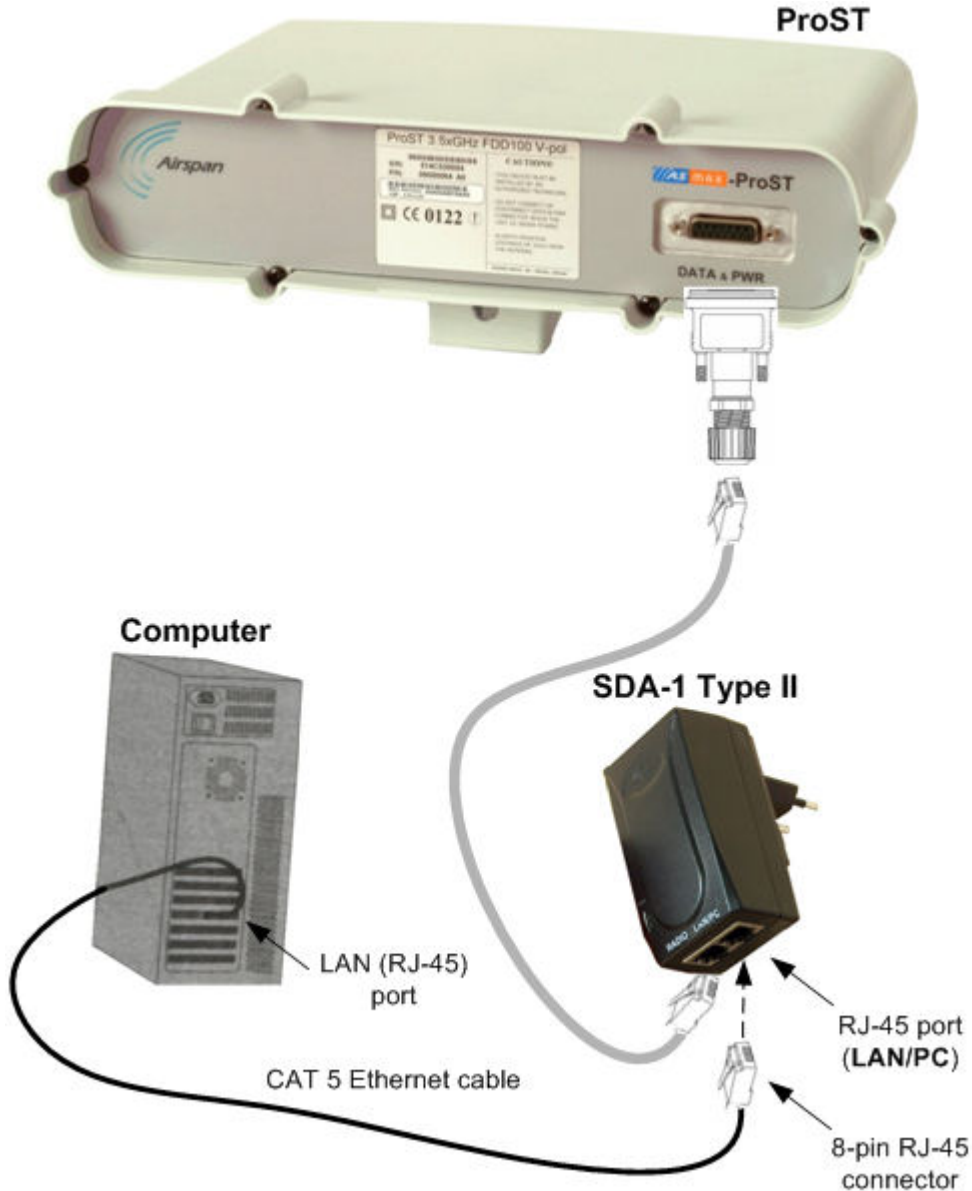
The cable setup for SDA-1 Type II connectivity is as follows:

- ▶ **Cable:** Straight-through CAT 5 Ethernet cable
- ▶ **Connectors:** 8-pin RJ-45
- ▶ **Connector pinouts:**

Pin	Function	8-Pin RJ-45
1	Tx+	
2	Tx-	
3	Rx+	
6	Rx-	

### To connect the ProST to the subscriber's network/PC (via SDA-1 Type II):

1. Plug the supplied Category 5 Ethernet cable into the SDA-1's RJ-45 port labeled **LAN/PC**.
2. Plug the loose end of the Category 5 Ethernet cable into the computer's LAN port.



### Using the SDA-4S Type II or SDA-4S/VL Type II


The SDA-4S Type II or SDA-4S/VL Type II adapters (referred hereafter as SDA-4S) provide one four RJ-45 (100BaseT) ports for interfacing with the subscriber's LAN network. The difference between these two adapters is that the SDA-4S/VL supports VLAN functionality at the ports.

The ports of the SDA-4S models support Auto Negotiation, allowing automatic configuration for the highest possible speed link (10BaseT or 100BaseT), and Full Duplex or Half Duplex mode. In other words, the speed of the connected device (e.g. PC) determines the speed at which packets are transmitted through the specific port. For example, if the device to which the port is connected is running at 100 Mbps, the port connection will transmit packets at 100 Mbps. Conversely, if the device to which the port is connected is running at 10 Mbps, the port connection will transmit packets at 10 Mbps.


In addition, the SDA-4S ports support MDI/MDI-X automatic crossover, allowing connection to straight-through or crossover CAT-5 cables. Therefore, these ports can be connected to either a hub (i.e. using crossover cables) or a PC (i.e. using straight-through cables).

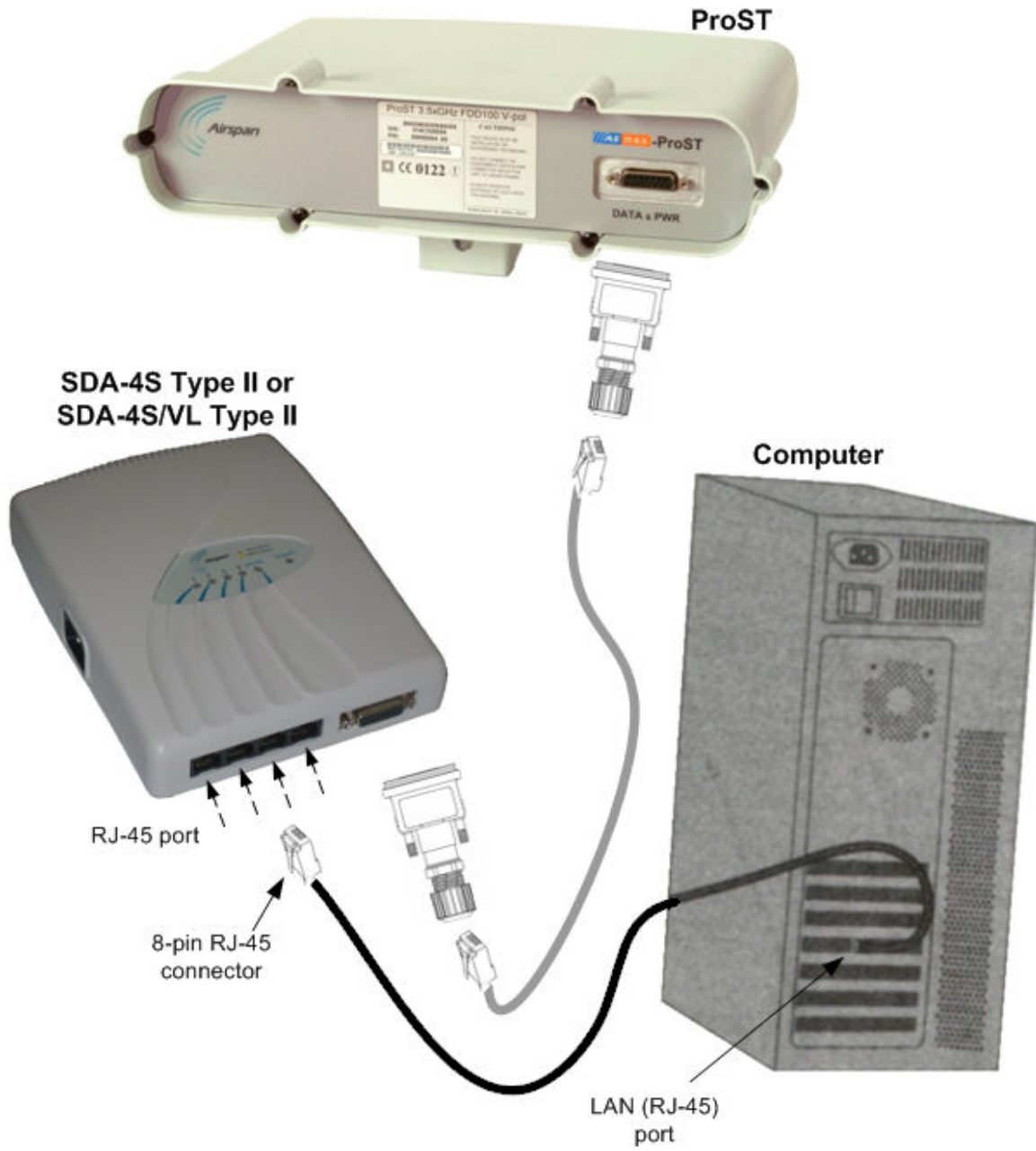
The cable setup for SDA-4S LAN connectivity is as follows:

- ▶ **Cable:** Straight-through (e.g. when connecting to PC) or crossover (i.e. when connecting to a hub) CAT 5 Ethernet cable
- ▶ **Connectors:** 8-pin RJ-45 at both ends
- ▶ **Connector pinouts:**
  - Straight-through cable (e.g. connecting to a PC)

Pin	Function	8-Pin RJ-45
1	Tx+	
2	Tx-	
3	Rx+	
6	Rx-	

- Crossover cable (e.g. connecting to a hub)

Pin	Function	Pin	Function	8-Pin RJ-45
1	Rx+	3	Tx+	
2	Rx-	6	Tx-	
3	Tx+	1	Rx+	
6	Tx-	2	Rx-	



## CONNECTING TO POWER

---

The ProST is powered from an outdoor AC/DC power adapter that is connected to a 110/240 VAC power source. ProST is a DC-powered device requiring 48 VDC at 24W max. (assuming up to 100-m cable length between ProST and AC/DC power adapter). Additionally the ProST can be powered by the SDA-1 Type II, SDA-4S Type II or the SDA-4S/VL, optional internal integrated LAN switches.

The outdoor AC/DC power adapter connects to the ProST through the ProST's 15-pin D-type port.

The AC/DC power adapter is mounted on the same pole (or wall) as the ProST, and provides a 60-cm power cable for connecting it to the ProST.



**Warning:** Do not install the outdoor AC/DC power adapter during adverse weather conditions when the threat of lightning strike or rain is possible.



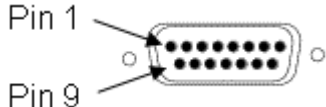
**Warning:** To prevent electrical shock, while connecting the AC power cord to the power adapter, ensure that the AC power cord is not connected to the power outlet.



**Warning:** Connect the AC/DC power adapter to the power outlet only after the AC/DC power adapter is fully assembled.

### Connecting AC/DC Power Adapter

The AC/DC power adapter provides a 60-cm cable with a 15-pin D-type male connector pre-terminated on the end for connection to the ProST's 15-pin D-type port. The connector pinouts for the 15-pin D-type are listed below:

Pin	Function	15-pin D-type Male
1	+48V	
9	+48V	
2	GND	
10	GND	

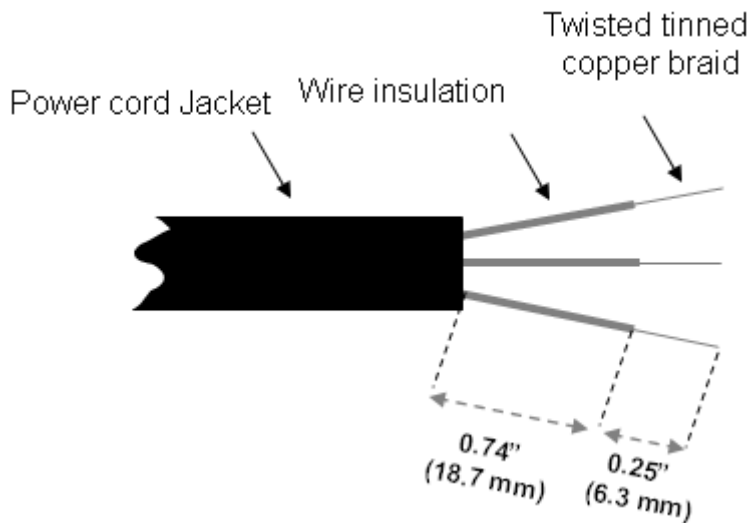
Before connecting the power adapter to the ProST, you need to connect the AC power cable (that connects to the subscribers power outlet) to the adapter, as described in the following procedure.

#### To connect the AC/DC power adapter:

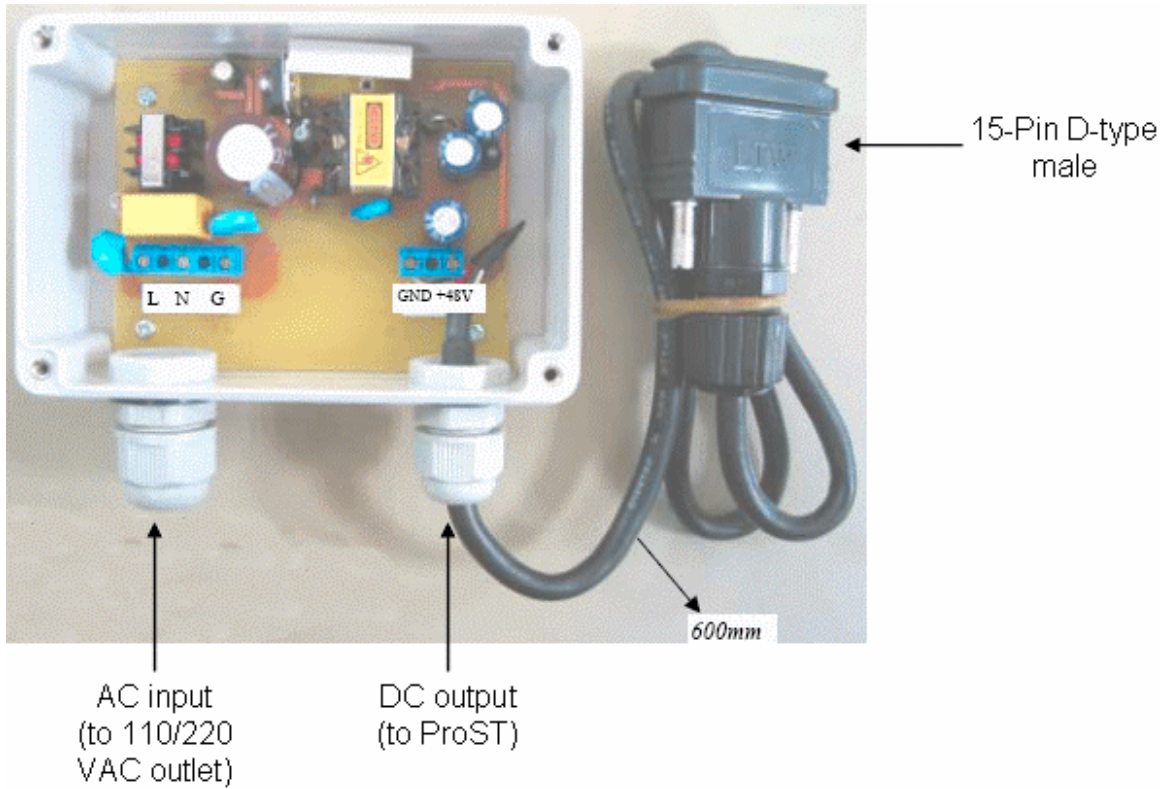
1. Remove the power adapter's cover by using a Philips screwdriver to unscrew the four screws located in each of the four corners.



2. Prepare the AC power cord (that will connect to the subscriber's power outlet) for connection to the power adapter by performing the following:
  - a. Strip about 25.4 mm (1 inch) of the outer jacket of the AC power cord to expose the three insulated wires.
  - b. Using a wire-stripping tool, expose about 6.3 mm (0.25 inch) of each of the three wires (i.e. live, neutral, and ground) by stripping the wires' insulation. Stripping more than the recommended amount of wire can cause exposed wires to jut out of the power adapter's terminal block and create a short with each other.

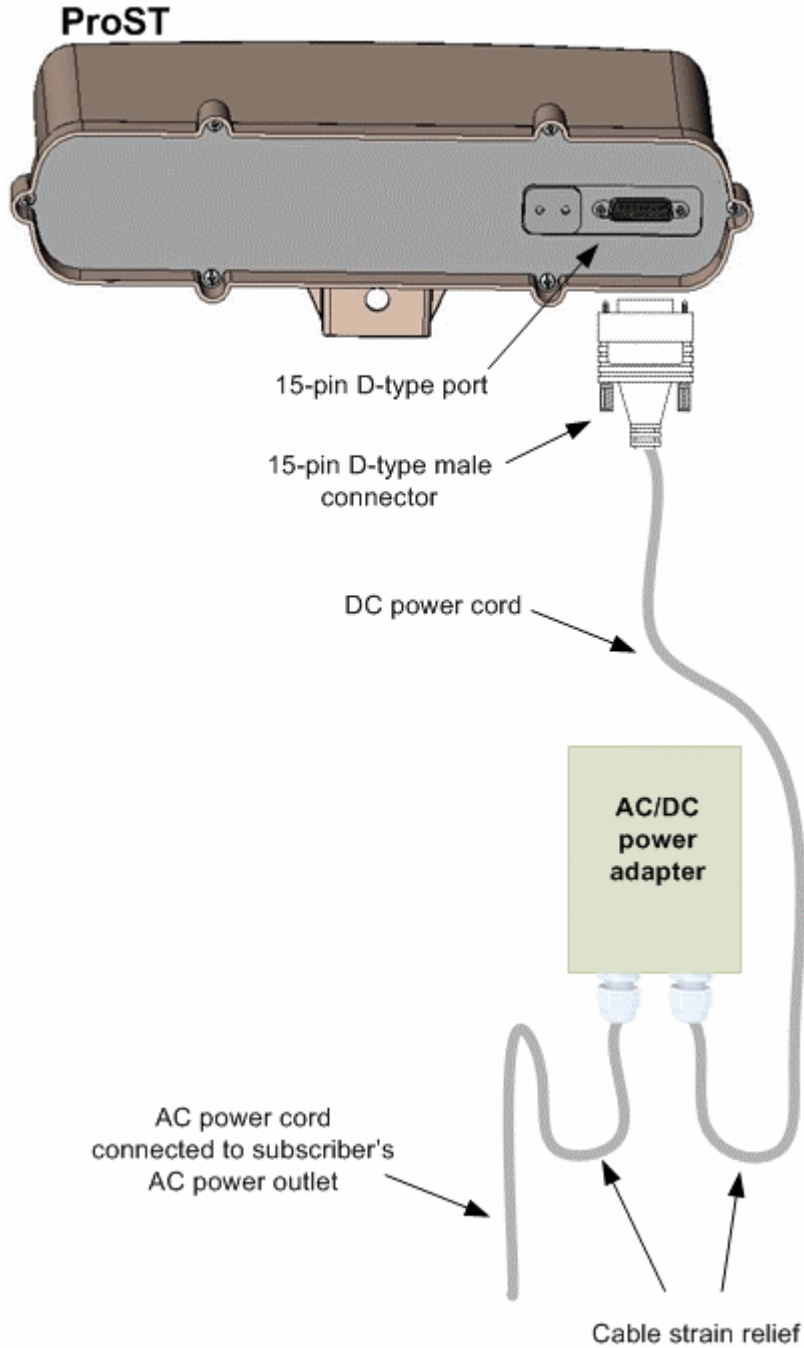


3. Unscrew the gland from the power adapter's AC cord entry, and then feed the AC power cord through the gland. Ensure that the gland's opening providing threads is facing the side of the exposed wires of the power cord.
4. Feed the AC wires through the power adapter's AC cable entry until the jacket of the power cord reaches the other side of the entry.
5. Secure the AC power cord to the power adapter by hand fastening the gland onto the AC power cable entry.
6. Insert the exposed wires into the relevant screw-type terminal block, and then secure them in place by tightening the screw of each terminal with a Philips screwdriver. The labeling on the terminals are as follows:
  - ▶ **L:** live wire
  - ▶ **N:** neutral wire
  - ▶ **G:** ground wire



7. Replace the cover by using the four screws, ensuring that the gasket (for weatherproofing) is firmly in place on the rim of the cover.
8. Locate the power adapter's 15-pin D-type connector located at the end of the pre-installed cable, and plug it into the ProST's 15-pin D-type port labeled **DATA&PWR**.

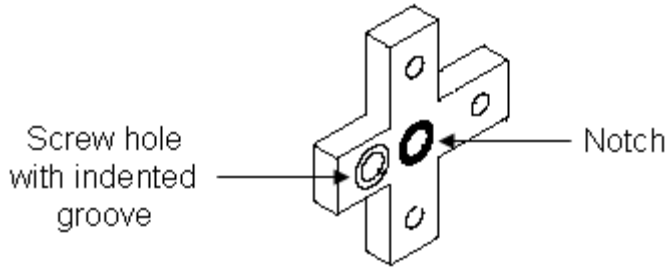




### Mounting AC/DC Power Adapter

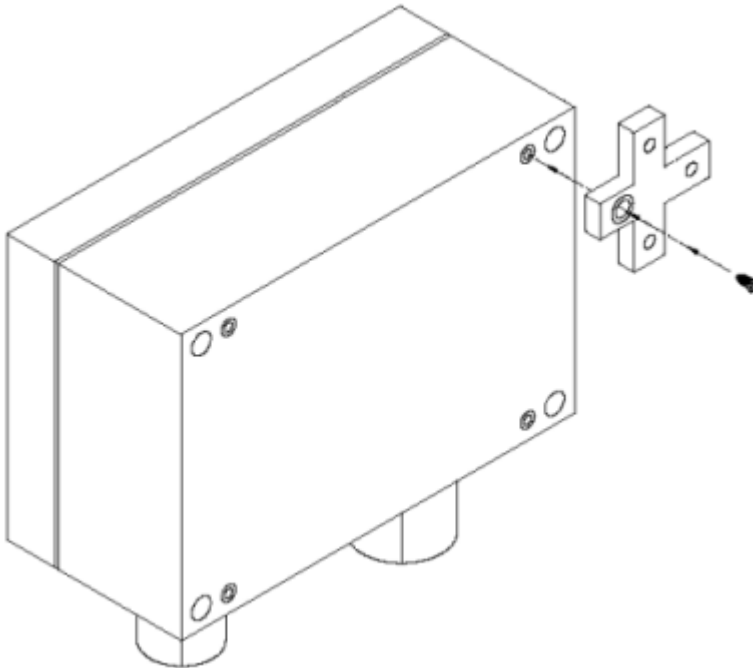
The AC/DC power adapter is mounted outdoors, together with the ProST. The maximum separation distance between the power adapter and the ProST is 60 cm (according to the cable length connecting these units).

The power adapter provides four mounting brackets for mounting the power adapter.

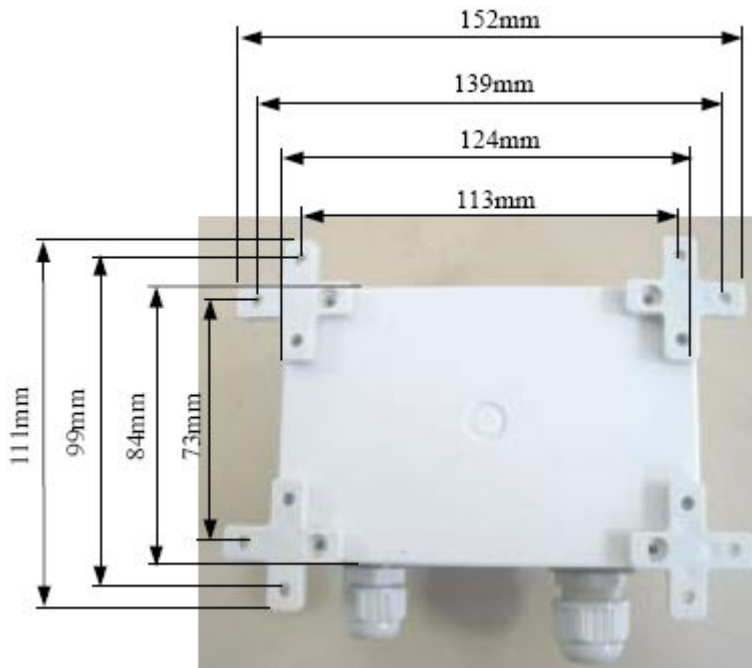


**To mount the AC/DC power adapter:**

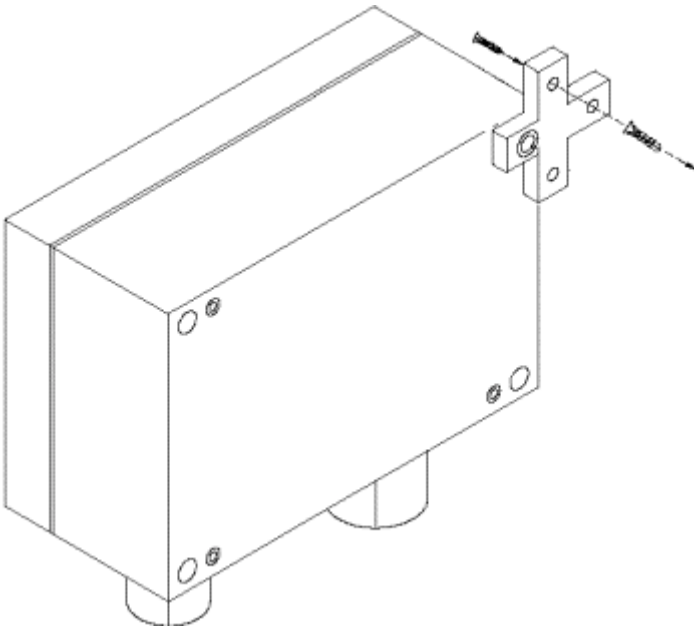
1. Attach the four mounting brackets to each rear corner of the power adapter using the four 10-mm Phillips screws (supplied), as illustrated in the figure below. Ensure the following:
  - a. The notch located in the center (and on one side) of each bracket is inserted firmly into the holes on the power adapter.
  - b. On the mounting bracket, the shortest "arm" (identified by the indented, sunken groove provided on either side of its screw hole) is aligned with the power adapter's screw receptacle.




2. Mark the four drilling points on the mounting surface (e.g. wall). The figure below displays wall fixing dimensions.



3. Drill holes for accepting 30-mm length with 3-mm diameter screws and wall anchors.
4. Tap the wall anchors into the drilled holes.
5. Align the power adapter's mounting brackets with the drilled holes, and then secure it to the mounting surface using the 20-mm Philips screws.



 **Note:** It is important to provide strain relief and drip loop for the power cables. This can be done using cable ties to tie the cables to the pole as displayed in the Mounting section.

ProST can also be powered from one of the following power sources:

- ▣ DC power: connected directly to a 10 - 52 DC power source
- ▣ AC power: connected to a standard electrical wall outlet (110/240 VAC) using an AC/DC power adapter

In addition, Airspan offers an optional third-party outdoor, lightning and surge protector that protects the ODU-to-IDU CAT 5 cable's power and data signals from any electrical surges due to lightning strikes.



**Note:** ProST is designed with a built-in lightning surge protection that complies with the Surge Immunity standard EN 61000-4-5.

## DC Power Source

ProST can be connected directly to a DC power supply unit that supplies 10 – 52 VDC (0.2 to 0.9 A; 15W maximum, assuming up to 100-m cable length between ProST and power source).

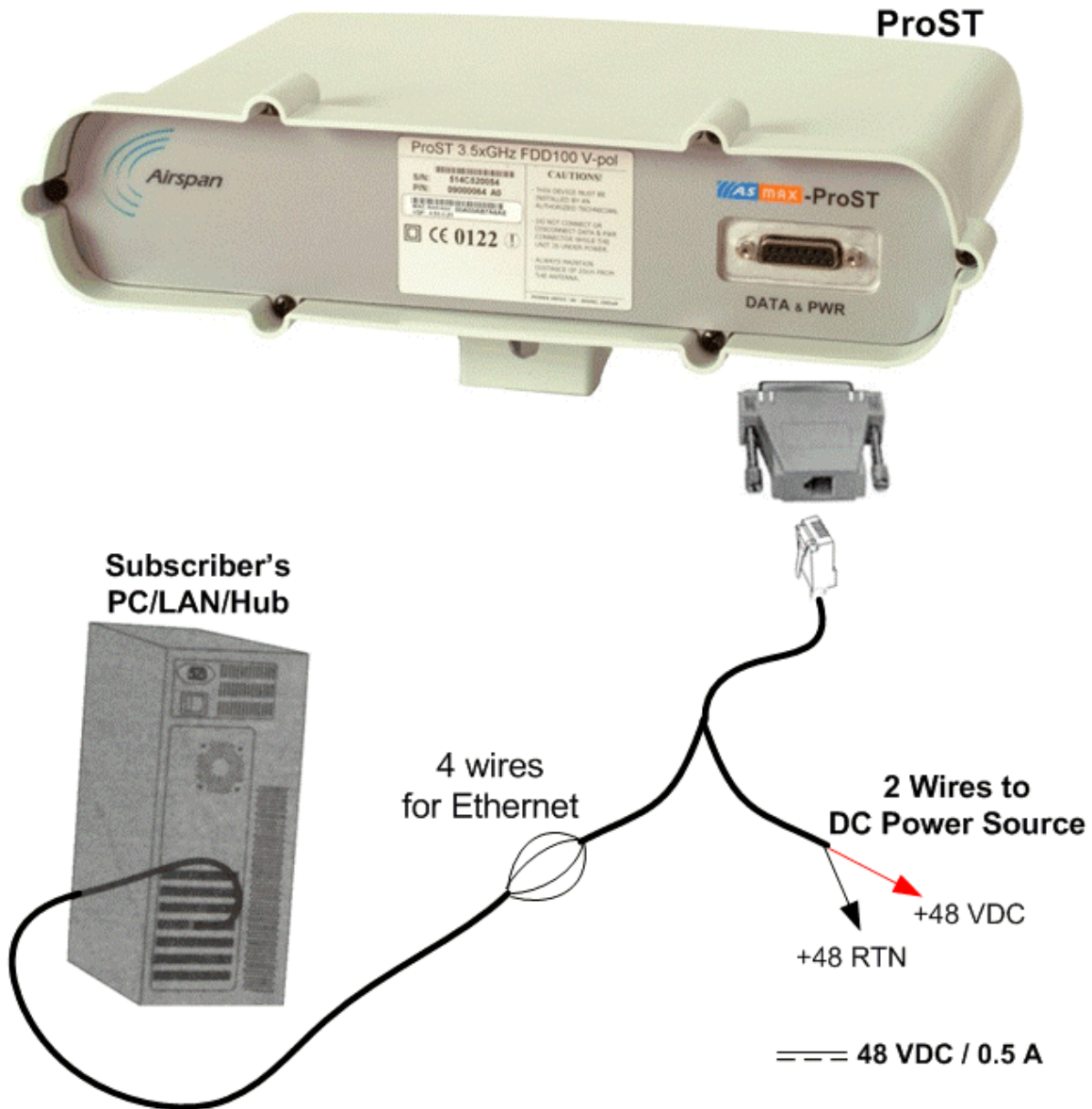
The ProST-to-DC power connectivity is supported by a splitter cable. One end of the splitter cable connects to the ProST (using the RJ45-to-DB15 adapter or connecting directly to the 15-pin D-type port); the other end of the cable splits into the following two wire groups:

- ▶ One group for the subscriber's Ethernet interface (four wires for the Tx and Rx signals)
- ▶ One group for the DC power source interface (two wires for +48 VDC and +48 RTN)



**Warning:** ProST should be powered by a safety approved Class II limited DC power source with maximum current of 1A.

The figure below displays the ProST-to-DC power supply cable setup:



## AC Power Source

ProST is powered from an AC power source when implementing the SDA-1 Type II, which is plugged directly into a standard electrical wall outlet (110/240 VAC). The optional IDU adapters (SDA-4S Type II and SDA-4S/VL Type II) also power ProST from the subscriber's AC electrical wall outlet. The difference between the SDA-1 Type II and SDA-4S adapters is the method of connectivity to the power outlet, as discussed in the subsections below.

### Using SDA-1 Type II

The SDA-1 Type II is plugged directly into a standard electrical wall outlet ((110/240 VAC). The SDA-1 Type II also allows easy plug prongs replacement to suit the electrical wall socket (e.g. American vs. European type) of the geographical location in which the ProST is being installed.

The AC power cabling consists of the following stages:

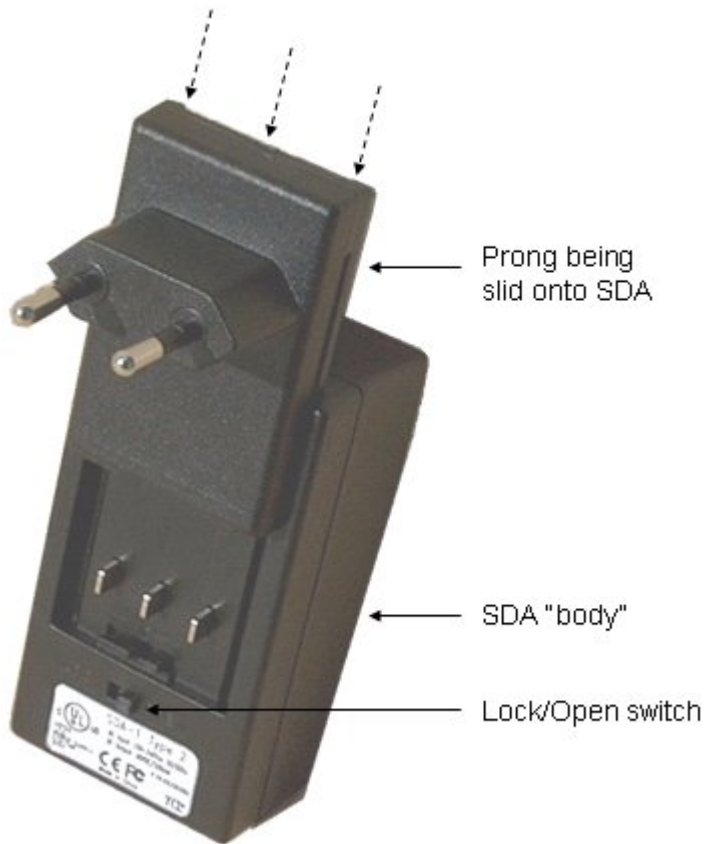
- ❑ Changing SDA-1 Type II plug prongs
- ❑ Plugging SDA-1 into wall outlet

### Changing the SDA-1 Type II Plug Prongs

The SDA-1 Type II allows you to attach plug prongs suited to the electrical wall socket of the country in which you are installing the equipment. Therefore, before plugging the SDA-1 Type II into the electrical outlet, ensure that the correct prongs are attached to the SDA-1 Type II.

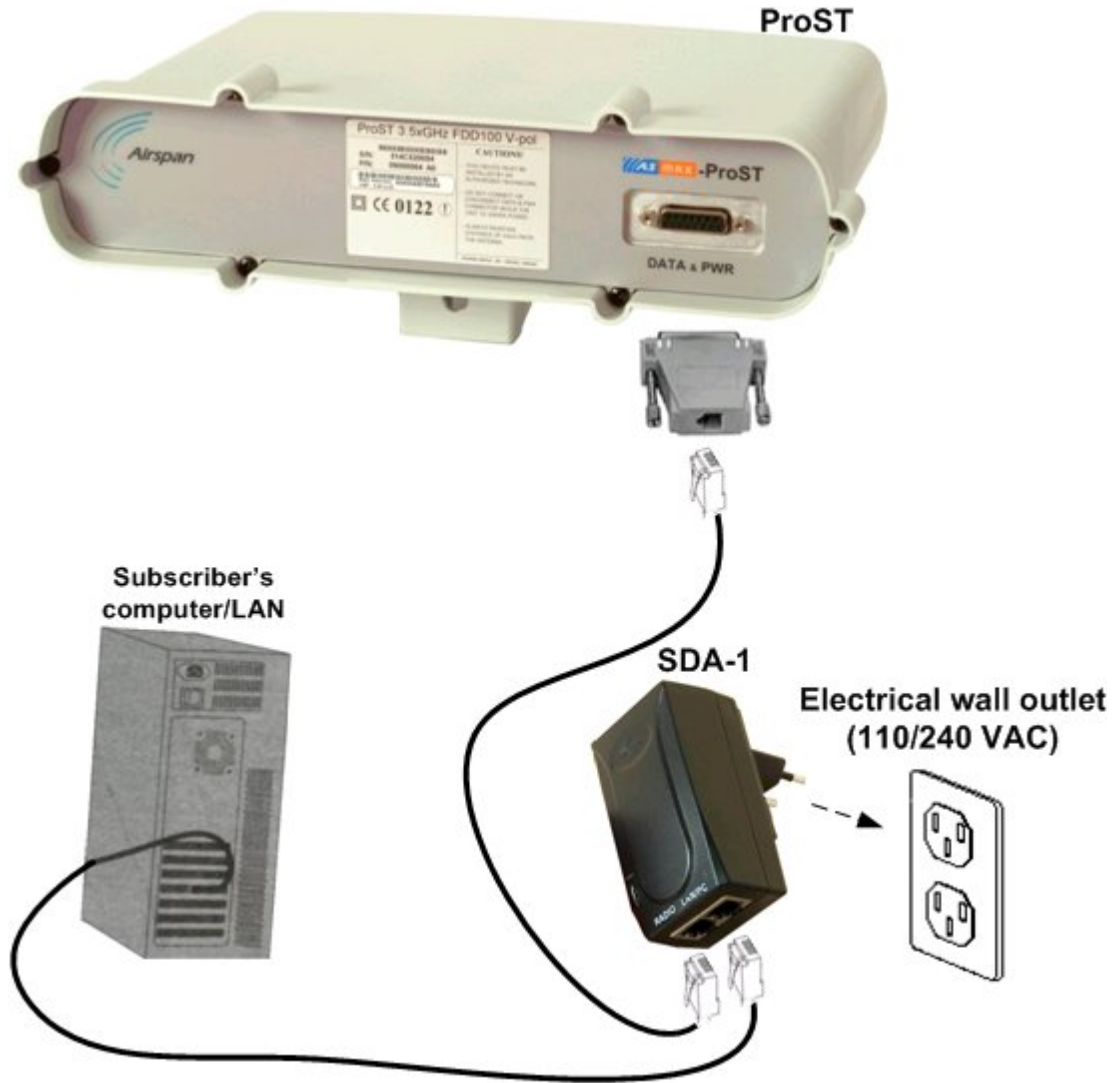
#### To change the SDA-1 Type II plug prongs:

1. On the rear of the SDA-1 Type II, slide the locking switch to **OPEN**.
2. Remove the prongs by sliding the prongs in the direction away from the switch.
3. Insert the desired prongs by aligning the prongs with the SDA-1 Type II's prong groove, and then sliding the prongs onto the SDA-1 Type II until it reaches the end of the groove.
4. Lock the prongs in place by moving the switch to **LOCK**.



### Plugging the SDA-1 Type II into an Electrical Wall Outlet

After you have attached the suitable plug prongs onto the SDA-1 Type II , you can plug it into a standard electrical wall outlet (110/240 VAC), as illustrated below.



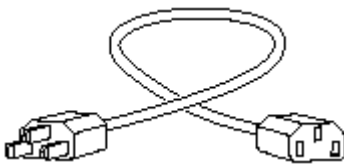
Verify that your SDA-1 Type II is on and receiving power by checking that the LED labeled **POWER** is lit (see SDA-1 Type II LED description). If it is not lit, see Troubleshooting.

### Using SDA-4S Type II and SDA-4S/VL Type II

The SDA-4S adapters are plugged into a standard electrical wall outlet (110/240 VAC) using an AC power cord. The appropriate AC power cord is supplied according to the country of use

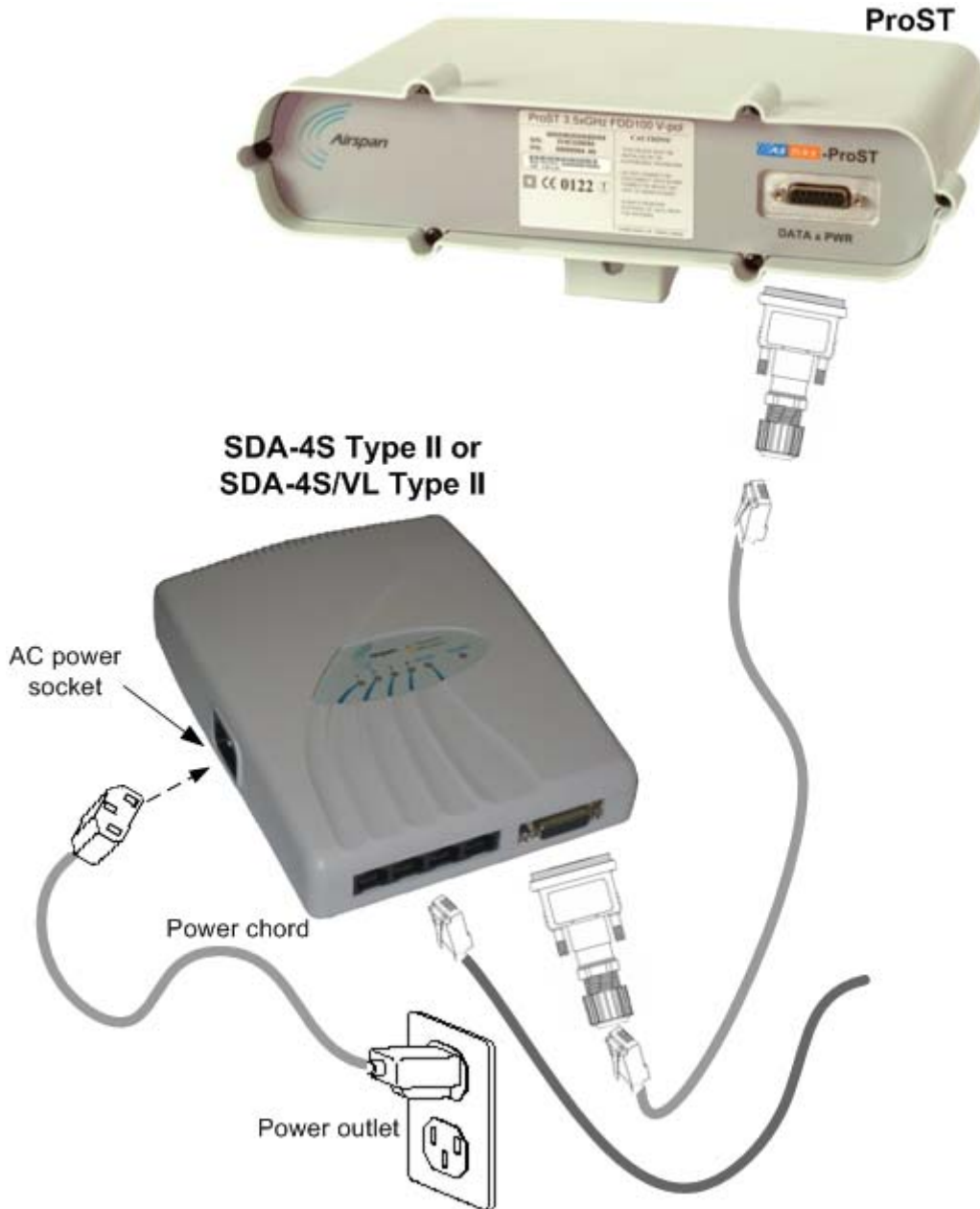
The cable setup between the SDA-4S and power outlet includes the following:

- ❑ **Connector:** AC IEC 60320 type (female)
- ❑ **Plug:** The appropriate plug type is supplied according to the country of use
- ❑ **Cable:** 3x1.20 mm, 10A / 250 VAC (maximum length is 180 cm)



To connect the SDA-4S to the AC power supply:

1. Connect the power plug female, at the end of the AC power chord, into the AC power socket located on the left panel of the SDA-4S.
2. Plug the power plug male, at the other end of the AC power chord, into the AC power outlet (110-240 VAC).
3. Verify that the power is received by the SDA-4S by checking that the **POWER** LED light is on.



Verify that your SDA-4S is on and receiving power by checking that the LED labeled **POWER** is lit (see SDA-4S LED description). If it is not lit, see Troubleshooting.

### Connecting Lightning and Surge Protector

The optional third-party lightning and surge protector (PolyPhaser) is implemented in the following deployment scenarios:

- ODU-to-IDU cable length of 40 meters or more (**mandatory to use surge protector**)



- Deployment of ProST in geographical areas that frequently experience severe lightning storms

The lightning and surge protector protects the ODU-to-IDU CAT 5 cable's six used wires (two -48 VDC wires and four Ethernet Tx and Rx wires) from any electrical surges due to lightning strikes.

The protector is installed outdoors on the CAT 5 cable that connects between the ProST and the IDU (i.e. SDA-1 Type II or SDA-4S). In other words, two CAT 5 cables are required for the following connections:

- ProST-to-protector connection
- Protector-to-IDU connection



**Warning:** Do not install the lightning and surge protector during adverse weather conditions when the threat of lightning strike is possible.



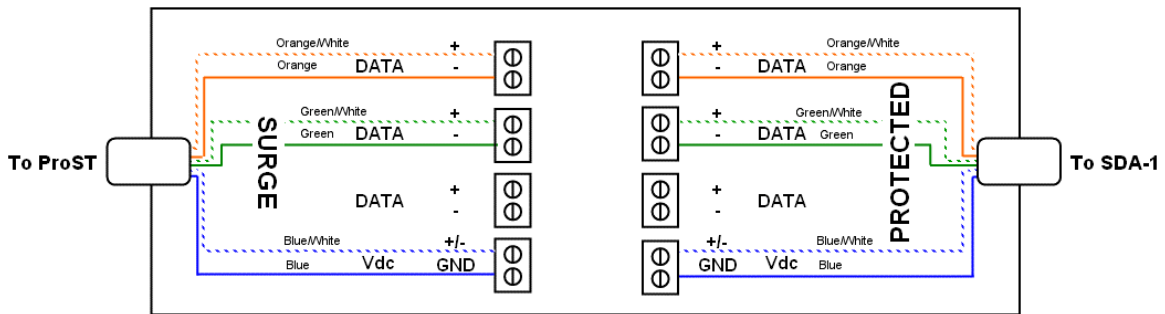
**Note:** The protector unit must be grounded to a low-impedance (low R and low L) ground system to operate properly.



**Note:** For pricing and ordering of the PolyPhaser lightning and surge protector, contact your Airspan representative.

**To install the lightning protector:**

1. Connect the protector in the direction according to the labels. The end labeled SURGE accepts the cable from the ProST; the end labeled PROTECTED accepts the cable from the IDU.
2. Feed the CAT 5 cable through the grommet (for each side). If the RJ-45 connector is already crimped to the other end, ensure that you have fed the cable through the gland nut beforehand. The gland nut secures the cable to the grommet.
3. Strip about 0.25" (6.35 mm) of the cable sheath and expose about 0.03" (0.8 mm) of the strands/wires.
4. Secure the wires to the protector's terminal block using the two spot ties. Each side of the data and DC assembly has + or - markings to ensure lines entering (surge side) match lines exiting (protected side).

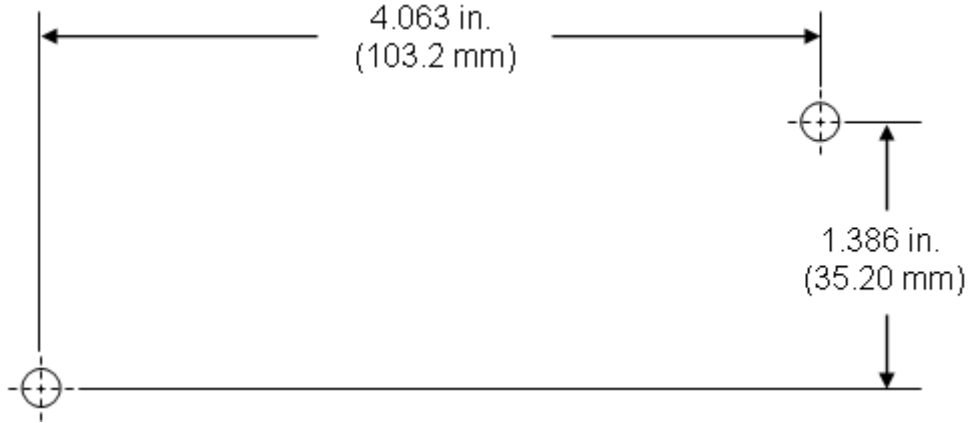


**Legend:**

Rx+	Orange/White
Rx-	Orange
Tx-	Green/White
Tx+	Green
+48 VDC	Blue/White
48 RTN	Blue

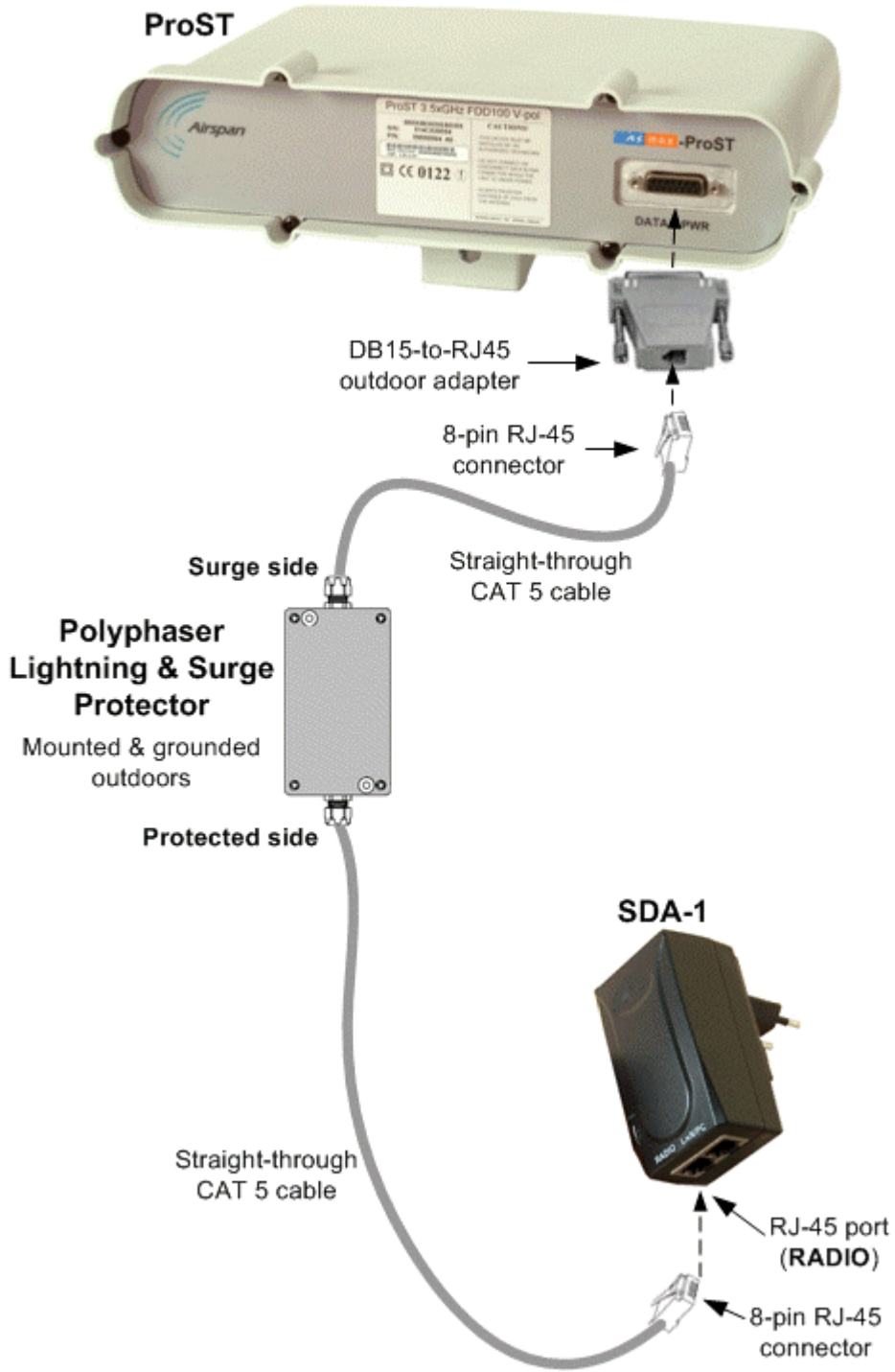
5. Mount and ground the protector outdoors with the provided 2 x 8-32 screws according to the fixing template illustrated below (showing distances between centers of the two

mounting holes). The unit may be mounted/grounded on a nearby plate or bulkhead panel that is bonded to an earth-ground system.



6. Attach the protector's lid by using the four M4 x 20-mm screws. Ensure that the neoprene gasket on the lid is not loose or out of the groove.
7. Secure the CAT 5 cable to the grommet by fastening the gland nut.

The figure below illustrates the connectivity of the lightning and surge protector using the SDA-1 Type II adapter as an example.



## RSSI LED PLUG ADAPTER

---

### Antenna Alignment using RSSI LED Plug Adapter

The RSSI LED Plug is a small adapter that allows you to accurately position (align) the ProST for optimal radio frequency signal reception with the Base Station. The RSSI LED Plug adapter provides LEDs that indicate the ProST's received signal strength (RSS) with the Base Station.

Once the RSSI LED Plug adapter is connected, you need to orientate the ProST (or third-party external antenna) to the position where the RSSI LEDs display the highest RSS measurements.

The RSSI LED Plug adapter connects between the ProST and SDA (or AC/DC adapter) by a CAT 5 cable(s). The RSSI LED Plug adapter provides two 15-pin D-type ports: one for the ProST side, and the other for the SDA (or AC/DC adapter) side.

The RSSI LED Plug adapter can be connected in one of the following manners:

- ▶ One end connects directly to the ProST's 15-pin D-type port, and the other end connects to the SDA (or AC/DC adapter) by a CAT 5 cable.
- ▶ Both ends connect to the ProST and SDA by a CAT 5 cable.

The following describes the RSS LED Plug adapter's cable setup:

- ▶ Cables: two straight-through cables for connecting the RSSI LED adapter to both the SDA (or AC/DC adapter) and ProST
- ▶ Connectors:
  - ProST side: 15-pin D-type male (only 6 pins used)
  - RSSI LED Plug adapter:
    - ProST side: 15-pin D-type female
    - SDA side: 15-pin D-type male
  - SDA side: 15-pin D-type male

## LED Status

The RED Power LED functions as follows:

Status	Description
<b>ON</b>	ProST receiving power from SDA
<b>OFF</b>	No power being received
<b>Blinking</b>	Data transmission via Ethernet LAN


The LED status for each RSSI level is defined in the following table:

RSSI Level dB	LED 0	LED 1	LED 2	LED 3	LED 4	LED 5	LED 6	LED 7
<b>97dB-</b>	0	0	0	0	0	0	0	0
<b>93 - 96</b>	1	0	0	0	0	0	0	0
<b>89 - 92</b>	1	1	0	0	0	0	0	0
<b>83 - 88</b>	1	1	1	0	0	0	0	0
<b>79 - 82</b>	1	1	1	1	0	0	0	0
<b>75 - 78</b>	1	1	1	1	1	0	0	0
<b>71 - 74</b>	1	1	1	1	1	1	0	0
<b>67 - 70</b>	1	1	1	1	1	1	1	0
<b>66 dB+</b>	1	1	1	1	1	1	1	1

Before connecting the power adapter to the ProST, you need to connect the AC power cable (that connects to the subscribers power outlet) to the adapter, as described in the following procedure.

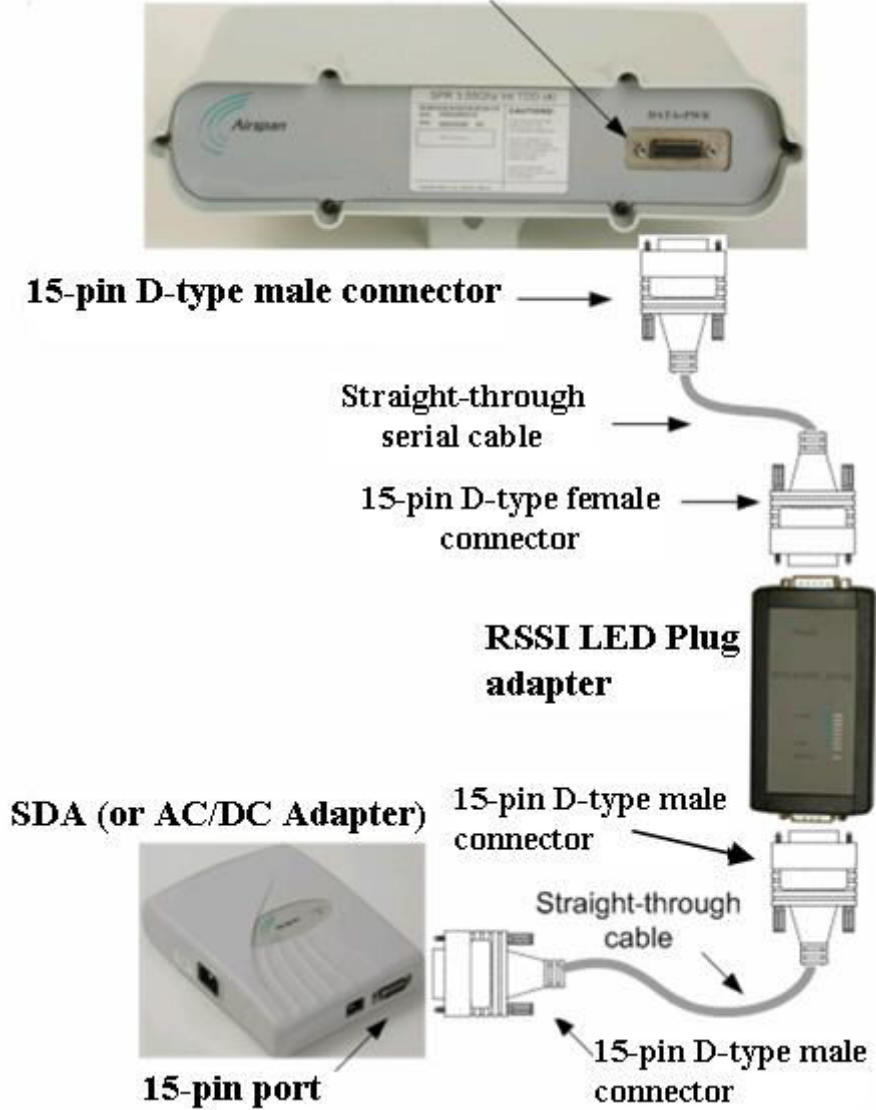
### To connect the RSSI LED Plug Adapter:

1. Connect the 15-pin D-type male connector, at one end of the straight-through cable, to the ProST.
2. Connect the 15-pin D-type female connector, at the other end of the straight-through cable from the ProST, to the RSSI LED adapter.
3. Connect the 15-pin D-type male connector, at one end of the straight-through cable, to the SDA.
4. Connect the 15-pin D-type male connector, at the other end of the straight-through cable from the SDA, to the RSSI LED adapter.

 **Note:** You can connect the RSSI LED Plug adapter's 15-pin male port directly to the ProSt's 15-pin female port, instead of using a cable.

The following diagram illustrates the RSSI LED plug connections:

### ProST/ProST-WiFi 15-pin port



## CONNECTING EXTERNAL ANTENNA

---

The ProST model without a built-in antenna provides an N-type port for connecting a third-party external antenna. The addition of an external antenna allows greater RF sector coverage than the standard ProST built-in antenna model. The external antenna is typically implemented in scenarios where the ProST is deployed at relatively far distances from the base station.



**Warning:** Before connecting the external antenna, ensure that the ProST is not connected to the power source.



**Warning:** Before powering on the ProST, ensure that some type of equipment such as an antenna or an RF attenuator is connected to the N-type receptacle. This eliminates the risk of irreversibly damaging the ProST device.



**Warning:** It is the responsibility of the person installing the ProST to ensure that only those antennas certified with the product are used. The use of any antenna other than those certified with the product is expressly forbidden.



**Warning:** The external antenna must not be co-located or operating in conjunction with any other antenna or transmitter.



**Warning:** The ProST and external antenna should be installed ONLY by experienced installation professionals who are familiar with the local building and safety codes and are licensed by the appropriate government authorities.



**Note:** The ProST model that provides an N-type connector for attaching a third-party external antenna does not contain an internal, built-in antenna.



**Note:** It is recommended that the same antenna polarization (i.e. horizontal or vertical) exists at both ends of the link (i.e. base station and subscriber site).

The following lists the cable setup for attaching the external antenna:

- ▣ **Cable:** RF coaxial
- ▣ **Connector:** N-type male

### To connect a third-party external antenna to the ProST:

- ▣ Connect the N-type male connector of the third-party antenna to the N-type receptacle located on the ProST's bottom panel (labeled **ANTENNA**), as displayed below.





## TROUBLESHOOTING

---

The table below provides some possible solutions to problems that may arise if the ProST is incorrectly installed:

Problem	Possible Cause	Solution
SDA-1 (and therefore, ProST) not receiving power -- <b>POWER LED</b> is off	No electricity at wall outlet	Ensure household provides electricity to the specific wall outlet (professional electrician required)
	SDA-1 prongs not plugged entirely into wall outlet socket	Ensure SDA-1 plug prongs are completely inserted into wall outlet
	SDA-1 plug prongs attached incorrectly to SDA-1	Remove the SDA-1 plug prongs and reinsert them, ensuring the following: <ul style="list-style-type: none"> <li>▶ Prongs are inserted into the SDA-1's prong grooves</li> <li>▶ Prongs slid to the end</li> <li>▶ Switch is in LOCK position</li> </ul>
	Network cables (radio and LAN) inserted into incorrect RJ-45 ports of the SDA-1	Ensure that the cables are plugged into the correct SDA-1 ports: <ul style="list-style-type: none"> <li>▶ Port labeled <b>RADIO</b>: for ProST-to-SDA-1 connectivity</li> <li>▶ Port labeled <b>LAN/PC</b>: for computer-to-SDA-1 connectivity</li> </ul>

## TRADEMARKS AND COPYRIGHTS

---

1. © Airspan Networks Inc 2006
2. The information in this document is proprietary to Airspan Networks Inc. This document may not in whole or in part be copied, reproduced, or reduced to any medium without prior consent, in writing, from Airspan Networks Incorporated.
3. This manual is subject to revision.
4. All rights reserved.
5. Right of modification reserved.
6. This manual is supplied without liability for errors or omissions.
7. No part of this manual may be reproduced or used except as authorised by contract or other written permission.
8. This equipment is conditioned by the requirement that no modifications are made to the equipment unless the changes or modifications are expressly approved by Airspan.
9. Prerequisite skills: Personnel installing, commissioning, and maintaining the Airspan products must have a basic knowledge of telephony and radio communications, and have experience in installing, commissioning and maintaining telecommunications products. Airspan provides a range of comprehensive training courses specifically aimed at providing operators/users of Airspan products with the prerequisite skills to install, commission and or maintain the product. The courses are tailored to provide the level of training required by the operator/user.
10. AS.MAX, MacroMAX, MicroMAX, HiperMAX Netspan, EasyST and ProST are brands of Airspan Networks Inc.

## CONTACT INFORMATION

---

### **UK Office for sales and general enquiries**

Airspan Communications Ltd  
Cambridge House  
Oxford Road  
Uxbridge  
Middlesex  
UB8 1UN

Call +44 (0) 1895 467100

Fax +44 (0) 1895 467101

email [sales@airspan.com](mailto:sales@airspan.com)

Internet: [Airspan.com](http://Airspan.com)

### **Customer Service Help-Desk for customer service emergency**

Airspan Communications Limited  
Cambridge House  
Oxford Road  
Uxbridge  
Middlesex  
UB8 1UN

Int. Tel: +44 (0) 1895 467 467

Int. Fax: +44 (0) 1895 467 472

E-mail: [Support@Airspan.com](mailto:Support@Airspan.com)

## REVISIONS

---

Revision Level	Date	Main Changes
A	24-11-2005	Initial Document
B	28-3-2006	Warning Removed Additions
C	23-4-2006	RSSI LED Plug
D	20-06-2006	Standardize document + additions
E	17-06-2006	Corrections

## WARNINGS

---

### 1. Disclaimer

Every effort has been made to ensure the accuracy of the material provided herein; however, Airspan assumes no responsibility regarding the use of the material. Additionally, Airspan makes no representations or warranties, either expressed or implied, regarding the contents of this product. Airspan Networks Inc. shall not be liable for any misuse regarding this product.

Any product performance limits stated within this document are for information purposes only and should be considered as indicative.

### 1.1 Safety Warnings

1. Read this User Manual and follow all operating and safety instructions.
2. Keep all product information for future reference.
3. This product is supplied with a grounding power plug. Do not defeat this important safety feature.
4. **Warning:** High voltages exist inside the product - do not remove the lid or base: No user serviceable parts inside.
5. **CAUTION: DOUBLE POLE/NEUTRAL FUSING** - Always replace the fuse with the correct type and current rating.
6. Position the power cord to avoid possible damage; do not overload wall outlets.
7. Do not place this product on or near a direct heat source, and avoid placing objects on the terminal.
8. Do not operate this device near water or in a wet location.
9. Use only a damp cloth for cleaning. Do not use liquid or aerosol cleaners. Disconnect the power before cleaning.
10. Protect the terminal by disconnecting the power if not used for long periods.
11. Mount the terminal in a Telco rack on a stable horizontal surface.
12. The radio antenna units must not be located near power lines or other electrical power circuits.
13. The radio transceiver must be properly grounded to protect against power surges and accumulated static electricity. It is the user's responsibility to install this device in accordance with the local electrical codes: correct installation procedures for grounding of the transceiver unit, mast, lead-in wire and discharge unit, location of discharge unit, size of grounding conductors and connection requirements for grounding electrodes.
14. Installation of the transceiver must be contracted to a professional installer.
15. Disconnect Device. The socket outlet shall be installed near the equipment, easily accessible and will act as the disconnect for the device.
16. When installed in the final configuration, the product must comply with the applicable Safety Standards and regulatory requirements of the country in which it is installed. If necessary, consult with the appropriate regulatory agencies and inspection authorities to ensure compliance.

### 1.2 Important Warning Symbols

The following symbols may be encountered during installation or troubleshooting. These warning symbols mean danger. Bodily injury may result if you are not aware of the safety hazards involved in working with electrical equipment and radio transmitters. Familiarize yourself with standard safety practices before continuing.



**Electro-Magnetic Radiation**



**High Voltage**

### 1.3 Important Service Information

1. Refer all repairs to qualified service personnel. Do not remove the covers or modify any part of this device, as this will void the warranty.
2. Disconnect the power to this product and return it for service if the following conditions apply:
  - a. The terminal does not function after following the operating instructions outlined in this manual.
  - b. Liquid has been spilled, a foreign object is inside, or the terminal has been exposed to rain.
  - c. The product has been dropped or the housing is damaged.
3. Locate the serial number of the terminal, antenna, and transceiver and record these on your registration card for future reference. Use the space below to affix serial number stickers. Also record the MAC address, located on the back of the terminal.

### 1.4 UL Information

- The equipment must be properly grounded according with NEC and other local safety code requirements
- Reminder to all the BWA system installers: Attention to Section 820-40 of the NEC which provides guidelines for proper grounding and, in particular, specifies that the cable ground shall be connected to the grounding system of the building, as close to the point of cable entry as is practical.

### 1.5 CE Notice

The MacroMAX shelf carries the CE mark to demonstrate conformity with the Radio Equipment and Telecommunications Terminal Equipment and the Mutual recognition of their conformity (R&TTE) directive 1999/5/EC.

**WARNING:** This is a class A product. In a domestic environment this product may cause radio interference in which case the user may be required to take adequate measures.

#### **Installation**

The transceiver and antenna equipment must be installed by a qualified professional installer and must be installed in compliance with regional, national, and local regulations. It is the responsibility of the system installer and/or system operator to ensure the installed system does not exceed any operational constraints identified by local regulations.

Refer to the sections in this product User Guide for detailed information about the correct installation steps to ensure power and frequency settings are set correctly before connecting the antenna.

#### **Antenna Selection**

Refer to the product User Guide for a list of Airspan Networks approved antennas. Antennas not listed in the User Guide are outside the scope of this Declaration.

**CAUTION:** European Directive 1999/519/EC details basic restrictions and reference levels on human exposure to electromagnetic fields as advised by the ICNIRP. The directive states that adherence to these recommended restrictions and reference levels should provide a high level of protection as regards the established health effects that may result from exposure to such fields.

By the very nature of the system design and installation users will not find them selves within close proximity of the subscriber terminals.

Standards EN50383 and EN50385 are the applicable harmonised standards for EM fields generated by fixed wireless equipment.

The Electromagnetic fields generated by the Central Terminal antenna are below the recommended safe levels at all distances greater than 65 cm from an approved Airspan antenna.

The safe distance from a non-approved antenna of length D and Sector Angle  $\delta$  may be calculated using the formula:

Safe distance,  $r = 36 / (n * D * \delta)$

## 1.6 European Community, Switzerland, Norway, Iceland, and Liechtenstein

### Declaration of Conformity with Regard to the R&TTE Directive 1999/5/EC

#### English:

This equipment is in compliance with the essential requirements and other relevant provisions of Directive 1999/5/EC.

#### Deutsch:

Dieses Gerät entspricht den grundlegenden Anforderungen und den weiteren entsprechedenen Vorgaben der Richtlinie 1999/5/EU.

#### Dansk:

Denne udstyr er i overensstemmelse med de væsentlige krav og andre relevante bestemmelser i Directiv 1999/5/EF.

#### Español:

Este equipo cumple con los requisitos esenciales asi como con otras disposiciones de la Directive 1999/5/EC.

#### Ελληνικά:

Αυτόσ ο εξοπλισμός συμμορφώνεται με τις ουσιώδεις απαιτήσεις και τις λοιπές διατάξεις της Οδηγίας 1999/5/EK.

#### Français:

Cet appareil est conforme aux exigences essentielles et aux autres dispositions pertinentes de la Directive 1999/5/EC.

#### Íslenska:

Þessi búnaður samrýmist lögboðnum kröfum og öðrum ákvæðum tilskipunar 1999/5/ESB.

#### Italiano:

Questo apparato é conforme ai requisiti essenziali ed agli altri principi sanciti dalla Direttiva 1999/5/EC.

#### Nederlands:

Deze apparatuur voldoet aan de belangrijkste eisen en andere voorzieningen van richtlijn 1999/5/EC.

#### Norsk:

Denne utstyret er i samsvar med de grunnleggende krav og andre relevante bestemmelser i EU-directiv 1999/5/EC.

#### Português:

Este equipamento satisfaz os requisitos essenciais e outras provisões da Directiva 1999/5/EC.

**Suomalainen:**

Tämä laite täyttää direktiivin 1999/5/EY oleelliset vaatimukset ja on siinä asetettujen muidenkin ehtojen mukainen.

**Svenska:**

Denna utrustning är i överensstämmelse med de väsentliga kraven och andra relevanta bestämmelser i Direktiv 1999/5/EC.

The Declaration of Conformity related to this product can be obtained from [product\\_management@Airspan.com](mailto:product_management@Airspan.com)

## 1.7 CAUTION

Any modifications to this device not expressly authorised by the manufacturer could void the user's authority to operate this device.

Responsible party for compliance is:

David Mann, Airspan Networks Inc., Cambridge House, Oxford Rd, Uxbridge, Middlesex, England, UB8 1UN. Telephone (44) 1 895 467450.

## 1.8 Lightning Protection

**WARNING:** The following notes are general recommendations for the system. The wireless equipment should be installed by a qualified professional installer and must follow local and national codes for electrical grounding and safety. Failure to meet safety requirements and/or use of non-standard practices and procedures could result in personal injury and damage to equipment. A direct lightning strike may cause serious damage even if these guidelines are followed.

All outdoor wireless equipment is susceptible to lightning damage from a direct hit or induced current from a near strike. Lightning protection and grounding practices in local and national electrical codes serve to minimize equipment damage, service outages, and serious injury. Reasons for lightning damage are summarized as:

- Poorly grounded tower/antenna sites that can conduct high lightning strike energy into equipment.
- Lack of properly installed lightning protection equipment that can cause equipment failures from lightning induced currents.

A lightning protection system provides a means by which the energy may enter earth without passing through and damaging parts of a structure. A lightning protection system does not prevent lightning from striking; it provides a means for controlling it and preventing damage by providing a low resistance path for the discharge of energy to travel safely to ground. Improperly grounded connections are also a source of noise that can cause sensitive equipment to malfunction.

A good tower grounding system disperses most of the surge energy from a tower strike away from the building and equipment. The remaining energy on the RF cable shield and center conductor can be directed safely to ground by using a lightning arrester in series with the RF cable.

To limit the equipment damage due to a lightning strike, the following practices are recommended for the wireless system:

- Provide direct grounding from the antenna mounting bracket, the radio and antenna and the lightning arrestors to the same ground point at the base of the tower or a ground bus on the building. Use the grounding screws on the antenna bracket and the radio and antenna for terminating the ground wires.



- Install one RF lightning protector between the radio and antenna in series with the RF cable.
- A lightning arrestor in series with the RF cable at the point of entry to the building.
- Install a lightning arrestor in series with the IF cable at the transceiver on the tower/mast.
- The AC wall outlet ground for the MacroMAX terminal must be connected to the same grounding system as the radio and antenna lightning protectors.

## GLOSSARY

### B

**BPSK:** Binary Phase Shift Keying

**BS:** Base Station

**BWA:** Broadband Wireless Access

### C

**CID:** Connection Identifier Number

**CPE:** Customer Premises Equipment (interchangeable with ST)

### D

**dB:** Decibel

**dBm:** Power ratio in dB (decibel) of the measured power referenced to one milliwatt

**DL:** Downlink

### F

**FDD:** Frequency Division Duplex

**FEC:** Forward Error Correction

**FTP:** File Transfer Protocol

### G

**GHz:** Gigahertz. One GHz represents 1 billion cycles per second

### H

**HFDD:** Half-Duplex FDD

**Hz:** Hertz

### I

**IAD:** Integrated Access Device

**IDU:** Indoor Unit (i.e. SDA-1 Type II, SDA-4S Type II, or SDA-4S/VL Type II)

**IP:** Internet Protocol

**ISP:** Internet Service Provider

### L

**LAN:** Local-Area Network

### M

**MAC:** Media Access Controller. The next layer up from the PHY.

**Mbit/s:** Megabits per second

**MHz:** Megahertz (one million cycles per second)

**MIB:** Management Information Base

## N

**NLOS:** Non Line-of-Sight radio propagation path

## O

**ODU:** Outdoor Unit (i.e. ProST)

**OFDM:** Orthogonal Frequency Division Multiplexing

## Q

**QAM:** Quadrature Amplitude Modulation

**QoS:** Quality of Service, which is used to specify level of data throughput

**QPSK:** Quadrature Phase Shift Keying

## R

**RF:** Radio Frequency

**Rx:** Receive

## S

**SDA-4S:** Convenient term for either the SDA-4S Type II or SDA-4S/VL adapters

**SF:** Service Flow

**SME:** Small and Medium-sized Enterprise

**SNMP:** Simple Network Management Protocol

**SNR:** Signal-to-Noise Ratio

**ST:** Subscriber Terminal (interchangeable with CPE or SS)

## T

**TDMA:** Time Division Multiple Access. Technology for delivering digital wireless service using time-division multiplexing (TDM)

**TNV:** Telecommunications Network Voltage

**Tx:** Transmit

## U

**UGS:** Unsolicited Grant Service. Used to provide fixed bandwidth slots on the uplink for an ST to transmit data at regular intervals. The bandwidth should be used by the UGS SF, however the final decision of which SF (if any) uses the bandwidth slot is made by the ST.

## **V**

**VoIP:** Voice over Internet Protocol

## **W**

**WiMAX:** WiMAX is a wireless industry coalition whose members are organized to advance IEEE 802.16 standards for broadband wireless access (BWA) networks.

## INDEX

### A

Antenna Alignments	
Orientating when Pole Mounted .....	23
Orientating when Wal Mounted) .....	23
Architecture .....	6

### B

Bandwidth Speed.....	6
Benefits.....	6
Block Diagram.....	6
BPSK .....	6

### C

Cabling ProST	
Connecting to AC Power .....	41
Connecting to DC Power.....	41
Connecting to External Antenna .....	58
Connecting to PC .....	33
Connecting to SDA-1 .....	33
Changing SDA-1 Plug Prongs .....	41
Components.....	6
Computer, Connecting to ProST .....	33

### D

Dimensions	
ProST .....	16
SDA-1 .....	16

### F

Features.....	6
---------------	---

### L

LEDs of SDA-1, Descriptions .....	16
-----------------------------------	----

### Lightning Protector

Connecting to ProST .....	41
---------------------------	----

### M

#### Mounting

Pole Mounting.....	23
Wall Mounting.....	23

### O

Overview .....	6
----------------	---

### P

Pole Mounting .....	23
---------------------	----

### Ports

ProST Port Description .....	16
SDA-1 Port Descriptions .....	16

### Power

Changing SDA-1 Plug Prongs .....	41
Connecting Lightning Protector.....	41
Connecting to AC Power .....	41
Connecting to DC Power.....	41

### ProST

Connecting Lightning Protector.....	41
Connecting to AC Power .....	41
Connecting to DC Power.....	41
Connecting to PC .....	33
Connecting to SDA-1 .....	33
Models .....	6
Physical Dimensions .....	16
Pole Mounting.....	23
Port Description .....	16
Wall Mounting.....	23

Protocol Stack .....	6
----------------------	---

### Q

QAM .....	6
QPSK .....	6

### S

#### SDA-1

Changing Plug Prongs .....	41
Connecting to ProST .....	41
LED Description .....	16
Physical Dimenisons .....	16
Port Descriptions.....	16

### T

Theory of Operation .....	6
Troubleshooting.....	60

### W

Wall Mounting .....	23
---------------------	----



How to find out  
more  
about  
Airspan products  
and solutions

For more information about Airspan, its products and solutions, please visit our Web site:

[www.airspan.com](http://www.airspan.com)

Or write to us at one of the addresses below.

We will be delighted to send you additional information on any of our products and their applications around the world.

**Airspan has offices in the following countries:**

**Europe**

Czech Republic  
Poland  
Russia  
United Kingdom

**Africa**

South Africa

**Americas**

United States

**Asia Pacific**

Australia  
China  
Indonesia  
Japan  
New Zealand



**Worldwide Headquarters:**  
**Airspan Networks Inc.**  
777 Yamato Road, Suite 105  
Boca Raton, Florida 33431-4408  
USA

Tel: +1 561 893 8670  
Fax: +1 561 893 8671

**Main Operations:**  
**Airspan Communications Ltd.**

Cambridge House, Oxford Road,  
Uxbridge, Middlesex UB8 1UN  
UK

Tel: +44 (0) 1895 467 100