

MODEL 1200WP SPECIFICATIONS

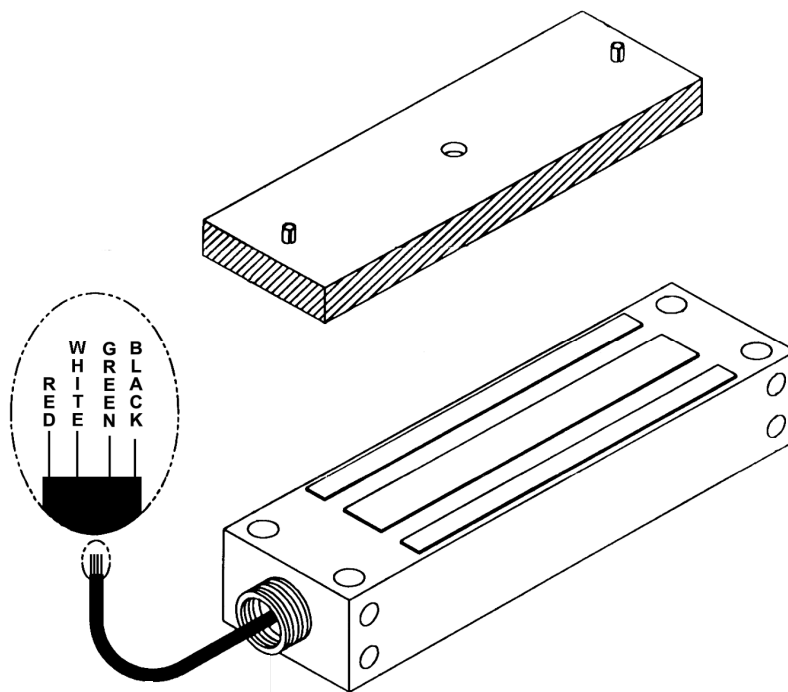
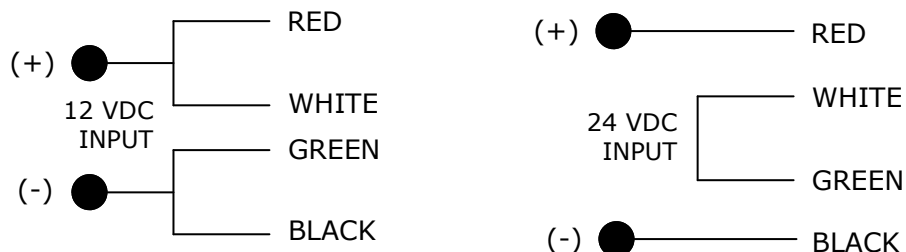
ELECTRICAL SPECIFICATIONS

Supply Voltage: 12 or 24 VDC
Current Draw: 440 mA @ 12VDC
260 mA @ 24 VDC

MECHANICAL SPECIFICATIONS

Magnet Size: 9"L x 2-5/8"H x 1-5/8"W
Armature Size: 7-1/2"L x 2-3/8"H x 9/16"W
Holding Force: 1200 Pounds
Housing: Stainless Steel
Conduit Fitting: Internal thread 1/2", External thread 3/4"

WIRING DIAGRAM



Alarm Controls Corporation
Deer Park, New York 11729
(800) 645-5538
www.alarmcontrols.com

ASSA ABLOY, the global leader
in door opening solutions

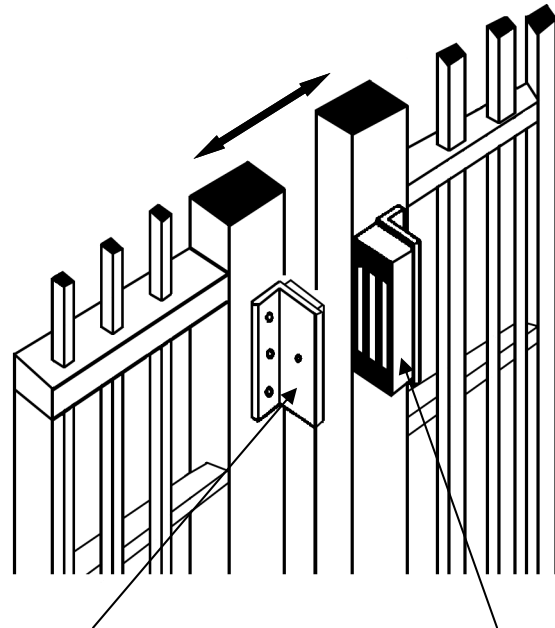
GATE LOCK INSTALLATION EXAMPLES

USE AM3370 BRACKET FOR MODEL 600WP

USE AM6370 BRACKET FOR MODEL 1200WP

CONSULT FACTORY FOR CUSTOM BRACKETS

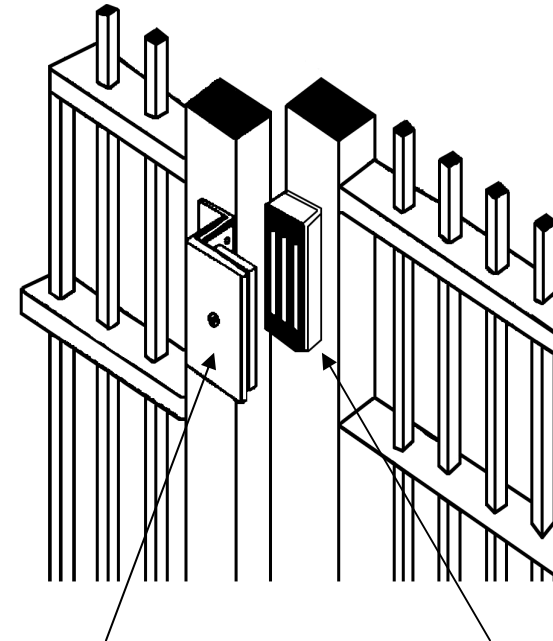
TYPICAL SLIDING GATE INSTALLATION



**ANGLE BRACKET
ATTACHES
ARMATURE TO
MOVING SECTION
OF GATE**

**ANGLE BRACKET
ATTACHES
MAGNET TO
STATIONARY SECTION
OF GATE**

TYPICAL SWINGING GATE INSTALLATION



**ADJUSTABLE
Z BRACKET
ATTACHES
ARMATURE TO
MOVING SECTION
OF GATE**

**MAGNET
MOUNTS ON
STATIONARY
SECTION
OF GATE**



ASSA ABLOY

Alarm Controls Corporation
19 Brandywine Drive
Deer Park, New York 11729
(800) 645-5538
www.alarmcontrols.com

ASSA ABLOY, the global leader in door opening solutions