



ArchiTech™ by Networx™

FOR MORTISE LOCKS USING MORTISED NETWORX CONTROL MODULES MOUNTING AND INSTALLATION INSTRUCTIONS

© NAPCO Security Technologies, Inc. 2014

WI2087A 11/14

DESCRIPTION

These instructions detail the hardware installation procedure for the ArchiTech **mortise door locks** using the **Mortised Networx Control Modules** for hollow metal and solid wood doors.

Installation instructions for the **Door Contact Magnet** (installed in the door jamb) and the **Oval** and **Rectangular Proximity Readers** are also included.

PARTS OVERVIEW

For reference, the images in Fig. A below display each component (not to scale). In addition to the various screws and components included with your lock, please be aware that two types of **Proximity Readers** are available (either **Oval** or **Rectangular**) and only one of type is included with your lock. Furthermore, one of two types of **Door Contact Magnets** (installed in door jamb) are included, either 3/8" or 3/4" diameter. We recommend taking the time to find and familiarize yourself with these components now, before you begin your installation.

As detailed in the instructions that follow, the **Proximity Reader** wire and **Mortise Lock Motor Wire** are routed through the door and are plugged into the **Mortised Networx Control Module**. The **Mortise Lock Motor Wire** can easily be routed within hollow metal doors. For solid wood doors, a **Mortise Drill Jig** (part #N9511DJ) **must** be used to drill a hole pathway within the solid wood door to route the **Mortise Lock Motor Wire**.

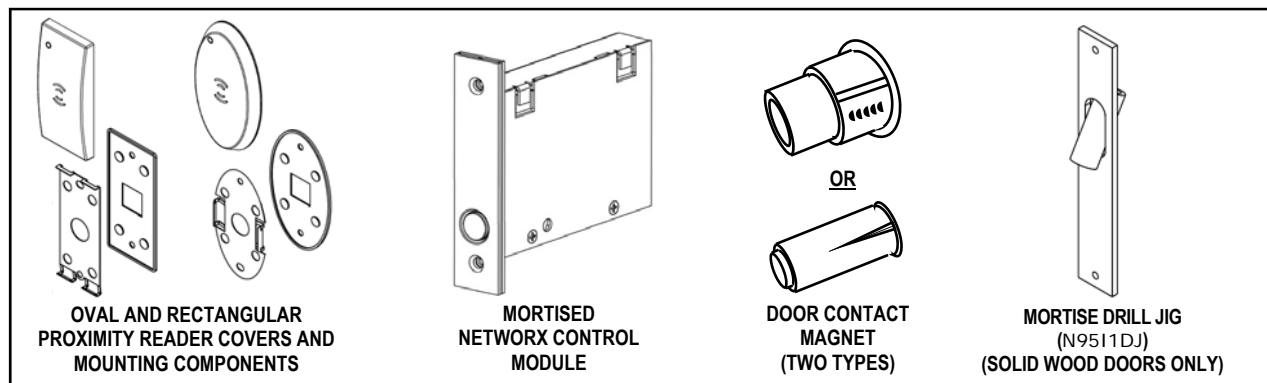


FIG. A: OVERVIEW OF BASIC PARTS (NOT TO SCALE)

REQUIRED TOOLS

In addition to the standard door prep kit tools used to install a mortise lock into a metal or wood door (Phillips and flat head screwdrivers, etc.), you will need: A small **level**, and the following drill bit sizes: **5/8"**, **3/8"**, **3/4"** and **7/64"**.

DOOR PREP: INITIAL STEPS

1. INSPECT THE DOOR BEVEL

Inspect the door for a bevel and, if beveled, determine which side is "longer" in width and which side is "shorter" in width (see "top view" example in Fig. 1). For beveled doors, be sure to use the correct marks printed on the template for the correct length of the outside door surface (either the "long" or "short" side of the door).

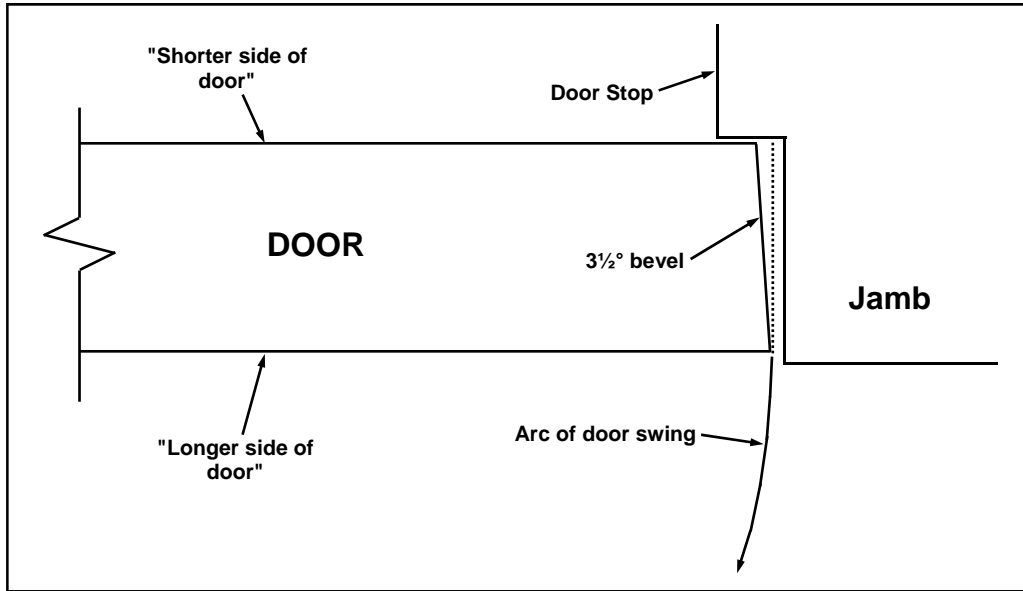


FIG. 1: EXAMPLE OF BEVELED DOOR (TOP VIEW)

2. PREP DOOR FOR MORTISE LOCK AND FOR MORTISED NETWORKX CONTROL MODULE

If not done already, use standard door prep kit tools and the instructions included with the mortise lock to prep the door and door jamb as required. These include mortising the door edge for the latch plate and mortising the door jamb for the strike plate.

Do not install the lock hardware yet.

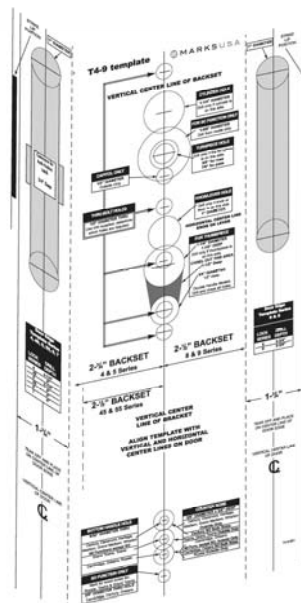


FIG. 2: USE TEMPLATE PROVIDED

3. TAPE ON DOOR: TEMPLATE (WI2089)

Remember, the **Proximity Reader** is always located on the outside ("unprotected" side) door surface.

Fold and place the template (WI2089) on the **outside door edge** (see arrow in Fig. 3 for an example). Align the template with the "**HORIZONTAL CENTER LINE OF LEVER**" as shown on the template. Tape the template in place.

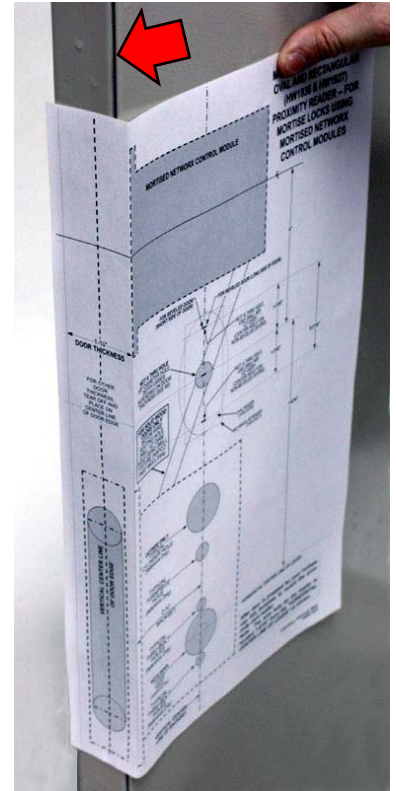


FIG. 3: EXAMPLE OF OUTSIDE DOOR EDGE (ARROW)

4. MARK TEMPLATE "PROXIMITY READER" HOLES

On the outside door surface, mark the two holes for the **Proximity Reader** mounting screws. Mark the center of the 5/8" diameter hole (NOT a thru-hole) used for the **Proximity Reader** wire.

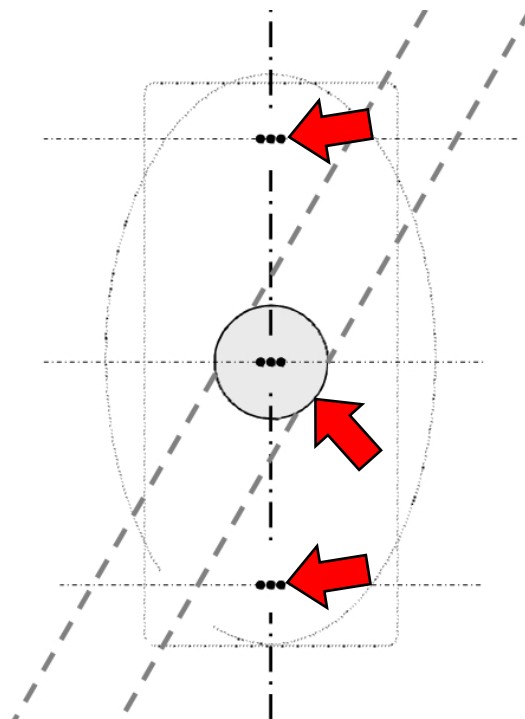


FIG. 4. CLOSE UP OF WI2089 TEMPLATE FOR THE "PROXIMITY READER"

DECISION: HOW TO ROUTE THE MORTISE LOCK MOTOR WIRE?



The **Mortise Lock** body includes a **Mortise Lock Motor Wire** plug that must be routed to and plugged into the **Mortised Networkx Control Module**. HOW this **Motor Wire** is routed depends on whether the door is *solid* or *hollow*.

Hollow Metal Doors:

- Route the **Mortise Lock Motor Wire** within the hollow metal door. Skip to step 6.

Solid Wood Doors:

- Use the **Mortise Drill Jig** (part #N9511DJ) to drill a pathway for the wire *within* the solid wood door (from the **Mortise Lock** body to the back of the **Mortised Networkx Control Module**). Skip to step 5, below.

5. USING THE MORTISE DRILL JIG

The **Mortise Drill Jig** (part #N9511DJ) **MUST** be used with **solid wood doors**. For hollow metal doors, skip to step 6.

PURPOSE OF THE MORTISE DRILL JIG

The **Mortise Drill Jig** is used to drill a diagonal 1/2" hole through solid wood doors to provide path for the **Mortise Lock Motor Wire** to run within the door and to be plugged into the back of the **Mortised Networkx Control Module**.

In the steps that follow, the **Jig** will be secured to the edge of the door, in the same location as the mortise lock faceplate, and the hole will be drilled within the door, as shown in profile on the template WI2089.

Fig. 5 displays a "side view" to show where this **Mortise Drill Jig** is positioned and the path of this drilled interior hole.

IMPORTANT! Do not install the **Mortised Networkx Control Module** yet!

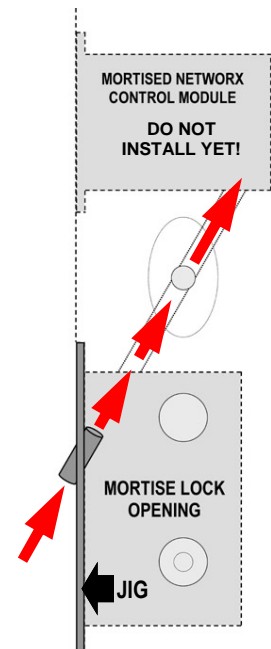


FIG. 5: SIDE VIEW:
DRILL JIG (N9511DJ)
DRILL HOLE INSIDE DOOR

5A. FASTEN DRILL JIG TO DOOR

The **Mortise Drill Jig** (part #N9511DJ) is placed into the edge of the door, into the same mortised opening that will be used for the **Mortise Lock**. Proceed as follows: Insert the **Jig** into the **Mortise Lock** opening as shown in Fig. 5A. Secure the **Jig** with the screws provided to prevent the **Jig** from shifting when in use.

IMPORTANT! Do not install the **Mortised Networkx Control Module** yet!



FIG. 5A: MORTISE DRILL JIG PLACEMENT

5B. DRILL HOLE WITH DRILL JIG

IMPORTANT! Ensure the **Mortised Networkx Control Module** is NOT installed!

Insert the 1/2-inch diameter wood drill bit (provided) into the **Mortise Drill Jig** and drill the hole into the door until the mortised opening for the **Mortised Networkx Control Module** is reached (about 8-9 inches).

When finished, remove the **Jig**.

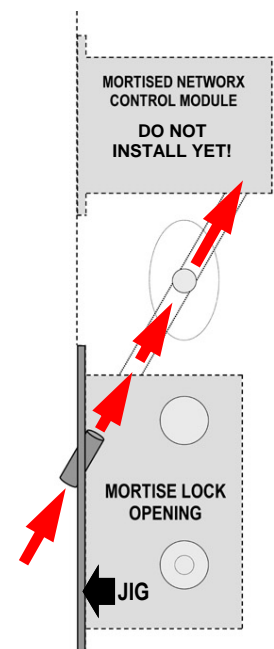


FIG. 5B: SIDE VIEW: DRILL JIG (N9511DJ) DRILL HOLE INSIDE DOOR

DOOR PREP: DRILL HOLES

IMPORTANT: Remove all burrs from wire holes. *Sharp edges can eventually wear away wire insulation.*

6. DRILL THE FOLLOWING HOLES IN THE DOOR

6A. Use $7/64$ " drill bit:

On the outside ("unprotected side") door surface, drill the two pilot holes for the **Proximity Reader** mounting screws (NOT thru-holes, drill only into the door surface).

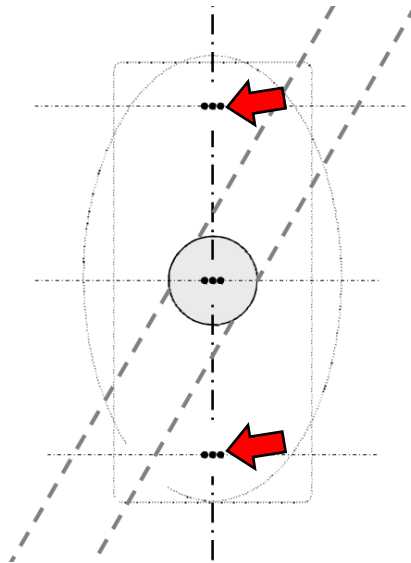


FIG. 6A: DRILL $7/64$ " PILOT HOLES FOR MOUNTING THE PROXIMITY READER

6B. Use $5/8$ " drill bit:

Drill the $5/8$ " diameter hole (NOT a thru-hole) for the **Proximity Reader** wire into the outside door surface only.

Note: With solid wood doors, this hole intersects the hole drilled using the **Mortise Drill Jig** in step 5B.

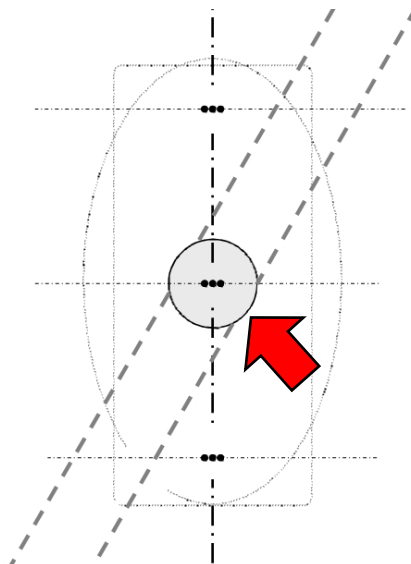


FIG. 6B: DRILL $5/8$ " DIAMETER HOLE (NOT A THRU-HOLE)

PROXIMITY READER INSTALLATION

Find the reader type provided, either oval or rectangular ("Option 1" or "Option 2", shown below). If you have an **Oval Proximity Reader**, go to step 7 below. If you have a **Rectangular Proximity Reader**, go to step 8.

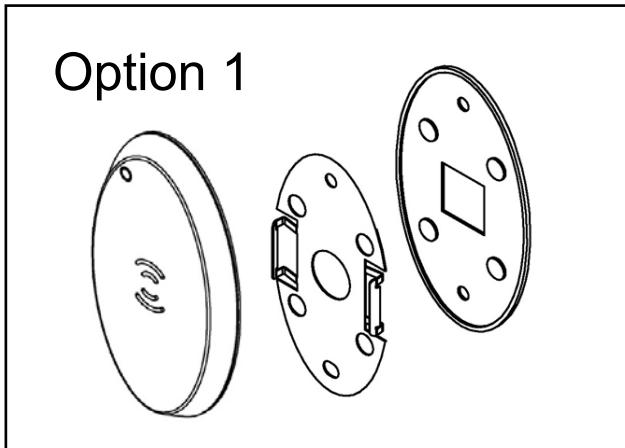


FIG. C: OVAL PROXIMITY READER
(GO TO STEP 7 BELOW)

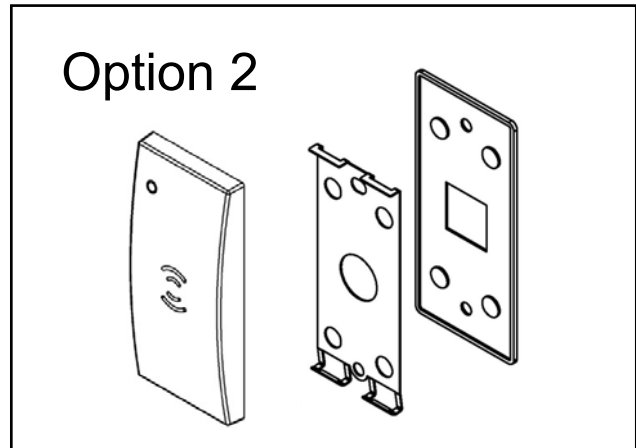
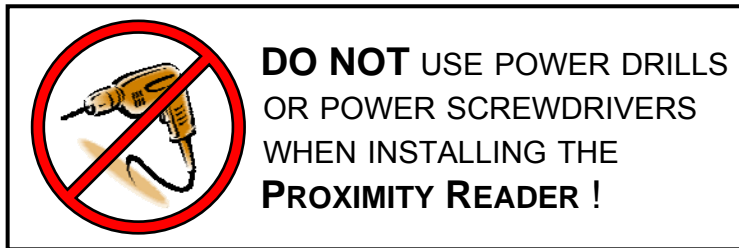


FIG. D: RECTANGULAR PROXIMITY READER
(GO TO STEP 8)



7. OVAL PROXIMITY READER INSTALLATION

If you have a "Rectangular" Proximity Reader, stop here and go directly to step 8.

Note that the **Oval Mounting Plate** is symmetrical, and therefore has no "top" or "bottom".

7A. INSTALL THE "OVAL RUBBER GASKET" AND THE "OVAL MOUNTING PLATE"

See Fig. 7A. Place the **Oval Rubber Gasket** against the door surface, over the 5/8" diameter hole that was drilled into the door in step 6B.

Place the **Oval Mounting Plate** on top of the **Oval Rubber Gasket**, and secure (*snug-tight only, do not over-tighten*) using the two Phillips Pan Head screws appropriate for the door type as follows:

- **For Metal Doors:** #6-32 x 1/2" long Type F thread cutting Phillips head (part #SC212);
- **For Wood Doors:** #6 x 1/2" long Type A Phillips head (part #SC265)

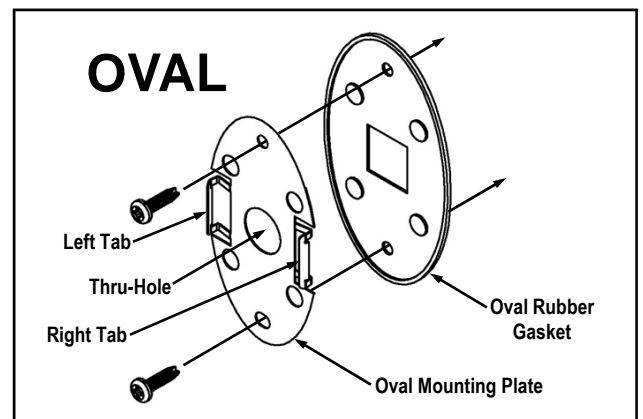


FIG. 7A: "OVAL MOUNTING PLATE" (WITH LEFT AND RIGHT "TABS") AND THE "OVAL RUBBER GASKET"

Again, do **NOT** over-tighten these screws; over-tightening will cause undesired deformation of the **Rubber Gasket**.

7B. RUN THE OVAL PROXIMITY READER WIRE

From the outside ("unprotected" side) of the door, feed the **Proximity Reader** wire fully into the 5/8" diameter hole and pull the Proximity Reader wire out through the **Mortised Networkx Control Module** mortised opening (let the wire hang out of this opening). *Do not pinch wire.*

Note: The **Oval Proximity Reader** plug sleeve color is *orange*.



FIG. 7B:
FEED THE WIRE INTO THE 5/8"
DIAMETER HOLE

7C. INSTALL OVAL PROXIMITY READER COVER

The **Oval Proximity Reader** cover "snaps" into place, as follows:

- a. Hook the **Reader** on the **Left Tab** of the **Mounting Plate** (see Fig. 7Ca).
- b. Keep thumb pressure on left side (see Fig. 7Ca).
- c. Press firmly on the right side of the **Reader** until it "snaps" into place (see Fig. 7Cc).

Note: A spare **Mounting Plate** and **Rubber Gasket** are provided if needed. *Be careful not to pinch any wires.*



FIG. 7Ca



FIG. 7Cc

8. RECTANGULAR PROXIMITY READER INSTALLATION

The **Rectangular Mounting Plate** IS NOT symmetrical, and therefore does have a "top" and a "bottom". Note the two **Top Tabs** and two **Bottom Tabs** shown in Fig. 8A:

8A. INSTALL THE "RECTANGULAR RUBBER GASKET" AND THE "RECTANGULAR MOUNTING PLATE"

See Fig. 8A. Place the **Rectangular Rubber Gasket** over the 5/8" diameter hole that was drilled into the door in step 6B, then place the **Rectangular Mounting Plate** on top of the **Rectangular Rubber Gasket**, and secure (*snug-tight only, do not over-tighten*) using the two Phillips Pan Head screws appropriate for the door type as follows:

- **For Metal Doors:** #6-32 x 1/2" long Type F thread cutting Phillips head (part #SC212);



- **For Wood Doors:** #6 x 1/2" long Type A Phillips head (part #SC265)

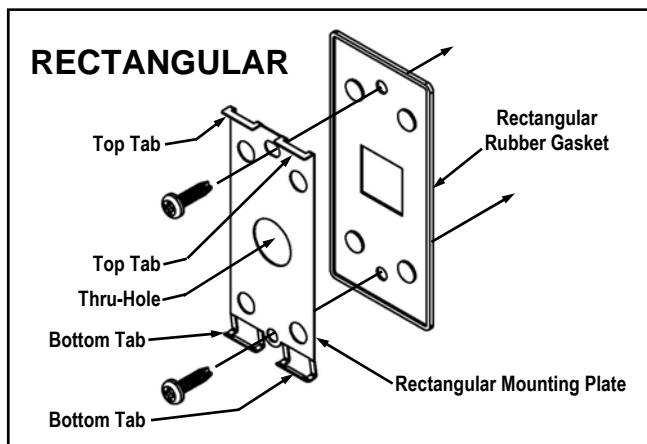


FIG. 8A: "RECTANGULAR PROXIMITY READER MOUNTING COMPONENTS"

Again, do **NOT** over-tighten these screws; over-tightening will cause undesired deformation of the **Rubber Gasket**.

8B. RUN THE RECTANGULAR PROXIMITY READER WIRE

From the outside ("unprotected" side) of the door, feed the **Rectangular Proximity Reader** wire fully into the 5/8" diameter hole and pull the Proximity Reader wire out through the **Mortised Networx Control Module** mortised opening (let the wire hang out of this opening) (see Fig 8B). *Do not pinch wire.*

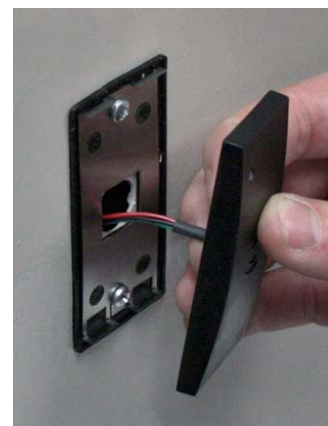


FIG. 8B: FEED THE WIRE INTO THE DOOR

Note: The **Rectangular Proximity Reader** plug sleeve color is *orange*.

8C. INSTALL RECTANGULAR PROXIMITY READER COVER

The **Rectangular Proximity Reader** cover "snaps" into place, as follows:

- Hook the **Rectangular Proximity Reader** on the two **Top Tabs** on the top of the **Rectangular Mounting Plate** (see Fig 8Ca).
- Press firmly on the bottom of the **Rectangular Proximity Reader** until it "snaps" into place (see Fig. 8Cb). *Be careful not to pinch any wires.*



FIG. 8Ca



FIG. 8Cb

9. INSTALL THE "MORTISE LOCK BODY"

Install the **Mortise Lock** into the wood or metal door as follows: As shown in Fig. 9, first feed its **Motor Wire** plug into its own mortised opening and then **out** through the **Mortised Networkx Control Module** mortised opening (let the **Mortise Lock Motor Wire** plug and wire hang out of this opening).

Insert the **Mortise Lock** into its opening and secure with the mounting hardware provided. See the installation instructions provided with the **Mortise Lock** for more information.

Note: The **Mortise Lock Motor Wire** plug sleeve color is *yellow*.

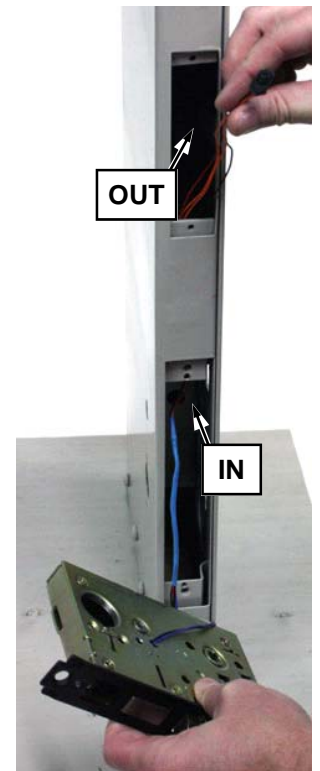


FIG. 9: FEED MORTISE LOCK WIRE THRU DOOR OPENINGS

10. CONNECT PLUGS IN THE "MORTISED NETWORKX CONTROL MODULE"

The rear of the **Mortised Networkx Control Module** has three (3) sockets labeled with the colors **Orange**, **Black** and **Yellow**. Simply match the colors of the plug wire sleeves to the colors of the sockets (the middle **Black** socket is currently not used and is reserved for future use). See Fig. 10.

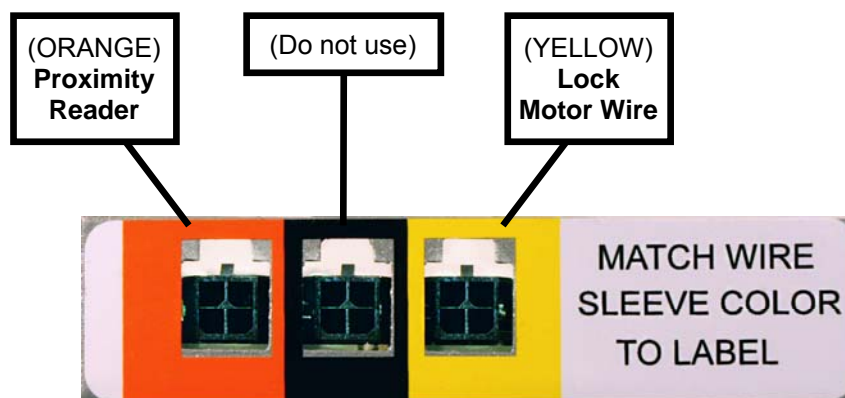


FIG. 10: MORTISED NETWORKX CONTROL MODULE CONNECTIONS

11. INSERT AND MOUNT THE "MORTISED NETWORKX CONTROL MODULE"

Before mounting, we recommend feeding all of the previously connected wires back into the door. Carefully insert the **Mortised Networkx Control Module** into its opening in the door edge (be sure not to pinch the wires). The face of the **Mortised Networkx Control Module** is beveled ($3\frac{1}{2}^\circ$) to match the bevel in the door edge; be sure to insert the unit to match the bevel in the door edge (see Fig. 11).

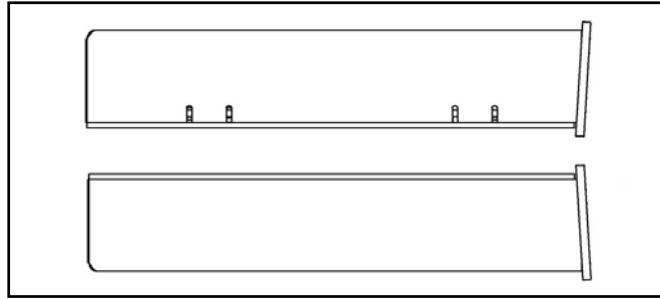


FIG. 11: (TOP VIEWS) INSTALL THE MORTISED NETWORKX CONTROL MODULE TO MATCH THE DOOR BEVEL ($3\frac{1}{2}^\circ$)

Insert the **Mortised Networkx Control Module** into its opening and secure with two #8 x $\frac{3}{4}$ " Phillips Flat-head "dual-thread" screws.



Install the flush **Finishing Plate** and secure with two 8-32 x $\frac{1}{4}$ " Phillips Flat-head screws.



12. MARK "DOOR CONTACT MAGNET" ON JAMB

The **Mortised Networkx Control Module** contains an integral **Reed Switch** that is activated by a magnet installed in the door jamb. The **Door Contact Magnet** must be installed in the door jamb such that when the door is closed, this **Magnet** is located *directly opposite* the **Door Contact Sensor**. Install as follows:

- 12A.** Find the Reed Switch. The **Reed Switch** is located under the **Finishing Plate** of the **Mortised Networkx Control Module**. Measure the location of the **Reed Switch** from the *center* of the button of the installed **Mortised Networkx Control Module**.

As shown in Fig. 12, the **Reed Switch** is located a little more than $\frac{1}{2}$ " ($\frac{17}{32}$ " to be exact) from the center of the button (towards the center of the unit)

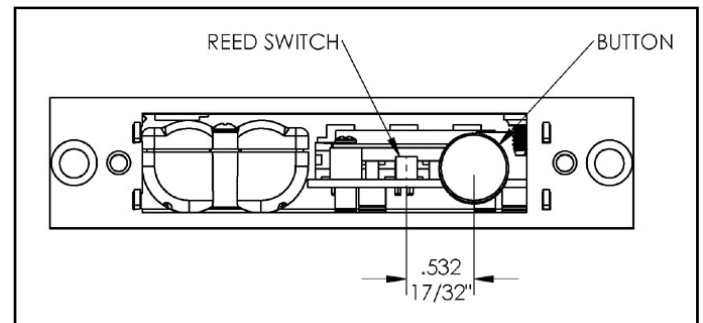


FIG. 12: LOCATION OF THE REED SWITCH, IN RELATION TO THE CENTER OF THE BUTTON

12B. Open the door and temporarily place a piece of tape across the center of the **Reed Switch**. This tape signifies the height (from the floor) of the **Reed Switch**.

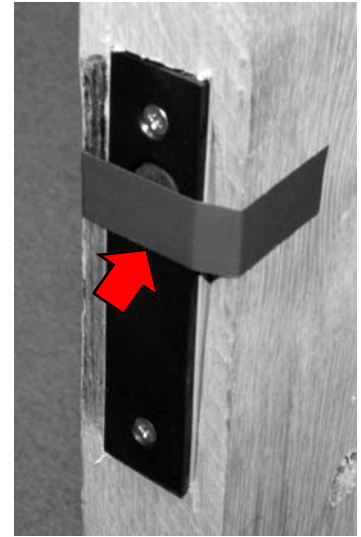


FIG. 12B: TAPE SIGNIFIES "HEIGHT FROM FLOOR"

12C. Close the door. Transfer this height to the door jamb with a light pencil mark.

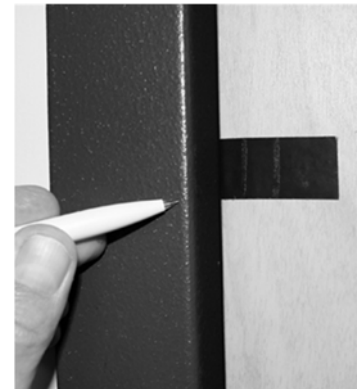


FIG. 12C: CLOSE DOOR AND TRANSFER HEIGHT TO JAMB

12D. Determine the center location on the jamb directly opposite the **Reed Switch** when the door is closed. Open the door and measure the distance from the door edge to the center of the **Reed Switch** (0.875" or $\frac{7}{8}$ "). Transfer this distance to the door jamb, measured from the door stop.



FIG. 12D: LOCATE MAGNET IN JAMB CENTERED DIRECTLY OPPOSITE THE SENSOR WHEN DOOR IS CLOSED

13. DRILL "DOOR CONTACT MAGNET" HOLE IN JAMB

13A. Find the **Door Contact Magnet** in the factory packaging. The type provided will be either **Type A** or **Type B** (see images in Fig.13A below). Also note its dimensions in Fig. 13A.

13B. Drill into the door jamb as follows:

For Hardwood Jambs:

- For the thicker "**Type A**" contact (below left image): Drill a 3/4" hole 7/8" deep into the jamb (that was marked in step 12D).
- For the thinner "**Type B**" contact (below right image): Drill a 3/8" hole 7/8" deep into the jamb (that was marked in step 12D).

For Hollow Metal Jambs:

- Use either a 3/4" or 3/8" bit (depending on **Door Contact Magnet** Type A or Type B) to drill a hole into the surface of the jamb (marked in step 12D).

13C. Insert the magnetic **Door Contact Magnet** in the jamb hole; the contact sits almost flush with the jamb when fully inserted. In some cases, an adhesive may be needed to ensure a secure fit.

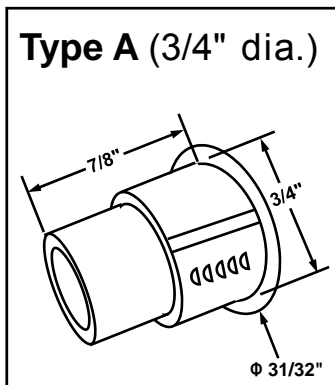


FIG. 13A: FIND THE "DOOR CONTACT MAGNET" PROVIDED, EITHER TYPE A (3/4" DIAMETER) OR TYPE B (3/8" DIAMETER)

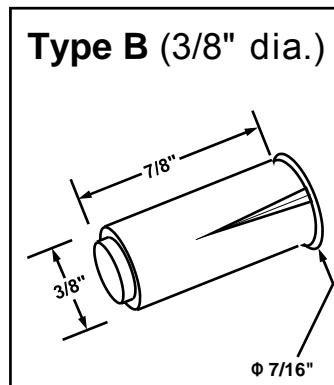


FIG. 13B: DRILL DOOR JAMB HOLE (EITHER 3/8" OR 3/4" DEPENDING ON TYPE)



FIG. 13C: DOOR CONTACT MAGNET INSTALLED IN DOOR JAMB

NOTES

NOTES

ArchiTech Networx Limited Warranty

NAPCO Security Technologies, Inc. (NAPCO) warrants its products to be free from manufacturing defects in materials and workmanship for twenty four months following the date of manufacture. NAPCO will, within said period, at its option, repair or replace any product failing to operate correctly without charge to the original purchaser or user.

This warranty shall not apply to any equipment, or any part thereof, which has been repaired by others, improperly installed, improperly used, abused, altered, damaged, subjected to acts of God, or on which any serial numbers have been altered, defaced or removed. Seller will not be responsible for any dismantling or reinstallation charges, environmental wear and tear, normal maintenance expenses, or shipping and freight expenses required to return products to NAPCO. Additionally, this warranty shall not cover scratches, abrasions or deterioration due to the use of paints, solvents or other chemicals.

THERE ARE NO WARRANTIES, EXPRESS OR IMPLIED, WHICH EXTEND BEYOND THE DESCRIPTION ON THE FACE HEREOF. THERE IS NO EXPRESS OR IMPLIED WARRANTY OF MERCHANTABILITY OR A WARRANTY OF FITNESS FOR A PARTICULAR PURPOSE. ADDITIONALLY, THIS WARRANTY IS IN LIEU OF ALL OTHER OBLIGATIONS OR LIABILITIES ON THE PART OF NAPCO.

Any action for breach of warranty, including but not limited to any implied warranty of merchantability, must be brought within the six months following the end of the warranty period.

IN NO CASE SHALL NAPCO BE LIABLE TO ANYONE FOR ANY CONSEQUENTIAL OR INCIDENTAL DAMAGES FOR BREACH OF THIS OR ANY OTHER WARRANTY, EXPRESS OR IMPLIED, EVEN IF THE LOSS OR DAMAGE IS CAUSED BY THE SELLER'S OWN NEGLIGENCE OR FAULT.

In case of defect, contact the security professional who installed and maintains your security system. In order to exercise the warranty, the product must be returned by the security professional, shipping costs prepaid and insured to NAPCO. After repair or replacement, NAPCO assumes the cost of returning products under warranty. NAPCO shall have no obligation under this warranty, or otherwise, if the product has been repaired by others, improperly installed, improperly used, abused, altered, damaged, subjected to accident, nuisance, flood, fire or acts of God, or on which any serial numbers have been altered, defaced or removed. NAPCO will not be responsible for any dismantling, reassembly or reinstallation charges, environmental wear and tear, normal maintenance expenses, or shipping and freight expenses required to return products to NAPCO. Additionally, this warranty shall not cover scratches, abrasions or deterioration due to the use of paints, solvents or other chemicals.

This warranty contains the entire warranty. It is the sole warranty and any prior agreements or representations, whether oral or written, are either merged herein or are expressly cancelled. NAPCO neither assumes, nor authorizes any other person purporting to act on its behalf to modify, to change, or to assume for it, any other warranty or liability concerning its products.

In no event shall NAPCO be liable for an amount in excess of NAPCO's original selling price of the product, for any loss or damage, whether direct, indirect, incidental, consequential, or otherwise arising out of any failure of the product. Seller's warranty, as hereinabove set forth, shall not be enlarged, diminished or affected by and no obligation or liability shall arise or grow out of Seller's rendering of technical advice or service in connection with Buyer's order of the goods furnished hereunder.

NAPCO RECOMMENDS THAT THE ENTIRE SYSTEM BE COMPLETELY TESTED WEEKLY.

Warning: Despite frequent testing, and due to, but not limited to, any or all of the following; criminal tampering, electrical or communications disruption, it is possible for the system to fail to perform as expected. NAPCO does not represent that the product/system may not be compromised or circumvented; or that the product or system will prevent any personal injury or property loss by burglary, robbery, fire or otherwise; nor that the product or system will in all cases provide adequate warning or protection. A properly installed and maintained alarm may only reduce risk of burglary, robbery, fire or otherwise but it is not insurance or a guarantee that these events will not occur. CONSEQUENTLY, SELLER SHALL HAVE NO LIABILITY FOR ANY PERSONAL INJURY, PROPERTY DAMAGE, OR OTHER LOSS BASED ON A CLAIM THE PRODUCT FAILED TO GIVE WARNING. Therefore, the installer should in turn advise the consumer to take any and all precautions for his or her safety including, but not limited to, fleeing the premises and calling police or fire department, in order to mitigate the possibilities of harm and/or damage.

NAPCO is not an insurer of either the property or safety of the user's family or employees, and limits its liability for any loss or damage including incidental or consequential damages to NAPCO's original selling price of the product regardless of the cause of such loss or damage.

Some states do not allow limitations on how long an implied warranty lasts or do not allow the exclusion or limitation of incidental or consequential damages, or differentiate in their treatment of limitations of liability for ordinary or gross negligence, so the above limitations or exclusions may not apply to you. This Warranty gives you specific legal rights and you may also have other rights which vary from state to state.