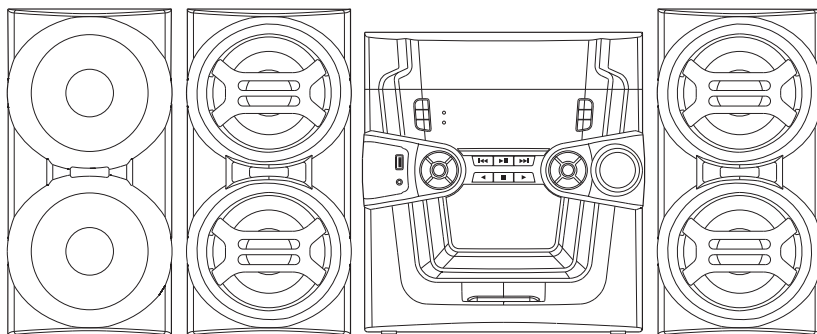


500W 5-CD Mini System

with Bluetooth Receiver

CD2965SB



It's important to read this instruction prior to using your new product for the first time.

Safety Precautions



CAUTION: TO REDUCE THE RISK OF ELECTRIC SHOCK, DO NOT REMOVE COVER (OR BACK). NO USER-SERVICEABLE PARTS INSIDE. REFER SERVICING TO QUALIFIED SERVICE PERSONNEL.

Caution:

This product utilizes a laser. Use of controls or adjustments or performance of procedures other than those specified may result in hazardous radiation exposure. Do not open covers and do not repair yourself. Refer servicing to qualified personnel.



This product contains a low power laser device.

WARNING: TO PREVENT FIRE OR ELECTRICAL SHOCK HAZARD, DO NOT EXPOSE THIS PRODUCT TO RAIN OR MOISTURE.

CAUTION: USE OF CONTROLS OR ADJUSTMENTS OR PERFORMANCE OF PROCEDURES OTHER THAN THOSE SPECIFIED MAY RESULT IN HAZARDOUS RADIATION EXPOSURE.

CAUTION: DANGER OF EXPLOSION IF BATTERY IS INCORRECTLY REPLACED. REPLACE ONLY WITH THE SAME OR EQUIVALENT TYPE.

WARNING: MAINS PLUG IS USED AS DISCONNECT DEVICE AND IT SHOULD REMAIN READILY OPERABLE DURING INTENDED USE. IN ORDER TO DISCONNECT THE MAINS PLUG FROM MAINS COMPLETELY, THE MAINS PLUG SHOULD BE DISCONNECTED FROM THE MAINS SOCKET OUTLET COMPLETELY.

THE LIGHTNING FLASH AND ARROWHEAD WITHIN THE TRIANGLE IS A WARNING SIGN ALERTING YOU OF "DANGEROUS VOLTAGE" INSIDE THE PRODUCT.

THE EXCLAMATION POINT WITHIN THE TRIANGLE IS A WARNING SIGN ALERTING YOU OF IMPORTANT INSTRUCTIONS ACCOMPANYING THE PRODUCT.

FCC information

This device complies with part 15 of the FCC Rules. Operation is subject to the following two conditions: (1) This device may not cause harmful interference, and (2) this device must accept any interference received, including interference that may cause undesired operation.

This equipment has been tested and found to comply with the limits for a Class B digital device, pursuant to part 15 of the FCC Rules. These limits are designed to provide reasonable protection against harmful interference in a residential installation. This equipment generates, uses and can radiate radio frequency energy and, if not installed and used in accordance with the instructions, may cause harmful interference to radio communications. However, there is no guarantee that interference will not occur in a particular installation. If this equipment does cause harmful interference to radio or television reception, which can be determined by turning the equipment off and on, the user is encouraged to try to correct the interference by one or more of the following measures:

- Reorient or relocate the receiving antenna.
- Increase the separation between the equipment and receiver.
- Connect the equipment into an outlet on a circuit different from that to which the receiver is connected.
- Consult the dealer or an experienced radio/TV technician for help.

WARNING: Changes or modifications to this unit not expressly approved by the party responsible for compliance could void the user's authority to operate the equipment.

This Class B digital apparatus complies with Canadian ICES-003.

IMPORTANT SAFETY INSTRUCTIONS

Some of the following information may not apply to your particular product; however, as with any electronic product, precautions should be observed during handling and use.

- Read these instructions.
- Keep these instructions.
- Heed all warnings.
- Follow all instructions.
- Do not use this apparatus near water.
- Clean only with dry cloth.
- Do not block any ventilation openings. Install in accordance with the manufacturer's instructions.
- Do not install near any heat sources such as radiators, heat registers, stoves, or other apparatus (including amplifiers) that produce heat.
- Do not defeat the safety purpose of the polarized or grounding-type plug. A polarized plug has two blades with one wider than the other. A grounding type plug has two blades and a third grounding prong. The wide blade or the third prong is provided for your safety. If the provided plug does not fit into your outlet, consult an electrician for replacement of the obsolete outlet.
- Protect the power cord from being walked on or pinched particularly at plugs, convenience receptacles, and the point where they exit from the apparatus.
- Only use attachments / accessories specified by the manufacturer.
- Use only with the cart, stand, tripod, bracket, or table specified by the manufacturer, or sold with the apparatus. When a cart is used, use caution when moving the cart/apparatus combination to avoid injury from tip-over.



Portable Cart Warning

- Unplug this apparatus during lightning storms or when unused for long periods of time.
- Refer all servicing to qualified service personnel. Servicing is required when the apparatus has been damaged in any way, such as power-supply cord or plug is damaged, liquid has been spilled or objects have fallen into the apparatus, the apparatus has been exposed to rain or moisture, does not operate normally, or has been dropped.

ADDITIONAL SAFETY INFORMATION

- Apparatus shall not be exposed to dripping or splashing and no objects filled with liquids, such as vases, shall be placed on the apparatus.
- Always leave sufficient space around the product for ventilation. Do not place product in or on a bed, rug, in a bookcase or cabinet that may prevent air flow through vent openings.
- Do not place lighted candles, cigarettes, cigars, etc. on the product.
- Connect power cord only to AC power source as marked on the product.
- Care should be taken so that objects do not fall into the product.
- Do not attempt to disassemble the cabinet. This product does not contain customer serviceable components.
- Main plug is used as disconnect device and it should remain readily operable during intended use. In order to disconnect the apparatus from the mains completely, the mains plug should be disconnected from the mains socket outlet completely.

IF YOUR PRODUCT OPERATES ON BATTERIES, adhere to the following precautions:

- A. Do not mix old and new batteries.
- B. Do not mix alkaline, standard (carbon-zinc), or rechargeable (NiCd, NiMH, etc) batteries.
- C. Any battery may leak electrolyte or explode if disposed of in fire or an attempt is made to charge a battery not intended to be recharged.
- D. Discard leaky batteries immediately. Leaking batteries can cause skin burns or other personal injury. When discarding batteries, be sure to dispose of them in the proper manner, according to your state/provincial and local regulations.
- E. Battery shall not be exposed to excessive heat such as sunshine, fire or the like.

Important Information

Precautions

- This unit uses a laser to read the music on the disc. The laser mechanism corresponds to the cartridge and stylus of a record player. Although this product incorporates a laser pick-up lens, it is completely safe when operated according to directions.
- Discs rotate at high speed inside the player. Do not use damaged, warped, or cracked discs.
- Do not touch the pick-up lens which is located inside the disc compartment. To keep dust from collecting on the pick-up lens, do not leave the compartment door open for an extended period of time. If the lens becomes dirty, clean it with a soft brush, or use an air blower brush designed for camera lenses.

For your safety

The AC power plug is polarized (one blade is wider than the other) and only fits into AC power outlets one way. If the plug won't go into the outlet completely, turn the plug over and try to insert it the other way. If it still won't fit, contact a qualified electrician to change the outlet, or use a different one. Do not attempt to bypass this safety feature.

CAUTION: TO PREVENT ELECTRIC SHOCK, MATCH WIDE BLADE OF PLUG TO WIDE SLOT, FULLY INSERT.

Service information

This product should be serviced only by those specially trained in appropriate servicing techniques. For instructions on how to obtain service, refer to the warranty included in this Guide.

Getting Started

Unpacking the system

You should have the following:

- one main unit (with three speakers)
- one remote control
- one AM loop antenna
- user manual

Connections

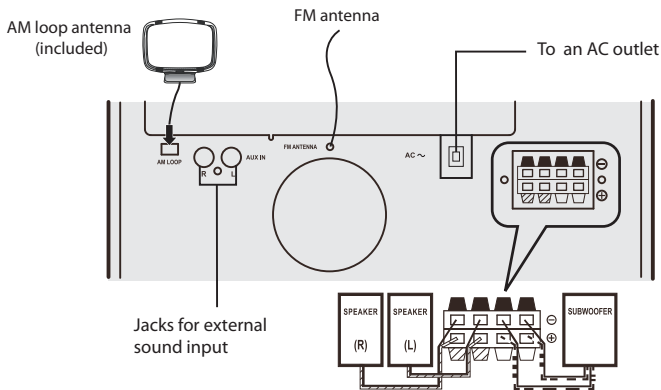
Back view

1. AM loop antenna jack
2. FM pigtail antenna
3. Speaker jacks

Using FM and AM antennas

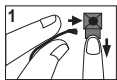
Before you use your audio system, you'll want to make sure both the FM and AM antennas are positioned properly. Uncoil the FM antenna at the back of the unit, making sure it is fully extended (you may even want to tape it to the wall behind the unit if possible, the higher the better).

You'll also need to connect the AM antenna loop to the back of the unit if you listen to AM stations. Rotate the AM loop antenna for better reception.



Connecting speakers

Each main speaker has a black/red wire, and subwoofer has two pairs of black/purple wires. When connecting the speakers, match the red/purple wires to the red/purple jacks and the black wires to the black jacks on the main unit.



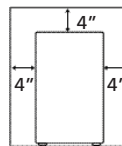
1 Push speaker terminal tab down to insert wire.



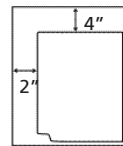
2 Release tab to lock wire in the terminal.

Installation

To ensure sufficient ventilation, keep the spacing shown below free from other surfaces:



Front view

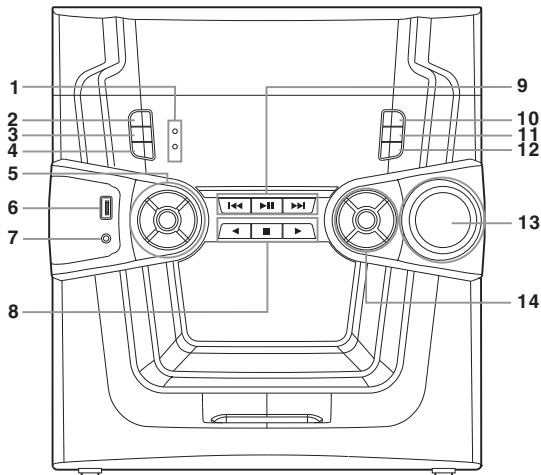


Side view

NOTE: Make sure the insulation is completely removed from the ends of the speaker wires at all connection points.

Unit Controls

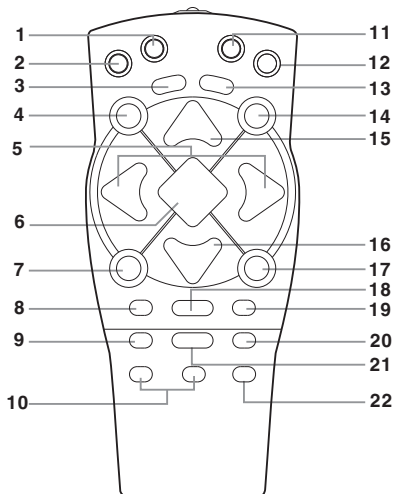
Main Unit



- 1. Power indicator** – Illuminates when the unit is in standby.
Bluetooth indicator
- 2. POWER** – To turn power on or off (STANDBY mode).
- 3. TIMER** – To turn the timer on/off; press and hold to enter the timer setting mode.
- 4. CLOCK** – To show time and enter clock setting mode.
- 5. AUTO PROG / BAND** – To auto-preset radio stations in FM mode; To toggle between AM and FM.
SOURCE – To select among CD player, TUNER, LINE IN and AUX sources.
PROG – To enter program mode for CD and tuner.
SLEEP – To select the time interval in minutes before the unit turns off.
- 6. USB jack** – For charging only.
- 7. LINE IN** – Ø3.5mm jack for external audio sources.
- 8. PRESET** ◀ / ▶ – To select the previous or next preset stations in tuner mode.
■ – To stop CD playback.
- 9. ◀◀ / ▶▶ / TUN +/-** – To tune radio frequency; to skip CD track; to fast search through current CD track.
▶|| / PAIRING – To play and pause CD playback; to pair the bluetooth.
- 10. ▲** – To open or close the disc tray.
- 11. DISC SKIP** – To skip to the next CD in the tray in CD mode.
- 12. DIMMER** – To adjust display brightness.
- 13. VOLUME** – To increase/decrease the volume.
- 14. SHUFFLE** – To turn on/off random playback.
PLAY MODE – To cycle between different play mode.
BASS – To turn BASS on or off.
EQ – To select the equalizer presets.

Remote Control

Remote control

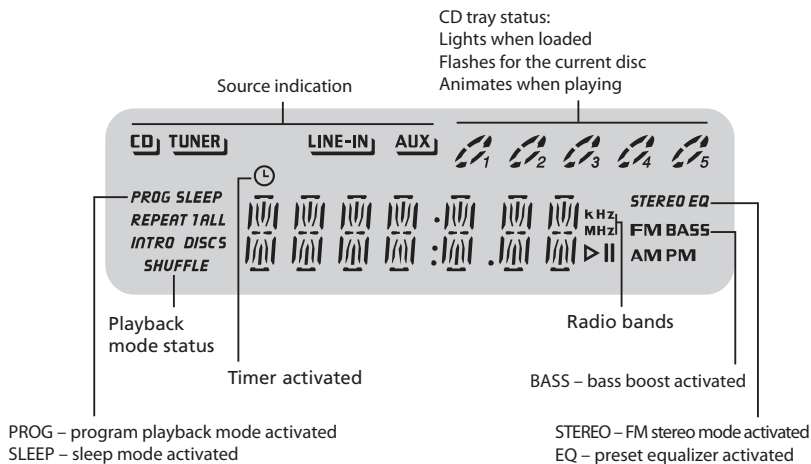


1. **TUNER** – To select the tuner and change the radio band.
2. **CD** – To select the CD player.
3. **INFO** – To select among disc display information.
4. **⏻** – To turn power on or off (STANDBY mode).
5. **PREV/⏮, NEXT/⏭** – To tune radio frequency; to skip CD track; to fast search through current CD track.
6. **▶|| / PAIRING** – To play and pause CD playback; to pair the bluetooth.
7. **OPEN/CLOSE** – To open and close CD disc tray.
8. **PLAY MODE** – To cycle between different play mode.
9. **FM ST.** – To switch between FM ST ON and FM ST OFF.
10. **◀ PRESET ▶** – To select previous / next tuner preset station.
11. **📶** – To select the bluetooth mode.
12. **LINE IN / AUX** – To select the external sound input from LINE IN jack or AUX IN jacks.
13. **BASS** – To turn BASS on or off.
14. **DIMMER** – To adjust display brightness.
15. **VOL+** – To increase the volume.
16. **VOL-** – To decrease the volume.
17. **STOP** – To stop playing CD.
18. **🔇** – To mute and restore audio output.
19. **SHUFFLE** – To turn on/off random playback.
20. **INTRO** – To turn INTRO mode on or off to play the first 10 seconds of each track.
21. **DISC SKIP** – To skip to next CD in CD mode.
22. **SLEEP** – To select the time interval in minutes before the unit turns off.

The remote control must be inserted with 2 "AAA" batteries prior to use.



Display



Display brightness

1. Press and hold DIMMER for more than 2 seconds.
2. While "DIM 1" is displayed, press DIMMER repeatedly to select the desired level (DIM 1-3).

Clock and Timer

Setting the clock

1. Press and hold CLOCK until the hour flashes on the display.
2. Press ◀ / ▶ to set the hour and then press CLOCK to shift to minute digits.
3. Press ◀ / ▶ to set the minute.
4. Press CLOCK to save settings.

- When system is ON, you can tap CLOCK to display the current time – it will display time for about 2 seconds.
- When the system is OFF (standby), the display will turn off to save power.



Activating the timer

Tap TIMER to turn on/off the timer. The timer is active when the clock icon ☀ is lit.

Sleep mode

You can select the time interval in minutes before the unit turns off automatically.

1. Press SLEEP to select among OFF, 120, 90, 60, 45, 30, 15, 10 and 5 minutes. The sleep icon lights on the display when sleep mode is activated.
 2. When sleep is activated, press SLEEP once to view remaining sleep time. Press SLEEP again when the remaining sleep time is displayed to change the sleep time.
- Sleep is automatically de-activated when the unit is turned off.

Setting the timer

- For RADIO timer, tune in to a desired station.
 - For CD timer, insert a CD into the unit.
1. Press and hold TIMER until ON (timer on time) appears with the hour flashing.
 2. For setting time, press ◀ / ▶ to set the hour and then press TIMER to shift to the minute digits.
 3. Press ◀ / ▶ to set the minute.
 4. Press TIMER to change to OFF (timer off time) with hour flashing. Repeat steps 2 & 3 for timer off time setting.
 5. Press TIMER to select the source. Press ◀ / ▶ to select among TUNER, CD or BT (Bluetooth).
 6. Press TIMER to set the volume. Adjust the timer volume by pressing ◀ / ▶ to select the desired volume level.
- Note:** To avoid startling you or other individuals in your home, this product will not turn on at a volume higher than 15.
7. Press TIMER to save settings.

Sound Features

Bass boost

Press BASS to turn on/off boosting the bass frequency. The BASS icon lights on the display when it is activated.

Muting audio

Press ⏻ on the remote control to cut or restore the sound.

Using preset equalizer curves

Press EQ on the unit to select among FLAT, ROCK, POP, JAZZ, CLASSIC and CUSTOM. The display shows your selection briefly.

Creating a Custom Curve

1. Press EQ on the unit to select the CUSTOM mode.
2. While CUSTOM is displayed, press ◀ / ▶ to cycle among the displayed BASS and TREB range levels.
3. While BASS or TREB is displayed, adjust the volume to set the associated gain between -10 - +10.
4. Press EQ to exit.

CD Playback



This unit is compatible with CD-RW/CD-R discs for playback.

Notes on CD-R/RW Disc:

- Do not affix any type of labels to either side (recordable or labeled side) of a CD-R/RW disc as this may result in the unit malfunctioning.
- To avoid damages to the CD-R/RW disc, do not open the disc compartment door while the disc is being read.
- Do not load an unrecorded CD-R/RW disc into the unit. This may take a longer time to read the disc.
- Playback capability for CD-RW discs may vary due to variations in the quality of the CD-RW disc and the recorder used to create the disc.

Please take care when loading or unloading discs in the disc drawer. Read below for details.



- Remove all discs from the disc drawer before moving or transporting the unit.
- Do not put discs in the trays of the disc drawer when they are still moving.
- Do not push or force the rotation of the disc trays. Always use the DISC SKIP button.
- Do not put discs in any unexposed disc trays. Only put disc in tray that is fully exposed.
- If an error occurs and the disc drawer does not close, empty all disc trays and try again.

Loading discs

1. Press SOURCE repeatedly to select CD mode.
2. Press OPEN/CLOSE or to open the drawer.
3. Insert up to five discs with label face up. (Press DISC SKIP to rotate the disc carrier.)
4. Press OPEN/CLOSE or to close the drawer. Loaded disc position icon lights.

Selecting discs

Press DISC SKIP to skip discs.

Playing discs

- Press to begin or pause playback, and press to stop playback.
- Press / to select a specific track.

Searching through a CD

Press and hold / to search through a CD while it is playing.

Shuffling play order

Press SHUFFLE to turn on/off the playing of tracks in random order.

Sampling tracks

Press INTRO to play the first 10 seconds of each track on the current disc, all discs in the tray, or turn INTRO mode off by pressing INTRO again.

Play mode

Press PLAY MODE to cycle between Repeat 1, Repeat 1 Disc, Repeat All Discs, 1 Disc, and All Discs.

- Press INFO repeatedly to view elapsed track time, track remain time and disc remain time during playback.

CD Program

You can program the CD player to play up to any 32 tracks on the CDs in the tray.

1. While the CD player is stopped, press PROGRAM to enter program mode. The system displays the next available program number: "- P 01," with "- -" flashing, prompts you for the first track in the program list.
2. Press / to select a track (Press DISC SKIP to select a track from a different disc).
3. Press PROGRAM to assign the selected track to the program number. You are prompted for the next track in the program list. (In CD program mode, PROG icon will be lit.)

Playing a program List

While in PROGRAM mode, press .

Displaying the program List

1. While the CD player is stopped, press PROGRAM to enter PROGRAM mode.
2. Press PROGRAM repeatedly to list each track assignment in the program list.

Deleting program List

While in PROGRAM mode, press and hold for 3 seconds. The unit displays the message "CLEAR".

Radio

Press SOURCE or TUNER on the remote control to select TUNER.

Selecting tuner band

Press AUTO PROG / BAND on the unit or TUNER on the remote control to select between AM and FM radio bands.

Tuning to a station

Press ◀▶ to select frequencies. Press and hold to start auto searching for the next available station.

Presetting stations

Manually setting presets

1. Press ◀▶ to access the desired frequency.
2. Press PROG button. The most recently accessed program location will be displayed.
3. If a different program location is preferred, press ◀▶ to select the desired preset number (1-32).
4. Press PROGRAM to store the selected frequency at that preset.

Auto preset programming (FM only)

Press and hold AUTO PROG / BAND for 2 seconds to scan stations in the FM band. The stations will then be stored as preset channels. A maximum of 32 stations can be stored.

Beware of your preset channels being erased accidentally because the scanning and storing process is automatic upon pressing and holding the button for 2 seconds.

You can stop the automatic scan by pressing TUN+/TUN - button, but the erased stations cannot be recovered.

Using presets


Press ◀PRESET▶ to access the previous or next preset station. The display first shows the preset program number and after a few seconds, the frequency will be displayed. (e.g. P 01 is preset 1)

Suppressing stereo signal

Press FM ST. to select between ST ON and ST OFF for stereo FM stations.

Bluetooth Pairing

Before Bluetooth pairing, you should turn on the Bluetooth function of your other device (such as mobile phone with Bluetooth function) and select RS39655B.

1. Press SOURCE repeatedly on the unit or press the  on the remote control to select BT (Bluetooth) mode.
2. The Bluetooth indicator blinks at slow speed and it auto searches for the last paired Bluetooth device in memory.
3. Once it enters the pairing status, the Bluetooth indicator will blink at high speed.
4. Press PAIRING to start pairing.
 - If the Bluetooth pairing is successful, the Bluetooth indicator will illuminate.
 - If the Bluetooth pairing is not fixed, the Bluetooth indicator will blink at slow speed. Please try pairing again.

Enjoy the music through Bluetooth

- Press ▶|| to begin or pause playback, and press ■ to stop playback.
- Press ◀▶ to select a specific track.
- Press and hold ◀▶ to start moving backward/forward at high speed.

LINE IN/ AUX IN

Play external sound through the speaker system

Press SOURCE on the unit repeatedly to select LINE IN or AUX mode.

Or press LINE IN/AUX on the remote control to change to LINE IN/AUX mode from CD, TUNER or BT mode; press LINE IN again to change to AUX mode.

Suggest using Ø3.5mm LINE IN jack for mp3 player and AUX IN jacks for auxiliary equipment such as DVD, VCR or PC.



Troubleshooting Tips

System will not turn on

- Check power cord for a secure connection.
- Unplug the unit for a moment, and then plug into power source again.
- Check the outlet by plugging in another device.

No sound

- Increase the volume setting.
- Check connection to speakers.
- Check that you have selected the appropriate function: CD, TUNER, LINE IN/AUX or BT.
- Make sure mute is off.
- Make sure headphones are not plugged in.

Poor radio reception

- Check antenna connection.
- Move antenna.
- Turn off nearby electrical appliances, such as hair dryer, vacuum cleaner, microwave, fluorescent lights.

CD does not play

- Check that CD is in the tray.
- Check that CD label is facing up.
- Check that PAUSE mode is not on.
- Check that CD function is selected.
- Use CD lens cleaner.
- Clean the disc.
- Try another CD.

CD sound skips

- Clean the disc.
- Check disc for warping, scratches, or other damage.
- Check if something is causing the system to vibrate. If so, move the system.
- Make sure the speakers are at least 3 feet away or on a different surface from the main unit.

CD button will not respond, or does not change discs when you press DISC SKIP

- Switch to another function (TUNER, LINE IN/AUX or BT) and then back to CD.

Remote control does not work

- Check that the batteries are properly installed.
- Replace weak batteries.
- Check the system is plugged into power source.
- Point the remote directly at the system's front panel.
- Move closer to the system.
- Remove any obstacles between the remote and the system.

Additional Information

Disconnect the audio system from the power source before performing any maintenance.

Cleaning

Clean the exterior of the system using a soft dust cloth.

CD Player

CAUTION! This system operates with a laser. It must be opened by only a qualified technician.

Handling CDs

- Do not touch the signal surfaces. Hold CDs by the edges, or by one edge and the hole. Do not affix labels or adhesive tapes to the label surfaces. Do not scratch or damage the label. CDs rotate at high speeds inside the player. Do not use damaged (cracked or warped) CDs.

Cleaning CDs

- Dirty CDs can cause poor sound quality. Always keep CDs clean by wiping them gently with a soft cloth from the inner edge toward the outer perimeter.
- If a CD becomes dirty, wet a soft cloth in water, wring it out well, wipe the dirt away gently, and then remove any water drops with a dry cloth.
- Do not use record cleaning sprays or antistatic agents on CDs. Also, never clean CDs with benzene, thinner, or other volatile solvents which may cause damage to disc surface.

CD Lens Care

When your CD lens gets dirty it can also cause the system to output poor sound quality. To clean the lens you will need to purchase a CD lens cleaner which can maintain the output sound quality of your system. For instructions on cleaning the CD lens, refer to the ones accompanying the lens cleaner.

Technical specifications

Power supply: 120V~60Hz

The descriptions and characteristics given in this document are given as a general indication and not as a guarantee. In order to provide the highest quality product possible, we reserve the right to make any improvement or modification without prior notice. The English version serves as the final reference on all products and operational details should any discrepancies arise in other languages.