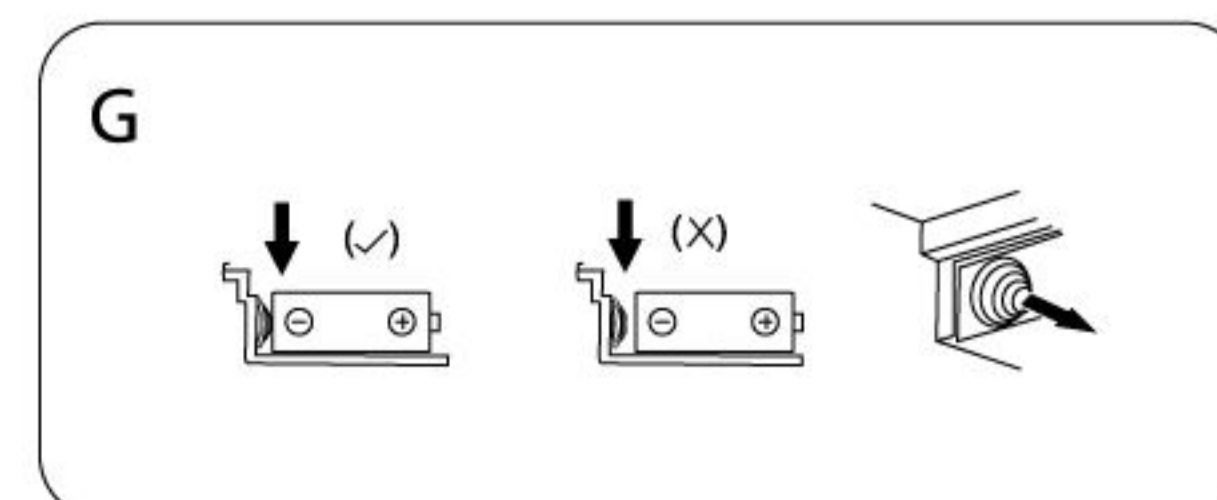
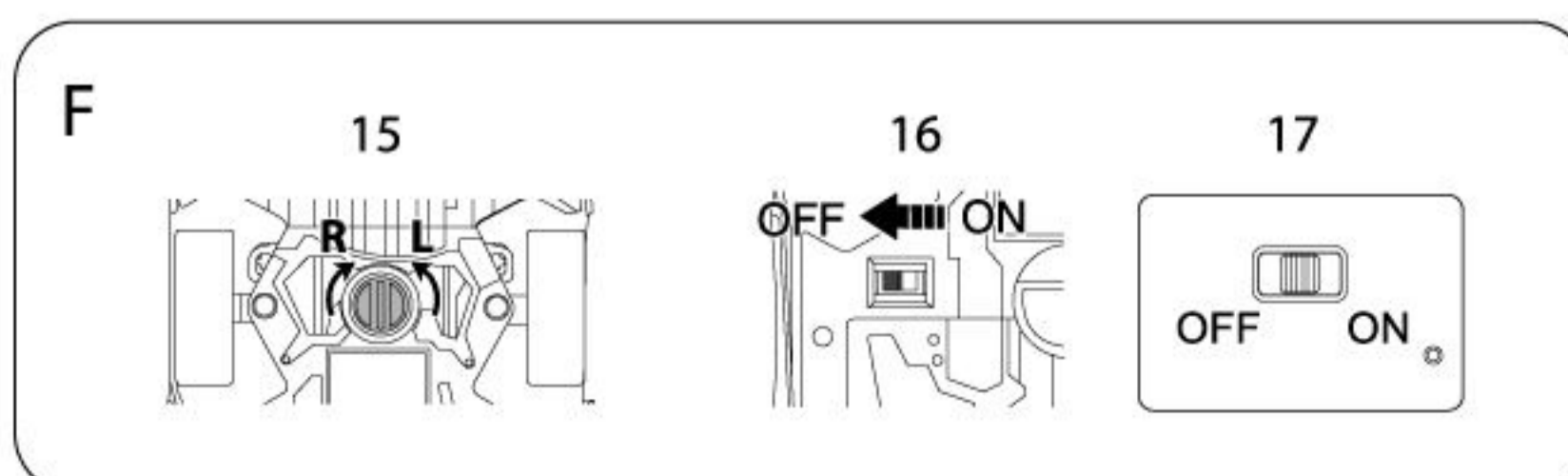
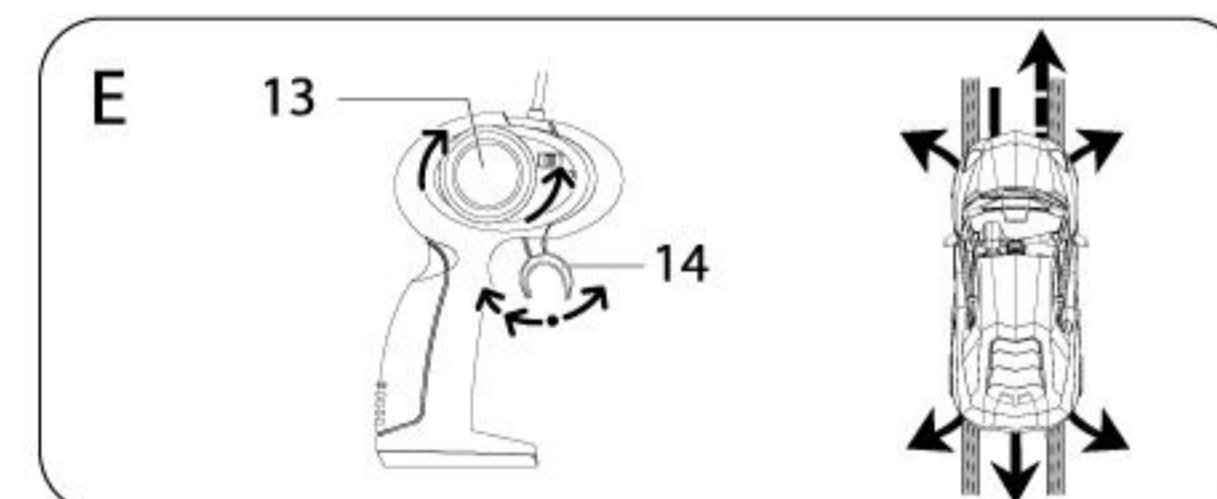
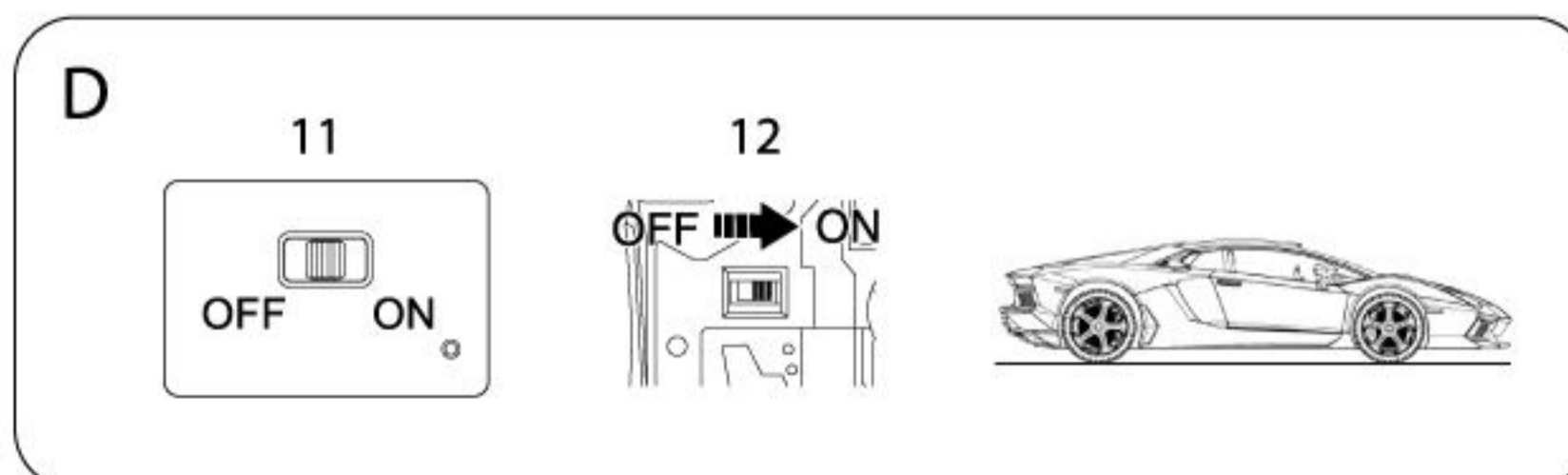
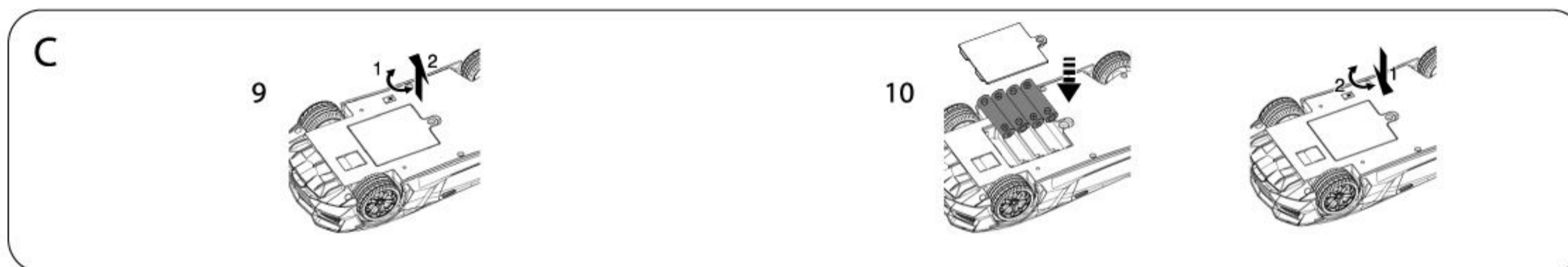
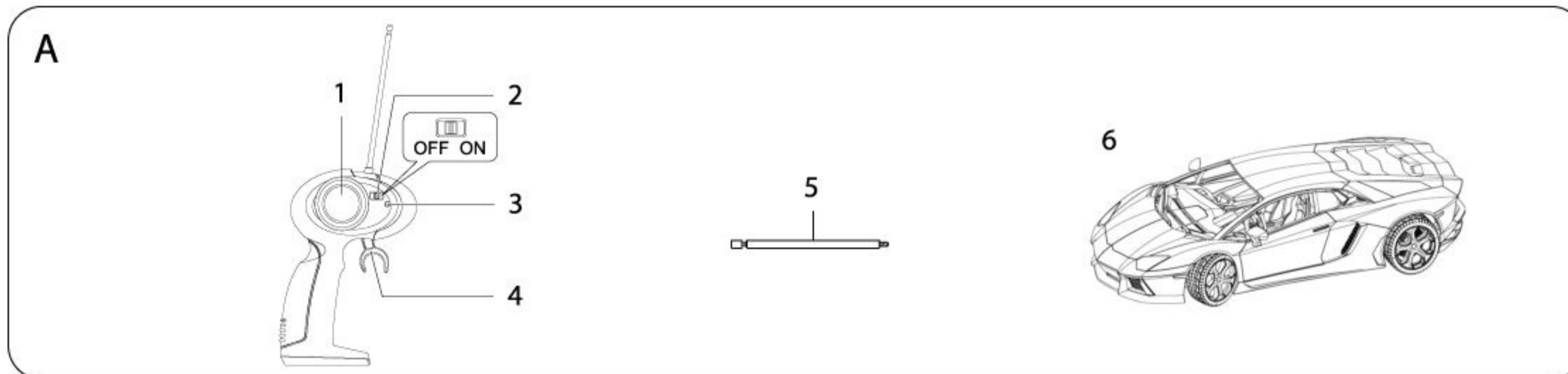




1:16 Real Drive Licensed R/C Car User Manual

Suitable Type: LC258000

Instruction



EN



Contents and overview

Functions and Specification:

- Full Function: Forward, backward, turn left, turn right, stop;
- Frequencies: 27MHz, 40MHz;
- Batteries: 4 x "AA" batteries for racer and 2 x "AA" for transmitter; (Batteries not included)
- Speed: Low speed at 6 Km/h, TURBO at 8 Km/h;
- Operating range: Over 12 m.

Components: (Fig. A)

1. Steering Wheel
2. Power Switch OFF / ON
3. Power LED Lamp
4. Throttle
5. Antenna
6. R/C Toy Racer



Assembly instructions

Install And Remove Batteries:

1. Install batteries to transmitter: (Fig. B)
 - a) Use a cross-screwdriver to unscrew screws on transmitter, open battery compartment cover, and insert two "AA" batteries. (Fig. 7)
 - b) Reinsert battery compartment and screw down. (Fig. 8)
2. Install batteries to racer: (Fig. C)
 - a) Turn the toy racer upside-down and open battery door; (Fig. 9)
 - b) Insert four "AA" batteries at correct polarities, close battery door and turn door knob to lock back. (Fig. 10)

Methods To Operate:

- 1) Switch power button to "ON" and place R/C Racer on the ground. (Fig. D)
 11. Transmitter Power Switch
 12. Toy Racer Power Switch
- 2) Push Forward / Backward Throttle for running / accelerating forward with front lights; push backward for running backward with rear lights on. Move Left / Right Steering Wheel for running left / right. (Fig. E)
 13. Turning Right, while turning the Steering Wheel Right; Turning Left, while turning the Steering Wheel Left;
 14. Running Forward, while pushing the Throttle Backward; Running Backward, while pushing the Throttle Forward; Running Forward with Accelerating, while pushing the Throttle Pole Forward to the end.
- 3) To adjust the alignment of the car, twist trimmer on the chassis. ("R" for right, "L" for left). (Fig. 15)
- 4) When finish playing, switch to "OFF" position.
 16. Car Power Switch
 17. Transmitter Power Switch
- 5) Remove batteries from racer and transmitter store separately.

To Consumers:

- 1) When playing the car indoor, avoid damaging furniture or glass surface;
- 2) To avoid accidents happen, please do not run the car in public. Only use this product in safe outdoor environment;
- 3) When thundering while running the car outdoor, please stop immediately;
- 4) Do not run the car on puddles or sand to avoid circuit failure;
- 5) Do not fold the antenna incorrectly. Broken antenna may have sharp edges and cause injury;
- 6) Do not pull the wires from the car unit. Broken wire may result function failure.
- 7) When the wheels are revolving, do not put your hand close to it, nor put it on the hair or clothing to avoid injury;
- 8) Do not run the car toward others;
- 9) Should not drop or bump the car;
- 10) Store the car in cool places and away from fire;
- 11) This product is composed of complicated electronic devices and original parts, please do not attempt to disassemble or alter this product;

- 12) When batteries are low in power, the car speed will slow down or out of control. Please change the batteries;
- 13) When the car is out of control, it may be due to battery compartment spring distortion. Adjust spring to proper position according to diagram; (Fig. G)
- 14) If the car is under pressure for a long time, the rear twist board may be deformed. Hold the rear motor and bend it to the opposite direction until the board is flat again;
- 15) Do not shake the box vigorously to avoid drop out of controller;
- 16) To enable longer life of the batteries, please follow below operations:
 - * Remove batteries when not in use;
 - * Do not mix old and new batteries; otherwise, the car runs slowly and battery life will die very soon.
- 17) The flexible antenna exposed outside R/C racer is for signal receiving. Please do not insert into electrical outlet.

Frequency And Environment:

- 1) When there is another car of similar radio frequency operating nearby, the transmitter may not function.
- 2) When interfered by other radio-waves, the transmitter may not function. Try again at other location or time.
- 3) This product is designed to run on cement and sand polished surface. If run on wax polished surface, the car cannot move straight due to poor contact between the tires and road surface, and may spin 180° or pivot.

Note:

This equipment has been tested and found to comply with the limits for a Class B digital device, pursuant to Part 15 of the FCC Rules. These limits are designed to provide reasonable protection against harmful interference in a residential installation. This equipment generates, uses and can radiate radio frequency energy and, if not installed and used in accordance with the instructions, may cause harmful interference to radio communications.

However, there is no guarantee that interference will not occur in a particular installation. If this equipment does cause harmful interference to radio or television reception, which can be determined by turning the equipment off and on, the user is encouraged to try to correct the interference by one or more of the following measures:

- * Reorient or relocate the receiving antenna.
- * Increase the separation between the equipment and receiver.
- * Connect the equipment into an outlet on a circuit different from that to which the receiver is connected.
- * Consult the dealer or an experienced radio / TV technician for help.

This device complies with part 15 of the FCC Rules. Operation is subject to the following two conditions:

- 1) This device may not cause harmful interference; and
- 2) This device must accept any interference received, including interference that may cause undesired operation.

Changes of modifications not expressly approved by the party responsible for compliance could void the user's authority to operate the equipment.



Caution & Warning

- Not-rechargeable batteries are not to be recharged;
- Rechargeable batteries are to be removed from the toy before being charged;
- Rechargeable batteries are only to be charged under adult supervision;
- Different types of batteries or new and used batteries are not to be mixed;
- Only batteries of the same or equivalent type as recommended are to be used;
- Batteries are to be inserted with the correct polarity;
- Exhausted batteries are to be removed from the toy;
- The supply terminals are not to be short-circuited;
- Do not mix old and new batteries;
- Do not mix alkaline batteries, standard (carbon-zinc) or rechargeable (Nickel-cadmium) batteries.



WARNING:

CHOKING HAZARD- Toy contains small parts.
Not for children under 3 yrs.

Guangdong Alpha Animation and Culture Co., Ltd

Room 510-511, 5/F, Tower B, New Mandarin Plaza,
14 Science Museum Road, Tsim Sha Tsui, Kowloon, HK
TEL: +852 2305 4882 E-mail: auldey_imd@auldey.cn
Website: www.auldeytoys.com



Suitable for aged 8 years (97 months) above

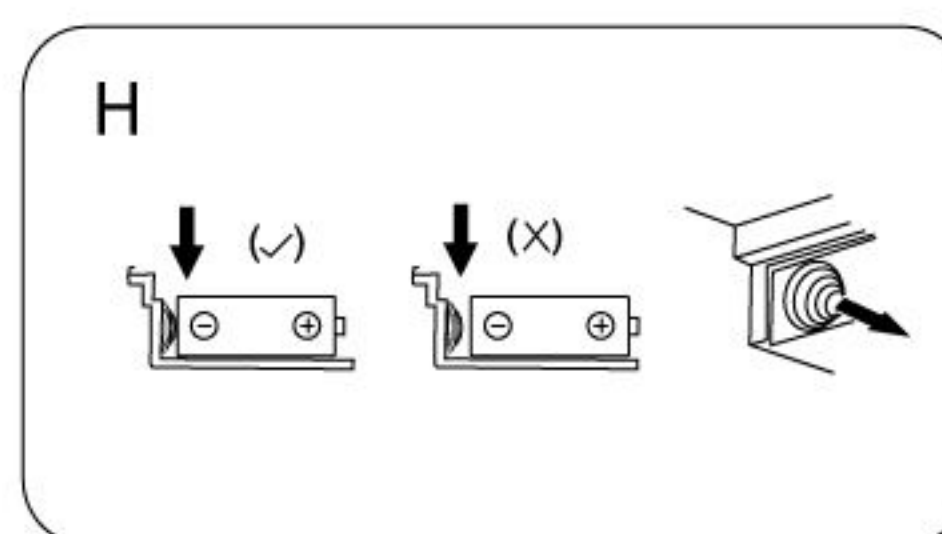
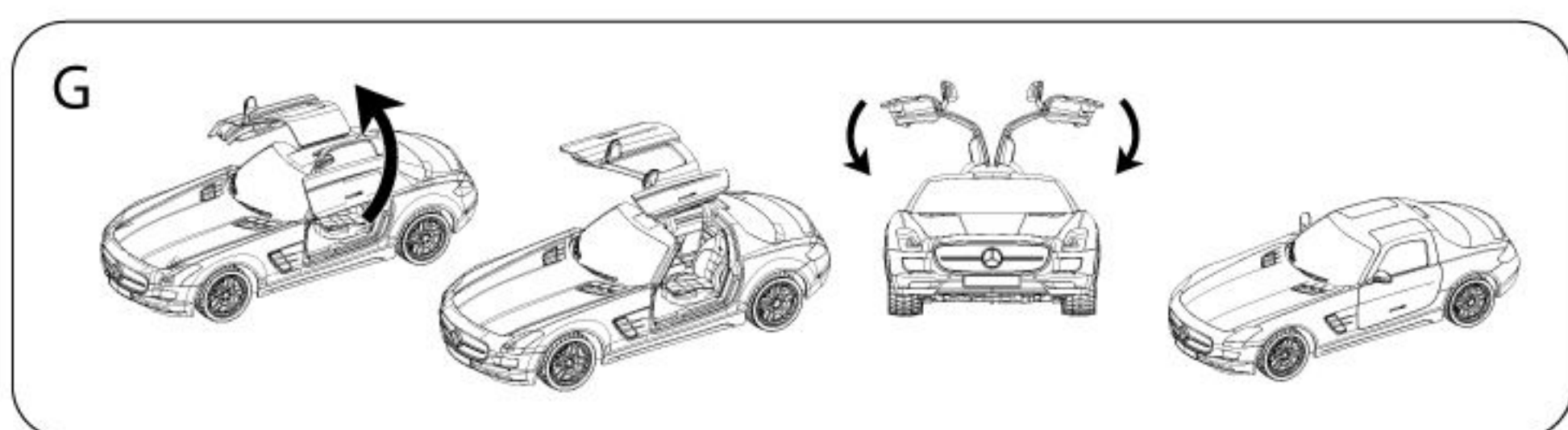
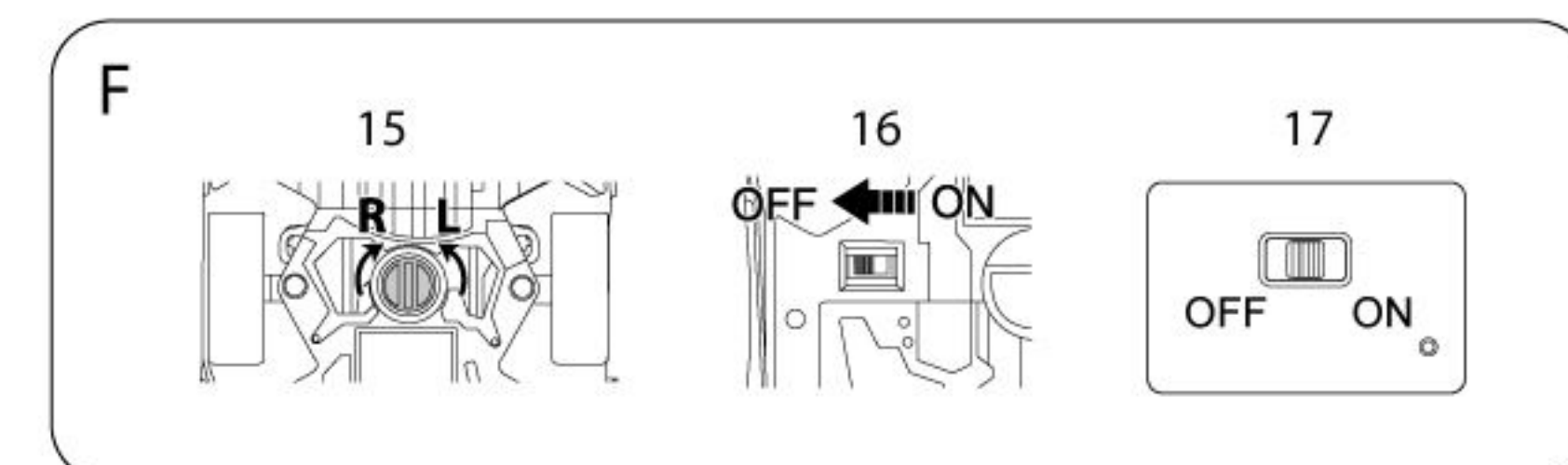
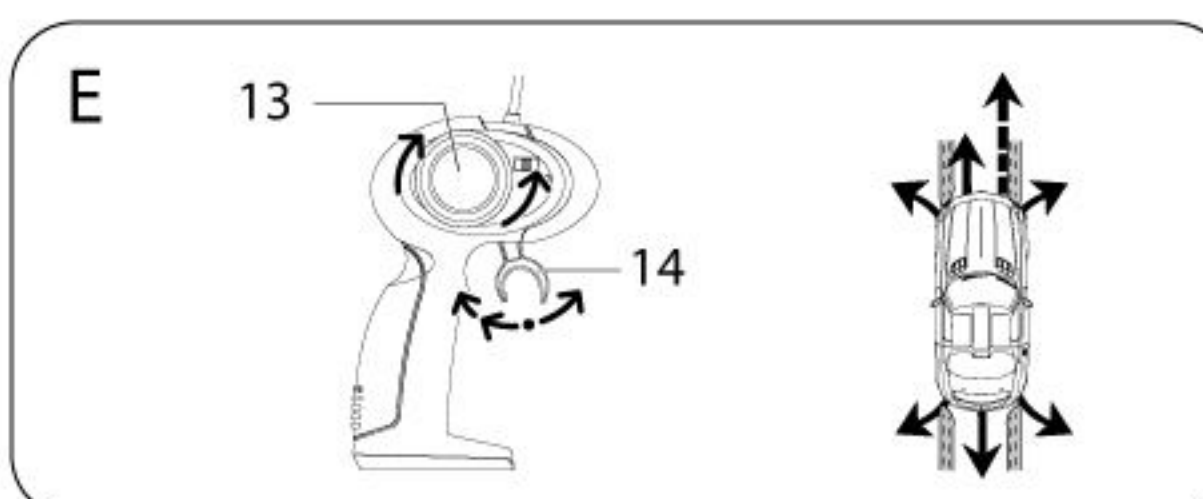
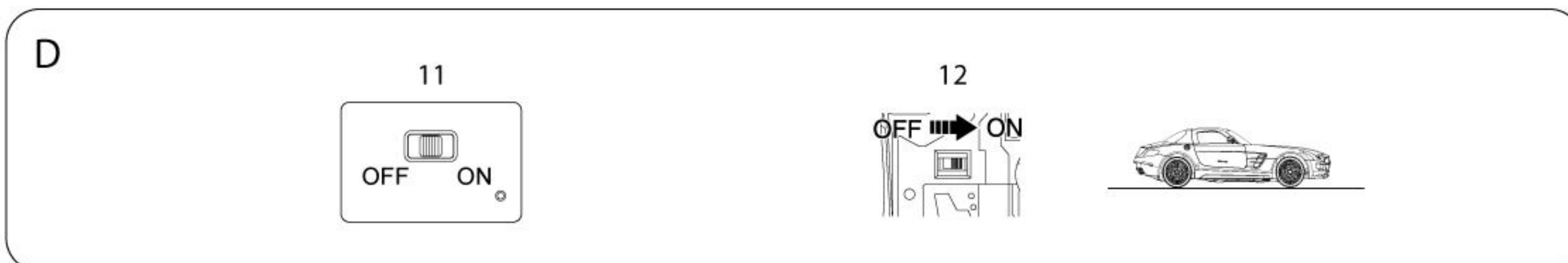
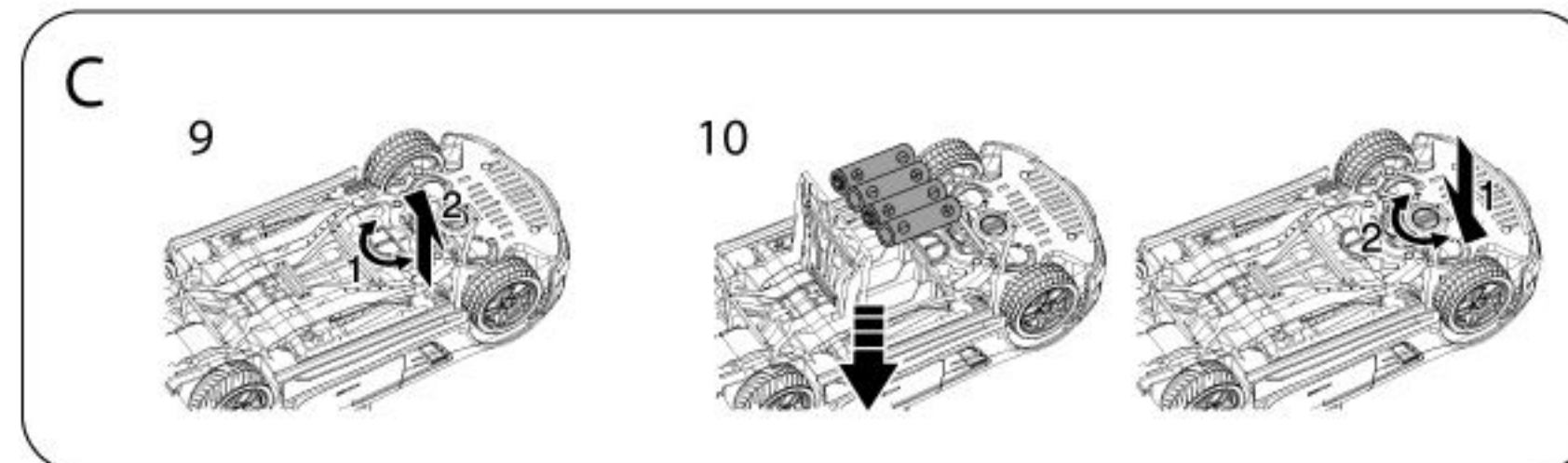
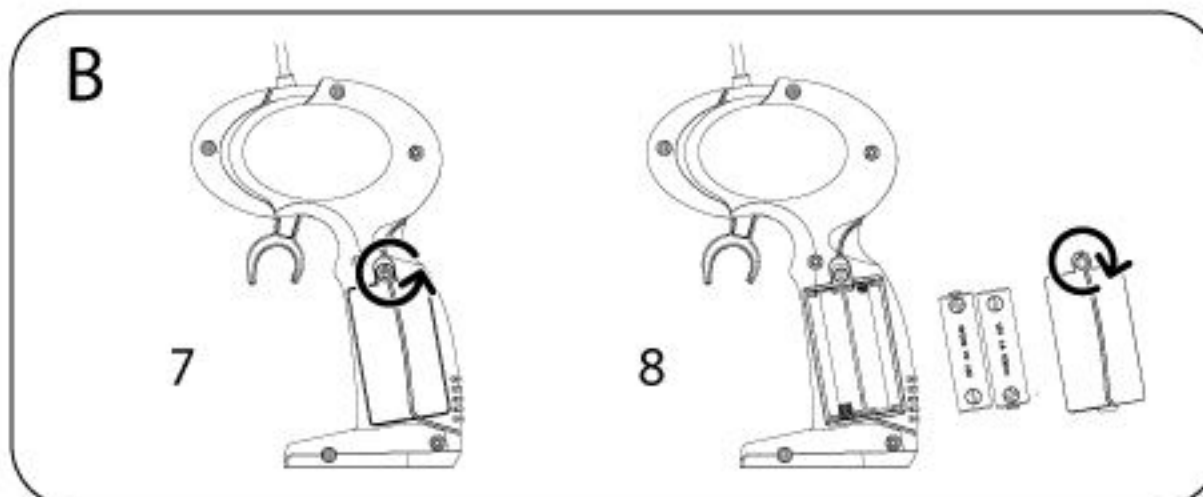
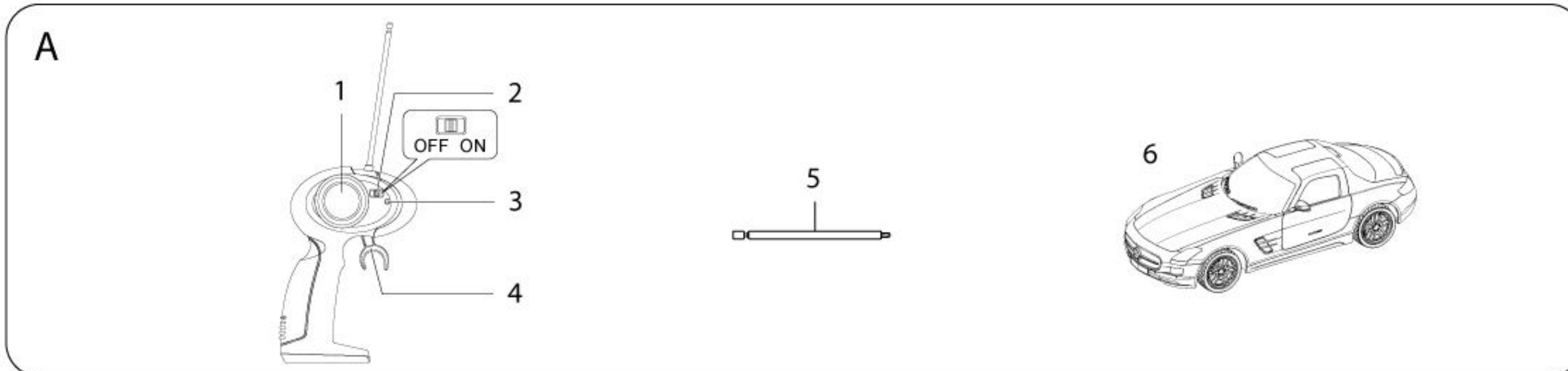




1:16 Real Drive Licensed R/C Car User Manual

Suitable Type: LC258000-SLS

Instruction



EN



Contents and overview

Functions and Specification:

- Full Function: Forward, backward, turn left, turn right, stop;
- Frequencies: 27MHz, 40MHz;
- Batteries: 4 x "AA" batteries for racer and 2 x "AA" for transmitter; (Batteries not included)
- Speed: Low speed at 7Km/h, TURBO at 11Km/h;
- Operating range: Over 10m.

Components: (Fig. A)

1. Steering Wheel
2. Power Switch OFF / ON
3. Power LED Lamp
4. Throttle
5. Antenna
6. R/C Toy Racer



Assembly instructions

Install And Remove Batteries:

1. Install batteries to transmitter: (Fig. B)
 - a) Use a cross-screwdriver to unscrew screws on transmitter, open battery compartment cover, and insert two "AA" batteries. (Fig. 7)
 - b) Reinsert battery compartment and screw down. (Fig. 8)
2. Install batteries to racer: (Fig. C)
 - a) Turn the toy racer upside-down and open battery door; (Fig. 9)
 - b) Insert four "AA" batteries at correct polarities, close battery door and turn door knob to lock back. (Fig. 10)

Methods To Operate:

- 1) Switch power button to "ON" and place R/C Racer on the ground. (Fig. D)
 11. Transmitter Power Switch
 12. Toy Racer Power Switch
- 2) Push Forward / Backward Throttle for running / accelerating forward with front lights; push backward for running backward with rear lights on. Move Left / Right Steering Wheel for running left / right. (Fig. E)
- 3) Turning Right, while turning the Steering Wheel Right; Turning Left, while turning the Steering Wheel Left;
- 4) Running Forward, while pushing the Throttle Backward; Running Backward, while pushing the Throttle Forward; Running Forward with Accelerating, while pushing the Throttle Pole Forward to the end.
- 5) To adjust the alignment of the car, twist trimmer on chassis. ("R" for right, "L" for left). (Fig. 15)
- 6) When finish playing ,switch to "OFF" position.
 16. Car Power Switch
 17. Transmitter Power Switch
- 5) Remove batteries from racer and transmitter store separately.

Gullwing Doors Opening & Closing (Fig. G)

- 1) Doors Open: Pull the doors upward by following the arrow to open the doors.
- 2) Doors Closed: Push the doors downward by following the arrow to close the doors.

To Consumers:

- 1) When playing the car indoor, avoid damaging furniture or glass surface;
- 2) To avoid accidents happen, please do not run the car in public. Only use this product in safe outdoor environment;
- 3) When thundering while running the car outdoor, please stop immediately;
- 4) Do not run the car on puddles or sand to avoid circuit failure;
- 5) Do not fold the antenna incorrectly. Broken antenna may have sharp edges and cause injury;
- 6) Do not pull the wires from the car unit. Broken wire may result function failure.
- 7) When the wheels are revolving, do not put your hand close to it, nor put it on the hair or clothing to avoid injury;
- 8) Do not run the car toward others;
- 9) Should not drop or bump the car;
- 10) Store the car in cool places and away from fire;
- 11) This product is composed of complicated electronic devices and original parts, please do not attempt to disassemble or alter this product;

- 12) When batteries are low in power, the car speed will slow down or out of control. Please change the batteries;
- 13) When the car is out of control, it may be due to battery compartment spring distortion. Adjust spring to proper position according to diagram; (Fig. H)
- 14) If the car is under pressure for a long time, the rear twist board may be deformed. Hold the rear motor and bend it to the opposite direction until the board is flat again;
- 15) Do not shake the box vigorously to avoid drop out of controller;
- 16) To enable longer life of the batteries, please follow below operations:
 - * Remove batteries when not in use;
 - * Do not mix old and new batteries; otherwise, the car runs slowly and battery life will die very soon.
- 17) The flexible antenna exposed outside R/C racer is for signal receiving. Please do not insert into electrical outlet.

Frequency And Environment:

- 1) When there is another car of similar radio frequency operating nearby, the transmitter may not function.
- 2) When interfered by other radio-waves, the transmitter may not function. Try again at other location or time.
- 3) This product is designed to run on cement and sand polished surface. If run on wax polished surface, the car cannot move straight due to poor contact between the tires and road surface, and may spin 180° or pivot.

Note:

This equipment has been tested and found to comply with the limits for a Class B digital device, pursuant to Part 15 of the FCC Rules. These limits are designed to provide reasonable protection against harmful interference in a residential installation. This equipment generates, uses and can radiate radio frequency energy and, if not installed and used in accordance with the instructions, may cause harmful interference to radio communications.

However, there is no guarantee that interference will not occur in a particular installation. If this equipment does cause harmful interference to radio or television reception, which can be determined by turning the equipment off and on, the user is encouraged to try to correct the interference by one or more of the following measures:

- * Reorient or relocate the receiving antenna.
- * Increase the separation between the equipment and receiver.
- * Connect the equipment into an outlet on a circuit different from that to which the receiver is connected.
- * Consult the dealer or an experienced radio / TV technician for help.

This device complies with part 15 of the FCC Rules. Operation is subject to the following two conditions:

- 1) This device may not cause harmful interference; and
- 2) This device must accept any interference received, including interference that may cause undesired operation.

Changes of modifications not expressly approved by the party responsible for compliance could void the user's authority to operate the equipment.



Caution & Warning

- Not-rechargeable batteries are not to be recharged;
- Rechargeable batteries are to be removed from the toy before being charged;
- Rechargeable batteries are only to be charged under adult supervision;
- Different types of batteries or new and used batteries are not to be mixed;
- Only batteries of the same or equivalent type as recommended are to be used;
- Batteries are to be inserted with the correct polarity;
- Exhausted batteries are to be removed from the toy;
- The supply terminals are not to be short-circuited;
- Do not mix old and new batteries;
- Do not mix alkaline batteries, standard (carbon-zinc) or rechargeable (Nickel-cadmium) batteries.



WARNING:

CHOKING HAZARD- Toy contains small parts.
Not for children under 3 yrs.

Guangdong Alpha Animation and Culture Co., Ltd

Room 510-511, 5/F, Tower B, New Mandarin Plaza,
14 Science Museum Road, Tsim Sha Tsui, Kowloon, HK
TEL: +852 2305 4882 E-mail: auldey_imd@auldey.cn
Website: www.auldeytoys.com



Suitable for aged 8 years (97 months) above

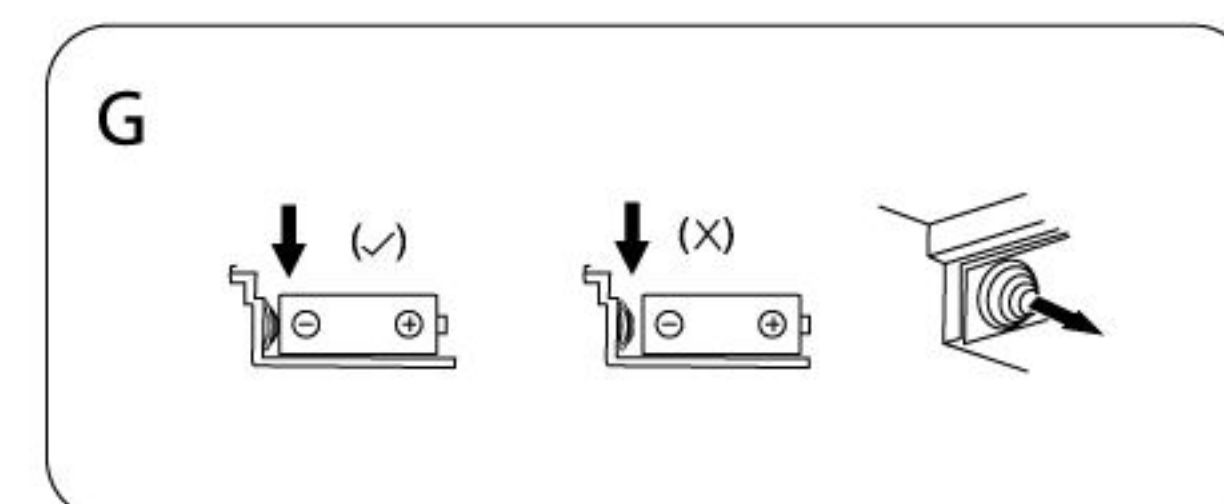
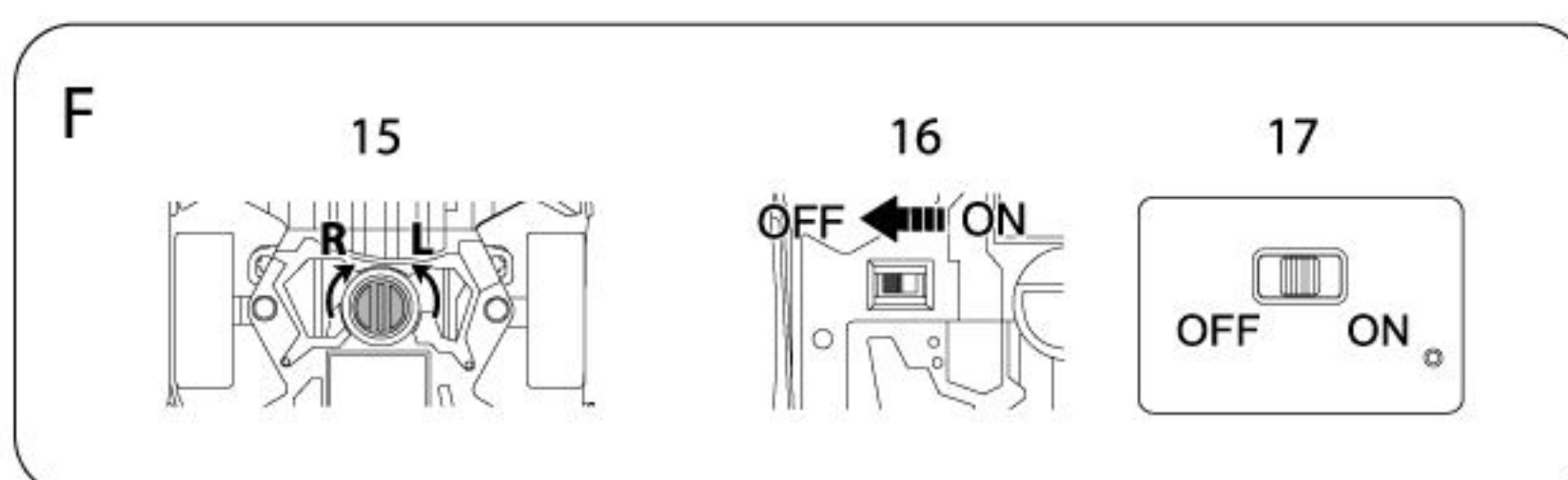
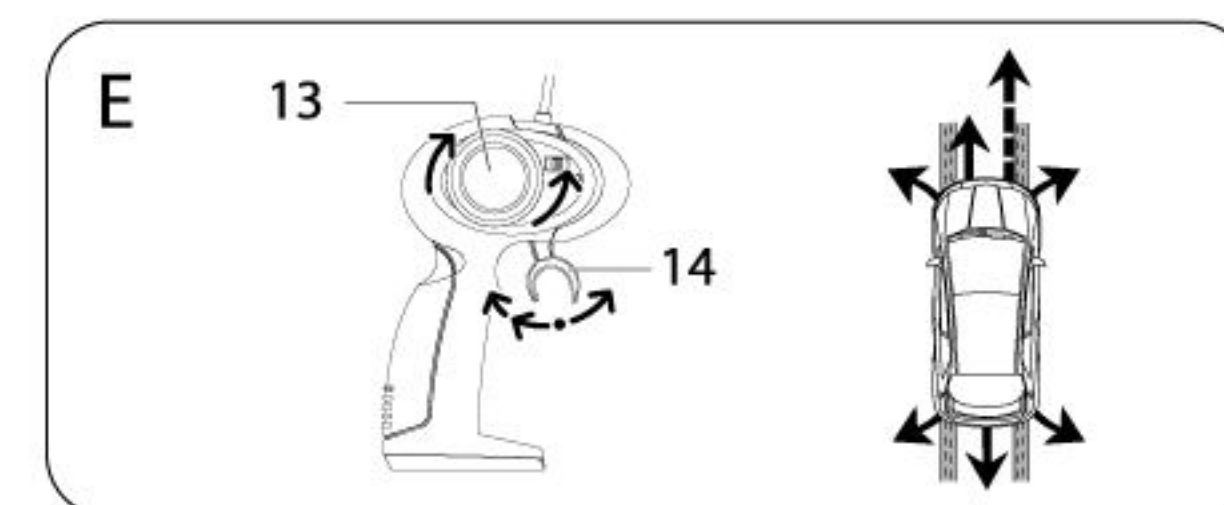
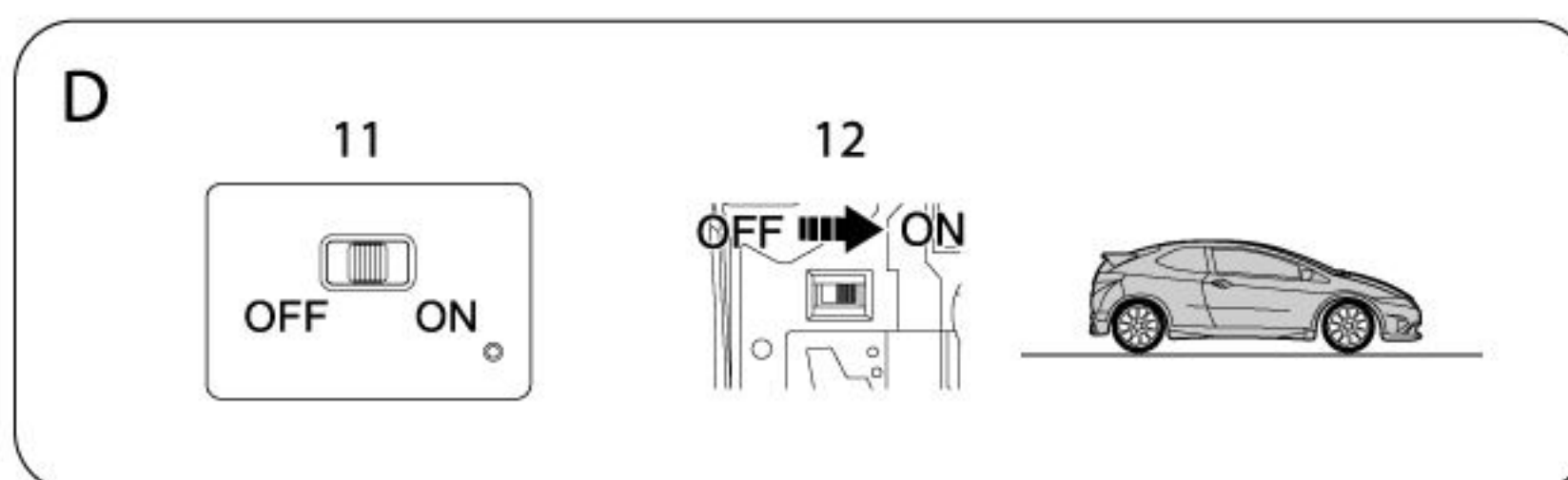
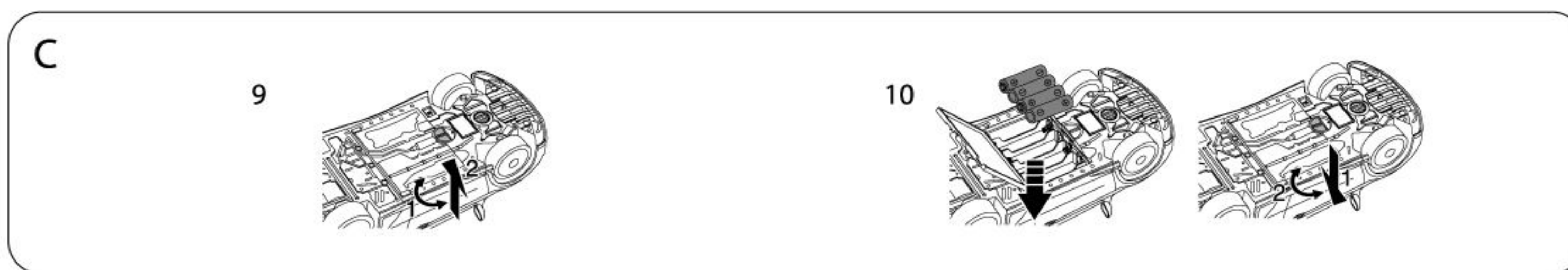
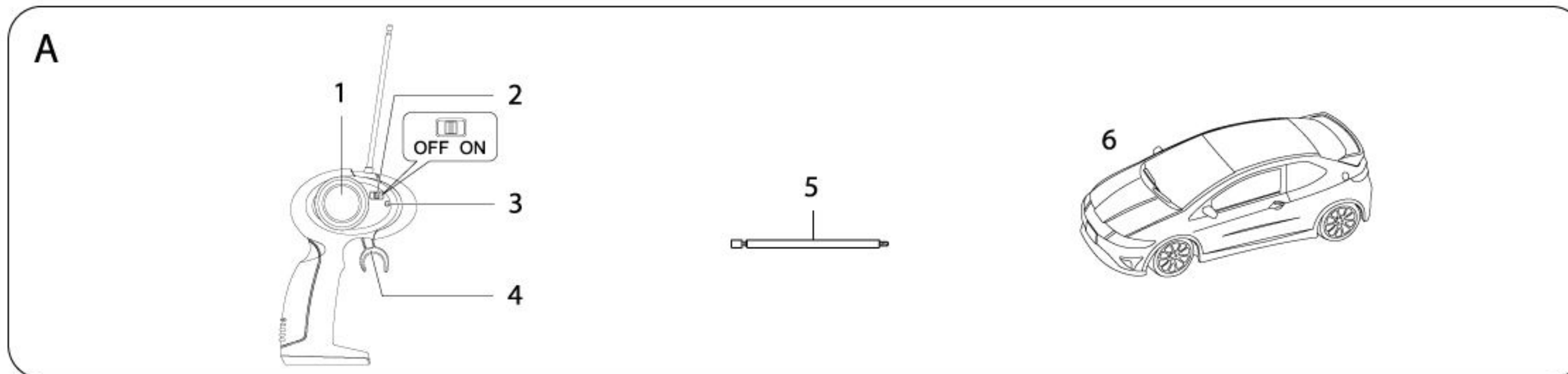




1:16 Real Drive Licensed R/C Car User Manual

Suitable Type: LC258000

Instruction



EN



Contents and overview

Functions and Specification:

- Full Function: Forward, backward, turn left, turn right, stop;
- Frequencies: 27MHz, 40MHz;
- Batteries: 4 x "AA" batteries for racer and 2 x "AA" for transmitter; (Batteries not included)
- Speed: Low speed at 7Km/h, TURBO at 11Km/h;
- Operating range: Over 15m.

Components: (Fig. A)

1. Steering Wheel
2. Power Switch OFF / ON
3. Power LED Lamp
4. Throttle
5. Antenna
6. R/C Toy Racer



Assembly instructions

Install And Remove Batteries:

1. Install batteries to transmitter: (Fig. B)
 - a) Use a cross-screwdriver to unscrew screws on transmitter, open battery compartment cover, and insert two "AA" batteries. (Fig. 7)
 - b) Reinsert battery compartment and screw down. (Fig. 8)
2. Install batteries to racer: (Fig. C)
 - a) Turn the toy racer upside-down and open battery door; (Fig. 9)
 - b) Insert four "AA" batteries at correct polarities, close battery door and turn door knob to lock back. (Fig. 10)

Methods To Operate:

- 1) Switch power button to "ON" and place R/C Racer on the ground. (Fig. D)
 11. Transmitter Power Switch
 12. Toy Racer Power Switch
- 2) Push Forward / Backward Throttle for running / accelerating forward with front lights; push backward for running backward with rear lights on. Move Left / Right Steering Wheel for running left / right. (Fig. E)
 13. Turning Right, while turning the Steering Wheel Right; Turning Left, while turning the Steering Wheel Left;
 14. Running Forward, while pushing the Throttle Backward; Running Backward, while pushing the Throttle Forward; Running Forward with Accelerating, while pushing the Throttle Pole Forward to the end.
- 3) To adjust the alignment of the car, twist trimmer on chassis. ("R" for right, "L" for left). (Fig. 15)
- 4) When finish playing, switch to "OFF" position.
 16. Car Power Switch
 17. Transmitter Power Switch
- 5) Remove batteries from racer and transmitter store separately.

To Consumers:

- 1) When playing the car indoor, avoid damaging furniture or glass surface;
- 2) To avoid accidents happen, please do not run the car in public. Only use this product in safe outdoor environment;
- 3) When thundering while running the car outdoor, please stop immediately;
- 4) Do not run the car on puddles or sand to avoid circuit failure;
- 5) Do not fold the antenna incorrectly. Broken antenna may have sharp edges and cause injury;
- 6) Do not pull the wires from the car unit. Broken wire may result function failure.
- 7) When the wheels are revolving, do not put your hand close to it, nor put it on the hair or clothing to avoid injury;
- 8) Do not run the car toward others;
- 9) Should not drop or bump the car;
- 10) Store the car in cool places and away from fire;
- 11) This product is composed of complicated electronic devices and original parts, please do not attempt to disassemble or alter this product;

- 12) When batteries are low in power, the car speed will slow down or out of control. Please change the batteries;
- 13) When the car is out of control, it may be due to battery compartment spring distortion. Adjust spring to proper position according to diagram; (Fig. G)
- 14) If the car is under pressure for a long time, the rear twist board may be deformed. Hold the rear motor and bend it to the opposite direction until the board is flat again;
- 15) Do not shake the box vigorously to avoid drop out of controller;
- 16) To enable longer life of the batteries, please follow below operations:
 - * Remove batteries when not in use;
 - * Do not mix old and new batteries; otherwise, the car runs slowly and battery life will die very soon.
- 17) The flexible antenna exposed outside R/C racer is for signal receiving. Please do not insert into electrical outlet.

Frequency And Environment:

- 1) When there is another car of similar radio frequency operating nearby, the transmitter may not function.
- 2) When interfered by other radio-waves, the transmitter may not function. Try again at other location or time.
- 3) This product is designed to run on cement and sand polished surface. If run on wax polished surface, the car cannot move straight due to poor contact between the tires and road surface, and may spin 180° or pivot.

Note:

This equipment has been tested and found to comply with the limits for a Class B digital device, pursuant to Part 15 of the FCC Rules. These limits are designed to provide reasonable protection against harmful interference in a residential installation. This equipment generates, uses and can radiate radio frequency energy and, if not installed and used in accordance with the instructions, may cause harmful interference to radio communications.

However, there is no guarantee that interference will not occur in a particular installation. If this equipment does cause harmful interference to radio or television reception, which can be determined by turning the equipment off and on, the user is encouraged to try to correct the interference by one or more of the following measures:

- * Reorient or relocate the receiving antenna.
- * Increase the separation between the equipment and receiver.
- * Connect the equipment into an outlet on a circuit different from that to which the receiver is connected.
- * Consult the dealer or an experienced radio / TV technician for help.

This device complies with part 15 of the FCC Rules. Operation is subject to the following two conditions:

- 1) This device may not cause harmful interference; and
- 2) This device must accept any interference received, including interference that may cause undesired operation.

Changes of modifications not expressly approved by the party responsible for compliance could void the user's authority to operate the equipment.

Caution & Warning

- Not-rechargeable batteries are not to be recharged;
- Rechargeable batteries are to be removed from the toy before being charged;
- Rechargeable batteries are only to be charged under adult supervision;
- Different types of batteries or new and used batteries are not to be mixed;
- Only batteries of the same or equivalent type as recommended are to be used;
- Batteries are to be inserted with the correct polarity;
- Exhausted batteries are to be removed from the toy;
- The supply terminals are not to be short-circuited;
- Do not mix old and new batteries;
- Do not mix alkaline batteries, standard (carbon-zinc) or rechargeable (Nickel-cadmium) batteries.

WARNING:
CHOKING HAZARD- Toy contains small parts.
Not for children under 3 yrs.

Guangdong Alpha Animation and Culture Co., Ltd

Room 510-511, 5/F, Tower B, New Mandarin Plaza,
14 Science Museum Road, Tsim Sha Tsui, Kowloon, HK
TEL: +852 2305 4882 E-mail: auldey_imd@auldey.cn
Website: www.auldeytoys.com



Suitable for aged 6 years (73 months) above

