



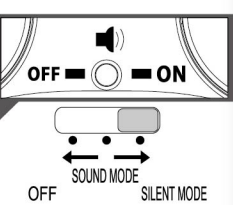
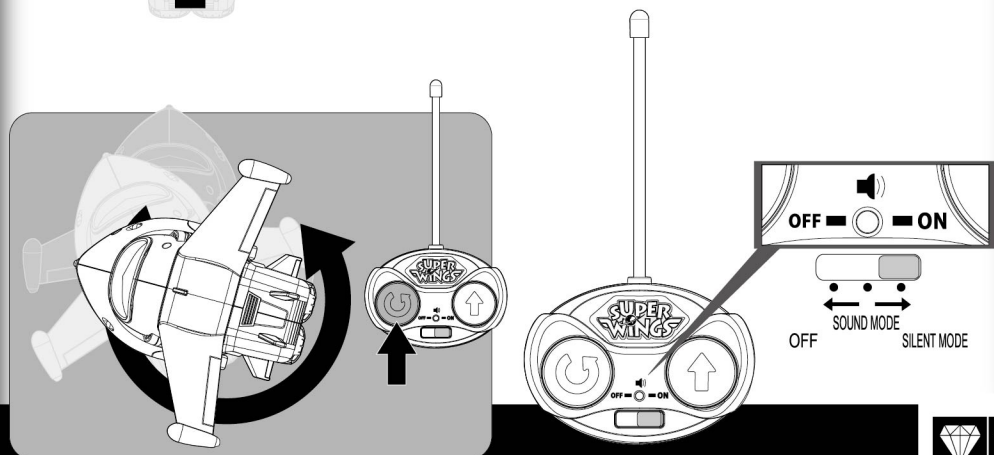
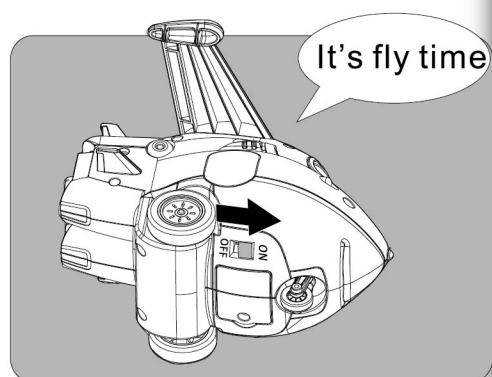
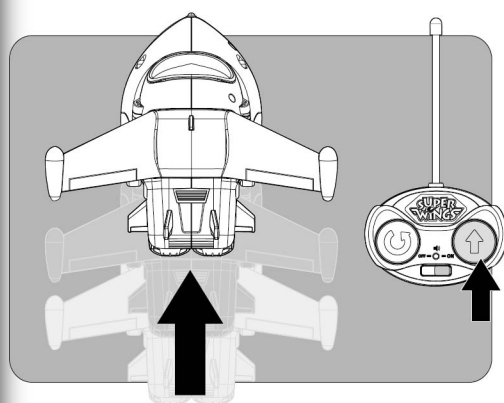
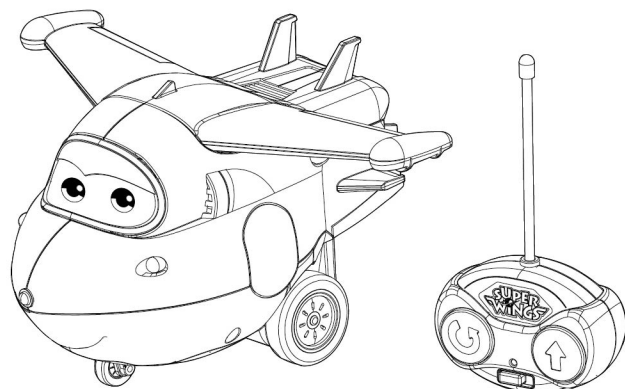
Remote Control Jett

ITEM NO. US710710

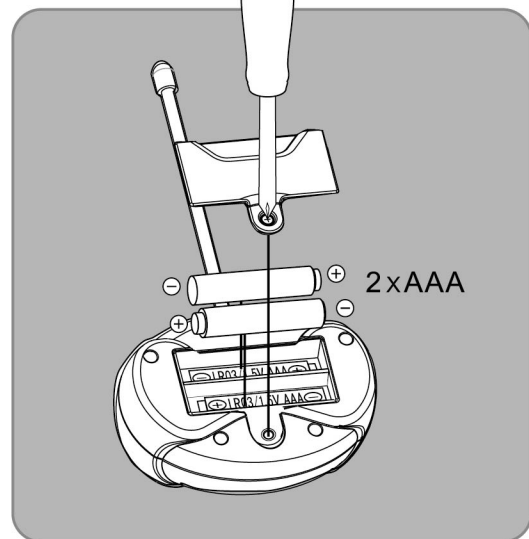
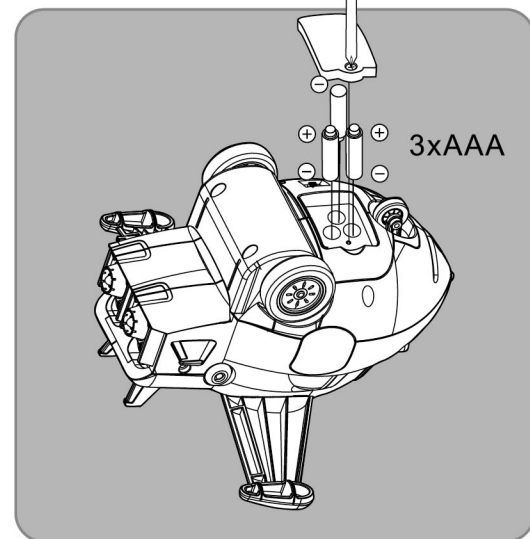
3+ YEARS



Instruction



EN



Suitable for age 3 years (36 months) and older.



MANUFACTURER :
GUANGDONG ALPHA ANIMATION AND CULTURE CO.,LTD
Auldey Toys of North America
1900 Crown Colony Drive-Ste. 388
Quincy, MA 02169
Tel: (844) 303-8936
E-mail: customerservice@auldey.us
Website www.auldeytoys.com

MADE IN CHINA
2015 FUNNYFLUX / ALPHA All rights reserved.

Main Material : ABS
ITEM NO. US710710

WARNING:
CHOKING HAZARD - Small parts.
Not for children under 3 yrs.

CONFORMS TO THE SAFETY REQUIREMENTS OF ASTM F963-11.

NOTE:
This equipment has been tested and found to comply with the limits for a Class B digital device, pursuant to Part 15 of the FCC Rules. These limits are designed to provide reasonable protection against harmful interference in a residential installation. This equipment generates, uses and can radiate radio frequency energy and, if not installed and used in accordance with the instructions, may cause harmful interference to radio communications. However, there is no guarantee that interference will not occur in a particular installation. If this equipment does cause harmful interference to radio or television reception, which can be determined by turning the equipment off and on, the user is encouraged to try to correct the interference by one or more of the following measures:

- Reorient or relocate the receiving antenna.
- Increase the separation between the equipment and receiver.
- Connect the equipment into an outlet on a circuit different from that to which the receiver is connected.
- Consult the dealer or an experienced radio/TV technician for help.

This device complies with Part 15 of the FCC rules. Operation is subject to the following two conditions: (1) This device may not cause harmful interference, and (2) This device must accept any interference received, including interference that may cause undesired operation.

Changes or modifications not expressly approved by the party responsible for compliance could void the user's authority to operate the equipment.

