

User's Manual

無線網路卡 Mini-PCI Card

Model Number: WMP-ND04

Revision: draft 0.1

This document contains confidential proprietary information and is the property of Alpha Networks Corporation. The contents of this document may not be disclosed to unauthorized persons without the written consent of Alpha Networks Corporation.

1.0 Scope

1.1 Document

This document is to specify the product requirements for **Mini-PCI Card**. This mPCI is based on Broadcom BCM4322 chipset that complied with IEEE 802.11n Draft 2.0, and it is also backward complied with IEEE 802.11a standard from 5.150~5.850GHz wideband and IEEE 802.11b/g standard from 2.412~2.462GHz. It can be used to provide up to 54Mbps for IEEE 802.11a and IEEE 802.11g , 11Mbps for IEEE 802.11b and 300Mbps for IEEE 802.11n to connect your wireless LAN.

There are several BAT files for the Broadcom testing.

Init_DUT.bat, Cz_24g.bat, continu_tx.bat, BCM24g.bat, BCM24gHT20.bat, BCM24gHT40.bat, BCM5g.bat, BCM5gHT20.bat, BCM5gHT40.bat

11b mode:

1. plug MiniPCI
2. executeInit_DUT.bat
3. executeCz_24g.bat channel datarate power antenna. Ex. Cz_24g.bat 1 11 18 0channel 1 datarate=11Mbps, power setting=18, antenna 0
4. continu_tx.bat

11g mode:

1. plug MiniPCI
2. executeBCM24g.bat channel datarate power Ex. BCM24g.bat 7 54 16channel 7 datarate=54Mbps, power setting=16,

11g HT20 mode:

1. plug MiniPCI
- 2.executeBCM24gHT20.bat channel datarate power Ex. BCM24gHT20.bat 11 8 16channel 11 datarate=MCS 8, power setting=16,

11g HT40 mode:

1. plug MiniPCI
- 2.executeBCM24gHT40.bat channel datarate power Ex. BCM24gHT40.bat 3 15 12channel 3 datarate=MCS 15, power setting=12,

11a mode:

1. plug MiniPCI
2. executeBCM5g.bat channel datarate power Ex. BCM5g.bat 100 54 16channel 100 datarate=54Mbps, power setting=16,

11a HT20 mode:

1. plug MiniPCI
- 2.executeBCM5gHT20.bat channel datarate power Ex. BCM5gHT20.bat 36 8 16channel 36 datarate=MCS 8, power setting=16,

11a HT40 mode:

1. plug MiniPCI
- 2.executeBCM5gHT40.bat channel datarate power Ex. BCM5gHT40.bat 165 15 12channel 165 datarate=MCS 15, power setting=12,

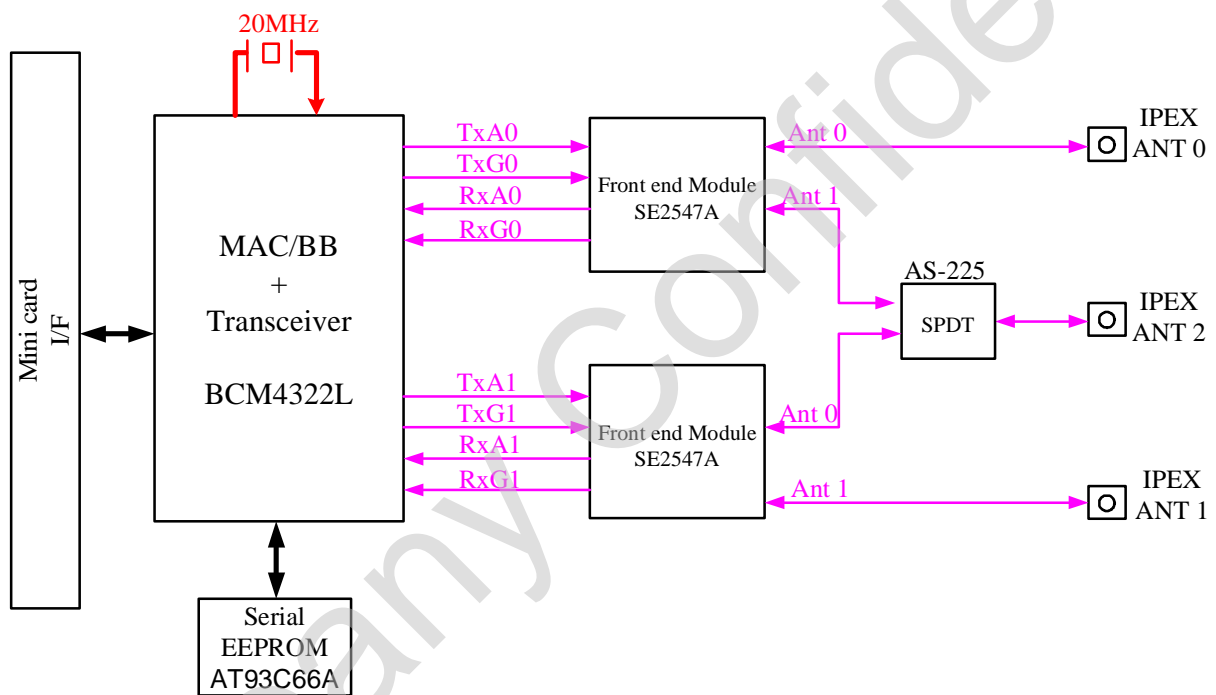
1.2 Product Features

- ✓ Compatible with IEEE 802.11a high rate standard to provide wireless 54Mbps data rate
- ✓ Compatible with IEEE 802.11g high rate standard to provide wireless 54Mbps data rate
- ✓ Compatible with IEEE 802.11b high rate standard to provide wireless 11Mbps data rate
- ✓ Compatible with IEEE 802.11 draft n standard to provide wireless 300Mbps data rate
- ✓ Maximum reliability, throughput and connectivity with automatic data rate switching
- ✓ Supports infrastructure networks via Access Point and ad-hoc network via peer-to-peer communication

2.0 Requirements

The following sections identify the detailed requirements of the **802.11a/b/g/n Mini-PCI Card**.

2.1 Functional Block Diagram



2.2 General Requirements

2.2.1 IEEE 802.11a Section

#	Feature	Detailed Description
2.2.1.1	Standard	✓ IEEE 802.11a
2.2.1.2	Radio and Modulation Type	✓ BPSK, QPSK, 16QAM, 64QAM with OFDM
2.2.1.3	Operating Frequency	<ul style="list-style-type: none"> ✓ 5.15 ~ 5.25GHz. , 5.725 ~ 5.850GHz for US ✓ 5.15 ~ 5.35GHz. , 5.470 ~ 5.725GHz , 5.725 ~ 5.850GHz for Canada ✓ 5.25 ~5.35GHz, 5.470 ~ 5.725GHz , 5.725 ~ 5.850GHz for Taiwan ✓ 5.15 ~ 5.25GHz for Japan ✓ 5.15 ~ 5.35GHz and 5.47 ~ 5.725GHz for Europe
2.2.1.4	Data Rate	✓ 54, 48, 36, 24, 18, 12, 9 and 6Mbps

#	Feature	Detailed Description
2.2.1.5	Media Access Protocol	Y CSMA/CA with ACK
2.2.1.6	Maximum Transmitter Output Power at Antenna Connector	Y For 5GHz (525~535GHz) 802.11a: 13.8 dBm Y For 5GHz (5.470~5.725GHz) 802.11a: 19.1 dBm Y For 5GHz (5.725~5.850GHz) 802.11a: 26.00 dBm
2.2.1.7	Receiver Sensitivity at Antenna Connector	Y Typical Sensitivity at Which Frame (1000-byte PDUs) Error Rate = 10% and at room Temp. 25degree C Y -dBm at 54Mbps Y -dBm at 48Mbps Y -dBm at 36Mbps Y -dBm at 24Mbps Y -dBm at 18Mbps Y -dBm at 12Mbps Y -dBm at 9Mbps Y -dBm at 6Mbps (TBC)

2.2.2 IEEE 802.11b Section

#	Feature	Detailed Description
2.2.2.1	Standard	Y IEEE 802.11b
2.2.2.2	Radio and Modulation Schemes	Y DQPSK, DBPSK, DSSS, and CCK
2.2.2.3	Operating Frequency	Y 2400 ~ 2483.5MHz ISM band
2.2.2.4	Channel Numbers	Y 11 channels for United States/ Canda/ Taiwan 13 channels for Europe Countries 14 channels for Japan
2.2.2.5	Data Rate	Y 11, 5.5, 2, and 1Mbps
2.2.2.6	Media Access Protocol	Y CSMA/CA with ACK
2.2.2.7	Transmitter Output Power at Antenna Connector	Y For 2.4GHz 802.11b: 22.8 dBm
2.2.2.8	Receiver Sensitivity at Antenna Connector	Y Typical Sensitivity at Which Frame (1000-byte PDUs) Error Rate = 8% and at room Temp. 25degree C Y -dBm at 11Mbps Y -dBm at 5.5Mbps Y -dBm at 2Mbps Y -dBm at 1Mbps (TBC)

2.2.3 IEEE 802.11g Section

#	Feature	Detailed Description
2.2.3.1	Standard	Y IEEE 802.11g
2.2.3.2	Radio and Modulation Type	Y BPSK, QPSK, 16QAM, 64QAM with OFDM
2.2.3.3	Operating Frequency	Y 2400 ~ 2483.5MHz ISM band
2.2.3.4	Channel Numbers	Y 11 channels for United States/ Canda/ Taiwan 13 channels for Europe Countries 14 channels for Japan
2.2.3.5	Data Rate	Y 6,9,12,18,24,36,48,54Mbps

#	Feature	Detailed Description
2.2.3.6	Media Access Protocol	Y CSMA/CA with ACK
2.2.3.7	Transmitter Output Power at Antenna Connector	Y For 2.4GHz 802.11g: 27.7 dBm.
2.2.3.8	Receiver Sensitivity at Antenna Connector	Y Typical Sensitivity at Which Frame (1000-byte PDUs) Error Rate = 10% and at room Temp. 25degree C Y -dBm at 54Mbps Y -dBm at 48Mbps Y -dBm at 36Mbps Y -dBm at 24Mbps Y -dBm at 18Mbps Y -dBm at 12Mbps Y -dBm at 9Mbps Y -dBm at 6Mbps (TBC)

2.2.4 IEEE 802.11 Draft n Section

#	Feature	Detailed Description				
2.2.4.1	Standard	Y 11n Draft 2.0				
2.2.4.2	Radio and Modulation Type	Y BPSK, QPSK, 16QAM, 64QAM with OFDM				
2.2.4.3	Operating Frequency	Y 2.4GHz Band: 2.4 ~ 2483.5GHz Y 5GHz Band: 5.15 ~ 5.25GHz, 5.725 ~ 5.850GHz for US 5.15 ~ 5.35GHz, 5.470 ~ 5.725GHz, 5.725 ~ 5.850GHz for Canada 5.25 ~ 5.35GHz, 5.470 ~ 5.725GHz, 5.725 ~ 5.850GHz for Taiwan 5.15 ~ 5.25GHz for Japan 5.15 ~ 5.35GHz and 5.47 ~ 5.725GHz for Europe				
2.2.4.4	Data Rate	MCS	GI=800ns		GI=400ns	
			20MHz	40MHz	20MHz	40MHz
		0	6.5	13.5	7.2	15
		1	13	27	14.4	30
		2	19.5	40.5	21.7	45
		3	26	54	28.9	60
		4	39	81	43.3	90
		5	52	108	57.8	120
		6	58.5	121.5	65.0	135
		7	65	135	72.2	150
		8	13	27	14.444	30
		9	26	54	28.889	60
		10	39	81	43.333	90
		11	52	108	57.778	120
		12	78	162	86.667	180
13	104	216	115.556	240		
14	117	243	130.000	170		
15	130	270	144.444	300		
2.2.4.5	Media Access Protocol	Y CSMA/CA with ACK				

#	Feature	Detailed Description																																																																								
2.2.4.6	Maximum Transmitter Output Power at Antenna Connector	<p>ÿ For 2.4GHz 802.11n (20MHz): 28.0 dBm 802.11n (40MHz): 27.1 dBm</p> <p>ÿ For 5GHz (525~535GHz) 802.11n (20MHz): 14.5 dBm 802.11n (40MHz): 15.1 dBm</p> <p>ÿ For 5GHz (5.470~5.725GHz) 802.11n (20MHz): 18.0 dBm 802.11n (40MHz): 16.6 dBm</p> <p>ÿ For 5GHz (5.725~5.850GHz) 802.11n (20MHz): 26.1 dBm 802.11n (40MHz): 25.7 dBm</p>																																																																								
2.2.4.7	Receiver Sensitivity at Antenna Connector	<p>ÿ Typical Sensitivity at Which Frame (1000-byte PDUs) Error Rate = 10% and at room Temp. 25degree C</p> <table border="1"> <thead> <tr> <th>n</th> <th>5GHz Band/HT-20 (TBC)</th> <th>n</th> <th>5GHz Band/HT-40 (TBC)</th> </tr> </thead> <tbody> <tr><td>ÿ</td><td>-dBm at MCS7/15</td><td>ÿ</td><td>-dBm at MCS7/15</td></tr> <tr><td>ÿ</td><td>-dBm at MCS6/14</td><td>ÿ</td><td>-dBm at MCS6/14</td></tr> <tr><td>ÿ</td><td>-dBm at MCS5/13</td><td>ÿ</td><td>-dBm at MCS5/13</td></tr> <tr><td>ÿ</td><td>-dBm at MCS4/12</td><td>ÿ</td><td>-dBm at MCS4/12</td></tr> <tr><td>ÿ</td><td>-dBm at MCS3/11</td><td>ÿ</td><td>-dBm at MCS3/11</td></tr> <tr><td>ÿ</td><td>-dBm at MCS2/10</td><td>ÿ</td><td>-dBm at MCS2/10</td></tr> <tr><td>ÿ</td><td>-dBm at MCS1/9</td><td>ÿ</td><td>-dBm at MCS1/9</td></tr> <tr><td>ÿ</td><td>-dBm at MCS0/8</td><td>ÿ</td><td>-dBm at MCS0/8</td></tr> </tbody> </table> <table border="1"> <thead> <tr> <th>n</th> <th>2.4GHz Band/HT-20(TBC)</th> <th>n</th> <th>2.4GHz Band/HT-40(TBC)</th> </tr> </thead> <tbody> <tr><td>ÿ</td><td>-dBm at MCS7/15</td><td>ÿ</td><td>-dBm at MCS7/15</td></tr> <tr><td>ÿ</td><td>-dBm at MCS6/14</td><td>ÿ</td><td>-dBm at MCS6/14</td></tr> <tr><td>ÿ</td><td>-dBm at MCS5/13</td><td>ÿ</td><td>-dBm at MCS5/13</td></tr> <tr><td>ÿ</td><td>-dBm at MCS4/12</td><td>ÿ</td><td>-dBm at MCS4/12</td></tr> <tr><td>ÿ</td><td>-dBm at MCS3/11</td><td>ÿ</td><td>-dBm at MCS3/11</td></tr> <tr><td>ÿ</td><td>-dBm at MCS2/10</td><td>ÿ</td><td>-dBm at MCS2/10</td></tr> <tr><td>ÿ</td><td>-dBm at MCS1/9</td><td>ÿ</td><td>-dBm at MCS1/9</td></tr> <tr><td>ÿ</td><td>-dBm at MCS0/8</td><td>ÿ</td><td>-dBm at MCS0/8</td></tr> </tbody> </table>	n	5GHz Band/HT-20 (TBC)	n	5GHz Band/HT-40 (TBC)	ÿ	-dBm at MCS7/15	ÿ	-dBm at MCS7/15	ÿ	-dBm at MCS6/14	ÿ	-dBm at MCS6/14	ÿ	-dBm at MCS5/13	ÿ	-dBm at MCS5/13	ÿ	-dBm at MCS4/12	ÿ	-dBm at MCS4/12	ÿ	-dBm at MCS3/11	ÿ	-dBm at MCS3/11	ÿ	-dBm at MCS2/10	ÿ	-dBm at MCS2/10	ÿ	-dBm at MCS1/9	ÿ	-dBm at MCS1/9	ÿ	-dBm at MCS0/8	ÿ	-dBm at MCS0/8	n	2.4GHz Band/HT-20(TBC)	n	2.4GHz Band/HT-40(TBC)	ÿ	-dBm at MCS7/15	ÿ	-dBm at MCS7/15	ÿ	-dBm at MCS6/14	ÿ	-dBm at MCS6/14	ÿ	-dBm at MCS5/13	ÿ	-dBm at MCS5/13	ÿ	-dBm at MCS4/12	ÿ	-dBm at MCS4/12	ÿ	-dBm at MCS3/11	ÿ	-dBm at MCS3/11	ÿ	-dBm at MCS2/10	ÿ	-dBm at MCS2/10	ÿ	-dBm at MCS1/9	ÿ	-dBm at MCS1/9	ÿ	-dBm at MCS0/8	ÿ	-dBm at MCS0/8
n	5GHz Band/HT-20 (TBC)	n	5GHz Band/HT-40 (TBC)																																																																							
ÿ	-dBm at MCS7/15	ÿ	-dBm at MCS7/15																																																																							
ÿ	-dBm at MCS6/14	ÿ	-dBm at MCS6/14																																																																							
ÿ	-dBm at MCS5/13	ÿ	-dBm at MCS5/13																																																																							
ÿ	-dBm at MCS4/12	ÿ	-dBm at MCS4/12																																																																							
ÿ	-dBm at MCS3/11	ÿ	-dBm at MCS3/11																																																																							
ÿ	-dBm at MCS2/10	ÿ	-dBm at MCS2/10																																																																							
ÿ	-dBm at MCS1/9	ÿ	-dBm at MCS1/9																																																																							
ÿ	-dBm at MCS0/8	ÿ	-dBm at MCS0/8																																																																							
n	2.4GHz Band/HT-20(TBC)	n	2.4GHz Band/HT-40(TBC)																																																																							
ÿ	-dBm at MCS7/15	ÿ	-dBm at MCS7/15																																																																							
ÿ	-dBm at MCS6/14	ÿ	-dBm at MCS6/14																																																																							
ÿ	-dBm at MCS5/13	ÿ	-dBm at MCS5/13																																																																							
ÿ	-dBm at MCS4/12	ÿ	-dBm at MCS4/12																																																																							
ÿ	-dBm at MCS3/11	ÿ	-dBm at MCS3/11																																																																							
ÿ	-dBm at MCS2/10	ÿ	-dBm at MCS2/10																																																																							
ÿ	-dBm at MCS1/9	ÿ	-dBm at MCS1/9																																																																							
ÿ	-dBm at MCS0/8	ÿ	-dBm at MCS0/8																																																																							

2.2.5 General Section

#	Feature	Detailed Description
2.2.5.1	Antenna Type	ÿ TBD
2.2.5.2	Operating Voltage	ÿ 3.3VDC +/- 5%
2.2.5.3	Current Consumption	ÿ TBDmA at transmit mode ÿ TBDmA at receive mode
2.2.5.4	Form Factor and Interface	ÿ Mini-PCI type III A form factor

2.3 Software Requirements

This configuration software includes the following functions:

Y Security

Supports enhanced security WEP, 802.1x, WPA and WPA2.

2.3.1 Security

#	Feature	Detailed Description
2.3.3.1	Encryption	Y RC4 encryption algorithm Y Support 64-bit, and 128-bit WEP encryption Y Support open system (OSA) and shared key authentication (SKA)
2.3.3.2	WEP Management	Y Four WEP keys can be selected Y STA with WEP off will never associate any AP with WEP enabled Y WEP Key Format: Option for Hex format
2.3.3.3	802.1x	Y Support EAP-TLS, EAP-TTLS, and EAP-PEAP
2.3.3.4	WPA/WPA2	Y Support WPA/WPA2-PSK and WPA/WPA2-EAP Y Support Cipher Mode AES and TKIP

2.4 PCB Dimension Requirements

#	Feature	Detailed Description
2.4.1	Length	Y 60.00 mm
2.4.2	Width	Y 50.00 mm
2.4.3	High	Y 1.00mm

2.5 Compatibility Requirements

This device passes the following compatibility requirements.

#	Feature	Detailed Description
2.5.1	Wi-Fi	Y TBD
2.5.2	WHQL	Y TBD
2.5.3	Physical Layer and Functionality	Y Meet Alpha Networks Engineering Test Plan and Test Report

2.6 Requirements of Reliability, Maintainability and Quality

#	Feature	Detailed Description
2.6.1	MTBF	Y Mean Time Between Failure > 30,000 hours
2.6.2	Maintainability	Y There is no scheduled preventive maintenance required
2.6.3	Quality	Y The product quality is followed-up by Alpha Networks factory quality control system

2.7 Environmental Requirements

#	Feature	Detailed Description
2.7.1	Operating Temperature Conditions	Y The product is capable of continuous reliable operation when operating in ambient temperature of 0 °C to +50°C.

#	Feature	Detailed Description
2.7.2	Non-Operating Temperature Conditions	Y Neither subassemblies is damaged nor the operational performance is degraded when restored to the operating temperature after exposing to storage temperature in the range of -20 °C to +75 °C .
2.7.3	Operating Humidity conditions	Y The product is capable of continuous reliable operation when subjected to relative humidity in the range of 10% and 90% non-condensing.
2.7.4	Non-Operating Humidity Conditions	Y The product is not damaged nor the performance is degraded after exposure to relative humidity ranging from 5% to 95% non-condensing

Federal Communication Commission Interference Statement

This equipment has been tested and found to comply with the limits for a Class B digital device, pursuant to Part 15 of the FCC Rules. These limits are designed to provide reasonable protection against harmful interference in a residential installation. This equipment generates, uses and can radiate radio frequency energy and, if not installed and used in accordance with the instructions, may cause harmful interference to radio communications. However, there is no guarantee that interference will not occur in a particular installation. If this equipment does cause harmful interference to radio or television reception, which can be determined by turning the equipment off and on, the user is encouraged to try to correct the interference by one of the following measures:

- Reorient or relocate the receiving antenna.
- Increase the separation between the equipment and receiver.
- Connect the equipment into an outlet on a circuit different from that to which the receiver is connected.
- Consult the dealer or an experienced radio/TV technician for help.

This device complies with Part 15 of the FCC Rules. Operation is subject to the following two conditions: (1) This device may not cause harmful interference, and (2) this device must accept any interference received, including interference that may cause undesired operation.

FCC Caution: Any changes or modifications not expressly approved by the party responsible for compliance could void the user's authority to operate this equipment.

IMPORTANT NOTE:

FCC Radiation Exposure Statement:

This equipment complies with FCC radiation exposure limits set forth for an uncontrolled environment. This equipment should be installed and operated with minimum distance 20cm between the radiator & your body. This transmitter must not be co-located or operating in conjunction with any other antenna or transmitter.

Operations in the 5.15-5.25GHz band are restricted to indoor usage only

IEEE 802.11b or 802.11g operation of this product in the U.S.A. is firmware-limited to channels 1 through 11.

This device is intended only for OEM integrators under the following conditions:

- 1) The antenna must be installed such that 20 cm is maintained between the antenna and users, and
- 2) The transmitter module may not be co-located with any other transmitter or antenna,
- 3) For all products market in US, OEM has to limit the operation channels in CH1 to CH11 for 2.4G band by supplied firmware programming tool. OEM shall not supply any tool or info to the end-user regarding to Regulatory Domain change.

As long as 3 conditions above are met, further transmitter test will not be required. However, the OEM integrator is still responsible for testing their end-product for any additional compliance requirements required with this module installed (for example, digital device emissions, PC peripheral requirements, etc.).

IMPORTANT NOTE: In the event that these conditions can not be met (for example certain laptop configurations or co-location with another transmitter), then the FCC authorization is no longer considered valid and the FCC ID can not be used on the final product. In these circumstances, the OEM integrator will be responsible for re-evaluating the end product (including the transmitter) and obtaining a separate FCC authorization.

End Product Labeling

This transmitter module is authorized only for use in device where the antenna may be installed such that 20 cm may be maintained between the antenna and users. The final end product must be labeled in a visible area with the following: "Contains FCC ID: RRKWMPND04".

Manual Information To the End User

The OEM integrator has to be aware not to provide information to the end user regarding how to install or remove this RF module in the user's manual of the end product which integrates this module.

The end user manual shall include all required regulatory information/warning as show in this manual.

Industry Canada Statement

This device complies with RSS-210 of the Industry Canada Rules. Operation is subject to the following two conditions:

- 1) this device may not cause interference and
- 2) this device must accept any interference, including interference that may cause undesired operation of the device

This device has been designed to operate with an antenna having a maximum gain of 6.741dBi. (Include cable loss) Antenna having a higher gain is strictly prohibited per regulations of Industry Canada. The required antenna impedance is 50 ohms.

To reduce potential radio interference to other users, the antenna type and its gain should be so chosen that the EIRP is not more than required for successful communication.

Caution:

The device for the band 5150-5250 MHz is only for indoor usage to reduce potential for harmful interference to co-channel mobile satellite systems.

Because high power radars are allocated as primary users (meaning they have priority) in 5250-5350 MHz and 5650-5850 MHz, these radars could cause interference and/or damage to license exempt LAN devices.

In order to protect Environment Canada weather radars operating in the band 5600-5650 MHz, this device will not transmit on any channels operating in the band 5600-5650 MHz.

IMPORTANT NOTE:

IC Radiation Exposure Statement:

This equipment complies with IC radiation exposure limits set forth for an uncontrolled environment. This equipment should be installed and operated with minimum distance 20cm between the radiator & your body.

This device is intended only for OEM integrators under the following conditions:

The transmitter module may not be co-located with any other transmitter or antenna.

As long as conduction above is met, further transmitter test will not be required. However, the OEM integrator is still responsible for testing their end-product for any additional compliance requirements required with this module installed (for example, digital device emissions, PC peripheral requirements, etc.).

This device is intended only for OEM integrators under the following conditions:

1. The antenna must be installed such that 20 cm is maintained between the antenna and users, and
2. The transmitter module may not be co-located with any other transmitter or antenna,
3. For all products market in CANADA, OEM has to limit the operation channels in CH1 to CH11 for 2.4G band by

supplied firmware programming tool. OEM shall not supply any tool or info to the end-user regarding to Regulatory Domain change.

As long as 3 conditions above are met, further transmitter test will not be required. However, the OEM integrator is still responsible for testing their end-product for any additional compliance requirements required with this module installed (for example, digital device emissions, PC peripheral requirements, etc.).

IMPORTANT NOTE: In the event that these conditions can not be met (for example certain laptop configurations or co-location with another transmitter), then the IC authorization is no longer considered valid and the IC ID can not be used on the final product. In these circumstances, the OEM integrator will be responsible for re-evaluating the end product (including the transmitter) and obtaining a separate IC authorization.

End Product Labeling

The final end product must be labeled in a visible area with the following: "Contains TX IC : 4833A-WMPND04".

Manual Information That Must be Included

The OEM integrator has to be aware not to provide information to the end user regarding how to install or remove.

This RF module in the user's manual of the end product which integrates this module.

The user's manual for OEM Integrators must include the following information in a prominent location "IMPORTANT NOTE: To comply with FCC RF exposure compliance requirements. The antenna must not be co-located or operating in conjunction with any other antenna or transmitter".

以下警語適用台灣地區：

經型式認證合格之低功率射頻電機，非經許可，公司、商號或使用者均不得擅自變更頻率、加大功率或變更原設計之特性及功能。

低功率射頻電機之使用不得影響飛航安全及干擾合法通信；經發現有干擾現象時，應立即停用，並改善至無干擾時方得繼續使用。前項合法通信，指依電信法規定作業之無線電通信。低功率射頻電機須忍受合法通信或工業、科學及醫療用電波輻射性電機設備之干擾。

在 5.25-5.35 赫茲(GHz)頻帶內操作之無線資訊傳輸設備，限於室內使用。

本模組於取得認證後將依規定於模組本體標示審合格籤，並要求平台上標示「本產品內含射頻模組：ID 編號」