



**CD/USB/ADVANCED BLUETOOTH WITH SiriusXM Tuner  
CDE-SXM145BT**

**CD/USB RECEIVER WITH ADVANCED BLUETOOTH  
CDE-143BT**

**USB RECEIVER WITH ADVANCED BLUETOOTH  
UTE-42BT**

EN

FR

ES



(CDE-SXM145BT only)



- OWNER'S MANUAL  
Please read before using this equipment.
- MODE D'EMPLOI  
Veuillez lire avant d'utiliser cet appareil.
- MANUAL DE OPERACIÓN  
Léalo antes de utilizar este equipo.

Thank you for purchasing this Alpine product. Please take a moment to protect your purchase by registering your product now at the following address: [www.alpine-usa.com/registration](http://www.alpine-usa.com/registration). You will be informed of product and software updates (if applicable), special promotions, news about Alpine, and entered for a chance to win prizes.

Merci d'avoir acheté ce produit Alpine. Nous vous invitons à consacrer un moment à la protection de votre achat en enregistrant votre produit dès maintenant à l'adresse suivante : [www.alpine-usa.com/registration](http://www.alpine-usa.com/registration).

Vous serez tenu informé des mises à jour des produits et des logiciels (le cas échéant), des promotions spéciales, de l'actualité d'Alpine, et vous aurez une chance de remporter des prix.

Gracias por adquirir este producto Alpine. Con solo unos pocos pasos podrá proteger su producto, registrándolo a través de la siguiente dirección: [www.alpine-usa.com/registration](http://www.alpine-usa.com/registration). Recibirá información sobre nuevos productos y software, promociones especiales, novedades sobre Alpine y participará en el sorteo de premios.

**ALPINE ELECTRONICS OF AMERICA, INC.**  
19145 Gramercy Place, Torrance,  
California 90501, U.S.A.  
Phone 1-800-ALPINE-1 (1-800-257-4631)

**ALPINE ELECTRONICS OF CANADA, INC.**  
777 Supertest Road, Toronto,  
Ontario M3J 2M9, Canada  
Phone 1-800-ALPINE-1 (1-800-257-4631)

**ALPINE ELECTRONICS MARKETING, INC.**

1-7, Yukigaya-Otsukamachi, Ota-ku,  
Tokyo 145-0067, JAPAN  
Phone: 03-5499-4531

**ALPINE ELECTRONICS FRANCE S.A.R.L.**

(RCS PONTOISE B 338 101 280)  
98, Rue de la Belle Etoile, Z.I. Paris Nord II,  
B.P. 50016, 95945 Roissy Charles de Gaulle  
Cedex, France  
Phone 01-48638989

**ALPINE ELECTRONICS OF AUSTRALIA PTY. LTD.**

161-165 Princes Highway, Hallam  
Victoria 3803, Australia  
Phone 03-8787-1200

**ALPINE ELECTRONICS GmbH**

Wilhelm-Wagenfeld-Str. 1-3, 80807 München, Germany  
Phone 089-32 42 640

**ALPINE ELECTRONICS OF U.K. LTD.**

Alpine House  
Fletchamstead Highway, Coventry CV4 9TW, U.K.  
Phone 0870-33 33 763

**ALPINE ITALIA S.p.A.**

Viale C. Colombo 8, 20090 Trezzano  
Sul Naviglio (MI), Italy  
Phone 02-484781

**ALPINE ELECTRONICS DE ESPAÑA, S.A.**

Portal de Gamarra 36, Pabellón, 32  
01013 Vitoria (Alava)-APDO 133, Spain  
Phone 945-283588

## Operating Instructions

### WARNING

WARNING .....	6
CAUTION .....	6
PRECAUTIONS .....	6

### Getting Started

Accessory List .....	9
Turning Power On and Off .....	9
Source Selection .....	9
Detaching and Attaching the Front Panel .....	9
Detaching .....	9
Attaching .....	9
Initial System Start-Up .....	10
Adjusting Volume .....	10
Setting Time .....	10

### Radio

Listening to Radio .....	11
Presetting Stations Manually .....	11
Presetting Stations Automatically .....	11
Tuning to Preset Stations .....	11
Frequency Search Function .....	11

### CD/MP3/WMA

#### (CDE-SXM145BT/CDE-143BT only)

Playback .....	12
Repeat Play .....	12
M.I.X. (Random Play) .....	12
Searching for CD Text .....	12
Folder/File Name Search (concerning MP3/WMA) .....	13
Folder Name Search mode .....	13
File Name Search mode .....	13
Search Position Memory .....	13
About MP3/WMA .....	13
Terminology .....	14

### Sound Setting

Adjusting Subwoofer Level/Bass Level/Mid Level/Treble Level/Balance (Between Left and Right)/Fader (Between Front and Rear)/ Defeat .....	15
Audio Setup .....	15
Equalizer Presets (F-EQ) .....	15
Adjusting the Parametric Equalizer Curve (3BAND EQ) .....	16
Setting the Bass Control .....	16
Setting the Mid Control .....	16
Setting the Treble Control .....	16
Setting the Source Volume Level .....	17
Adjusting the High Pass Filter .....	17
Turning Subwoofer ON/OFF .....	17
Adjusting the Low Pass Filter .....	17
Setting the Subwoofer Phase .....	17
Setting the Subwoofer System .....	17
External Device .....	17
Connecting to an External Amplifier (Power IC) .....	17
Setting the MX Level .....	18

### Other Functions

Displaying the Text .....	18
About "Text" .....	19
Using the Front AUX Input Terminal .....	19
Option Menu Setting .....	19

### SETUP

Setting .....	20
General Setting .....	21
Setting the AUX SETUP mode .....	21
Setting the AUX NAME mode .....	21
Playing MP3/WMA Data (PLAY MODE) (CDE-SXM145BT/CDE-143BT only) .....	21
Demonstration .....	21
Display Setting .....	21
Dimmer Control .....	21
Scroll Setting (TEXTSCROLL) .....	21
Scroll Type Setting .....	21
Tuner Setting .....	22
Setting the TUNER (FM) tone quality .....	22
iPod/iPhone Setting .....	22
iPod/iPhone Search Mode Setting .....	22

## BLUETOOTH Operation

Setup Before Using .....	22
About BLUETOOTH.....	22
Before Using BLUETOOTH Function.....	22
How to connect to a BLUETOOTH compatible device (Pairing) .....	23
Pairing a BLUETOOTH compatible device with SSP (Secure Simple Pairing).....	23
Pairing a BLUETOOTH compatible device without SSP (Secure Simple Pairing).....	23
BLUETOOTH SETUP .....	23
Setting the BLUETOOTH Connection (BT IN).....	23
Setting the BLUETOOTH Device .....	23
Setting the Visible Mode .....	24
Setting the BLUETOOTH sound quality.....	24
Adjusting the volume (VOL LV ADJ).....	24
Sound Auto setting (TYPE SET).....	24
Setting the caller information display ON/OFF .....	24
Setting the Phone Book Update.....	24
Setting the Phone Book Auto Update ON/OFF (AUTO) .....	24
Setting the Phone Book Manual Update ON/OFF (MANUAL).....	24
Changing the Phone book List Order.....	24
Setting the Received Calls automatically (Auto Answer).....	25
Selecting the output speaker .....	25
Displaying the firmware version.....	25
Updating the firmware .....	25
Hands-Free Phone Control .....	25
About the Hands-Free Phone.....	25
Answering a Call .....	25
Hanging up the Telephone .....	25
Voice Control Operation.....	25
Calling .....	26
Redialing a Number In Outgoing History.....	26
Dialing a Number In Incoming History.....	26
Dialing a Number In Incoming Missed Call History .....	26
Dialing a Number In The Phone Book .....	26
Phone book alphabet search function .....	26
Call waiting function.....	27
Preset a number in the Phone Book (Shortcut dial).....	27
Dialing the preset number .....	27
Adjusting the volume when receiving a Call.....	27
Muting the microphone input quickly (Voice Mute).....	27
Call Switching Operation .....	27

BLUETOOTH Audio Operation.....	28
Recalling the BLUETOOTH Audio Mode .....	28
Selecting the desired Song .....	28
Selecting the Desired Group (Folder).....	28
Pausing.....	28
Displaying the Text .....	28

## Flash Memory (optional)

Playing MP3/WMA Files from Flash Memory (optional) .....	28
Flash Memory Connection (optional) .....	29
Connect Flash Memory .....	29
Remove Flash Memory .....	29
About MP3/WMA File of Flash Memory .....	29

## iPod/iPhone (optional)

Connecting an iPod/iPhone.....	29
Setting the iPod Control.....	30
Playback.....	30
Searching for a desired Song .....	30
Alphabet search function .....	31
Direct Search Function .....	31
Change Playlist/Artist/Album/Genre/Composer .....	31
Random Play Shuffle (M.I.X.).....	31
Repeat Play .....	32

## SiriusXM Satellite Radio Operation (CDE-SXM145BT only)

Receiving Channels with the SiriusXM Tuner .....	32
SiriusXM Setting (CDE-SXM145BT Only) .....	32
Managing Artist and Song Alerts .....	33
Setting the Favorite Sports Team Alerts.....	33
Setting the Parental Control.....	33
Confirming the strength of the SiriusXM signal.....	34
Setting Tune Start.....	34
Checking the SiriusXM Radio ID Number .....	34
Storing Channel Presets .....	34
Tuning Channels using Presets.....	34
Storing the desired Artist and Song Alerts.....	34
Tune Scan Function .....	35
Tune Start Function .....	35
Receiving and Tuning to an Alert .....	35

Search Function .....	35
Searching by Channel .....	35
Searching by My Music .....	35
Searching by My Games .....	36
Searching by Featured Favorites .....	36
Using Jump Memory and Jump Recall function .....	36
Replay Function .....	36
Parental Lock Function.....	36
Storing iTunes Tagging information .....	37
Changing the Display .....	37

## Information

In Case of Difficulty.....	37
Basic .....	37
Radio.....	37
CD (CDE-SXM145BT/CDE-143BT only) .....	37
MP3/WMA.....	38
Audio .....	38
iPod .....	38
Indication for CD Player (CDE-SXM145BT/CDE-143BT only) .....	38
Indication for Flash Memory.....	38
Indication for iPod Mode.....	39
BLUETOOTH mode.....	39
SiriusXM Advisory Messages (CDE-SXM145BT only) .....	39
Specifications .....	41

---

## Installation and Connections

<b>WARNING</b> .....	<b>42</b>
<b>CAUTION</b> .....	<b>42</b>
<b>PRECAUTIONS</b> .....	<b>42</b>
Installation.....	43
Removal.....	43
Mounting the Microphone.....	43
Connections.....	44

## LIMITED WARRANTY

### Note

- The description related with Disc on this Owner's Manual is only applicable to CDE-SXM145BT/CDE-143BT.

# Operating Instructions

## WARNING

### WARNING

**This symbol means important instructions. Failure to heed them can result in serious injury or death.**

#### **DO NOT OPERATE ANY FUNCTION THAT TAKES YOUR ATTENTION AWAY FROM SAFELY DRIVING YOUR VEHICLE.**

Any function that requires your prolonged attention should only be performed after coming to a complete stop. Always stop the vehicle in a safe location before performing these functions. Failure to do so may result in an accident.

#### **KEEP THE VOLUME AT A LEVEL WHERE YOU CAN STILL HEAR OUTSIDE NOISES WHILE DRIVING.**

Excessive volume levels that obscure sounds such as emergency vehicle sirens or road warning signals (train crossings, etc.) can be dangerous and may result in an accident. LISTENING AT LOUD VOLUME LEVELS IN A CAR MAY ALSO CAUSE HEARING DAMAGE.

#### **DO NOT DISASSEMBLE OR ALTER.**

Doing so may result in an accident, fire or electric shock.

#### **USE ONLY IN CARS WITH A 12 VOLT NEGATIVE GROUND.**

(Check with your dealer if you are not sure.) Failure to do so may result in fire, etc.

#### **KEEP SMALL OBJECTS SUCH AS BATTERIES OUT OF THE REACH OF CHILDREN.**

Swallowing them may result in serious injury. If swallowed, consult a physician immediately.

#### **USE THE CORRECT AMPERE RATING WHEN REPLACING FUSES.**

Failure to do so may result in fire or electric shock.

#### **DO NOT BLOCK VENTS OR RADIATOR PANELS.**

Doing so may cause heat to build up inside and may result in fire.

#### **USE THIS PRODUCT FOR MOBILE 12V APPLICATIONS.**

Use for other than its designed application may result in fire, electric shock or other injury.

#### **DO NOT PLACE HANDS, FINGERS OR FOREIGN OBJECTS IN INSERTION SLOTS OR GAPS.**

Doing so may result in personal injury or damage to the product.

### CAUTION

**This symbol means important instructions. Failure to heed them can result in injury or material property damage.**

#### **HALT USE IMMEDIATELY IF A PROBLEM APPEARS.**

Failure to do so may cause personal injury or damage to the product. Return it to your authorized Alpine dealer or the nearest Alpine Service Center for repairing.

### PRECAUTIONS

#### **Product Cleaning**

Use a soft dry cloth for periodic cleaning of the product. For more severe stains, please dampen the cloth with water only. Anything else has the chance of dissolving the paint or damaging the plastic.

#### **Temperature**

Be sure the temperature inside the vehicle is between +60°C (+140°F) and -10°C (+14°F) before turning your unit on.

#### **Moisture Condensation**

You may notice the CD playback sound wavering due to condensation. If this happens, remove the disc from the player and wait about an hour for the moisture to evaporate.

#### **Damaged Disc**

Do not attempt to play cracked, warped, or damaged discs. Playing a bad disc could severely damage the playback mechanism.

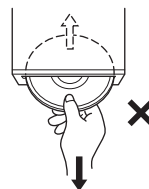
#### **Maintenance**

If you have problems, do not attempt to repair the unit yourself. Return it to your Alpine dealer or the nearest Alpine Service Station for servicing.

#### **Never Attempt the Following**

Do not grip or pull out the disc while it is being pulled back into the player by the automatic reloading mechanism.

Do not attempt to insert a disc into the unit when the unit power is off.



---

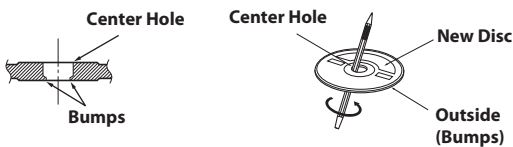
## Inserting Discs

Your player accepts only one disc at a time for playback. Do not attempt to load more than one disc. Make sure the label side is facing up when you insert the disc. "ERROR" will be displayed on your player if you insert a disc incorrectly. If "ERROR" continues to be displayed even though the disc has been inserted correctly, push the RESET button with a pointed object such as a ballpoint pen. Playing a disc while driving on a very bumpy road may result in skips, but this will not scratch the disc or damage the player.

---

## New Discs

To prevent the CD from jamming, "ERROR" is displayed if discs with irregular surfaces are inserted or if discs are inserted incorrectly. When a new disc is ejected immediately after initial loading, use your finger to feel around the inside of the center hole and outside edge of the disc. If you feel any small bumps or irregularities, this could inhibit proper loading of the disc. To remove the bumps, rub the inside edge of the hole and outside edge of the disc with a ballpoint pen or other such instrument, then insert the disc again.



---

## Irregular Shaped Discs

Be sure to use round discs only for this unit and never use any special shaped discs. Use of anything but round discs may cause damage to the mechanism.



---

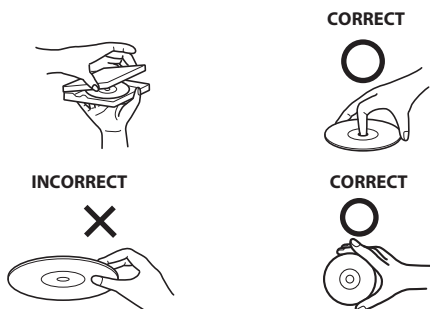
## Installation Location

Make sure this unit will not be installed in a location subjected to:

- Direct sun and heat
  - High humidity and water
  - Excessive dust
  - Excessive vibrations
- 

## Correct Handling

Do not drop the disc while handling. Hold the disc so you will not leave fingerprints on the surface. Do not affix tape, paper, or gummed labels to the disc. Do not write on the disc.



---

## Disc Cleaning

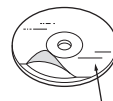
Fingerprints, dust, or soil on the surface of the disc could cause the CD player to skip. For routine cleaning, wipe the playing surface with a clean, soft cloth from the center of the disc to the outer edge. If the surface is heavily soiled, dampen a clean, soft cloth in a solution of mild neutral detergent before cleaning the disc.



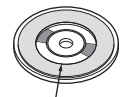
---

## Disc Accessories

There are various accessories available on the market for protecting the disc surface and improving sound quality. However, most of them will influence the thickness and/or diameter of the disc. Using such accessories can cause the disc to be out of standard specifications and may create operational problems. We recommend not using these accessories on discs played in Alpine CD players.



Transparent Sheet



Disc Stabilizer

---

## On handling Compact Discs (CD/CD-R/CD-RW)

- Do not touch the surface.
- Do not expose the disc to direct sunlight.
- Do not affix stickers or labels.
- Clean the disc when it is dusty.
- Make sure that there are no bumps around the disc.
- Do not use commercially available disc accessories.

**Do not leave the disc in the car or the unit for a long time. Never expose the disc to direct sunlight.** Heat and humidity may damage the CD and you may not be able to play it again.

## To customers using CD-R/CD-RW

- If a CD-R/CD-RW cannot be played back, make sure the last recording session was closed (finalised).
  - Finalise the CD-R/CD-RW if necessary, and attempt playback again.
- 

## About media that can be played

Use only compact discs with the label side showing the CD logo marks below.



If you use unspecified compact discs, correct performance cannot be guaranteed. You can play CD-Rs (CD-Recordables)/CD-RWs (CD-ReWritables) which have been recorded only on audio devices. You can also play CD-Rs/CD-RWs containing MP3 formatted audio files.

- Some of the following CDs may not play on this unit: Flawed CDs, CDs with fingerprints, CDs exposed to extreme temperatures or sunlight (e.g., left in the car or this unit), CDs recorded under unstable conditions, CDs on which a recording failed or a re-recording was attempted, copy-protected CDs which do not conform to the audio CD industry standard.

- Use discs with MP3/WMA files written in a format compatible with this unit. For details, refer to “About MP3/WMA” on page 13.
- ROM data other than audio files contained in a disc will not produce sound when played back.

---

### Protecting the USB Port

- Only a USB Flash Memory devices can be connected to the USB port on this unit. Correct performance using other USB products cannot be guaranteed. A USB hub is not supported.
- Depending on the shape or size of a Flash Memory device, it may not be connected to the USB terminal of this unit—a USB extension (sold separately) is recommended for this connection. Also, avoid connecting Flash Memory and Front Aux at the same time.
- If a USB device is inserted in the unit, it projects out and may be a danger while driving. Use a commercially available USB extension cable, and connect it in a safe way.
- Depending on the connected Flash Memory device, the unit may not function or some functions may not be performed.
- The audio file format that can be played back on the unit is MP3/WMA.
- Artist/song name, etc., can be displayed, however some special characters may not be correctly displayed.

---

### On Handling Flash Memory

#### CAUTION

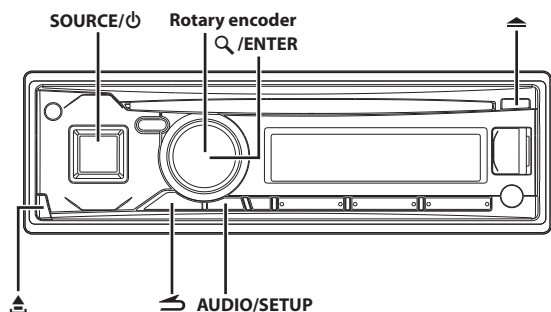
**Alpine accepts no responsibility for lost data, etc., even if data, etc., is lost while using this product.**

- To prevent malfunction or damage, note the following points. Read the Flash Memory Owner’s Manual thoroughly. Do not touch the terminals by hand or metal. Do not subject Flash Memory to excessive shock. Do not bend, drop, disassemble, modify or soak in the water.
- Fix the Flash Memory in a location where driver operation will not be hindered.
- Flash Memory may not function correctly at high or low temperature.
- Use only certified Flash Memory. Please pay attention that even certified Flash Memory, may not function correctly depending on its type or state.
- Flash Memory function is not guaranteed. Use Flash Memory according to the terms of agreement.
- Depending on the settings of the Flash Memory type, memory state or encoding software, the unit may not play back or display properly.
- A file that is copy-protected (copyright protection) cannot be played back.
- Flash Memory may take time to start playback. If there is a particular file other than audio in the Flash Memory, it may take considerable time before the file is played back or searched.
- The unit can play back “mp3” or “wma” file extensions.
- Do not add the above extensions to a file other than audio data. This non-audio data will not be recognised. The resulting playback may contain noise that can damage speakers and/or amplifiers.
- It is recommended to back up important data on a personal computer.
- Do not remove the USB device while playback is in progress. Change SOURCE to something other than USB, then remove the USB device to prevent possible damage to its memory.

- *iPhone, iPod, iPod classic, iPod nano, and iPod touch are trademarks of Apple Inc., registered in the U.S. and other countries.*
- *“Made for iPod,” and “Made for iPhone,” mean that an electronic accessory has been designed to connect specifically to iPod, or iPhone, respectively, and has been certified by the developer to meet Apple performance standards. Apple is not responsible for the operation of this device or its compliance with safety and regulatory standards. Please note that the use of this accessory with iPod, or iPhone may affect wireless performance.*
- *The BLUETOOTH® word mark and logos are registered trademarks owned by the Bluetooth SIG, Inc. and any use of such marks by Alpine Electronics, Inc. is under licence.*
- *Sirius, XM and all related marks and logos are trademarks of Sirius XM Radio Inc. All rights reserved.*
- *Windows Media and the Windows logo are trademarks, or registered trademarks of Microsoft Corporation in the United States and/or other countries.*
- *MPEG Layer-3 audio coding technology licensed from Fraunhofer IIS and Thomson. Supply of this product only conveys a licence for private, non-commercial use and does not convey a licence nor imply any right to use this product in any commercial (i.e. revenue-generation) real time broadcasting (terrestrial, satellite, cable and/or any other media), broadcasting/streaming via internet, intranets and/or other networks or in other electronic content distribution systems, such as pay-audio or audio-on-demand applications. An independent licence for such use is required. For details, please visit <http://www.mp3licensing.com>*
- *© 2012 Nokia. All rights reserved. Nokia and Works with Nokia are trademarks or registered trademarks of Nokia Corporation.*



# Getting Started



\* The illustration is for CDE-SXM145BT/CDE-143BT.

## Accessory List

• Head Unit .....	1
• Power Cable .....	1
• Microphone .....	1
• Mounting Sleeve .....	1
• Carrying Case* .....	1
• Bracket Key .....	2
• Screw (M5 × 8) .....	4
• Owner's Manual .....	1 set

\* It is for CDE-SXM145BT/CDE-143BT.

## Turning Power On and Off

Press **SOURCE/⏻** to turn on the unit.

### Note

- The unit can be turned on by pressing any other button except **▲** and **△** (Release).

Press and hold **SOURCE/⏻** for at least 2 seconds to turn off the unit.

### Note

- The first time power is turned on, the volume will start from level 12.

## Source Selection

Press **SOURCE/⏻** to change the source.

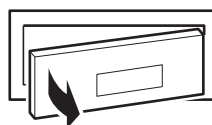
TUNER → SIRIUSXM\*<sup>1</sup> → DISC\*<sup>2</sup> → USB AUDIO/iPod\*<sup>3</sup> → BT AUDIO\*<sup>4</sup> → AUXILIARY\*<sup>5</sup> → TUNER

- \*<sup>1</sup> Displayed only when a siriusXM Tuner is connected. (CDE-SXM145BT only).
- \*<sup>2</sup> Only for CDE-SXM145BT/CDE-143BT.
- \*<sup>3</sup> Only when the iPod/iPhone is connected.
- \*<sup>4</sup> Only when BT IN is set to ON. Refer to "Setting the BLUETOOTH Connection (BT IN)" on page 23.
- \*<sup>5</sup> Only when AUX SETUP is set to ON. Refer to "Setting the AUX SETUP mode" on page 21.

## Detaching and Attaching the Front Panel

### Detaching

- 1 Turn off the unit power.
- 2 Press **▲** (Release) at the lower left side until the front panel pops out.
- 3 Grasp the left side of the front panel and pull it out.

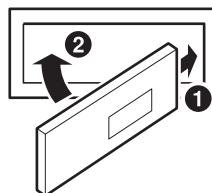


### Notes

- The front panel may become hot in normal usage (especially the connector terminals on the back of the front panel). This is not a malfunction.
- To protect the front panel, place it in the supplied carrying case (CDE-SXM145BT/CDE-143BT only).
- When detaching the front panel, do not apply excessive force as it may result in malfunction.

### Attaching

- 1 Insert the right side of the front panel into the main unit. Align the groove on the front panel with the projections on the main unit.
- 2 Push the left side of the front panel until it locks firmly into the main unit.



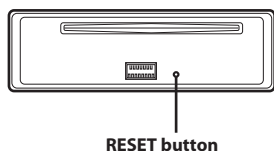
### Notes

- Before attaching the front panel, make sure that there is no dirt or dust on the connector terminals and no foreign object between the front panel and the main unit.
- Attach the front panel carefully, holding the sides of the front panel to avoid pushing buttons by mistake.

## Initial System Start-Up

Be sure to press the **RESET** button when using the unit for the first time, after changing the car battery, etc.

- 1 Turn off the unit power.
- 2 Remove the detachable front panel.
- 3 Press **RESET** with a ballpoint pen or similar pointed object.



## Adjusting Volume

Turn the **Rotary encoder** until the desired sound is obtained.

## Setting Time

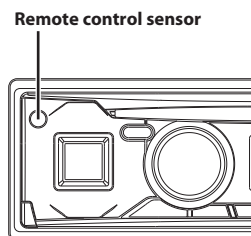
- 1 Press and hold **AUDIO/SETUP** for at least 2 seconds to activate the **SETUP** selection mode.
- 2 Turn the **Rotary encoder** to select **GENERAL**, and then press **Q/ENTER**.  
AUDIO ↔ GENERAL ↔ DISPLAY ↔ TUNER ↔ SIRIUSXM\* ↔ iPod  
↔ BLUETOOTH
- 3 Turn the **Rotary encoder** to select the **CLOCK ADJ** mode, and then press **Q/ENTER**.  
The time indication will blink.
- 4 Turn the **Rotary encoder** to adjust the hours while the time indication is blinking.
- 5 When the hour has been adjusted, press **Q/ENTER**.
- 6 Turn the **Rotary encoder** to adjust the minutes while the time indication is blinking.
- 7 Press and hold **AUDIO/SETUP** for at least 2 seconds to return to normal mode.

### Notes

- To synchronize the clock to another clock/watch or radio time announcement, press and hold **Q/ENTER** for at least 2 seconds after setting the "hour". Minutes will reset to "00". If the display shows over "30" minutes when you do this, the time will advance one hour.
- Pressing **↩** will return to the previous mode.
- Pressing and holding **↩** for at least 2 seconds will return to normal mode.
- If no operation is performed for 60 seconds, the unit will return to normal mode automatically.

### Controllable with Remote Control

This unit can be controlled with an optional Alpine remote control. For details, consult your Alpine dealer. Point the optional remote control transmitter at the remote-control sensor.

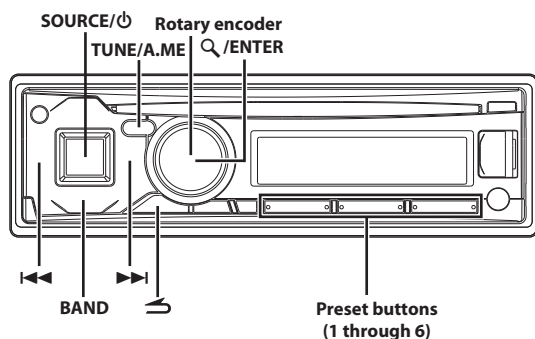


\* The illustration is for CDE-SXM145BT/CDE-143BT.

### Connectable to Remote Control Interface Box

With an optional Alpine Steering Wheel Remote Control Interface Box (not included), this unit is controllable from the vehicles steering wheel controls. For details, contact your Alpine dealer.

# Radio



\* The illustration is for CDE-SXM145BT/CDE-143BT.

## Listening to Radio

- 1 Press **SOURCE/⏻** to select TUNER mode.
- 2 Press **BAND** repeatedly until the desired radio band is displayed.  
F1 (FM1) → F2 (FM2) → AM → F1 (FM1)
- 3 Press **TUNE/A.ME** to select the tuning mode.  
SEEK DX (Distance mode) → SEEK LOCAL (Local mode) → MANUAL (Manual mode) → SEEK DX

### Note

- The initial mode is Distance mode.

### Distance mode:

Both strong and weak stations will be automatically tuned in (Automatic Seek Tuning).

### Local mode:

Only strong stations will be automatically tuned in (Automatic Seek Tuning).

### Manual mode:

The frequency is manually tuned in steps (Manual tuning).

- 4 Press **◀◀** or **▶▶** to tune in the desired station.  
In Manual mode, holding down **◀◀** or **▶▶** will change the frequency continuously.

## Presetting Stations Manually

- 1 Select the radio band and tune in a desired radio station you wish to store in the preset memory.
- 2 Press and hold, for at least 2 seconds, any one of the **preset buttons (1 through 6)** into which you wish to store the station.  
The selected station is stored.  
The display shows the band, preset number and station frequency memorized.

### Notes

- A total of 18 stations can be stored in the preset memory (6 stations for each band; FM1, FM2 and AM).

- If you store a station in a preset memory which already has a station, the current station will be cleared and replaced with the new station.

## Presetting Stations Automatically

- 1 Press **BAND** repeatedly until the desired radio band is displayed.
- 2 Press and hold **TUNE/A.ME** for at least 2 seconds.  
The frequency on the display continues to change while the automatic memory is in progress. The tuner will automatically seek and store 6 strong stations in the selected band. They will be stored into preset buttons 1 to 6 in order of signal strength. When the automatic memory has been completed, the tuner goes to the station stored in preset location No.1.

### Note

- If no stations are stored, the tuner will return to the original station you were listening to before the auto memory procedure began.

## Tuning to Preset Stations

- 1 Press **BAND** repeatedly until the desired band is displayed.
- 2 Press any one of the **station preset buttons (1 through 6)** that has your desired radio station in memory.  
The display shows the band, preset number and frequency of the station selected.

## Frequency Search Function

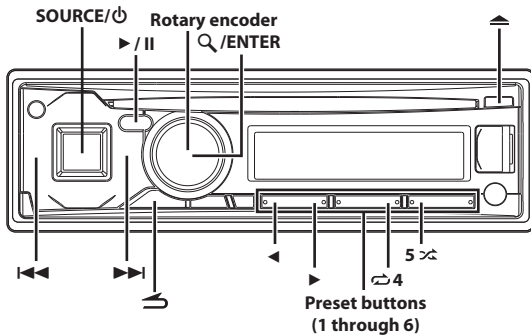
You can search for a radio station by its frequency.

- 1 Press **Q/ENTER** in Radio mode to activate Frequency search mode.  
The "Q" indicator lights up.
- 2 Turn the **Rotary encoder** to select the desired frequency.
- 3 Press **Q/ENTER** to receive the selected frequency.

### Note

- Press **↵** in the search mode to cancel. Or, the search mode will be canceled if no operation is performed for 60 seconds.

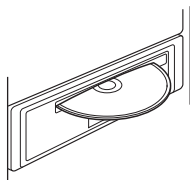
# CD/MP3/WMA (CDE-SXM145BT/ CDE-143BT only)



\* The illustration is for CDE-SXM145BT/CDE-143BT.

## Playback

- 1 **Insert a disc with the label side facing up.**  
The disc will be pulled into the unit automatically.



### Note

- When a disc is already inserted, press **SOURCE/⏻** to switch to the DISC mode.

- 2 **While playing back MP3/WMA, press ◀ or ▶ to select the desired folder.**  
Pressing and holding ◀ or ▶ will change folders continuously.
- 3 **Press I◀◀ or ▶▶I to select the desired track (file).**  
Pressing and holding I◀◀ or ▶▶I will fast backward/fast forward track continuously.
- 4 **To pause playback, press ▶/II.**  
Pressing ▶/II again will resume playback.
- 5 **To eject the disc, press ▲.**

### Notes

- Do not remove a CD during its eject cycle. Do not load more than one disc at a time. A malfunction may result from doing either.
- The "Ⓢ" indicator lights up when a disc is inserted.
- Three-inch (8 cm) CDs cannot be used.
- Any file protected by DRM (Digital Rights Management) copy protection, cannot be played back on this unit.
- The track display for MP3/WMA data playback is the file numbers recorded on the disc.

- The playback time may not be correctly displayed when a VBR (Variable Bit Rate) recorded file is played back.
- During CD/MP3/WMA playback, press ⏪, and then you can quickly return to the hierarchy level selected last time in the search mode.

## Repeat Play

- 1 **Press ⏮ 4.**  
The song is played back repeatedly.  
RPT ONE\*<sup>1</sup> → RPT FOLDER\*<sup>2</sup> → RPT OFF → RPT ONE  
\*<sup>1</sup> Only a track/file is repeatedly played back.  
\*<sup>2</sup> Only files in a folder are repeatedly played back. (MP3/WMA mode only)
- 2 **To cancel repeat play, select RPT OFF with the above procedure.**

## M.I.X. (Random Play)

- 1 **Press 5 ⏮.**  
The songs are played back in random sequence.  
MIX FOLDER\*<sup>1</sup> → MIX ALL\*<sup>2</sup>/<sup>3</sup> → MIX OFF → MIX FOLDER  
\*<sup>1</sup> Only files in a folder are played back in random sequence. (MP3/WMA mode)  
\*<sup>2</sup> The tracks/files in the disc are played back in random sequence.  
\*<sup>3</sup> In the USB mode, all files stored in the Flash Memory are played back in random sequence.
- 2 **To cancel M.I.X. play, select MIX OFF with the above procedure.**

## Searching for CD Text

On discs utilizing CD Text, songs can be searched and played by using their recorded titles. For discs without CD Text, searches are made using the track numbers associated with each song.

- 1 **Press Q/ENTER during play.**  
This will set the search mode, and the "Q" indicator lights up.
- 2 **Turn the Rotary encoder to select the desired track, and then press Q/ENTER.**  
This will play the selected track.

### Notes

- Press ⏪ in the search mode to cancel. Or, the search mode is canceled if no operation is performed for 60 seconds.
- When CD Text Search is made during M.I.X. play, the M.I.X. play mode will be canceled.
- If any one of the **preset buttons (1 through 6)** is pressed in the search mode, a search can be made quickly by skipping to the specified location. For details, refer to "Direct Search Function" on page 31.

## Folder/File Name Search (concerning MP3/WMA)

Folder and file names may be searched and displayed during playback.

### Folder Name Search mode

- 1 During MP3/WMA playback, press **Q** / **ENTER** to activate the search mode.  
The “Q” indicator lights up.
- 2 Turn the **Rotary encoder** to select Folder Name Search mode, and then press **Q** / **ENTER**.
- 3 Turn the **Rotary encoder** to select the desired folder.
- 4 Press and hold **Q** / **ENTER** for at least 2 seconds to play back the first file in the selected folder.

#### Notes

- If any one of the **preset buttons (1 through 6)** is pressed in the Folder Name search mode, a search can be made quickly by skipping to the specified location. For details, refer to “Direct Search Function” on page 31.
- Press and hold **↵** for at least 2 seconds in the search mode to cancel. Or, the search mode is canceled if no operation is performed for 60 seconds.
- To search for files in the Folder Name Search mode, press **Q** / **ENTER**. Files in the folder may be searched.
- Press **↵** to exit Folder Name Search mode in step 3 in order to select File Name Search mode.
- The root folder is displayed as “\ROOT”.
- When Folder Name Search is made during M.I.X. play, the M.I.X. play mode will be canceled.

### File Name Search mode

- 1 During MP3/WMA playback, press **Q** / **ENTER** to activate the search mode.  
The “Q” indicator lights up.
- 2 Turn the **Rotary encoder** to select File Name Search mode, and then press **Q** / **ENTER**.
- 3 Select the desired file by turning the **Rotary encoder**.
- 4 Press **Q** / **ENTER** to play back the selected file.

#### Notes

- If any one of the **preset buttons (1 through 6)** is pressed in the File Name search mode, a search can be made quickly by skipping to the specified location. For details, refer to “Direct Search Function” on page 31.
- Press and hold **↵** for at least 2 seconds in the search mode to cancel. Or, the search mode is canceled if no operation is performed for 60 seconds.
- Press **↵** in the search mode to return to the previous mode.
- When File Name Search is made during M.I.X. play, the M.I.X. play mode will be canceled.

## Search Position Memory

During playback, you can quickly return to the last-selected hierarchy level in the search mode.

Press **↵**.

The hierarchy you selected last in the search mode is displayed.

## About MP3/WMA

### CAUTION

**Except for private use, duplicating audio data (including MP3/WMA data) or distributing, transferring, or copying it, whether for free or for a fee, without permission of the copyright holder is strictly prohibited by the Copyright Act and by international treaty.**

#### What is MP3?

MP3, whose official name is “MPEG Audio Layer 3,” is a compression standard prescribed by the ISO, the International Standardization Organization and MPEG which is a joint activity institution of the IEC. MP3 files contain compressed audio data. MP3 encoding is capable of compressing audio data at extremely high ratios, reducing the size of music files to as much as one-tenth their original size. This is achieved while still maintaining near CD quality. The MP3 format realizes such high compression ratios by eliminating the sounds that are either inaudible to the human ear or masked by other sounds.

#### What is WMA?

WMA, or “Windows Media™ Audio,” is compressed audio data. WMA is similar to MP3 audio data.

#### Method for creating MP3/WMA files

Audio data is compressed using software with MP3/WMA codecs. For details on creating MP3/WMA files, refer to the user’s manual for that software.

MP3/WMA files that are playable on this device have the file extensions “mp3” / “wma”. Files with no extension cannot be played back (WMA ver. 7.1, 8 and 9 are supported).

#### Supported playback sampling rates and bit rates

##### MP3

Sampling rates: 48 kHz, 44.1 kHz, 32 kHz, 24 kHz, 22.05 kHz, 16 kHz, 12 kHz, 11.025 kHz, 8 kHz

Bit rates: 8 - 320 kbps

##### WMA

Sampling rates: 48 kHz, 44.1 kHz, 32 kHz

Bit rates: 32 - 192 kbps

This device may not play back correctly depending on sampling rates.

#### ID3 tags/WMA tags

This device supports ID3 tag v1 and v2, and WMA tag. If tag data is in an MP3/WMA file, this device can display the title (track title), artist name, and album name ID3 tag/WMA tag data. This device can only display single-byte alphanumeric characters (up to 30 for ID3 tags and up to 15 for WMA tags) and the underscore. For non-supported characters, “NO SUPPORT” is displayed. If information contains characters other than ID3 tag information, the audio file may not be played back. The tag information may not be correctly displayed, depending on the contents.

#### Producing MP3/WMA discs

MP3/WMA files are prepared, then written to a CD-R or CD-RW using CD-R writing software. A disc can hold up to 255 files/folders (including Root Folders), and the maximum number of folders is 255. Playback may not be performed if a disc exceeds the limitations described above.

### Media supported

The media that this device can play back are CD-ROMs, CD-Rs, and CD-RWs.

### Corresponding File Systems

This device supports discs formatted with ISO9660 Level 1 or Level 2. Under the ISO9660 standard, there are some restrictions to remember. The maximum nested folder depth is 8 (including the root directory). The number of characters for a folder/file name is limited. Valid characters for folder/file names are letters A-Z (all caps), numbers 0-9, and '\_' (underscore).

This device also can play back discs in Joliet, Romeo, etc., and other standards that conform to ISO9660. However, sometimes the file names, folder names, etc., are not displayed correctly.

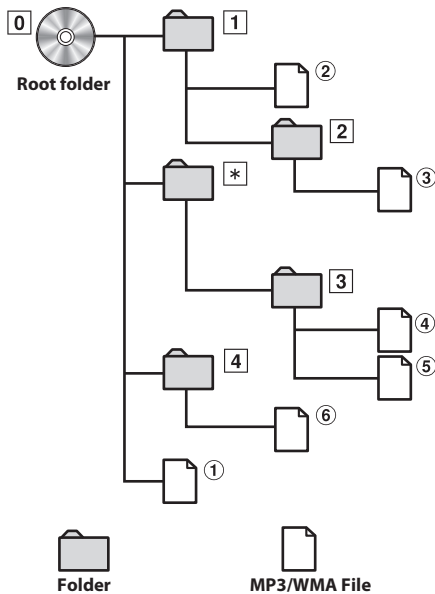
### Formats supported

This device supports CD-ROM XA, Mixed Mode CD, Enhanced CD (CD-Extra) and Multi-Session.

This device cannot correctly play back discs recorded with Track At Once or packet writing.

### Order of files

Files are played back in the order that the writing software writes them to the disc. Therefore, the playback order may not be what is expected. Verify the writing order in the software's documentation. The playback order of the folders and files is as follows.



\* The folder No./ folder Name will not be displayed if no readable file is contained in the folder.

## Terminology

### Bit rate

This is the "sound" compression rate specified for encoding. The higher the bit rate, the higher the sound quality, but also the larger the files.

### Sampling rate

This value shows how many times per second the data is sampled (recorded). For example, music CDs use a sampling rate of 44.1 kHz, so the sound is sampled (recorded) 44,100 times per second. The higher the sampling rate, the higher the sound quality, but also the larger the volume of data.

### Encoding

Converting music CDs, WAVE (AIFF) files, and other sound files into the specified audio compression format.

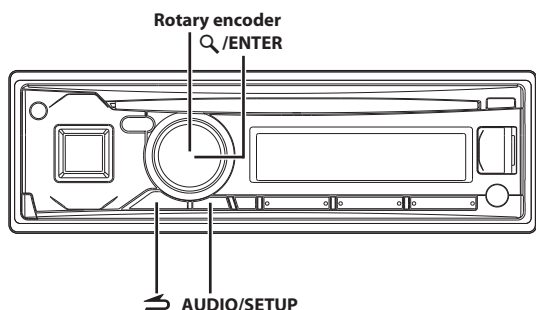
### Tag

Song information such as track titles, artist names, album names, etc., written into MP3/WMA files.

### Root folder

The root folder (or root directory) is found at the top of the file system. The root folder contains all folders and files. It is created automatically for all burned discs.

# Sound Setting



\* The illustration is for CDE-SXM145BT/CDE-143BT.

## Adjusting Subwoofer Level/Bass Level/Mid Level/Treble Level/Balance (Between Left and Right)/Fader (Between Front and Rear)/Defeat

- 1 Press **AUDIO/SETUP** repeatedly to choose the desired mode.

Each press changes the mode as follows:

SUBWOOFER\*<sup>1</sup> → BASS LEVEL\*<sup>2</sup> → MID LEVEL\*<sup>2</sup> → TRE LEVEL\*<sup>2</sup> → BALANCE → FADER → DEFEAT → VOLUME → SUBWOOFER

\*1 When the SUBWOOFER mode is set to SUBW OFF, its level cannot be adjusted.

\*2 Adjustable only when DEFEAT is DEFEAT OFF.

Subwoofer	+0 ~ +15
Bass level	-7 ~ +7
Mid level	-7 ~ +7
Treble level	-7 ~ +7
Balance	L15 ~ R15
Fader	R15 ~ F15
Defeat	ON/OFF
Volume	0 ~ 35

### Note

- If no operation is performed for 5 seconds, the unit automatically returns to normal mode.

- 2 Turn the **Rotary encoder** until the desired sound is obtained in each mode.

By setting DEFEAT ON, previously adjusted settings of BASS, MID and TRE LEVEL will return to the factory defaults.

## Audio Setup

You can flexibly customize the unit to suit your own preference and usage. From the AUDIO SETUP menu, Audio Setting can be modified.

**Use steps 1 to 5 to select one of the setting modes to modify. See the applicable section below for details about the selected setting item.**

- 1 Press and hold **AUDIO/SETUP** for at least 2 seconds to activate the **SETUP** mode.
- 2 Turn the **Rotary encoder** to select **AUDIO**, and then press **Q/ENTER**.  
AUDIO ↔ GENERAL ↔ DISPLAY ↔ TUNER ↔ SIRIUSXM\*<sup>1</sup> ↔ iPod ↔ BLUETOOTH  
\*1 Displayed only when a siriusXM Tuner is connected.(CDE-SXM145BT only).
- 3 Turn the **Rotary encoder** to select the desired sound setting menu, and then press **Q/ENTER**.  
FACTORY EQ\*<sup>2/3</sup> ↔ 3BAND EQ\*<sup>2/4</sup> ↔ VOL LV ADJ ↔ HPF\*<sup>2</sup> ↔ SUBWOOFER ↔ SUBW LFP\*<sup>2/5</sup> ↔ SUBW PHASE\*<sup>5</sup> ↔ SUBW SYS\*<sup>5</sup> ↔ POWER IC ↔ MX SETTING\*<sup>2</sup>  
(e.g. Select SUBWOOFER)  
\*2 Adjustment cannot be performed when DEFEAT is set to ON.  
\*3 Any changes made to either FACTORY EQ or 3BAND EQ are reflected in the others' settings.  
\*4 In step 3, three sound adjustment items (Bass, Mid and Treble) can be selected in 3BAND EQ mode. Turn the **Rotary encoder** to select the desired item, and then press **Q/ENTER** to continue to step 4.  
\*5 These functions are inoperable when SUBWOOFER is set to SUBW OFF.
- 4 Turn the **Rotary encoder** to change the setting, and then press **Q/ENTER**.  
(e.g. Select SUBW ON or SUBW OFF)
- 5 Press and hold **AUDIO/SETUP** for at least 2 seconds to return to normal mode.

### Notes

- Pressing **↶** returns to the previous Sound menu mode.
- Pressing and holding **↶** for at least 2 seconds will return to normal mode.
- If no operation is performed for 60 seconds, Sound menu mode is canceled.

## Equalizer Presets (F-EQ)

10 typical equalizer settings are preset at the factory for a variety of musical source material. USER settings are created in the 3BAND EQ mode.

### Setting item: FACTORY EQ

#### Setting contents:

USER / FLAT (Initial setting) / POPS / ROCK / NEWS / JAZZ / ELEC DANCE / HIP HOP / EASY LIS / COUNTRY / CLASSICAL

## Adjusting the Parametric Equalizer Curve (3BAND EQ)

You can modify the Equalizer settings to create a response curve more appealing to your personal taste. The setting of Bass, Mid and Treble can be adjusted in this mode.

■ **Setting item:** 3BAND EQ

■ **Further setting items:** BASS / MID / TREBLE

### Setting the Bass Control

1 After selecting BASS from the 3BAND EQ adjustment mode, turn the **Rotary encoder** to select the desired Bass setting item, and then press **Q / ENTER**.

WIDTH (Q) ↔ CENTER FRQ ↔ LEVEL

2 Turn the **Rotary encoder** to select the desired setting value, and then press **Q / ENTER**.

3 Press **↶** to return to the previous step.

■ **Setting the Bass Bandwidth (WIDTH (Q))**

Turn the **Rotary encoder** to select the desired bass bandwidth.

WIDE 0.50 ↔ MEDIUM 1.00 ↔ MEDIUM 1.50 ↔ NARROW 2.00

Changes the boosted bass bandwidth to wide or narrow. A wider setting will boost a wide range of frequencies above and below the center frequency. A narrower setting will boost only frequencies near the center frequency.

■ **Setting the Bass Center Frequency (CENTER FRQ)**

Turn the **Rotary encoder** to select the desired bass center frequency.

60 (Hz) ↔ 80 (Hz) ↔ 100 (Hz) ↔ 120 (Hz)

Emphasises the displayed bass frequency ranges.

■ **Setting the Bass Level**

Turn the **Rotary encoder** to select the desired bass level (-7 ~ +7)\*.

You can emphasise or weaken the bass level.

\* The adjustment can also be made by pressing **AUDIO**. Refer to "Adjusting Subwoofer Level/Bass Level/Mid Level/Treble Level/Balance (Between Left and Right)/Fader (Between Front and Rear)/Defeat" on page 15.

### Setting the Mid Control

1 After selecting MID from the 3BAND EQ adjustment mode, turn the **Rotary encoder** to select the desired setting item, and then press **Q / ENTER**.

WIDTH (Q) ↔ CENTER FRQ ↔ LEVEL

2 Turn the **Rotary encoder** to select the desired setting value, and then press **Q / ENTER**.

3 Press **↶** to return to the previous step.

■ **Setting the Mid Bandwidth (WIDTH (Q))**

Turn the **Rotary encoder** to select the desired Mid bandwidth.

WIDE 0.75 ↔ MEDIUM 1.00 ↔ MEDIUM 1.25 ↔ NARROW 1.50

■ **Setting the Mid Center Frequency (CENTER FRQ)**

Turn the **Rotary encoder** to select the desired Mid center frequency.

500 (Hz) ↔ 1.0K (Hz) ↔ 1.5K (Hz) ↔ 2.5K (Hz)

■ **Setting the Mid Level**

Turn the **Rotary encoder** to select the desired Mid level (-7 ~ +7)\*.

You can emphasise or weaken the Mid level.

\* The adjustment can also be made by pressing **AUDIO**. Refer to "Adjusting Subwoofer Level/Bass Level/Mid Level/Treble Level/Balance (Between Left and Right)/Fader (Between Front and Rear)/Defeat" on page 15.

### Setting the Treble Control

1 After selecting TREBLE from the 3BAND EQ adjustment mode, turn the **Rotary encoder** to select the desired Treble setting item, and then press **Q / ENTER**.

WIDTH (Q) ↔ CENTER FRQ ↔ LEVEL

2 Turn the **Rotary encoder** to select the desired setting value, and then press **Q / ENTER**.

3 Press **↶** to return to the previous step.

■ **Setting the Treble Bandwidth (WIDTH (Q))**

Turn the **Rotary encoder** to select the desired treble bandwidth.

WIDE 0.75 ↔ NARROW 1.25

■ **Setting the Treble Center Frequency (CENTER FRQ)**

Turn the **Rotary encoder** to select the desired treble center frequency.

7.5K (Hz) ↔ 10.0K (Hz) ↔ 12.5K (Hz) ↔ 15.0K (Hz)

■ **Setting the Treble Level**

Turn the **Rotary encoder** to select the desired treble level (-7 ~ +7)\*.

You can emphasise or weaken the treble level.

\* The adjustment can also be made by pressing **AUDIO**. Refer to "Adjusting Subwoofer Level/Bass Level/Mid Level/Treble Level/Balance (Between Left and Right)/Fader (Between Front and Rear)/Defeat" on page 15.



## Setting the Source Volume Level

The output level of each source is individually adjustable. For example, if the TUNER level sounds lower than CD, its output can be adjusted without affecting the other sources.

■ **Setting item:** VOL LV ADJ

■ **Further setting items:** TUNER / SIRIUSXM\*<sup>1</sup> / DISC\*<sup>2</sup> / USB / iPod / BT AUDIO / AUX

**Setting contents:**

-14 dB ~ +14 dB

\*<sup>1</sup> Only for CDE-SXM145BT.

\*<sup>2</sup> Only for CDE-SXM145BT/CDE-143BT.

## Adjusting the High Pass Filter

The High Pass Filter on this unit can be adjusted to suit your personal taste.

■ **Setting item:** HPF

**Setting contents:**

HPF OFF (Initial setting) / HPF 60 (Hz) / HPF 80 (Hz) / HPF 120 (Hz) / HPF 160 (Hz)

All frequencies above the selected cutoff are output.

## Turning Subwoofer ON/OFF

When the subwoofer is on, you can adjust the subwoofer output level (refer to “Adjusting Subwoofer Level/Bass Level/Mid Level/Treble Level/Balance (Between Left and Right)/Fader (Between Front and Rear)/Defeat” on page 15).

■ **Setting item:** SUBWOOFER

**Setting contents:**

SUBW OFF / SUBW ON (Initial setting)

**OFF:**

No subwoofer signal is output from the Subwoofer RCA Connectors (refer to “Connections” on page 44).

**ON:**

The subwoofer signal is output from the Subwoofer RCA Connectors (refer to “Connections” on page 44).

## Adjusting the Low Pass Filter

The Low Pass Filter on this unit can be adjusted to suit your personal taste.

■ **Setting item:** SUBW LPF

**Setting contents:**

LPF OFF (Initial setting) / LPF 60 (Hz) / LPF 80 (Hz) / LPF 120 (Hz) / LPF 160 (Hz)

All frequencies lower than the selected cutoff are output.

## Setting the Subwoofer Phase

The subwoofer output phase is toggled SUBWOOFER NORMAL (0°) or SUBWOOFER REVERSE (180°). To adjust the level, turn the **Rotary encoder**.

■ **Setting item:** SUBW PHASE

**Setting contents:**

NORMAL (Initial setting) / REVERSE

## Setting the Subwoofer System

When the subwoofer is on, you can select either SYS 1 or SYS 2 for the desired subwoofer effect.

■ **Setting item:** SUBW SYS

**Setting contents:**

SUBW SYS 1 / SUBW SYS 2 (Initial setting)

**SUBW SYS 1:**

Subwoofer level changes according to the main volume setting.

**SUBW SYS 2:**

Subwoofer level change is different from the main volume setting. For example, even at low volume settings, the subwoofer is still audible.

## External Device

### Connecting to an External Amplifier (POWER IC)

When an external amplifier is connected, sound quality can be improved by stopping the power supply of the built-in amplifier.

■ **Setting item:** POWER IC

**Setting contents:**

OFF / ON (Initial setting)

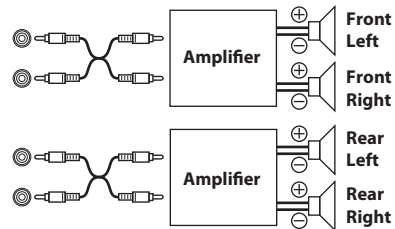
**OFF:**

Use this mode when the line output of this unit is used to drive an external amplifier. In this setting, the head unit's internal amplifier is turned OFF and cannot drive speakers.

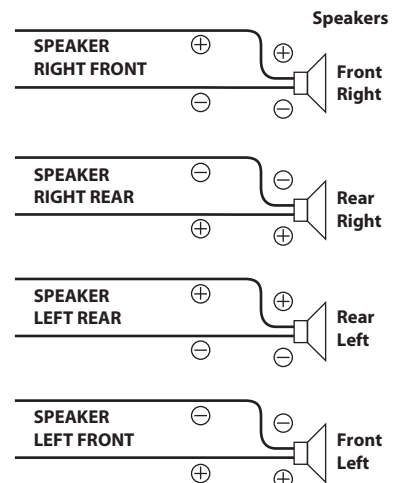
**ON:**

The speakers are driven by the built-in amplifier.

**OFF:**



**ON:**



### Note

- No sound is produced by the system when the power output is set to OFF.

## Setting the MX Level

MX (Media Xpander) makes vocals or instruments sound distinct regardless of the music source. The CD, iPod, etc. will be able to reproduce the music clearly even in cars with a lot of road noise.

### Setting item: MX SETTING

#### Setting contents:

SIRIUSXM<sup>\*1</sup> / FM / CD<sup>\*2</sup> / CMPM<sup>\*2</sup> / USB / iPod / BT AUDIO / AUX

#### FM (LEVEL 1 to 3):

The medium to high frequencies become clearer, and produces well balanced sound at all frequencies.

#### CD<sup>\*2</sup> (LEVEL 1 to 3):

CD mode processes a large amount of data during playback. MX takes advantage of this large data quantity to reproduce a clearer, cleaner output.

#### SIRIUSXM<sup>\*1</sup> / CMPM<sup>\*2</sup> / USB / iPod / BT AUDIO (LEVEL 1 to 3):

This corrects information that was lost at the time of compression. This reproduces a well-balanced sound close to the original.

#### AUX (LEVEL 1 to 3):

Choose the MX mode that corresponds to the media connected.

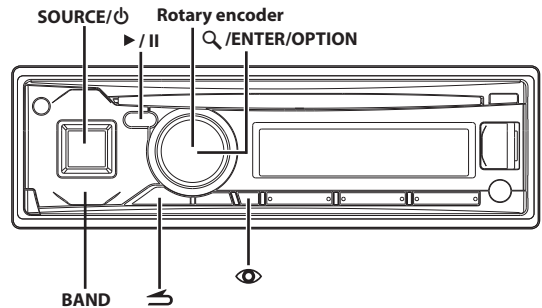
<sup>\*1</sup> CDE-SXM145BT only.

<sup>\*2</sup> CDE-SXM145BT/CDE-143BT only.

### Notes

- Each music source, such as CD and MP3/WMA can have its own MX setting.
- On disks with both MP3/WMA and CD-DA, when the source changes from "MP3/WMA to CD-DA" or "CD-DA to MP3/WMA", MX-mode switching may delay playback slightly.
- Setting to LEVEL OFF sets MX mode of each music source to OFF.
- The function is inoperable when DEFEAT is set to ON.
- There is no MX mode for AM radio.


## Other Functions



\* The illustration is for CDE-SXM145BT/CDE-143BT.

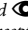
## Displaying the Text

Text information, such as the disc name and the track name, will be displayed if playing a CD text compatible disc. It is also possible to display the folder name, the file name and the tag, etc., while playing MP3/WMA files.

Press .

The display will change every time the button is pressed.

### Note

- When the TEXTSCROLL is set to SCR MANUAL on page 21, press and hold  for at least 2 seconds, the current text will be scrolled one time (except Radio mode).

#### The display in Radio mode:

FREQUENCY → CLOCK → FREQUENCY

#### The display in CD mode (CDE-SXM145BT/CDE-143BT only):

TRACK NO./ELAPSED TIME → TEXT (DISC NAME)<sup>\*1</sup> →

TEXT (TRACK NAME)<sup>\*1</sup> → TRACK NO./CLOCK →

TRACK NO./ELAPSED TIME

#### The display in MP3/WMA mode:

FILE NO./ELAPSED TIME → FOLDER NO./FILE NO. → FOLDER NAME<sup>\*2</sup> → FILE NAME<sup>\*2</sup> → ARTIST NAME<sup>\*3</sup> → ALBUM NAME<sup>\*3</sup> → SONG NAME<sup>\*3</sup> → FILE NO./CLOCK → FILE NO./ELAPSED TIME

#### The display in iPod mode:

TRACK NO./ELAPSED TIME → ARTIST NAME<sup>\*3</sup> → ALBUM NAME<sup>\*3</sup> → SONG NAME<sup>\*3</sup> → TRACK NO./CLOCK → TRACK NO./ELAPSED TIME

#### The display in BLUETOOTH Audio mode:

BT A/ELAPSED TIME<sup>\*4</sup> → ARTIST NAME<sup>\*3</sup> → ALBUM NAME<sup>\*3</sup> → SONG NAME<sup>\*3</sup> → BT A/CLOCK → BT A/ELAPSED TIME

<sup>\*1</sup> Displayed during playback of a disc with CD text. If there is no text (Disc Name or Track Name), "DISC TEXT"/"TRACK TEXT" is displayed.

<sup>\*2</sup> If there is no text (Folder Name or File Name), "FOLDER"/"FILE" is displayed.

<sup>\*3</sup> If an MP3/WMA file contains ID3 tag/WMA tag information, the ID3 tag/WMA tag information is displayed (e.g., song name, artist name, and album name). All other tag data is ignored. If there is no tag information, "ARTIST"/"ALBUM"/"SONG" is displayed.

<sup>\*4</sup> Depending on the connected mobile phone, the elapsed time may not be displayed.

## About "Text"


Text compatible CDs contain text information such as the disc name and track name. Such text information is referred to as "text".

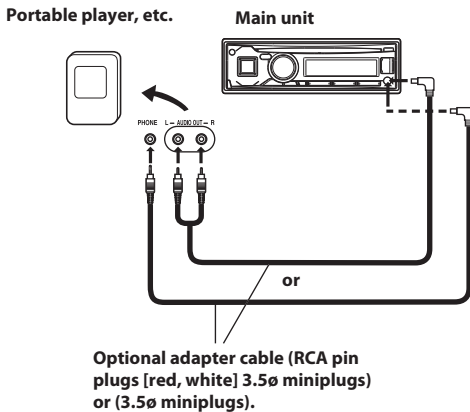
### Notes

- Some characters may not be displayed correctly with this device, depending on the character type.
- "NO SUPPORT" is displayed if text information is not supported by the unit.
- The text or tag information may not be correctly displayed, depending on the contents.

## Using the Front AUX Input Terminal

Connect a portable music player, etc. by simply connecting it to the input on the front panel. An optional adapter cable is required (standard RCA to 3.5 $\phi$  mini-phono plug or 3.5 $\phi$  to 3.5 $\phi$  mini phono plug).

Press **SOURCE/** , and select the **AUXILIARY** mode to listen to the portable device.



### Notes

- This function is available only when **AUX SETUP** is set to **ON**. For details, refer to "Setting the **AUX SETUP** mode" on page 21.
- If a Flash Memory device is directly connected to the Front USB port, the size or shape may interfere with driving operations. Avoid making connections to the **AUX** Input and the **USB** Port at the same time.

## Option Menu Setting

You can quickly adjust the setting items relevant to the current **SOURCE** by using **Option Menu**.

- 1 Press and hold **Q /ENTER/OPTION** for at least 2 seconds to activate the **Option menu** of the current source.

### Note

- The option menu varies depending on the source.

- 2 Turn the **Rotary encoder** to select the desired setting item, and then press **Q /ENTER**.
- 3 Turn the **Rotary encoder** to change the setting, and then press **Q /ENTER**.

After the setting, the display will return to the current source automatically.

### Setting item:

#### TUNER mode:

TUNER SET<sup>\*1</sup>  $\leftrightarrow$  VOL LV ADJ<sup>\*2</sup>  $\leftrightarrow$  MX SETTING<sup>\*3</sup>

#### SiriusXM mode (CDE-SXM145BT Only):

TUNE SCAN<sup>\*4</sup>  $\leftrightarrow$  ALERT MEMO<sup>\*5</sup>  $\leftrightarrow$  SXM SET<sup>\*6</sup>  $\leftrightarrow$  VOL LV ADJ<sup>\*2</sup>  $\leftrightarrow$  MX SETTING<sup>\*3</sup>

#### CD mode (CDE-SXM145BT/CDE-143BT only):

CD SET<sup>\*7</sup>  $\leftrightarrow$  VOL LV ADJ<sup>\*2</sup>  $\leftrightarrow$  MX SETTING<sup>\*3</sup>

#### MP3/WMA (Disc) (CDE-SXM145BT/CDE-143BT only) mode:

CD SET<sup>\*7</sup>  $\leftrightarrow$  VOL LV ADJ<sup>\*2</sup>  $\leftrightarrow$  MX SETTING<sup>\*3</sup>

#### MP3/WMA (USB) mode:

VOL LV ADJ<sup>\*2</sup>  $\leftrightarrow$  MX SETTING<sup>\*3</sup>

#### iPod mode:

APP DIRECT<sup>\*8</sup>  $\leftrightarrow$  iPod SET<sup>\*9</sup>  $\leftrightarrow$  VOL LV ADJ<sup>\*2</sup>  $\leftrightarrow$  MX SETTING<sup>\*3</sup>

#### BT AUDIO mode:

BT SET<sup>\*10</sup>  $\leftrightarrow$  VOL LV ADJ<sup>\*2</sup>  $\leftrightarrow$  MX SETTING<sup>\*3</sup>

#### AUX mode:

AUX SET<sup>\*11</sup>  $\leftrightarrow$  VOL LV ADJ<sup>\*2</sup>  $\leftrightarrow$  MX SETTING<sup>\*3</sup>

#### Phone mode (Non-calling mode):

PHONE SET<sup>\*12</sup>  $\leftrightarrow$  VOL LV ADJ<sup>\*13</sup>

#### Phone mode (Calling mode):

MIC GAIN<sup>\*14</sup>  $\leftrightarrow$  CALL SOUND<sup>\*14</sup>  $\leftrightarrow$  SPK SWITCH<sup>\*15</sup>  $\leftrightarrow$  VOICE MUTE<sup>\*16</sup>  $\leftrightarrow$  CALL WAIT<sup>\*17</sup>  $\leftrightarrow$  END CALL<sup>\*18</sup>  $\leftrightarrow$  VOL LV ADJ<sup>\*13</sup>

\*1 The setting items are the same as **TUNER** setting in **SETUP** mode. For details, refer to "SETUP" on page 20.

\*2 You can individually emphasise or weaken the volume level of the current source to create your own tonal preference. The setting values in **Option mode** and in **SETUP** mode are linkage. Refer to "Setting the Source Volume Level" on page 17.

\*3 Refer to "Setting the **MX Level**" on page 18.

\*4 Refer to "Tune Scan Function" on page 35.

\*5 Refer to "Storing the desired Artist and Song Alerts" on page 34.

\*6 **ALERTSETUP**, **GAME ALERT**, **P-LOCK**, **SIGNAL IND** and **TUNE START** can be selected in this mode. For details about these settings, refer to "SiriusXM Setting (CDE-SXM145BT Only)" on page 32.

\*7 **PLAY MODE** can be selected in this mode. For details, refer to "Playing MP3/WMA Data (PLAY MODE) (CDE-SXM145BT/CDE-143BT only)" on page 21.

\*8 Refer to "Setting the iPod Control" on page 30.

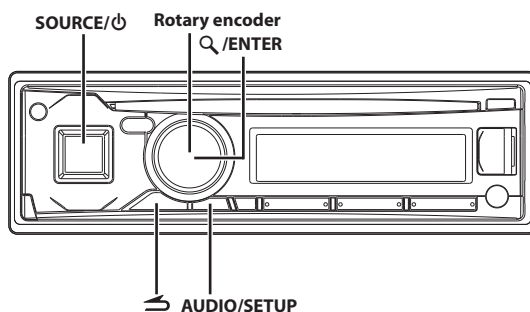
\*9 The setting items are the same as **iPod** setting in **SETUP** mode. For details, refer to "iPod/iPhone Setting" on page 22.

- \*10 FW VERSION can be selected in this mode. You can see the current firmware version about BLUETOOTH by using this setting.
- \*11 AUX NAME can be selected in this mode. For details, refer to "Setting the AUX NAME mode" on page 21.
- \*12 CALL SOUND, CALLER ID, PB UPDATE, PB ORDER, AUTO ANS, SPEAKER SL and FW VERSION can be selected in this mode. For details about these settings, refer to "BLUETOOTH SETUP" on page 23.
- \*13 The Hands free phone talk level, ring tone level and microphone gain level can be adjusted by using this setting. Changing the settings in the Option mode will also affect the same settings in the SETUP menu. Refer to "Adjusting the volume (VOL LV ADJ)" on page 24.
- \*14 Refer to "Setting the BLUETOOTH sound quality" on page 24.
- \*15 While calling, the call sound can be switched between the unit and mobile phone by using this setting. This operation can also be done by pressing **BAND**. Refer to "Call Switching Operation" on page 27.
- \*16 While calling, and the Voice Mute is activated, the microphone input will mute instantly and "VOICE MUTE" will blink. This operation can also be done by pressing **▶/II**. Refer to "Muting the microphone input quickly (Voice Mute)" on page 27.
- \*17 If there is a waiting call, select this item to display the caller's Name and waiting number (1 or 2). Press **Q** and the display will switch.
- \*18 Select this item to hang up the call.

#### Notes

- Press **↶** to return to the previous mode.
- Pressing and holding **↶** for at least 2 seconds will return to normal mode.
- If no operation is performed for 60 seconds, the unit will return to normal mode automatically.

## SETUP



\* The illustration is for CDE-SXM145BT/CDE-143BT.

## Setting

You can flexibly customize the unit to suit your own preferences and usage. From the SETUP menu, GENERAL Setting, DISPLAY Setting, etc., can be modified.

**Use steps 1 to 5 to select one of the SETUP modes to modify. See the applicable section below for details about the selected SETUP item.**

- 1** Press and hold **AUDIO/SETUP** for at least 2 seconds to activate the SETUP mode.
- 2** Turn the **Rotary encoder** to select the desired item, and then press **Q/ENTER**.  
 (e.g. Select GENERAL)  
 AUDIO<sup>\*1</sup> ↔ GENERAL ↔ DISPLAY ↔ TUNER ↔ SIRIUSXM<sup>\*2</sup> ↔ iPod ↔ BLUETOOTH<sup>\*3</sup>  
**GENERAL:**  
 CLOCK ADJ<sup>\*4</sup> ↔ AUX SETUP<sup>\*5</sup> ↔ AUX NAME<sup>\*6</sup> ↔ PLAY MODE<sup>\*7</sup> ↔ DEMO  
**DISPLAY:**  
 DIMMER ↔ TEXTSCROLL ↔ SCROLLTYPE  
**TUNER:**  
 FM SET  
**iPod:**  
 iPod LIST  
 \*1 Refer to "Audio Setup" on page 15.  
 \*2 Displayed only when a SiriusXM Tuner is connected. For details, refer to "SiriusXM Setting (CDE-SXM145BT Only)" on page 32. (CDE-SXM145BT Only)  
 \*3 Refer to "BLUETOOTH SETUP" on page 23.  
 \*4 Refer to "Setting Time" on page 10.  
 \*5 Not displayed when the current source is AUXILIARY.  
 \*6 Displayed only when AUX SETUP is set to ON.  
 \*7 CDE-SXM145BT/CDE-143BT only.
- 3** Turn the **Rotary encoder** to select a setting item, and then press **Q/ENTER**.  
 (e.g. Select AUX SETUP)
- 4** Turn the **Rotary encoder** to change the setting, and then press **Q/ENTER**.  
 (e.g. Select AUX ON or AUX OFF.)

- 5** Press and hold **AUDIO/SETUP** for at least 2 seconds to return to normal mode.

#### Notes

- Press **↶** to return to the previous mode.
- Pressing and holding **↶** for at least 2 seconds will return to normal mode.
- If no operation is performed for 60 seconds, the unit will return to normal mode automatically.

## General Setting

GENERAL is selected on the setup main menu in step 2.

### Setting the AUX SETUP mode

You can input the audio of an external device, (such as a Portable audio player) to the AUX connector of this unit.

#### Setting item: AUX SETUP

##### Setting contents:

AUX OFF / AUX ON (Initial setting)

##### AUX OFF:

When set to OFF, AUX source cannot be selected.

##### AUX ON:

Set to ON when a portable device is connected. If **SOURCE/⊕** is pressed and AUX is selected, the sound of the portable device is input to the unit.

### Setting the AUX NAME mode

You can change the AUX NAME display in the SETUP mode.

#### Setting item: AUX NAME

##### Setting contents:

AUXILIARY (Initial setting) / TV / DVD / PORTABLE / GAME

#### Note

- *PORTABLE is abbreviated as PMD in the display.*

### Playing MP3/WMA Data (PLAY MODE) (CDE-SXM145BT/CDE-143BT only)

This unit can play back CDs containing both CD and MP3/WMA data (created in Enhanced CD (CD Extra) format). However, in some situations, playback of an enhanced CD may be difficult. In this case, you can select playback of a single session only, containing the CD data. When a disc contains both CD and MP3/WMA data, playback starts from the CD data portion of the disc.

#### Setting item: PLAY MODE

##### Setting contents:

CD-DA / CDDA/MP3 (Initial setting)

##### CD-DA:

Only the CD data in Session 1 can be played back.

##### CDDA/MP3:

CD data, MP3/WMA files in mixed mode, and multi-session discs can be played back.

#### Note

- *Perform this setting before inserting a disc. If a disc has already been inserted, remove it first.*

## Demonstration

This unit has a demonstration feature for the display.

#### Setting item: DEMO

##### Setting contents:

DEMO OFF (Initial setting) / DEMO ON

##### Note

- *To quit Demo mode, set to DEMO OFF.*

## Display Setting

DISPLAY is selected on the setup main menu in step 2.

### Dimmer Control

Set the Dimmer control to AUTO to decrease the illumination brightness of the unit with the head lights of the vehicle ON. This mode decreases the unit's backlighting at a certain extent at night.

#### Setting item: DIMMER

##### Setting contents:

DIM MANUAL / DIM AUTO (Initial setting)

### Scroll Setting (TEXTSCROLL)

This CD player can scroll the disc and track names recorded on CD-TEXT discs, as well as the text information of MP3/WMA files, folder names, and tags.

#### Setting item: TEXTSCROLL

##### Setting contents:

SCR MANUAL (Initial setting) / SCR AUTO

##### SCR MANUAL:

The above information is scrolled only when a disc is loaded, a channel or track is changed, etc.

##### SCR AUTO:

CD text information, folder and file names, and the tag information are scrolled continuously.

#### Note

- *In parts of the display, scrolling may not occur, or scroll content may differ.*

### Scroll Type Setting

Choose from two scrolling methods.

Select the type you prefer.

#### Setting item: SCROLLTYPE

##### Setting contents:

SCR TYPE 1 / SCR TYPE 2 (Initial setting)

##### SCR TYPE 1:

The characters scroll from right to left, one character at a time, until the entire title has scrolled.

##### SCR TYPE 2:

Words are built up from left to right, a single character at a time. When the display is full, it is cleared and the subsequent words are displayed the same way until all words of the title have been shown.

## Tuner Setting

TUNER is selected on the setup main menu in step 2.

### Setting the TUNER (FM) tone quality

This unit can set your preferred tone quality for FM radio source.

#### Setting item: FM SET

##### Setting contents:

HI-FI / NORMAL (Initial setting) / STABLE

##### HI-FI:

High-quality setting

##### NORMAL:

Standard setting

##### STABLE:

Control noise

#### Note

- Noise may be more noticeable when HI-FI is set, depending on the reception status. In this case, the NORMAL setting is recommended.

## iPod/iPhone Setting

"iPod" is selected on the setup main menu in step 3.

### iPod/iPhone Search Mode Setting

The unit allows you to search for the iPod/iPhone using nine different search modes.

#### Setting item: iPod LIST

#### Further setting items: PLAYLISTS / ARTISTS / ALBUMS / AUDIOBOOKS / PODCASTS / GENRES / COMPOSERS / SONGS / GENIUS MIX

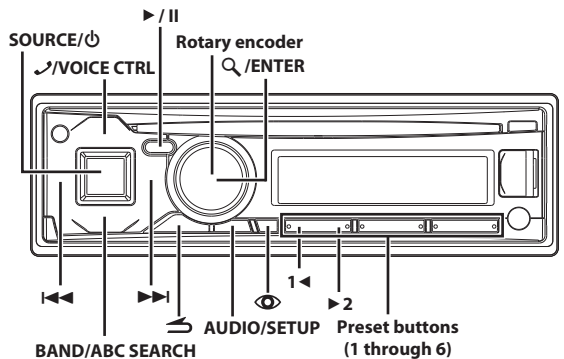
##### Setting contents:

OFF / ON

#### Notes

- When the search mode is in Playlists/Artists/Albums/Podcasts/Genres/Songs/Genius Mix, the initial setting is On, and when the search mode is in Audiobooks/Composers, the initial setting is Off.
- For search mode details, refer to "Searching for a desired Song" on page 30.

# BLUETOOTH Operation



\* The illustration is for CDE-SXM145BT/CDE-143BT.

## Setup Before Using

### About BLUETOOTH

BLUETOOTH is a wireless technology allowing communication between a mobile device or personal computer over short distances. This enables a hands-free call or data transmission between BLUETOOTH compatible devices. BLUETOOTH transmission is available in the unlicensed 2.4 GHz spectrum if the distance between devices is within 10 meters. For details, refer to the BLUETOOTH Home page (<http://www.bluetooth.com>).

#### Notes

- Depending on the BLUETOOTH version, a BLUETOOTH compatible device may not be able to communicate with this unit.
- Proper function of this unit with all BLUETOOTH compatible devices is not guaranteed. For handling of the BT compatible device, consult your ALPINE dealer or ALPINE website.
- Depending on the surroundings, BLUETOOTH wireless connection may be unstable.
- When you place a call, or perform setup operations, be sure to stop your car in a safe place.
- Depending on the connected BLUETOOTH compatible device(s), the function may differ. Also refer to the Owner's Manual of the connected device(s).
- When you search this unit using the BLUETOOTH compatible phone, the unit name is displayed as "Alpine CD Receiver" (CDE-SXM145BT/CDE-143BT only)/"Alpine Digital Media Receiver" (UTE-42BT only) model name.

### Before Using BLUETOOTH Function

Before using the BLUETOOTH function, the following settings need to be made.

**Set "BT IN" to ON when you want to use Hands-Free phone or BT Audio function. Refer to "Setting the BLUETOOTH Connection (BT IN)" on page 23.**

#### Note

- Before using BLUETOOTH function, it must be paired with this unit. Refer to "How to connect to a BLUETOOTH compatible device (Pairing)" on page 23.

## How to connect to a BLUETOOTH compatible device (Pairing)

For details on the control from a BLUETOOTH compatible device, refer to the Owner's Manual of the BLUETOOTH compatible device.

### Pairing a BLUETOOTH compatible device with SSP (Secure Simple Pairing)

- 1 Using your BLUETOOTH compatible device, select the "Alpine CD Receiver" (CDE-SXM145BT/CDE-143BT only)/ "Alpine Digital Media Receiver" (UTE-42BT only) for pairing.
- 2 Turn the Rotary encoder to change the head unit display from "PAIR NO" to "PAIR YES", and then press **Q/ENTER**. If "PAIR NO" is selected, the connection will be canceled.
- 3 If the pairing was successful, "CONNECTED" is displayed for a few seconds. The head unit then returns to its previous state.

### Pairing a BLUETOOTH compatible device without SSP (Secure Simple Pairing)

- 1 Using your BLUETOOTH compatible device, select the "Alpine CD Receiver" (CDE-SXM145BT/CDE-143BT only)/ "Alpine Digital Media Receiver" (UTE-42BT only) for pairing.
- 2 Input the PIN code ("0000") in a BLUETOOTH compatible device.  
**Note**
  - The PIN code is fixed as "0000".
- 3 If the pairing was successful, "CONNECTED" is displayed for a few seconds. The head unit then returns to its previous state.

#### Notes

- If the connection is unsuccessful, "FAILED" is displayed.
- After a successful pairing, the two devices should connect automatically whenever the vehicle's ignition is turned ON. However, should the automatic connection fail, try reconnecting manually.
- Set "VISIBLE M" to VISI M ON to enable this unit to be recognised by a BLUETOOTH compatible device, refer to "Setting the Visible Mode" on page 24.

## BLUETOOTH SETUP

The following steps 1 to 5 are common to the various BLUETOOTH functions. For details, refer to each individual function.

#### Note

- Set "BT IN" to ON, and then perform BLUETOOTH SETUP operation. Refer to "Setting the BLUETOOTH Connection (BT IN)" on page 23.

- 1 Press and hold **AUDIO/SETUP** for at least 2 seconds to activate the **SETUP** mode.
- 2 Turn the Rotary encoder to select "BLUETOOTH", and then press **Q/ENTER**.  
The BLUETOOTH setup mode is activated.

- 3 Turn the Rotary encoder to select the desired items and then press **Q/ENTER**.

#### BLUETOOTH:

BT IN<sup>\*1</sup> ↔ PAIRED DEV<sup>\*2</sup> ↔ VISIBLE M<sup>\*2</sup> ↔ CALL SOUND<sup>\*2</sup> ↔ CALLER ID<sup>\*2</sup> ↔ PB UPDATE<sup>\*1/\*2</sup> ↔ PB ORDER<sup>\*2</sup> ↔ AUTO ANS<sup>\*2</sup> ↔ SPEAKER SL<sup>\*2</sup> ↔ FW VERSION<sup>\*2</sup> ↔ FW UPDATE<sup>\*1</sup>

\*1 The items are not displayed during a phone call.

\*2 The items are not displayed if "BT IN" is set to OFF. Refer to "Setting the BLUETOOTH Connection (BT IN)" on page 23.

- 4 Turn the Rotary encoder to change the settings.
- 5 Press and hold **AUDIO/SETUP** for at least 2 seconds.  
The **SETUP** mode is canceled.

#### Notes

- Press **↶** to return to the previous mode.
- Pressing and holding **↶** for at least 2 seconds will return to normal mode.
- If no operation is performed for 60 seconds, the unit will return to normal mode automatically.

## Setting the BLUETOOTH Connection (BT IN)

With BLUETOOTH technology, you can place a hands-free call by a BLUETOOTH-equipped mobile phone.

Audio information of a BLUETOOTH compatible mobile phone, a portable audio player, etc., is controllable/playable wirelessly from this unit.

#### Setting item: BT IN

##### Setting contents:

OFF / ON (Initial setting)



##### ON:

Select when you want to pair your BLUETOOTH compatible phone with this unit or/and use BLUETOOTH Audio function.

##### OFF:

Hands-Free Phone function and BLUETOOTH Audio are not used.

##### Note

- When "BT IN" is set to OFF, the indicators related to Hands-free phone (  battery quantity and  signal strength (CDE-143BT/UTE-42BT only)) will not be displayed.






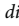
## Setting the BLUETOOTH Device

Select one of 5 connected BLUETOOTH compatible devices that you previously registered.

#### Setting item: PAIRED DEV

- 1 Turn the Rotary encoder to select a BLUETOOTH compatible device you want to use (you want to change connection) and then press **Q/ENTER**.
- 2 Turn the Rotary encoder to select "CONNECT" then press **Q/ENTER** to connect the selected device.  
The connected device is marked with "▲". Select "DISCONNECT" to disconnect this device. Select "CLEAR" when you want to clear the device from the device list.

## Notes

- If the connection is successfully changed, "CONNECTED" is displayed for 2 seconds and the  indicator lights up, then the display returns to the SETUP screen.
- If a mobile phone is connected to this unit successfully, the  indicator lights up to show the battery quantity of the connected mobile phone. The  indicator lights up when the battery quantity is in mid level, and it blinks in low level.
- Indicator  (Signal Strength) (CDE-143BT/UTE-42BT only): The indicator will display the current signal strength of mobile phone. The indicator blinks when the signal of the connected mobile phone is weak.
- Depending on the connected mobile phone, the  (battery quantity) and  (signal strength) (CDE-143BT/UTE-42BT only) indicators may not be displayed.
- If all the 5 positions have been registered, you cannot register the 6th device. To register another device, you need to delete one of the devices from position 1 to 5 first.

## Setting the Visible Mode

You can set whether this unit can be recognised or not from a BLUETOOTH compatible device. Normally set this to VISI M ON.

### Setting item: VISIBLE M

#### Setting contents:

VISI M OFF / VISI M ON (Initial setting)

#### VISI M OFF:

Disable recognition of this unit from the BLUETOOTH compatible device.

#### VISI M ON:

Enable recognition of this unit from the BLUETOOTH compatible device.

## Setting the BLUETOOTH sound quality

You can flexibly customize the sound of a call to fit your own preferences.

### Setting item: CALL SOUND

### Further setting items: VOL LV ADJ / TYPE SET

## Adjusting the volume (VOL LV ADJ)

You can emphasise or weaken the volume level of the Phone call, the ring tone and the microphone input to fit your own preferences.

#### Setting contents:

PHONE TALK:  
-5 dB ~ +5 dB

RING TONE:  
-5 dB ~ +5 dB

MIC GAIN:  
-5 dB ~ +5 dB

## Sound Auto setting (TYPE SET)

This unit provides 5 methods to improve the sound quality of calling. You can choose the type according to your own preference.

#### Setting contents:

TYPE1 (Initial setting) / TYPE2 / TYPE3 / TYPE4 / TYPE5

#### TYPE1:

Standard Mode (recommended)

#### TYPE2:

Enhances the noise reduction

#### TYPE3:

Enhances the echo-cancel

#### TYPE4:

Enhances both noise reduction and echo-cancel

## TYPES:

Weakens both noise reduction and echo-cancel

## Notes

- The functions below are designed to improve the sound quality of the caller to driver.  
Noise reduction: This function can reduce the road noise, but excessive enhancement may affect the sound quality of calling.  
Echo-cancel: This function can reduce echo, but excessive enhancement may affect the sound quality of calling.
- Improvement effect differs depending on the actual calling environment, so please choose a suitable type accordingly.

## Setting the caller information display ON/OFF

If you want to keep the ID information of the caller from others, set this item to OFF. Telephone number will be displayed while you are dialing; "NO NAME" will be displayed during a call.

### Setting item: CALLER ID

#### Setting contents:

OFF / ON (Initial setting)

## Setting the Phone Book Update

You can update the phone book automatically or manually.

### Setting item: PB UPDATE

### Further Setting contents: AUTO/MANUAL

## Setting the Phone Book Auto Update ON/OFF (AUTO)

When you select AUTO ON in this step, whenever the vehicle's ignition is turned ON or after the phone is re-paired with this unit, the phone book will be updated automatically.

#### Setting contents:

AUTO OFF / AUTO ON (Initial setting)

#### Note

- "UPDATING" will be displayed during the phone book update.

## Setting the Phone Book Manual Update ON/OFF (MANUAL)

When you select UPDATE YES in this step, the phone book will be updated immediately regardless if the Auto update function is on or off.

#### Setting contents:

UPDATE NO (Initial setting) / UPDATE YES

#### Note

- "UPDATING" will be displayed during the phone book update.

## Changing the Phone book List Order

The phone book is listed alphabetically according to the initial letter of name.

You can choose to arrange the phone book list order according to the initial letters of the FIRST NAME or LAST NAME.

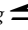
### Setting item: PB ORDER

#### Setting contents:

FIRST NAME (Initial setting) / LAST NAME



### Note

- “WAITING” will be displayed while the Phone book order is switching. You can cancel the “WAITING” screen to perform other operations by pressing  when the ordering is still in progress. The phone book is not accessible during this time. In addition, the ordering may affect the playback of BT AUDIO.

## Setting the Received Calls automatically (Auto Answer)

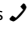
When a call is received, you can set whether to receive it automatically or not.

### Setting item: AUTO ANS

#### Setting contents:

AT ANS OFF (Initial setting) / AT ANS ON

#### AT ANS OFF:

When a call is received, it is not answered automatically. Press  to receive the call.

#### AT ANS ON:

When a call is received, it is answered automatically after about 5 seconds.

### Note

- If the received call setting on the mobile phone is on, the call will be answered automatically even though this setting is set to OFF.

## Selecting the output speaker

You can select the connected speaker in car to output the sound signal of telephone.

### Setting item: SPEAKER SL

#### Setting contents:

ALL (Initial setting) / FRONT-L / FRONT-R / FRONT-LR

#### ALL:

The sound be output from all of speakers in car.

#### FRONT-L:

The sound only be output from the front left speaker.

#### FRONT-R:

The sound only be output from the front right speaker.

#### FRONT-LR:

The sound be output from the front left and front right speaker.

## Displaying the firmware version

The current firmware version will be displayed.

### Setting item: FW VERSION

## Updating the firmware

Future BLUETOOTH firmware updates may become available for phone interoperability. For information to update your BLUETOOTH firmware, please visit Alpine home page (<http://www.alpine-usa.com>).

### Setting item: FW UPDATE

#### Setting contents:

UPDATE NO (Initial setting) / UPDATE YES

## Hands-Free Phone Control

### About the Hands-Free Phone

Hands-free calls are possible when using a HSP (Head Set Profile) and HFP (Hands-Free Profile) compatible mobile phone with this unit.

#### Notes

- Avoid performing a hands-free call in heavy traffic or on narrow or winding streets.
- Close the windows while calling to reduce background noise.
- If both calling parties are using hands-free devices, or the call is made in a noisy location, difficulty hearing the other person's voice is normal.
- Depending on telephone line conditions or certain mobile devices used, voices may sound unnatural.
- When using a microphone, speak as directly as you can into the microphone to pick up the best sound quality.
- Certain mobile phone features are dependent on the capabilities and settings of your service provider's network. Additionally, certain features may not be activated by your service provider, and/or the provider's network settings may limit the feature's functionality. Always contact your service provider about feature availability and functionality.

All features, functionality, and other product specifications, as well as the information contained in the Owner's Manual are based upon the latest available information and are believed to be accurate at the time of printing.

Alpine reserves the right to change or modify any information or specifications without notice or obligation.

### Answering a Call

Incoming calls are announced by the received call ring tone and a displayed message (PHONE).

Press  or  / ENTER.

The call starts.

#### Notes


- When “AUTO ANS” is set to AT ANS ON, you can receive a call automatically. Refer to “Setting the Received Calls automatically (Auto Answer)” on page 25.
- While calling, the source sound on the unit is muted. After calling, playback will resume.
- The caller name will not be displayed during phonebook updating.

### Hanging up the Telephone

Press .

The call finishes.

#### Note

- You can also hang up the call by pressing and holding  for at least 2 seconds.

### Voice Control Operation

When a Smartphone equipped with voice recognition function is paired with this unit, the Smartphone can be controlled by Voice Control via this unit.

**Press and hold VOICE CTRL for at least 2 seconds to activate the Voice Recognition mode.**

After the Voice Recognition mode is activated and “SPEAK” is displayed, you can make a phone call, play a song, etc., via this unit by inputting voice control commands\*.

\* Please refer to your smartphone manual for other voice control commands.

## Notes

- You can perform this operation only when a Voice recognition compatible mobile phone is connected. If the mobile phone is not compatible with the Voice recognition, "NO SUPPORT" is displayed for 2 seconds.
- The Voice recognition function performance depends on the recognition range of the mobile phone and mounting location of the microphone. Please pay attention when the microphone is mounted.
- Voice recognition operation depends on the function of the mobile phone. For details, refer to the Owner's Manual of the mobile phone.
- If a called person that you say is not found, "NO CALL" is displayed for 2 seconds.
- Please obey all local traffic laws while using this function.

## Calling

Call History is recorded for the last dialed/received/missed calls. There are various ways of making calls based on the "Calling." The following steps 1 to 5 are common to the various ways of making these calls. For details, refer to each individual category for making calls.

### 1 Press .

The outgoing method list is displayed.

### 2 Turn the Rotary encoder to select the outgoing mode.

#### Setting contents:

DIALED / RECEIVED / MISSED / PHONE BOOK

#### DIALED:

Dialed history

#### RECEIVED:

Received history

#### MISSED:

Missed incoming history

#### PHONE BOOK:

Mobile phone book

### 3 Press /ENTER.

The outgoing mode is activated, and each mode list is displayed.

#### Note

- It may take some time for the list to be displayed, and also directly after connection, the list may not be brought up to date.



### 4 Turn the Rotary encoder to select a name or a telephone number from the list.

#### Note

- You can use Phone book alphabet search function to search a name or number from Phone Book. For details, refer to "Phone book alphabet search function" on page 26.


### 5 Press /ENTER.

The selected telephone will be called.

If one name has several numbers registered in the telephone book, press  /ENTER after selecting the name\*, then turn the **Rotary encoder** to choose the desired number and press  /ENTER, the telephone will be called. Depending on the connected mobile phone, this function may not be performed.

- \* If the name cannot be recognised, default number will be displayed.

## Notes

- Press  to return to the previous mode.
- If no operation is performed for 60 seconds, the unit will return to normal mode automatically.
- If there is no content in DIALED/RECEIVED/MISSED/PHONE BOOK list, "-----" will be displayed for 2 seconds.
- If you place a call directly from the paired mobile phone, the phone number is not displayed, you cannot redial from the unit in this case.

## Redialing a Number In Outgoing History

Previously dialed telephone numbers (Maximum 20 items) are stored in dialed calls history. You can redial a number by searching from dialed calls history.

■ **Setting item:** DIALED

## Dialing a Number In Incoming History

Telephone numbers from received calls (Maximum 20 items) are stored in the Received List. You can redial these numbers by searching here.

■ **Setting item:** RECEIVED

## Dialing a Number In Incoming Missed Call History

Telephone numbers for received calls that are missed (Maximum 20 items), are stored in the Missed List. You can redial these numbers by searching here.


■ **Setting item:** MISSED

## Dialing a Number In The Phone Book

Up to 1,000 names (at most 3 telephone numbers for each name) are downloadable from a mobile phone. Dial a call by selecting a person from the phone book list.

■ **Setting item:** PHONE BOOK

## Notes

- The order of the list display depends on the setting of "PB ORDER" (refer to "Changing the Phone book List Order" on page 24).
- If the call history or phone book of the mobile phone is added or deleted while it is connected to the unit, the list displayed on the unit may not be brought up to date. If it is not updated, you cannot correctly place a call.
- You can display the information of a number stored in phone book by pressing . Each press changes the display as Name → Telephone NO. → Telephone label\* → Name  
If the information cannot be obtained, "NO NAME", "NO NUMBER" or "NO LABEL" will display.

\* The telephone label of a number depends on the number information stored in Phone book of the mobile phone, which includes 4 types-MOBILE, HOME, OFFICE, and OTHER.

## Phone book alphabet search function

You can select the first three letters to search for a desired name in phone book list by using the Phone book alphabet search function.

### For example:

Searching a name "Michael James"

The following example explains how the search is performed.

Depending on the setting in PB ORDER (refer to "Changing the Phone book List Order" on page 24), the phone book is listed in first name or last name order. Please search for the first name or last name according to the setting.

### 1 Press BAND/ABC SEARCH while in the phone book list, the phone book alphabet search mode is activated.

The letter selection list is displayed.

### 2 Turn the Rotary encoder to select the first letter (e.g. M), and then press .

The letter selection list is displayed.

### 3 Turn the Rotary encoder to select the second letter (e.g. l), and then press ►►.

The letter selection list is displayed.

### 4 Turn the Rotary encoder to select the third letter (e.g. C), and then press Q / ENTER.

The names stored in phone book which begin with "MIC" are searched.

### 5 Turn the Rotary encoder to select the desired name (e.g. Michael James), and then press Q / ENTER to make the call.

#### Notes

- If the selected name has several numbers registered in phone book, you need to turn the **Rotary encoder** to select the desired number, and then press Q / ENTER.
- Press ◀◀ in step 3 or 4 to delete the current entry and return to the previous step.
- You can search for a name by its first letter, first two letters or first three letters. Press Q / ENTER after entering the desired number of letters. A list displays the names beginning with the entered letter(s).
- If there is no First or Last name, you may not be able to search for a contact using the Alphabet Search function.

## Call waiting function

If a second call is received during a current call, you can have the first caller wait momentarily while you take the second call. When you are finished with one call, you can switch to the other one.

**If a second call is received during the current call (call1), the information of second caller (call2) is displayed instead of the current caller's name. Press ► 2, the call waiting mode is activated.**

In this case, call1 is on hold, while you take call2.

#### Notes

- In the call waiting mode, press 1 ◀ or ► 2 to switch between the calling person and the person on hold.
- In the call waiting mode, press and hold 1 ◀ or ► 2 for at least 2 seconds to hang up call1 or call2, and the other call will be answered automatically.
- In the call waiting mode, you can press Ⓞ to change the display between waiting number (1 or 2) and caller name.

## Preset a number in the Phone Book (Shortcut dial)

Assign numbers that you dial frequently to presets for quick recall. You can assign up to six frequently called phone numbers to number presets.

**Select a number you want to preset from the Phone Book list. Press and hold any one of the preset buttons (1 through 6) as the one that you wish to store the number for at least 2 seconds.**

The phone number you selected is stored in presets.

#### Notes

- If the name has several numbers registered in the phone book, press Q / ENTER after selecting the name. Turn the **Rotary encoder** to choose the desired number. Press and hold any one of the **preset buttons (1 through 6)** for at least 2 seconds. The selected number is stored as a preset number.
- A total of 30 phone numbers can be stored in the preset memory ( 6 numbers for each mobile phone in the paired device list). If a mobile phone is deleted from the paired device list, the stored preset numbers of this mobile phone are deleted, even when it is paired again.

- If you store a phone number in a preset with a previously stored number, the current number will be cleared and replaced by the new one.

## Dialing the preset number

### 1 Press any one of the preset buttons (1 through 6) that has had a number stored in the phone mode.

The information (name/number) stored in the preset station is displayed.

### 2 Press Q / ENTER or ↵.

The stored preset number is dialed directly.

## Adjusting the volume when receiving a Call

While calling, you can adjust the volume.

**Turn the Rotary encoder to adjust the volume.**

#### Note

- You may need to increase volume from your regular audio listening source level. However, increasing the volume excessively may result in feedback. Feedback is directly related to the volume. Turning down the volume as low as acceptable, will reduce it. Positioning the microphone in a direction away from the main car speakers (e.g. clipped on sun visor) may also reduce feedback at high volume.

## Muting the microphone input quickly (Voice Mute)

While calling, activating the Voice Mute function will instantly mute the microphone input. Your voice will not be heard by the caller.

**While calling, press ►/II to mute the microphone input.**

Press ►/II again will bring the microphone input back to its previous volume level.

#### Note

- The operation can also be performed in the option menu of phone mode (calling mode). Refer to "Option Menu Setting" on page 19.

## Call Switching Operation

While making a call, this function allows you to initiate the transfer of the audio between the mobile phone and the speakers in the car.

**While calling, press BAND or press and hold ►/II to switch the call sound between the unit and mobile phone.**

#### Notes

- Depending on the mobile phone, this operation may not be performed.
- The operation can also be performed in the option menu of phone mode (calling mode). Refer to "Option Menu Setting" on page 19.

## BLUETOOTH Audio Operation

Audio information of a BLUETOOTH compatible mobile phone, a portable player, etc., is controllable/playable wirelessly\* from this unit.

\* To play back audio, a mobile phone or a portable player conforming to A2DP (Advanced Audio Distribution Profile) and AVRCP (Audio/Video Remote Control Profile) is required.  
Not all functions work with all devices.

### Notes

- Set "BT IN" to ON when you want to use BLUETOOTH Audio function. Refer to "Setting the BLUETOOTH Connection (BT IN)" on page 23.
- During a call, sound on the BLUETOOTH audio source is muted.
- If you operate the Hands-free phone (e.g. searching in the phonebook) while using the BLUETOOTH Audio function, BLUETOOTH Audio playback may be affected.

## Recalling the BLUETOOTH Audio Mode

Press SOURCE/⏻ to select the BT AUDIO mode.

## Selecting the desired Song

Press ⏮.

Returns the beginning of the song being played back.

Press ⏭.

Forwards the next song.

Press and hold ⏮ or ⏭.

Fast backward/fast forward track continuously.

## Selecting the Desired Group (Folder)

Press 1 ◀ or ▶ 2 to select the desired Group (Folder).

Pressing and holding 1 ◀ or ▶ 2 will change folders continuously.

### Note

- The action depends on the connected device.

## Pausing

Press ▶/⏸.

A playback stops. Touching again will resume a playback.

## Displaying the Text

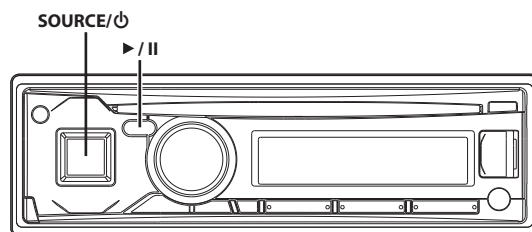
Tag information can be displayed.

Press 👁 during a song playing and pausing.

Each press changes the display.

For details, refer to "Displaying the Text" on page 18.

## Flash Memory (optional)



\* The illustration is for CDE-SXM145BT/CDE-143BT.

### Note

- You can connect Nokia (Symbian™) phone via USB port to play back the music stored on your phone.

## Playing MP3/WMA Files from Flash Memory (optional)

If you connect a Flash device containing MP3/WMA, MP3/WMA files can be played back.

1 Press SOURCE/⏻ to switch to the USB AUDIO mode.

2 To pause playback, press ▶/⏸.

Pressing ▶/⏸ again will resume the playback.

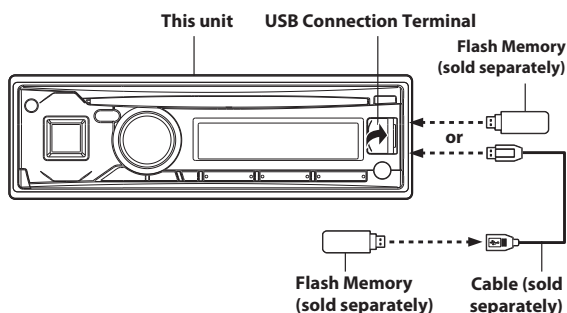
### Notes

- The root folder is displayed as "ROOT" in the Folder Name Search mode.
- This unit plays back files in Flash Memory with the same controls and modes used for playback of CDs containing MP3/WMA. For details, refer to "CD/MP3/WMA (CDE-SXM145BT/CDE-143BT only)" on page 12.
- Before disconnecting Flash Memory, be sure to change to another source or set to pause.
- The playback time may not be correctly displayed when a VBR (Variable Bit Rate) recorded file is played back.

## Flash Memory Connection (optional)

### Connect Flash Memory

- 1 Open the cover of the USB Port.
- 2 Connection the Flash Memory directly to the USB Port, or via the USB cable.



### Remove Flash Memory

- 1 Carefully, pull out the Flash Memory Device from the USB cable or the USB Port.
- 2 Close the cover of the USB Port.

#### Notes

- Change to a source other than the Flash Memory mode, then remove the Flash Memory Device. If Flash Memory is removed in the Flash Memory mode, data may be damaged.
- When removing Flash Memory, pull it out straight.
- If sound is not output or Flash Memory is not recognized even when connected, remove the Flash Memory Device once, and then connect it again.
- Route the USB cable away from other cables, etc.
- After removing the Flash Memory, close the cover of the USB Port to prevent dust or foreign objects from entering and causing a malfunction.

## About MP3/WMA File of Flash Memory

#### Playing back MP3/WMA

MP3/WMA files are prepared, then stored to a Flash Memory Device. This unit can recognise at most 255 folders and 255 files per folder stored in Flash Memory. Playback may not be performed if a Flash Memory Device exceeds the limitations described above. Do not make a file's playback time more than 1 hour.

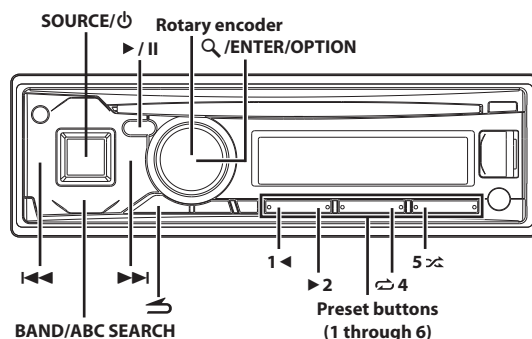
#### Media supported

This device can play back files stored on Flash Memory devices designed for USB connection.

#### Corresponding File Systems

This device supports FAT 12/16/32 for Flash Memory devices.

## iPod/iPhone (optional)

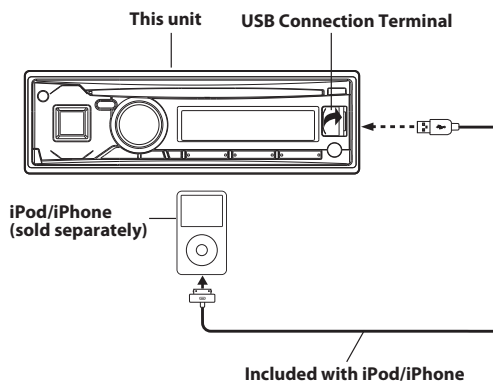


\* The illustration is for CDE-SXM145BT/CDE-143BT.

## Connecting an iPod/iPhone

An iPod/iPhone can be connected to this unit by using the Interface cable for iPod (included with iPod). When an iPod/iPhone is connected to this unit, you can choose to control the iPod/iPhone using its own controls or by the head unit controls. For details, refer to "Setting the iPod Control" on page 30.

These instructions refer to controlling the iPod/iPhone from this Head Unit (HU) only. Make sure iPod Control is set to HU MODE (HEAD UNIT). Refer to "Setting the iPod Control" on page 30. Refer to the iPod/iPhone manual for operations using the iPod/iPhone.



#### Notes

- An iPhone connected to this unit operates as an iPod. The iPhone can be used as a hands-free device using the integrated BLUETOOTH module.
- Internet and telephone functions of iPod touch or iPhone, etc., can also be used when connecting to the unit. However, using these functions will stop or pause the playing songs. Stop using any applications or the phone functions before going back to music playback on your device.

#### About iPod/iPhone models usable with this unit

- Confirmed devices regarding Made for iPod. Correct function of earlier versions cannot be guaranteed.
  - iPod touch (4th generation): Ver.5.1.1
  - iPod nano (6th generation): Ver.1.2
  - iPod touch (3rd generation): Ver.5.1.1
  - iPod nano (5th generation): Ver.1.0.2
  - iPod classic (160 GB) (Late 2009): Ver.2.0.4

iPod touch (2nd generation): Ver.4.2.1  
 iPod nano (4th generation): Ver.1.0.4  
 iPod classic (120 GB): Ver.2.0.1  
 iPod touch (1st generation): Ver.3.1.3  
 iPod nano (3rd generation): Ver.1.1.3  
 iPod classic (80 GB, 160 GB): Ver.1.1.2

- Confirmed devices regarding Made for iPhone. Correct function of earlier versions cannot be guaranteed.
  - iPhone 4S: Ver.5.1.1
  - iPhone 4: Ver.5.1.1
  - iPhone 3GS: Ver.5.1.1
  - iPhone 3G: Ver.4.2.1
  - iPhone: Ver.3.1.3
- For clarity in identifying your model of iPod, please see Apple's own document "Identifying iPod models" at <http://support.apple.com/kb/HT1353>
- This unit does not support video playback from iPod/iPhone, even using a video-compatible cable.

## Setting the iPod Control

When an iPod/iPhone is connected, operate it from its own controls or from the head unit.

- Press and hold **Q** / **ENTER** / **OPTION** for at least 2 seconds in the iPod mode.

The Option menu for iPod mode is activated.

- Turn the Rotary encoder to select **APP DIRECT**, and then press **Q** / **ENTER**.

The iPod control mode will switch between iPod MODE and HU MODE.

### HU MODE (HEAD UNIT):

Operate the iPod/iPhone via this unit.

### iPod MODE:

Operate the iPod/iPhone using its own controls. When iPod is selected, some functions will not be operable via the head unit.

### Notes

- During HU MODE, you can switch to iPod MODE directly by pressing **BAND**.
- The "**APP**" indicator lights up when the iPod MODE is activated.
- Once the control mode is changed, this will set pause status, press **▶/||** to continue.
- Depending upon the iPod used, iPod control may not be selectable. Or, if iPod is selected, operation must still be from the head unit.

## Playback

- Press **SOURCE** / **⏻** to switch to the iPod mode.

- Press **◀◀** or **▶▶** to select the desired song.  
Pressing and holding **◀◀** or **▶▶** will fast backward/fast forward the current track.

- To pause playback, press **▶/||**.  
Pressing **▶/||** again will resume playback.

### Notes

- A song playing on the iPod/iPhone while it is connected to this unit will continue to play from where it was paused after disconnection.
- If you listen to an episode from a selected Podcast or Audiobook, the episode can be changed by pressing **1 ◀** or **▶ 2**.
- An episode may have several chapters. The chapter can be changed by pressing **◀◀** or **▶▶**.

- During iPod/iPhone playback, press **↩**, and then you can quickly return to the hierarchy level selected last time in the search mode.

## Searching for a desired Song

An iPod/iPhone can contain thousands of songs. This unit utilizes various methods to make searches for desired content as simple as possible.

Each music category has its own individual hierarchy as shown below. Choose a music category from the list below to narrow searches quickly.

Hierarchy 1	Hierarchy 2	Hierarchy 3	Hierarchy 4
Playlist	Song	—	—
Artist*	Album*	Song	—
Album*	Song	—	—
Song	—	—	—
Podcast	Episode	—	—
Genre*	Artist*	Album*	Song
Composer*	Album*	Song	—
Audiobook	—	—	—
Genius Mix list	—	—	—

### Note

- You can select your preferred search mode. Refer to "iPod/iPhone Search Mode Setting" on page 22.

### For example:

Searching by Artist name

The following example explains how an ARTIST search is performed. Another search mode can be used for the same operation, although the hierarchy differs.

- Press **Q** / **ENTER** to activate the search selection mode.

The "Q" indicator lights up.

- Turn the Rotary encoder to select the ARTIST search mode, and then press **Q** / **ENTER**.

SHUFFLEALL<sup>\*1</sup> ↔ PLAYLIST ↔ ARTIST ↔ ALBUM ↔ SONG ↔ PODCAST ↔ GENRE ↔ COMPOSER ↔ AUDIOBOOK ↔ GENIUS MIX<sup>\*2/\*3</sup> ↔ SHUFFLEALL

\*1 Refer to "Random Play Shuffle (M.I.X.)" on page 31.

\*2 Depending on the connected iPod/iPhone, Genius Mix function may not be supported.

\*3 When an iPod/iPhone with Genius Mix list created by iTunes is connected to this unit, GENIUS MIX search mode can be used to search a Genius Mix list.

### Note

- The display of search mode list varies depending on the setting of iPod LIST. For details, refer to "iPod/iPhone Search Mode Setting" on page 22.

- Turn the Rotary encoder to select the desired Artist, and then press **Q** / **ENTER**.
- Turn the Rotary encoder to select the desired Album, and then press **Q** / **ENTER**.
- Turn the Rotary encoder to select the desired Song, and then press **Q** / **ENTER**.

### Notes

- After pressing and holding **Q** / **ENTER** for at least 2 seconds while in each hierarchy (except Song, Audiobook and Genius Mix list hierarchy), all songs of the selected hierarchy are played back.

- After selecting [ALL] in the search mode with **Q**/**ENTER**, (refer to the table on the previous page) press and hold **Q**/**ENTER** for at least 2 seconds to play back all songs in the iPod/iPhone or selected search mode.
- While in the search mode, if you press and hold **↵** for 2 seconds, or no operation is performed for 60 seconds, the search mode is canceled.
- In the search mode, pressing **↵** will return to the previous mode.
- When search is made during M.I.X. play, the M.I.X. play mode will be canceled.
- "NO SONG" will be displayed if there are no songs in the selected playlist in the PLAYLIST search mode.
- "NO PODCAST" will be displayed if there is no podcast data in the iPod/iPhone in the PODCAST search mode.
- "NOAUDIOBOK" will be displayed if there is no audiobook data in the iPod/iPhone in AUDIOBOOK search mode.
- "NO GENIUS" will be displayed if there is no genius mix list data in the GENIUS MIX search mode.
- If "iPod name" stored in the iPod/iPhone is selected in the desired Playlist search mode, and **Q**/**ENTER** is pressed, you can search for all songs in the iPod/iPhone. Also, if you press and hold **Q**/**ENTER** for at least 2 seconds, all songs in the iPod/iPhone are played back.
- Depending on the iPod/iPhone, podcast search is not supported.
- If any one of the **preset buttons (1 through 6)** is pressed in the search mode, a search can be made quickly by skipping to the specified location. For details, refer to "Direct Search Function" on page 31.
- During search mode, a search can be made quickly by Alphabet search function to find the desired artist or song, etc. For details, refer to "Alphabet search function" on page 31.

## Alphabet search function

Use the alphabet search function to search for an album, song, etc., by its first letter. Select the first letter of the desired title (album, song, etc.), and the titles beginning with this letter are listed.

- 1 After selecting a search mode, press **ABC SEARCH**.  
The letter selection list is displayed.
- 2 Turn the **Rotary encoder** to select a desired letter (e.g. M), and then press **Q**/**ENTER**.  
The titles beginning with "M" are listed.
- 3 Turn the **Rotary encoder** to select the desired title.

### Notes

- While in Alphabet search mode, pressing **↵** will return to the previous mode.
- If the PLAYLIST search mode is used to search for a song, the Alphabet search function is inactive in the song search hierarchy.
- This function is unavailable when Genius Mix list is selected.

## Direct Search Function

Direct search can be used to jump a fixed percentage of titles within the current search category (album, song, etc.).

In the search mode, press any one of the **preset buttons (1 through 6)** to quickly skip over a designated percent of your song content.

### Song search example:

If there are 100 songs in your iPod/iPhone, they are divided into 6 groups using percentages (shown below). These groups are assigned to the preset buttons (1 through 6).

### Example 1:

Suppose the song you are searching for is located at around the middle (50%) of your library: press button 4 to jump to the 50th song and turn the **Rotary encoder** to find the desired song.

### Example 2:

Suppose the song you are searching for is located near the end (83%) of your library: press button 6 to jump to the 83rd song and turn the **Rotary encoder** to find the desired song.

### Notes

- This function is also applicable to CD/MP3/WMA search.
- This function is unavailable when Genius Mix list is selected.
- This function is inactive during Alphabet Search mode.

	All 100 songs (100%)					
	0%	17%	33%	50%	67%	83%
Preset buttons	1	2	3	4	5	6
Songs	1st song	17th song	33rd song	50th song	67th song	83rd song

## Change Playlist/Artist/Album/Genre/Composer

Playlist/Artist/Album/Genre/Composer can be easily changed. For example, if you listen to a song from a selected album, the next or previous album can be selected.

Press **1** **◀** or **▶** **2** to change to the previous or next Playlist/Artist/Album/Genre/Composer.

### Notes

- If the song search mode was used to select a song, this function is inactive.
- If an album is selected during an artist search, other albums by that artist are searchable.
- This function is inactive during shuffle (**↻**) playback.

## Random Play Shuffle (M.I.X.)

The Shuffle function of the iPod/iPhone is displayed as **↻** on this unit.

### Shuffle Albums:

The songs on each album are played back in proper order. Upon completion of all the songs on the album, the next album is selected randomly. This continues until all albums have been played.

### Shuffle Songs:

Song shuffle randomly plays back songs within a selected category (playlist, album, etc.). The songs within the category are played just once until all songs have been played.

- 1 Press **5** **↻**.

The songs are played back in random sequence.

MIX ALBUM\*1 → MIX SONG\*2 → MIX OFF → MIX ALBUM

\*1 Shuffle Albums.

\*2 Shuffle Songs.

- 2 To cancel M.I.X. play, select MIX OFF with the above procedure.

### Note

- If a song is selected in the album search mode before selecting M.I.X. play, the songs will not play back randomly even when Shuffle Albums is selected.

#### Shuffle ALL:

Shuffle ALL plays all songs in the iPod/iPhone randomly. Any one song does not play back again until all songs have been played back.

- 1 Press **Q** /ENTER to activate the search selection mode.
- 2 Turn the **Rotary encoder** to select SHUFFLEALL, and then press **Q** /ENTER.

To cancel M.I.X. play, press **5** **↶** to select OFF.

#### Note

- If Shuffle ALL is selected, the selected songs being played back in the search mode are canceled.

---

## Repeat Play

---

Only Repeat One is available for the iPod/iPhone.

#### Repeat One:

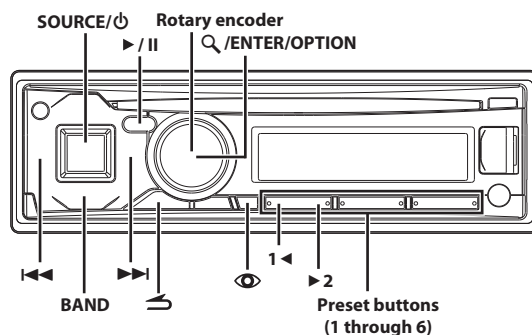
A single song is repeatedly played back.

- 1 Press **4**.  
The song is played back repeatedly.  
RPT ONE\* → RPT OFF → RPT ONE
- 2 To cancel repeat play, select RPT OFF with the above procedure.

#### Note

- During repeat playback, no other songs are selectable by pressing **1** or **2**.

# SiriusXM Satellite Radio Operation (CDE-SXM145BT only)



\* The illustration is for CDE-SXM145BT/CDE-143BT.

#### SiriusXM Tuner operation:

When a SiriusXM Tuner is connected to this unit, the following operations may be performed.

---

## Receiving Channels with the SiriusXM Tuner

---

#### About SiriusXM Satellite Radio

Everything worth listening to is on SiriusXM. Get over 130 channels, including the most commercial-free music, plus the best sports, news, talk and entertainment. A SiriusXM Tuner and Subscription are required. For more information, visit [www.siriusxm.com/activatenow](http://www.siriusxm.com/activatenow), or call 1-866-635-2349.

To activate SiriusXM Canada service go [www.xmradio.ca](http://www.xmradio.ca) and click on "ACTIVATE RADIO" in the top right corner, or call 1-877-438-9677.

#### Note

- The SiriusXM Satellite Radio controls on this unit are available only when a SiriusXM Tuner is connected.

- 1 Press **SOURCE/⏻** to activate the Satellite Radio (SIRIUSXM) mode.
- 2 Press **1** or **2** to select the desired channel.  
Holding down **1** or **2** will rapidly browse through the channels.  
Alternatively, you can enter the number of the desired channel using the numeric keypad on an optional remote control.

---

## SiriusXM Setting (CDE-SXM145BT Only)

---

The following steps 1 to 5 are common to the various SiriusXM functions. For details, refer to each individual function.

#### Note

- Connect a SiriusXM Tuner, and then perform SiriusXM SETUP operation.
- 1 Press and hold **AUDIO/SETUP** for at least 2 seconds to activate the SETUP mode.



- 2 Turn the **Rotary encoder** to select "SiriusXM", and then press **Q/ENTER**.  
The SiriusXM setup mode is activated.
- 3 Turn the **Rotary encoder** to select the desired items and then press **Q/ENTER**.  
SiriusXM:  
ALERTSETUP ↔ GAME ALERT ↔ P-LOCK ↔ SIGNAL IND ↔ TUNE START
- 4 Turn the **Rotary encoder** to change the settings.
- 5 Press and hold **AUDIO/SETUP** for at least 2 seconds.  
The SETUP mode is canceled.

#### Notes

- Press **↩** to return to the previous mode.
- Pressing and holding **↩** for at least 2 seconds will return to normal mode.
- If no operation is performed for 60 seconds, the unit will return to normal mode automatically.

## Managing Artist and Song Alerts

The following operations can be performed to change the Alert settings. The Artist and Song Alerts feature allows you to mark Artists and Songs from the current channel and then the unit alerts you later when the marked Artists or Songs are playing on other channels.

### Setting item: ALERTSETUP

#### Setting contents:

ALERT LIST / ALERT / A S ALERT / DELETE ALL

#### ALERT LIST

This menu option allows you to enable the Artist/Song alert for individual Artist/Songs (ALERT ON or OFF) or to delete individual stored Artist/Song alerts (DELETE).

- 1 Turn the **Rotary encoder** to select ALERT LIST, and then press **Q/ENTER**.
- 2 Turn the **Rotary encoder** to select a stored Artist or Song, and then press **Q/ENTER**.
- 3 Turn the **Rotary encoder** to ALERT to enable (ALERT ON) or disable (ALERT OFF) the alert for the selected Artist/Song or turn the **Rotary encoder** to select DELETE to delete the selected Artist/Song from memory.

#### ALERT

This menu option allows you to temporarily disable the Artist/Song Alerts for all Artists/Songs. When the Alerts are re-enabled, individual Artist/Song Alert disabled in the ALERT LIST menu setting remain disabled.

Turn the **Rotary encoder** to select ALERT ON or OFF, and then press **Q/ENTER**.

If ON is set, the alert for all stored Artists/Songs is enabled.

If OFF is set, the alerts for all stored Artists/Songs are disabled.

#### A S ALERT

This menu option allows you to enable the alerts of all sources.

Turn the **Rotary encoder** to select ON or OFF, and then press **Q/ENTER**.

If ON is set, the alert of all source is enabled.

If OFF is set, the alert of all source is disabled.

#### DELETE ALL

This operation will delete all alerts (artists, songs and team) stored in memory.

After selecting this item,

Turn the **Rotary encoder** to select DELETE YES, and then press **Q/ENTER**.

## Setting the Favorite Sports Team Alerts

This menu option allows you to select your favorite teams, organized by leagues, so that you will be alerted later when your favorite teams are playing on other channels.

### Setting item: GAME ALERT

After selecting GAME ALERT, a sports league list will be displayed.

- 1 Turn the **Rotary encoder** to select the desired league, and then press **Q/ENTER**.
- 2 Turn the **Rotary encoder** to select a team you want to store, and then press **Q/ENTER**.  
A "TEAM SAVED" pop-up screen is followed by an "XX U(sed)/YY E(empty)".  
XX is the total number of Artist/Song/Game alert items stored in memory, and YY is the total number of memory slots still available for storage.

#### Note

- Select "NONE" on the team list if you do not want to store in memory.

## Setting the Parental Control

You can lock out channels with passcode protection. Channels that are locked cannot be accessed without entering the passcode. You can unlock a channel or change the passcode using this menu option.

### Setting item: P-LOCK

#### Setting contents:

CLEAR ALL / LOCKED CH / EDIT CODE

#### How to input passcode?

- 1 After select P-LOCK, a passcode input screen will be displayed.
- 2 Input the passcode using the **Rotary encoder**.  
The initial default 4-digit passcode is set to 0000. The passcode is entered one digit at a time with the **Rotary encoder**.  
For example, by turning to clockwise 2 steps, the number 1 is selected.  
After entering the digit, it is displayed as "※" (asterisk).
- 3 Press **▶▶1**, and then input the next digit of the passcode as described in step 2.
- 4 Repeat steps 2 to 3 until the 4 digits of the passcode are entered, and then press **Q/ENTER**.

After the correct passcode is entered, the LOCKED CH/CLEAR ALL/EDIT CODE items can be adjusted.

#### CLEAR ALL:

Unlock all locked channels.

Turn the **Rotary encoder** to select CLEAR YES, and then press **Q/ENTER**.

#### LOCKED CH:

After selecting this item, turn the **Rotary encoder** to select a channel from channel list, press **Q/ENTER** to select to lock or unlock the channel. Locked channels cannot be tuned without entering the passcode.

The locked channel will be displayed with "L" before channel No.

#### EDIT CODE:

Change the passcode.

- 1 Input the old passcode as steps 1 to 4 in "How to input passcode?".  
After the old passcode is entered, the new passcode input screen will be displayed.

- 2 Input the new passcode as steps 1 to 4 in "How to input passcode?".

A confirm screen (CNFIRM) will be displayed and the new passcode must be entered again for confirmation. When the passcode is changed successfully, the unit will display CODE SAVED.

**Note**

- Keep a note of the numbers somewhere safe in case you should forget it.

## Confirming the strength of the SiriusXM signal

You can check the signal strength through this setting item.

### Setting item: SIGNAL IND

**Setting content:**

SIGNAL IND

**SIGNAL IND:**

This menu item displays the SiriusXM signal strength as STRONG, GOOD, WEAK or NO SIGNAL.

**Note**

- If the Signal Indicator reports Weak or No Signal and your vehicle is parked outside with no obstructions to the southern sky, then your SiriusXM antenna may not be properly installed or may have become damaged.

## Setting Tune Start

Tuning to a Preset that is a music channel will start a song from the beginning.

### Setting item: TUNE START

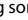
**Setting contents:**

OFF / ON (Initial setting)

**OFF:**

When set to OFF, Tune Start mode is unavailable.

**ON:**

When ON, selecting a preset station will automatically reset the currently playing song from its beginning. Pressing  will return to live satellite radio.

**Note**

- Displayed only when SiriusXM SXV200 Tuner is connected.

## Checking the SiriusXM Radio ID Number

To subscribe to the SiriusXM Satellite Radio service, it is necessary to locate and identify the Radio ID of your SiriusXM Tuner. The Radio ID contains 8 characters and can be found on the bottom of your SiriusXM Tuner or can be displayed on when selecting Channel 0 by following the steps below:

- 1 While in the Satellite Radio Mode, press  or  to select channel "0".

The unit displays "RADIO ID" and ID number alternately.

**Note**

- The Radio ID does not include the letters I, O, S or F.

- 2 To cancel the ID number display, select a channel other than "0".

## Storing Channel Presets

- 1 Press **BAND** to select the desired band you want to store the preset in.

There are 3 Satellite Radio Preset bands.

Each press of **BAND** changes the band: SXM1 → SXM2 → SXM3 → SXM1

- 2 Tune to the desired channel, and then press and hold (for at least 2 seconds) one of the preset buttons (1 through 6) to store the channel.

The display then shows the stored Band and preset number (for example, SXM1-3 is shown when preset 3 of BAND1 is selected).

- 3 Repeat the procedure to store up to 5 other channels onto the same band.

**Notes**

- A total of 18 channels can be stored in the preset memory, 6 Channels for each band (SXM1, SXM2 and SXM3).
- If you store a new channel into a preset which already has a channel assigned, the current channel will be cleared and replaced with the new one.


## Tuning Channels using Presets

- 1 Press **BAND** to select the desired band of Presets you wish to access.


- 2 Press the preset buttons (1 through 6) that has your desired Satellite Radio channel stored in memory.


## Storing the desired Artist and Song Alerts

While listening to SiriusXM Satellite Radio, you can be alerted when your favorite songs or artists are playing on other channels. An interruption ALERT will be displayed when a matching artist or song is found on another channel. For receiving interruption ALERT information, refer to "Receiving and Tuning to an Alert" on page 35.

- 1 Press and hold  /ENTER/OPTION for at least 2 seconds when a Song or the song of an Artist you want to store is playing.

The Option mode is activated.

- 2 Turn the Rotary encoder to select ALERT MEMO, and then press  /ENTER.

- 3 Turn the Rotary encoder to choose SAVE ART? or SAVE SNG? (when available), and then press  /ENTER.

**Note**

- If both the artist name and song title are not available to save, UNAVAILABLE will be displayed.

- 4 The new alert was stored in memory.

An "ART/SONG SAVED" pop-up screen is followed by an "XX U(sed)/YY E(mpty)".

XX is the total number of song titles or artist names stored in memory, and YY is the total number of memory locations still available for storage.

## Notes

- If you try to store when the memory is full, "MEM FULL" is displayed followed by "REPLACE/CANCEL". If you want to replace an existing alert item, select "REPLACE" by turning **Rotary encoder**, and then press **Q/ENTER**, the existing alert list stored in memory is displayed. Select one of the stored alerts using the **Rotary encoder**. To replace the selected alert, press **Q/ENTER** and an "ART/SONG SAVED" pop-up screen is followed by an "XX U(sed)/YY E(mpty)".
- You can manage the stored Alert memory setting on Setup mode, for details, refer to "Managing Artist and Song Alerts" on page 33.
- If no operation is performed for 60 seconds, the setting mode is canceled.

## Tune Scan Function

While listening to SiriusXM Satellite Radio, you can scan through all the songs you have not yet listened to from your current band of preset channels.

- 1 Press and hold **Q/ENTER/OPTION** for at least 2 seconds when you want to scan the preset music.

The Option mode is activated.

- 2 Turn the **Rotary encoder** to select **TUNE SCAN**, and then press **Q/ENTER**.

The TUNE SCAN mode is activated, and the "**I.R.**" indicator will blink.

Press **Q/ENTER** during scan playback, tune scan mode will be canceled and the selected track will be played back normally, at the same time the "**I.R.**" indicator disappears.

Press **↵** during scan playback to cancel Tune Scan mode. The tuner returns to the channel before Tune Scan was initiated and "SCAN STOP" will be displayed.

## Notes

- This function is available when SiriusXM SXV200 Vehicle Tuner is connected.
- If no operation is performed during the scanning process, when scanning finishes, the next mode depends on the SiriusXM Tuner.
- During Tune Scan mode, the artist name song name will be displayed in the first 3 seconds.
- The SiriusXM Tune scans through the songs from the preset music channels on the current band only, scanning from oldest to newest.

## Tune Start Function

When the user tunes to a preset station that plays music-type content, the SiriusXM tuner plays the currently playing track for that channel from the track start. Therefore, the user can enjoy the full track (i.e., song) rather than playing the channel from the current live play point. To cover the case when the user prefers non-Tune Start Function, you can set TUNE START to OFF, for details, refer to "Setting Tune Start" on page 34.

## Note

- Preset stations that play other than music-type content will start playing the channel from the current live play point when selected.

## Receiving and Tuning to an Alert

Whenever a stored sports team, artist, or song is playing on another channel, an interruption ALERT appears on the unit display. To tune to the game, artist or song identified by the alert, follow the steps below:

- 1 Turn the **Rotary encoder** to select the desired game, artist or song from the list of active alerts.

- 2 Press **Q/ENTER**.

## Notes

- If no operation is performed for 5 seconds, the unit returns to normal mode.
- Sports teams/Artist name and Song title which you have stored and which are currently playing will be displayed in a category called "MY GAMES"/"MY MUSIC" in search mode. For details, refer to "Search Function" on page 35.

## Search Function

You can search for SiriusXM programming content by Category or by Channel.

- 1 Press **Q/ENTER** in the SiriusXM mode.
- 2 Turn the **Rotary encoder** to select the desired Category, and then press **Q/ENTER**.
- 3 Turn the **Rotary encoder** to select the desired Channel Name, and then press **Q/ENTER**.

## Searching by Channel

- 1 Turn the **Rotary encoder** to select **ALL CHANS** after step 1, and then press **Q/ENTER**.  
All Channels will be displayed in a list.
- 2 Turn the **Rotary encoder** to select the desired channel, and then press **Q/ENTER** to confirm.

## Note

- Press **⦿**, the information of the broadcasting channels will be displayed. You can choose the desired channel from the artist name list or song name list.

Each time you press **⦿**, the display changes as below.


Channel number → Channel name → Artist name →


Song name → Channel number

## Searching by My Music

- 1 Turn the **Rotary encoder** to select **MY MUSIC\*** after step 1, and then press **Q/ENTER**.  
The artist names and song names that you have stored and are currently playing will be displayed in a list.  
\* Displayed only when the stored song or artist is broadcasting.
- 2 Turn the **Rotary encoder** to select the desired artist/song, and then press **Q/ENTER** to confirm.  
The channel of the selected artist/song being broadcast is received.


### Note

- Press , the information of the broadcasting channels will be displayed. You can choose the desired channel from the artist name list or song name list.

Each time you press , the display changes as below.

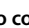
Artist name → Song name → Artist name

## Searching by My Games

- 1 Turn the Rotary encoder to select MY GAMES\* after step 1, and then press  /ENTER.

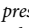
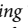
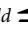
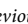
The sport teams that you have stored and the game is currently broadcasting will be displayed in a list.

\* Displayed only when the game of stored team is broadcasting.

- 2 Turn the Rotary encoder to select the desired team, and then press  /ENTER to confirm.


The channel of the selected game being broadcast is received.

### Notes


- During channel search, pressing 1  or 2  to select another Category.
- The Search mode is canceled if you press and hold  for at least 2 seconds, or no operation is performed for 60 seconds in Search mode.
- Press  in the search mode to return to the previous mode.


## Searching by Featured Favorites

Featured Favorites are a collection of channels that are created by the SiriusXM programming team that are updated several times throughout the year.

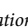
- 1 Turn the Rotary encoder to select FEATURED after step 1, and then press  /ENTER.


The Category that SXM recommends will be displayed in a list.

- 2 Turn the Rotary encoder to select the desired Category, and then press  /ENTER.

- 3 Turn the Rotary encoder to select the desired channel, and then press  /ENTER to confirm.

### Notes

- Press , the information of the selected channels will be displayed. You can choose the desired channel from the artist name list or song name list.

Each time you press , the display changes as below.

Channel No → Channel Name → Artist Name → Song Title

- When the selected Featured Favorites station is not broadcasting, the channel will tune to channel 000 automatically.
- When an unsubscribed Channel is selected, the channel number is marked with “\*”.

## Using Jump Memory and Jump Recall function

- 1 While in SiriusXM mode, select your favorite SiriusXM Channel.

- 2 Press and hold  /II for at least 2 seconds.

The channel you selected is stored as the Jump Source.


- 3 Press and hold BAND for at least 2 seconds to recall, and then tune to the saved Jump Source channel.

### Note

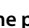
- Pressing and holding BAND again for at least 2 seconds will jump back to the previous mode or SiriusXM channel.

## Replay Function

In SiriusXM mode, you can pause, rewind and replay up to 60 minutes of live SiriusXM Satellite Radio.


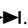
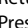
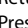
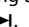
- 1 While listening to a SiriusXM channel, press  /II to enter the Replay mode, which mutes the audio.

The display will show “PAUSED” while in this mode.

- 2 Press  /II again to resume playback of the stored audio from the point at which it was paused.

During playback, the SiriusXM Tuner will continue to store the channel audio until you exit the Replay mode (up to 30 minutes).

### During REPLAY playback:

- Fast rewind:  
Press and hold .
- Fast forward:  
Press and hold .
- Returning to the beginning of the current song:  
Press . (If you press  in the first 2 seconds of a song, you return to the beginning of the previous song.)
- Advancing to the beginning of the next song:  
Press .

### Notes


- If you continue to press Fast forward until the end, the Replay mode is canceled, and the unit will change to live SiriusXM radio mode.
- If you change channels while in Replay mode, the unit will exit Replay mode to live Satellite Radio mode and clear the Replay memory.

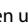
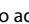
- 3 Press  to cancel the REPLAY mode.

The unit returns to live SiriusXM radio mode.

## Parental Lock Function

This function can help restrict the listening of channels to children of appropriate age levels only. For information on setting the Parental Control passcode, refer to “Setting the Parental Control” on page 33. When a locked channel is selected, a “CH LOCKED” pop-up screen is followed by a “LOCK CODE?”.

Input the 4-digit passcode you set in, and then press  /ENTER, refer to “Setting the Parental Control” on page 33.

Turn the Rotary encoder to select the number from 0-9, and then use  or  to adjust the digit.


The initial number is 0000.

### Notes

- If you input a wrong passcode, “WRONG CODE” is displayed.
- After entering the correct passcode, you can access all locked channels without entering the passcode again until the unit is powered off and then back on.

## Storing iTunes Tagging information

iTunes Tagging lets you tag songs heard on SiriusXM channels. Use this unit in conjunction with an optional SiriusXM Tuner and a Tagging compatible iPod/iPhone to tag the music that you listen to. This tag information is automatically transferred to your iPod/iPhone. Later, when your iPod/iPhone is connected to iTunes, you can preview, buy and download your tagged songs. For details, refer to the Owner's Manual of the Tagging compatible iPod/iPhone. The **Tag** indicator will light when a song playing on a SiriusXM channel has tag information available.

**Press and hold  for at least 2 seconds to save its tag information.**

If no iPod/iPhone is connected, "TAG COUNT X" is displayed (X is the total amount of the tag information stored in this unit).

### Notes

- During tagging, the iPod/iPhone takes priority to save the tag information. If no iPod/iPhone is connected, the tag information is saved to this unit.
- When the memory of iPod/iPhone is full, "iPod FULL" and "TAG COUNT X" are displayed. The tag information will be stored to the unit.
- If the operation is failed, "CANNOT TAG" is displayed.
- This unit can store up to 50 tagged songs. When the memory of the unit is full, "TAGCOUNT50" and "MEMO FULL" are displayed.
- When an iPod that doesn't support the tagging function is connected, "NON-TAGGING IPOD" is displayed.
- When the iPod/iPhone is disconnected from the unit during tagging, its tag information will be stored in the unit.
- If there is stored tag information on the unit, when an iPod/iPhone supporting the tag function is connected, the stored tag information will be transferred to the iPod/iPhone automatically. When the iPod/iPhone memory becomes full, "iPod FULL" will be displayed, and any remaining tag information on the unit will not be transferred to the iPod/iPhone.
- If tag information already exists, "ALREADY TAGGED" will be displayed when you try to tag information again.

## Changing the Display

Text information, such as the channel name, artist name/feature and song/program title, is available with each SiriusXM channel. The unit can display this text information as explained below.

**In SiriusXM mode, press .**

Each time you press this button, the display changes as shown below.

Band/Channel Number → Channel Name\* → Artist Name\* → Song Title\* → Content info.\* → Category Name\* → Clock → Band/Channel Number

\* If there is no text information, nothing will be displayed.

# Information

## In Case of Difficulty

If you encounter a problem, please turn the power off, then on again. If the unit is still not functioning normally, please review the items in the following checklist. This guide will help you isolate the problem if the unit is at fault. Otherwise, make sure the rest of your system is properly connected or consult your authorized Alpine dealer.

### Basic

**No function or display.**

- Vehicle's ignition is off.
  - If connected following instructions, the unit will not operate with the vehicle's ignition off.
- Improper power lead (Red) and battery lead (Yellow) connections.
  - Check power lead and battery lead connections.
- Blown fuse.
  - Check the fuse of the unit; replace with the proper value if necessary.
- Internal micro-computer malfunctioned due to interference noise etc.
  - Press the **RESET** button with a ballpoint pen or other pointed article.

### Radio

**Unable to receive stations.**

- No antenna or open connection in cable.
  - Make sure the antenna is properly connected; replace the antenna or cable if necessary.

**Unable to tune stations in the seek mode.**

- You are in a weak signal area.
  - Make sure the tuner is in the DX mode.
- If the area you are in is a primary signal area, the antenna may not be grounded and connected properly.
  - Check your antenna connections; make sure the antenna is properly grounded at its mounting location.
- The antenna may not be the proper length.
  - Make sure the antenna is fully extended; if broken, replace the antenna with a new one.

**Broadcast is noisy.**

- The antenna is not the proper length.
  - Extend the antenna fully; replace it if it is broken.
- The antenna is poorly grounded.
  - Make sure the antenna is grounded properly at its mounting location.

### CD (CDE-SXM145BT/CDE-143BT only)

**CD Player not functioning.**

- Out of operating temperature range +50°C (+120°F) for CD.
  - Allow the vehicle's interior (or trunk) temperature to cool.

**CD playback sound is wavering.**

- Moisture condensation in the CD Module.
  - Allow enough time for the condensation to evaporate (about 1 hour).

**CD insertion not possible.**

- A CD is already in the CD player.
  - Eject the CD and remove it.

- The CD is being improperly inserted.
  - Make sure the CD is being inserted following instructions in the CD Player Operation section.

#### Unable to fast forward or backward the CD.

- The CD has been damaged.
  - Eject the CD and discard it; using a damaged CD in your unit can cause damage to the mechanism.

#### CD playback sound skips due to vibration.

- Improper mounting of the unit.
  - Securely re-mount the unit.
- The disc is very dirty.
  - Clean the disc.
- The disc has scratches.
  - Change the disc.
- The pick-up lens is dirty.
  - Do not use a commercially available lens cleaner disc. Consult your nearest Alpine dealer.

#### CD playback sound skips without vibration.

- The disc is dirty or scratched.
  - Clean the disc; damaged disc should be replaced.

#### Error displays (built-in CD player only).

- Mechanical error
  - Press **▲**. After the error indication disappears, insert the disc again. If the above-mentioned solution does not solve the problem, consult your nearest Alpine dealer.

#### CD-R/CD-RW playback not possible.

- Close session (finalisation) has not been performed.
  - Perform finalisation and attempt playback again.

## MP3/WMA

#### MP3/WMA is not played back.

- Writing error occurred. The MP3/WMA format is not compatible.
  - Make sure the MP3/WMA has been written in a supported format. Refer to “About MP3/WMA” on page 13, then rewrite in the format supported by this device.

## Audio

#### The sound is not output from the speakers.

- Unit has no output signal of the internal amplifier.
  - POWER IC is switched to “ON”, refer to “Connecting to an External Amplifier (POWER IC)” on page 17.

## iPod

#### iPod does not play and no sound is output.

- The iPod has not been recognised.
  - Reset this unit and the iPod. Refer to “Initial System Start-Up” on page 10. To reset the iPod, refer to the Owner’s Manual of the iPod.

## Indication for CD Player (CDE-SXM145BT/ CDE-143BT only)

### NO DISC

- No CD is inserted.
  - Insert a CD.
- Although a disc is inserted, “NO DISC” is displayed and the unit does not start to play or eject the disc.
  - Remove the disc by following these steps:
    - Press the **▲** button again for at least 2 seconds.
    - If the disc still does not eject, consult your Alpine dealer.

### ERROR

- Mechanism error.
  - 1 Press the **▲** button and eject the CD. If not ejecting, consult your Alpine dealer.
  - 2 When the error indication remains after ejecting, press the **▲** button again. If the error indication still does not turn off after pressing the **▲** button for a few times, consult your Alpine dealer.
- When “ERROR” is displayed:
  - If the disc cannot be ejected by pressing **▲**, press the **RESET** button (Refer to “Initial System Start-Up” on page 10) and press **▲** again.
  - If the disc still cannot be ejected, consult your Alpine dealer.

### PROTECT

- A copy-protected WMA file was played back.
  - You can only play back non-copy-protected files.

### UNSUPPORTED

- A sampling rate/bit rate not supported by the unit is used.
  - Use a sampling rate/bit rate that is supported by the unit.

## Indication for Flash Memory

### DEVICE ERR

- A USB device that is not supported by the unit is connected.
  - Connect a USB device that is supported by the unit.

### NO DEVICE

- A Flash Memory Device is not connected.
  - Make sure the Flash Memory device is correctly connected and the cable is not excessively bent.

### NO FILE

- No MP3/WMA (file) is stored in the Flash Memory.
  - Connect the Flash Memory device after storing songs (files).

### PROTECT

- A copy-protected WMA file was played back.
  - You can only play back non-copy-protected files.

### UNSUPPORTED

- A sampling rate/bit rate not supported by the unit is used.
  - Use a sampling rate/bit rate that is supported by the unit.

### NO SUPPORT

- Text information that is not recognizable by the unit has been input.
  - Use a Flash Memory device with input text information that is supported by the unit.

## ERROR

- Communication error or others
    - Change to other source.
    - Turn the power off.
    - Turn the ignition key off, and then set to ON again.
- 

## ERROR-01

- Communication error
    - Turn the ignition key off, and then set to ON again.
    - Check the display by reconnecting between the Flash Memory and this unit.
- 

## ERROR-04

- Power surge error  
Excessive voltage/current is supplied to the Flash Memory.
    - Try another Flash Memory, if available.
- 

## Indication for iPod Mode

### NO DEVICE

- The iPod/iPhone is not connected.
    - Make sure the iPod/iPhone is correctly connected (Refer to “Connecting an iPod/iPhone” on page 29).  
Make sure the cable is not bent excessively.
- 

### NO SONG

- There are no songs in the iPod/iPhone.
    - Download songs to the iPod/iPhone and connect to this unit.
- 

## ERROR-01

- Communication error
    - Turn the ignition key off, and then set to ON again.
    - Check the display by reconnecting between the iPod/iPhone and this unit, using the iPod/iPhone cable.
- 

## ERROR-02

- Caused by the iPod/iPhone Software Version not being compatible with this unit.
    - Update the iPod/iPhone Software Version to be compatible with this unit.
- 

## ERROR-03

- The iPod/iPhone is not verified.
    - Reset the iPod.
    - Try another iPod/iPhone, if available.
- 

## ERROR-04

- Power surge error  
Excessive voltage/current is supplied to the iPod/iPhone.
    - Try another iPod/iPhone, if available.
    - Turn the power off.
    - Turn the ignition key off, and then set to ON again.
- 

## BLUETOOTH mode

### NO UNIT

- The BLUETOOTH device is not connected.
    - Connect the BLUETOOTH device.
- 

## SiriusXM Advisory Messages (CDE-SXM145BT only)

The following messages may be displayed while operating the unit in SiriusXM mode.

### CHEK TUNER

- The SiriusXM Tuner is disconnected or the unit is having trouble communicating with the Tuner.
    - Connect the Tuner or check the Tuner connection to the back of the unit.
- 

### CHK ANTENA

- The SiriusXM Satellite Radio antenna or cable is either damaged or not connected correctly to the SiriusXM Tuner.
    - Check that the SiriusXM antenna cable is connected to the SiriusXM Tuner and check that the antenna cable is not kinked or otherwise damaged. Replace the antenna if necessary.
- 

### NO SIGNAL

- The SiriusXM satellite signal is too weak at the current location.
    - Move the vehicle to a location with a clear view of the southern sky.
    - Make sure the Satellite Radio antenna is properly mounted and not obstructed by metal objects.
- 

### CHAN UNSUB

- The active channel has become unsubscribed or the requested channel is not available in your subscription package.

#### Note

- *The unit will revert to the previous selected channel or to channel 1 automatically.*
    - Visit [www.siriusxm.com](http://www.siriusxm.com) for information on subscribing to this channel.
-

## CH UNAVAIL

- The active channel is no longer in the SiriusXM channel lineup or the user has entered an invalid channel number.

### Note

- *The unit will revert to the previous channel or to channel 1 automatically.*
  - Visit [www.siriusxm.com](http://www.siriusxm.com) for information on the current channel lineup.
- 

## SUBSCRIPTN → UPDATED

- Your subscription has been updated.
    - Press any button to clear this message.
- 

## CH LOCKED → LOCK CODE? → \*

- A locked channel is selected.
  - Input the passcode. On how to input passcode, refer to “Setting the Parental Control” on page 33.

### Note

- *If wrong passcode is input, “WRONG CODE” will be displayed and the unit will revert to the previous selected channel.*

## MEMORY

- Buffer for Replay will full within 11 seconds.
- 

## MEM FULL

- Buffer for Replay is full.
-



## Specifications

### FM TUNER SECTION

Tuning Range	87.7~107.9 MHz
Mono Usable Sensitivity	9.3 dBf (0.8 $\mu$ V/75 ohms)
50 dB Quieting Sensitivity	13.5 dBf (1.3 $\mu$ V/75 ohms)
Alternate Channel Selectivity	80 dB
Signal-to-Noise Ratio	65 dB
Stereo Separation	35 dB
Capture Ratio	2.0 dB

### AM TUNER SECTION

Tuning Range	530~1,710 kHz
Sensitivity (IEC Standard)	22.5 $\mu$ V/27 dB

### CD PLAYER SECTION

Frequency Response	5~20,000 Hz ( $\pm$ 1 dB)
Wow & Flutter (% WRMS)	Below measurable limits
Total Harmonic Distortion	0.008% (at 1 kHz)
Dynamic Range	95 dB (at 1 kHz)
Signal-to-Noise Ratio	105 dB
Channel Separation	85 dB (at 1 kHz)

### PICKUP

Wave length	795 nm
Laser power	CLASS I

### USB SECTION

USB requirements	USB 1.1/2.0
Max. Power Consumption	1,000 mA
USB Class	Mass Storage
File System	FAT 12/16/32
MP3 Decoding	MPEG AUDIO Layer-3
WMA Decoding	Windows Media™ Audio

### BLUETOOTH SECTION

BLUETOOTH Specification	BLUETOOTH V 3.0
Output Power	+4 dBm Max. (Power class 2)
Profile	HFP (Hands-Free Profile) HSP (Head Set Profile) A2DP (Advanced Audio Distribution Profile) AVRCP (Audio/Video Remote Control Profile)

### GENERAL

Power Requirement	14.4 V DC (11~16 V allowable)
Power Output	18 W RMS $\times$ 4*

#### \* Primary amplifier ratings per CEA-2006 Standard

- Power output: measured at 4 Ohms and  $\leq$  1% THD+N
- S/N: 80 dBA (reference: 1 W into 4 Ohms)

Maximum Pre-Output Voltage	2 V/10 k ohms
Bass	$\pm$ 14 dB at 100 Hz
Mid	$\pm$ 14 dB at 1 kHz
Treble	$\pm$ 14 dB at 10 kHz
Loudness	10 dB at 100 Hz
Weight	1.194 kg (2 lbs. 10 oz) (CDE-SXM145BT/ CDE-143BT) 0.854 kg (1 lbs. 14 oz) (UTE-42BT)

### CHASSIS SIZE

Width	178 mm (7")
Height	50 mm (2")
Depth	161.5 mm (6-3/8")

### NOSEPIECE SIZE

Width	169 mm (6-3/4")
Height	45 mm (1-3/4")
Depth	25 mm (1")

### Note

- Due to continuous product improvement, specifications and design are subject to change without notice.

---

---

# Installation and Connections

Before installing or connecting the unit, please read the following and refer to "Operating Instructions" on page 6 for proper use.

## WARNING

---

### MAKE THE CORRECT CONNECTIONS.

Failure to make the proper connections may result in fire or product damage.

---

### USE ONLY IN CARS WITH A 12 VOLT NEGATIVE GROUND.

(Check with your dealer if you are not sure.) Failure to do so may result in fire, etc.

---

### BEFORE WIRING, DISCONNECT THE CABLE FROM THE NEGATIVE BATTERY TERMINAL.

Failure to do so may result in electric shock or injury due to electrical shorts.

---

### DO NOT SPLICE INTO ELECTRICAL CABLES.

Never cut away cable insulation to supply power to other equipment. Doing so will exceed the current carrying capacity of the wire and result in fire or electric shock.

---

### DO NOT DAMAGE PIPE OR WIRING WHEN DRILLING HOLES.

When drilling holes in the chassis for installation, take precautions so as not to contact, damage or obstruct pipes, fuel lines, tanks or electrical wiring. Failure to take such precautions may result in fire.

---

### DO NOT USE BOLTS OR NUTS IN THE BRAKE OR STEERING SYSTEMS TO MAKE GROUND CONNECTIONS.

Bolts or nuts used for the brake or steering systems (or any other safety-related system), or tanks should NEVER be used for installations or ground connections. Using such parts could disable control of the vehicle and cause fire etc.

---

### KEEP SMALL OBJECTS SUCH AS BATTERIES OUT OF THE REACH OF CHILDREN.

Swallowing them may result in serious injury. If swallowed, consult a physician immediately.

---

### DO NOT INSTALL IN LOCATIONS WHICH MIGHT HINDER VEHICLE OPERATION, SUCH AS THE STEERING WHEEL OR GEARSHIFT.

Doing so may obstruct forward vision or hamper movement etc. and results in serious accident.

---

### DO NOT ALLOW CABLES TO BECOME ENTANGLED IN SURROUNDING OBJECTS.

Arrange wiring and cables in compliance with the manual to prevent obstructions when driving. Cables or wiring that obstruct or hang up on places such as the steering wheel, gear lever, brake pedals, etc. can be extremely hazardous.

---

## CAUTION

---

### HAVE THE WIRING AND INSTALLATION DONE BY EXPERTS.

The wiring and installation of this unit requires special technical skill and experience. To ensure safety, always contact the dealer where you purchased this product to have the work done.

---

### USE SPECIFIED ACCESSORY PARTS AND INSTALL THEM SECURELY.

Be sure to use only the specified accessory parts. Use of other than designated parts may damage this unit internally or may not securely install the unit in place. This may cause parts to become loose resulting in hazards or product failure.

---

### ARRANGE THE WIRING SO IT IS NOT CRIMPED OR PINCHED BY A SHARP METAL EDGE.

Route the cables and wiring away from moving parts (like the seat rails) or sharp or pointed edges. This will prevent crimping and damage to the wiring. If wiring passes through a hole in metal, use a rubber grommet to prevent the wire's insulation from being cut by the metal edge of the hole.

---

### DO NOT INSTALL IN LOCATIONS WITH HIGH MOISTURE OR DUST.

Avoid installing the unit in locations with high incidence of moisture or dust. Moisture or dust that penetrates into this unit may result in product failure.

---

## PRECAUTIONS

- Be sure to disconnect the cable from the (-) battery post before installing your CDE-SXM145BT/CDE-143BT/UTE-42BT. This will reduce any chance of damage to the unit in case of a short-circuit.
- Be sure to connect the color coded leads according to the diagram. Incorrect connections may cause the unit to malfunction or damage to the vehicle's electrical system.
- When making connections to the vehicle's electrical system, be aware of the factory installed components (e.g. on-board computer). Do not tap into these leads to provide power for this unit. When connecting the CDE-SXM145BT/CDE-143BT/UTE-42BT to the fuse box, make sure the fuse for the intended circuit of the CDE-SXM145BT/CDE-143BT/UTE-42BT has the appropriate amperage. Failure to do so may result in damage to the unit and/or the vehicle. When in doubt, consult your Alpine dealer.
- The CDE-SXM145BT/CDE-143BT/UTE-42BT uses female RCA-type jacks for connection to other units (e.g. amplifier) having RCA connectors. You may need an adaptor to connect other units. If so, please contact your authorized Alpine dealer for assistance.
- Be sure to connect the speaker (-) leads to the speaker (-) terminal. Never connect left and right channel speaker cables to each other or to the vehicle body.

---

### IMPORTANT

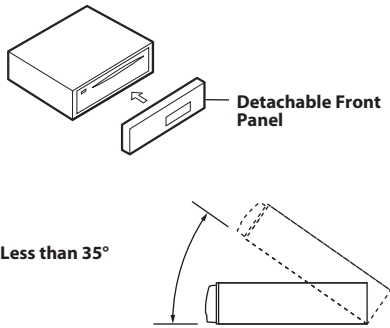
Please record the serial number of your unit in the space provided below and keep it as a permanent record. The serial number or the engraved serial number is located on the bottom of the unit.

SERIAL NUMBER: [	]
INSTALLATION DATE: [	]
INSTALLATION TECHNICIAN: [	]
PLACE OF PURCHASE: [	]

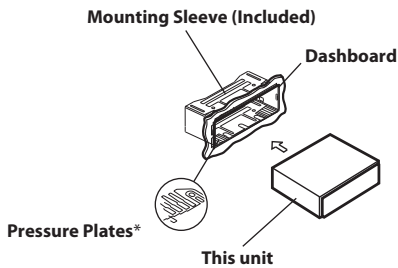
## Installation

### CAUTION

When you install this unit in your car, do not remove the detachable front panel.  
If the detachable front panel is removed during installation, you might press too hard and warp the metal plate that holds it in place.  
The main unit must be mounted within 35 degrees of the horizontal plane, back to front.



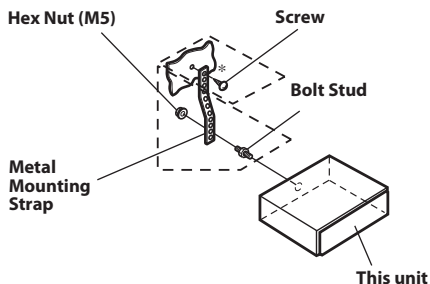
- 1 Remove the mounting sleeve from the main unit (Refer to "Removal" on page 43).



\* If the installed mounting sleeve is loose in the dashboard, the pressure plates may be bent slightly to remedy the problem.

- 2 Reinforce the head unit with the metal mounting strap (not supplied). Secure the ground lead of the unit to a clean metal spot.

Connect each input lead coming from an amplifier to the corresponding output lead coming from the left rear of the CDE-SXM145BT/CDE-143BT/UTE-42BT. Connect all other leads of the CDE-SXM145BT/CDE-143BT/UTE-42BT according to details described in the CONNECTIONS section.



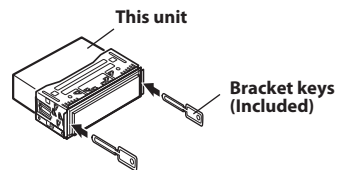
### Note

- For the screw marked "\*", use an appropriate screw for the chosen mounting location.

- 3 Slide the CDE-SXM145BT/CDE-143BT/UTE-42BT into the dashboard until it clicks. This ensures that the unit is properly locked and will not accidentally come out from the dashboard. Install the detachable front panel.

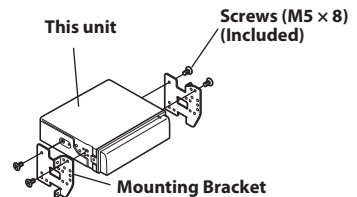
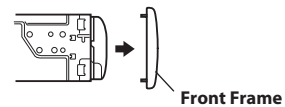
## Removal

- 1 Remove the detachable front panel.
- 2 Insert the bracket keys into the unit, along the guides on either side. The unit can now be removed from the mounting sleeve.



- 3 Pull the unit out, keeping it unlocked as you do so.

### JAPANESE CAR



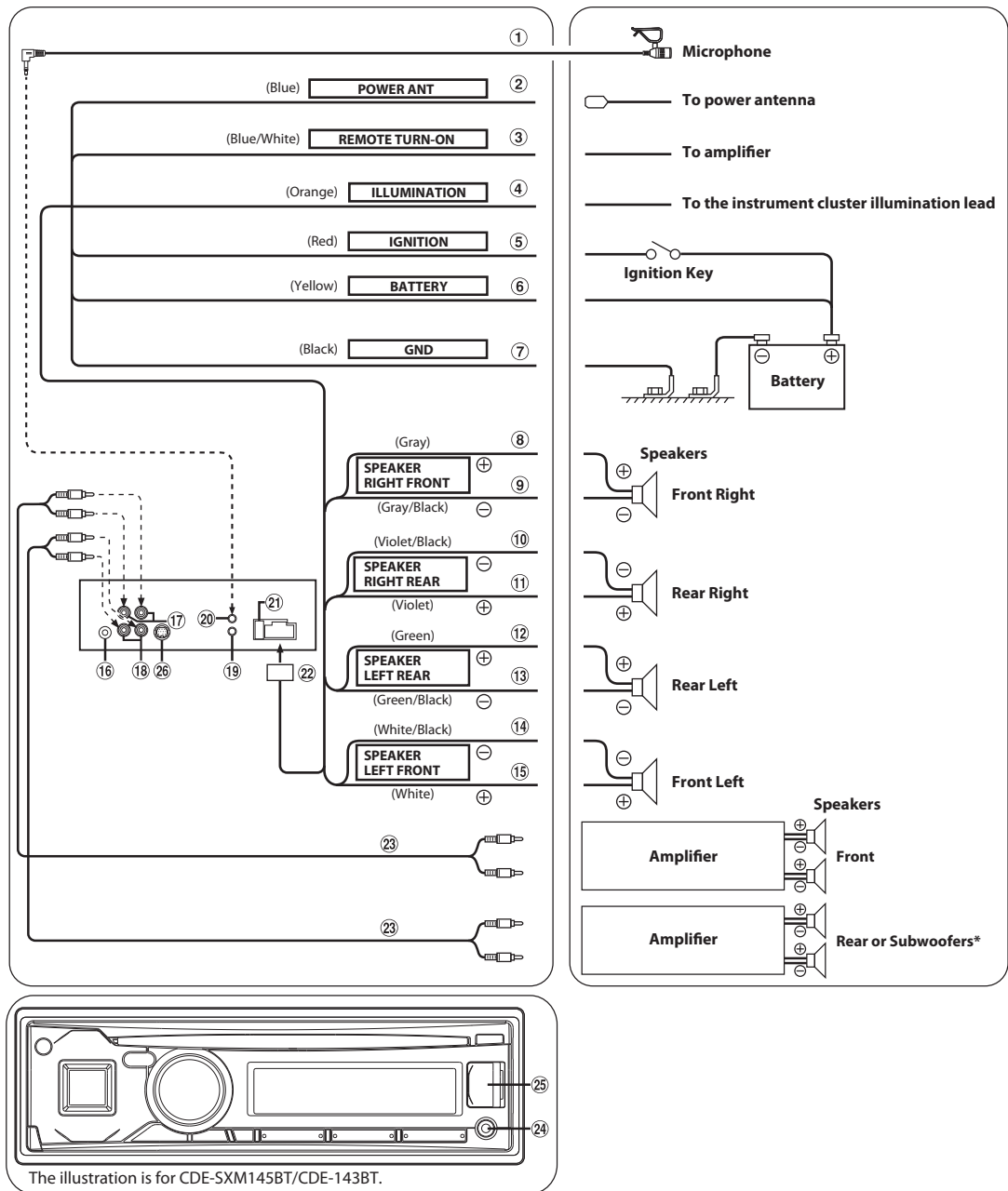
## Mounting the Microphone

For the sake of safety, mount the microphone in the following location.

- In a stable and secure location.
- In a location that does not inhibit safely driving the vehicle.
- Mount the microphone in a location where the driver's voice can easily be picked up.

Choose a location for the microphone that can easily pick up the drivers voice. Requiring the driver to move towards the microphone for audibility causes a distraction that could be dangerous.

# Connections



\* When Subwoofer is OFF: Output is for Rear speakers. When Subwoofer is ON: Output is for Subwoofer. For details on how to set the Subwoofer to ON/OFF, refer to "Turning Subwoofer ON/OFF" on page 17.

- ① **Microphone (Supplied)**
- ② **Power Antenna Lead (Blue)**  
Connect this lead to the +B terminal of your power antenna, if applicable.  
**Note**
  - This lead should be used only for controlling the vehicle's power antenna. Do not use this lead to turn on an amplifier or a signal processor, etc.
- ③ **Remote Turn-On Lead (Blue/White)**  
Connect this lead to the remote turn-on lead of your amplifier or signal processor.
- ④ **Illumination Lead (Orange)**  
This lead may be connected to the vehicle's instrument cluster illumination lead. This will allow the backlighting of this unit to dim whenever the vehicle's lights are turned on.
- ⑤ **Switched Power Lead (Ignition) (Red)**  
Connect this lead to an open terminal on the vehicle's fuse box or another unused power source which provides (+) 12V only when the ignition is turned on or in the accessory position.
- ⑥ **Battery Lead (Yellow)**  
Connect this lead to the positive (+) post of the vehicle's battery.
- ⑦ **Ground Lead (Black)**  
Connect this lead to a good chassis ground on the vehicle. Make sure the connection is made to bare metal and is securely fastened using the sheet metal screw provided.
- ⑧ **Right Front (+) Speaker Output Lead (Gray)**
- ⑨ **Right Front (-) Speaker Output Lead (Gray/Black)**
- ⑩ **Right Rear (-) Speaker Output Lead (Violet/Black)**
- ⑪ **Right Rear (+) Speaker Output Lead (Violet)**
- ⑫ **Left Rear (+) Speaker Output Lead (Green)**
- ⑬ **Left Rear (-) Speaker Output Lead (Green/Black)**
- ⑭ **Left Front (-) Speaker Output Lead (White/Black)**
- ⑮ **Left Front (+) Speaker Output Lead (White)**
- ⑯ **Antenna Receptacle**
- ⑰ **Front Output RCA Connectors**  
RED is down and WHITE is up.
- ⑱ **Rear/Subwoofer Output RCA Connectors**
- ⑲ **Steering Remote Control Interface Connector**  
To steering remote control interface box.  
You can operate this unit from the vehicle's control unit when an Alpine Steering Remote Control Interface Box (optional) is connected. For details, contact your Alpine dealer.
- ⑳ **MIC Input Connector**  
To Microphone.
- ㉑ **Fuse Holder (10A)**
- ㉒ **Power Supply Connector**
- ㉓ **RCA Extension Cable (sold separately)**
- ㉔ **Front AUX Input Terminal**  
This terminal allows for input of audio from an external device (such as a portable player), using a commercially-available converter cable.
- ㉕ **USB Terminal**  
Connect this to a Flash Memory or an iPod/iPhone (sold separately).
- ㉖ **SiriusXM Tuner connector (CDE-SXM145BT only)**  
Connect to a SiriusXM Tuner.

**To prevent external noise from entering the audio system.**

- Locate the unit and route the leads at least 10 cm away from the car harness.
- Keep the battery power leads as far away from other leads as possible.
- Connect the ground lead securely to a bare metal spot (remove any paint, dirt or grease if necessary) of the car chassis.
- If you add an optional noise suppressor, connect it as far away from the unit as possible. Your Alpine dealer carries various noise suppressors, contact them for further information.
- Your Alpine dealer knows best about noise prevention measures so consult your dealer for further information.



## LIMITED WARRANTY

ALPINE ELECTRONICS OF AMERICA, INC. AND ALPINE OF CANADA INC. ("Alpine"), are dedicated to quality craftsmanship and are pleased to offer this Warranty. We suggest that you read it thoroughly. Should you have any questions, please contact your Dealer or contact Alpine at one of the telephone numbers listed below.

### ● PRODUCTS COVERED:

This Warranty covers Car Audio Products and Related Accessories ("the product"). Products purchased in the Canada are covered only in the Canada. Products purchased in the U.S.A. are covered only in the U.S.A.

### ● LENGTH OF WARRANTY:

This Warranty is in effect for one year from the date of the first consumer purchase.

### ● WHO IS COVERED:

This Warranty only covers the original purchaser of the product, who must reside in the United States, Puerto Rico or Canada.

### ● WHAT IS COVERED:

This Warranty covers defects in materials or workmanship (parts and labor) in the product.

### ● WHAT IS NOT COVERED:

This Warranty does not cover the following:

- ① Damage occurring during shipment of the product to Alpine for repair (claims must be presented to the carrier).
- ② Damage caused by accident or abuse, including burned voice coils caused by over-driving the speaker (amplifier level is turned up and driven into distortion or clipping). Speaker mechanical failure (e.g. punctures, tears or rips). Cracked or damaged LCD panels. Dropped or damaged hard drives.
- ③ Damage caused by negligence, misuse, improper operation or failure to follow instructions contained in the Owner's manual.
- ④ Damage caused by act of God, including without limitation, earthquake, fire, flood, storms or other acts of nature. Any cost or expense related to the removal or reinstallation of the product.
- ⑤ Service performed by an unauthorized person, company or association.
- ⑥ Any product which has the serial number defaced, altered or removed.
- ⑦ Any product which has been adjusted, altered or modified without Alpine's consent.
- ⑧ Any product not distributed by Alpine within the United States, Puerto Rico or Canada.
- ⑨ Any product not purchased from an Authorized Alpine Dealer.

### ● HOW TO OBTAIN WARRANTY SERVICE:

- ① You are responsible for delivery of the product to an Authorized Alpine Service Center or Alpine for repair and for payment of any initial shipping charges. Alpine will, at its option, repair or replace the product with a new or reconditioned product without charge. If the repairs are covered by the warranty, and if the product was shipped to an Authorized Alpine Service Center or Alpine, Alpine will pay the return shipping charges.
- ② You should provide a detailed description of the problem(s) for which service is required.

③ You must supply proof of your purchase of the product.

④ You must package the product securely to avoid damage during shipment. To prevent lost packages it is recommended to use a carrier that provides a tracking service.

### ● HOW WE LIMIT IMPLIED WARRANTIES:

ANY IMPLIED WARRANTIES INCLUDING FITNESS FOR USE AND MERCHANTABILITY ARE LIMITED IN DURATION TO THE PERIOD OF THE EXPRESS WARRANTY SET FORTH ABOVE AND NO PERSON IS AUTHORIZED TO ASSUME FOR ALPINE ANY OTHER LIABILITY IN CONNECTION WITH THE SALE OF THE PRODUCT.

### ● HOW WE EXCLUDE CERTAIN DAMAGES:

ALPINE EXPRESSLY DISCLAIMS LIABILITY FOR INCIDENTAL AND CONSEQUENTIAL DAMAGES CAUSED BY THE PRODUCT. THE TERM "INCIDENTAL DAMAGES" REFERS TO EXPENSES OF TRANSPORTING THE PRODUCT TO THE ALPINE SERVICE CENTER, LOSS OF THE ORIGINAL PURCHASER'S TIME, LOSS OF THE USE OF THE PRODUCT, BUS FARES, CAR RENTALS OR OTHERS COSTS RELATING TO THE CARE AND CUSTODY OF THE PRODUCT. THE TERM "CONSEQUENTIAL DAMAGES" REFERS TO THE COST OF REPAIRING OR REPLACING OTHER PROPERTY WHICH IS DAMAGED WHEN THIS PRODUCT DOES NOT WORK PROPERLY. THE REMEDIES PROVIDED UNDER THIS WARRANTY ARE EXCLUSIVE AND IN LIEU OF ALL OTHERS.

### ● HOW STATE/PROVINCIAL LAW RELATES TO THE WARRANTY:

This Warranty gives you specific legal rights, and you may also have other rights which vary from state to state and province to province. In addition, some states/provinces do not allow limitations on how long an implied warranty lasts, and some do not allow the exclusion or limitation of incidental or consequential damages. Accordingly, limitations as to these matters contained herein may not apply to you.

### ● IN CANADA ONLY:

This Warranty is not valid unless your Alpine car audio product has been installed in your vehicle by an Authorized Installation Center, and this warranty stamped upon installation by the installation center.

### ● HOW TO CONTACT CUSTOMER SERVICE:

Should the product require service, please call the following number for your nearest Authorized Alpine Service Center.

<b>CAR AUDIO</b>	<b>1-800-ALPINE-1 (1-800-257-4631)</b>
<b>NAVIGATION</b>	<b>1-888-NAV-HELP (1-888-628-4357)</b>

Or visit our website at; <http://www.alpine-usa.com>

**ALPINE ELECTRONICS OF AMERICA, INC.,** 19145 Gramercy Place, Torrance, California 90501, U.S.A.

**ALPINE ELECTRONICS OF CANADA, INC.,** 777 Supertest Road, Toronto, Ontario M3J 2M9, Canada

Do not send products to these addresses.

Call the toll free telephone number or visit the website to locate a service center.

## About the Rules of Bluetooth Electromagnetic Radiation Regulation

<b>USA/Canada</b>	<b>FCC CAUTION</b> Changes or modifications not expressly approved by the party responsible for compliance could void the user's authority to operate the equipment. This device complies with Part 15 of FCC Rules and Industry Canada licence-exempt RSS standard(s). Operation is subject to the following two conditions: (1) this device may not cause interference, and (2) this device must accept any interference, including interference that may cause undesired operation of this device. Le présent appareil est conforme aux la partie 15 des règles de la FCC et CNR d'Industrie Canada applicables aux appareils radio exempts de licence. L'exploitation est autorisée aux deux conditions suivantes : (1) l'appareil ne doit pas produire de brouillage, et (2) l'utilisateur de l'appareil doit accepter tout brouillage radioélectrique subi, même si le brouillage est susceptible d'en compromettre le fonctionnement. This equipment complies with FCC/IC radiation exposure limits set forth for an uncontrolled environment and meets the FCC radio frequency (RF) Exposure Guidelines in Supplement C to OET65 and RSS-102 of the IC radio frequency (RF) Exposure rules. This equipment has very low levels of RF energy that it deemed to comply without maximum permissive exposure evaluation (MPE). But it is desirable that it should be installed and operated keeping the radiator at least 20cm or more away from person's body (excluding extremities: hands, wrists, feet and ankles). Cet équipement est conforme aux limites d'exposition aux rayonnements énoncées pour un environnement non contrôlé et respecte les règles les radioélectriques (RF) de la FCC lignes directrices d'exposition dans le Supplément C à OET65 et d'exposition aux fréquences radioélectriques (RF) CNR-102 de l'IC. Cet équipement émet une énergie RF très faible qui est considérée conforme sans évaluation de l'exposition maximale autorisée. Cependant, cet équipement doit être installé et utilisé en gardant une distance de 20 cm ou plus entre le dispositif rayonnant et le corps (à l'exception des extrémités : mains, poignets, pieds et chevilles).
<b>México</b>	La operación de este equipo está sujeta a las siguientes dos condiciones: (1) es posible que este equipo o dispositivo no cause interferencia perjudicial y (2) este equipo o dispositivo debe aceptar cualquier interferencia, incluyendo la que pueda causar su operación no deseada.

Don't forget to take a moment to protect your purchase by registering your product now at the following address: [www.alpine-usa.com/registration](http://www.alpine-usa.com/registration).

N'oubliez pas de consacrer un moment à la protection de votre achat en enregistrant votre produit dès maintenant à l'adresse suivante : [www.alpine-usa.com/registration](http://www.alpine-usa.com/registration).

Recuerde que con solo unos pocos pasos podrá proteger su producto, registrándolo a través de la siguiente dirección: [www.alpine-usa.com/registration](http://www.alpine-usa.com/registration).