





WBSIac 3X3 Quick Installation Guide

	This Quick Installation Guide describes the installation of the WBSIac 3X3 Access Point Unit. This guide is intended for experienced installers.
	Certain versions of this device comply with part 15 of the FCC Rules. In these cases, operation is subject to the following two conditions: (1) This device may not cause harmful interference, and (2) this device must accept any interference received, including interference that may cause undesired operation".

Package Content

- WBSIac 3X3 Access Point unit
- WBSIac 3X3 Access Point QIG flyer
- 12V DC Power Adapter (Please check with Sales for ordering configuration, if PoE is required, it should be order separately)
- Mounting Bracket
- Wall/Ceiling mounting hardware kit including:
 - Screws P3.5X32 (Qty. 2) and P2.6X12 (Qty.2)
 - Mounting Anchors (Qty.2)
- T-Rail mounting hardware kit including:
 - Screws P2.6X10 (Qty. 2) and P2.6X25 (Qty. 2)
 - T-Rail connector 2.38cm(15/16in) (Qty.2)
 - T-Rail connector 1.43cm(6/16in) (Qty.2)
 - Spacers (Qty.2)

For further information, please contact Alvarion Technical Support at: support@alvarion.com



WBSIac 3X3 AP Connections

1. Connect your computer Ethernet port of the AP unit to configure it.
2. Connect the DC plug of the provided power adapter into the DC power jack on the WBSIac 3X3 unit, and then insert the other end into an appropriate power outlet.
3. In case of PoE is been used (ordered separately),LAN (IN) port of the POE injector will be connected to your computer and POE (OUT) port will be connected to the Ethernet port of the AP unit.



Warning: This device complies with IEEE 802.3af PoE specification. Do not use any PoE injectors that are not IEEE 802.3af compliant as they may damage your device



After completing the connection, please check the status of the LEDs. For the full LED description, refer to the user manual.

Indicator	LED Name	Status
	Power	On: Power On and ready for operation Blink: Device Booting Off: No power
	Ethernet	On: Link Active (Amber-10/100Mbps;Green-1000Mbps) Blink: Transmitting and Receiving data Off: No Ethernet link detected
	Wireless Radio	On: Radio Enabled (Amber – 2.4GHz; Green-5GHz) Blink: Transmitting and Receiving data Off: Radio Disabled

For further information, please contact Alvarion Technical Support at: support@alvarion.com



WBSIac AP Configuration

Open the web browser. At the Address bar, input the IP address of the access point, <http://192.168.1.1> then press “**Enter**” on the keyboard.



Input the default user name and password below,

Username: admin

Password: admin



Note: Remember to change your password for security purposes

For further information, please contact Alvarion Technical Support at: support@alvarion.com

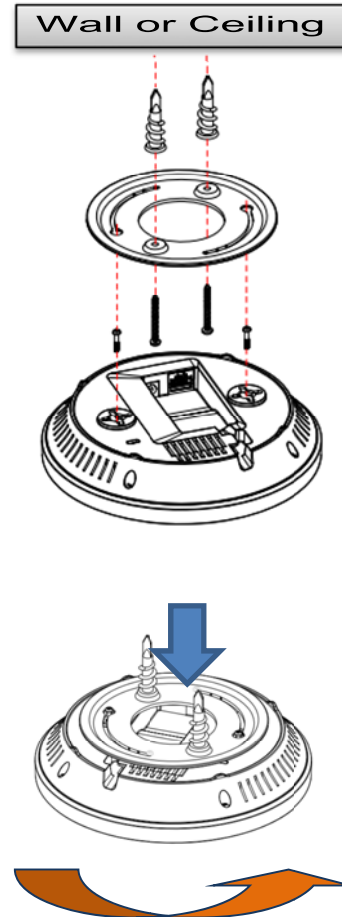


Mounting Illustration

The WBSlac 3x3 Access Point unit can be wall-mounted or mounted on a ceiling, using provided hardware. Perform the following steps for the appropriate installation.

Wall-Mount or Ceiling –Mount using the mounting bracket

1. Attach the mounting bracket to the wall or ceiling using the provided wall/ceiling mounting hardware kit (P3.5x32 screws and Mounting Anchors).
2. Insert the provided P2.6x12 screws into the bottom cover of the WBSlac 3X3 unit.
3. Leave enough of the screws exposed to ensure that the unit can be attached to the mounting bracket. If extra space is required, use the provided spacers and long screws from the T-Rail mounting hardware kit to increase the space between the unit and the mounting bracket.
4. Mount the WBSlac 3X3 unit on the mounted mounting bracket by rotating the unit clockwise about 90 degrees to secure it in place.

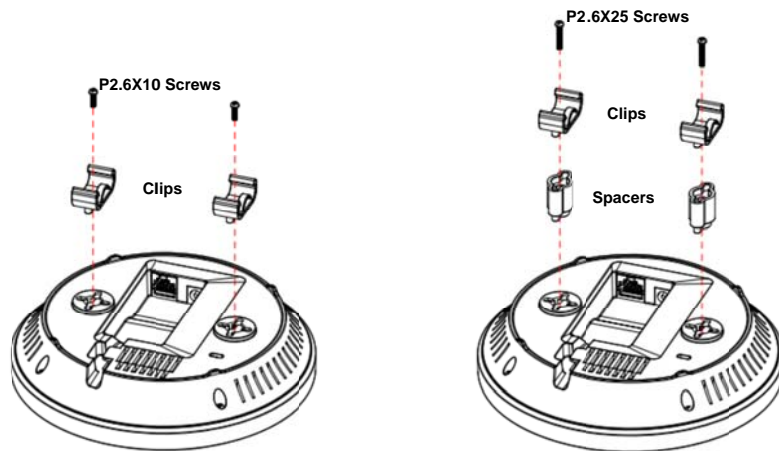


For further information, please contact Alvarion Technical Support at: support@alvarion.com

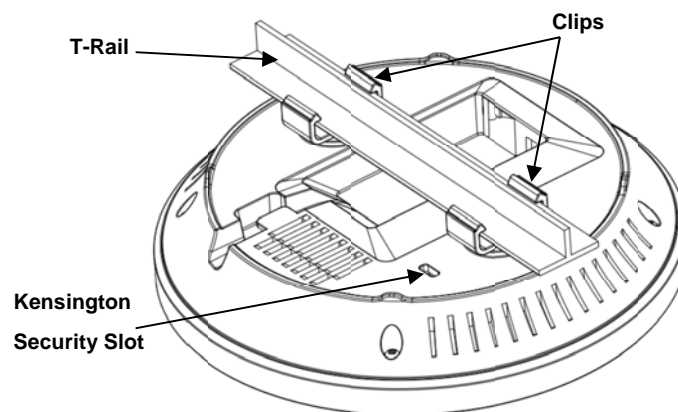


Ceiling-Mount using T-Rail connectors

1. Attach the T-rail connectors to the bottom cover of the WBSlac 3X3 unit using the provided P2.6x10 screws. Two sizes of T-rail connectors are included in the mounting hardware kit. If extra space is required to accommodate drop ceiling tiles, use the provided spacers and P2.6x25 screws.



2. Line up the connected T-rail connectors with an appropriately sized rail and press the unit onto the rail until it snaps into place.



To protect your WBSlac 3X3 unit from unauthorized removal, use the Kensington

For further information, please contact Alvarion Technical Support at: support@alvarion.com



Security Slot to attach a cable lock (cable lock is not included).

For further information, please contact Alvarion Technical Support at: support@alvarion.com



Federal Communication Commission Interference Statement

This equipment has been tested and found to comply with the limits for a Class B digital device, pursuant to Part 15 of the FCC Rules. These limits are designed to provide reasonable protection against harmful interference in a residential installation. This equipment generates, uses and can radiate radio frequency energy and, if not installed and used in accordance with the instructions, may cause harmful interference to radio communications. However, there is no guarantee that interference will not occur in a particular installation. If this equipment does cause harmful interference to radio or television reception, which can be determined by turning the equipment off and on, the user is encouraged

- to try to correct the interference by one or more of the following measures:
- Reorient or relocate the receiving antenna.
- Increase the separation between the equipment and receiver.
- Connect the equipment into an outlet on a circuit different from that to which the receiver is connected.
- Consult the dealer or an experienced radio/TV technician for help.

FCC Caution: Any changes or modifications not expressly approved by the party responsible for compliance could void the user's authority to operate this equipment.

This device complies with Part 15 of the FCC Rules. Operation is subject to the following two conditions: (1) This device may not cause harmful interference, and (2) this device must accept any interference received, including interference that may cause undesired operation.

This device and its antenna(s) must not be co-located or operating in conjunction with any other antenna or transmitter. For product available in the USA/Canada market, only channel 1~11 can be operated. Selection of other channels is not possible. This device is restricted to indoor use.

FCC Radiation Exposure Statement:

This equipment complies with FCC radiation exposure limits set forth for an uncontrolled environment. This equipment should be installed and operated with minimum distance 20cm between the radiator & your body.

For further information, please contact Alvarion Technical Support at: support@alvarion.com

